

[54] **CLOSET ORGANIZER ACCESSORY**

[75] **Inventors: Barbara Arner, 1901 Polaris Dr., Glendale, Calif. 91208; Kenneth Tarlow, Playa del Rey, Calif.**

[73] **Assignee: Barbara Arner, Glendale, Calif.**

[**] **Term: 14 Years**

[21] **Appl. No.: 857,805**

[22] **Filed: Feb. 28, 1986**

[52] **U.S. Cl. D6/315; D6/322**

[58] **Field of Search D6/315, 320, 322, 324; 211/70, 113, 115, 163**

[56] **References Cited**

U.S. PATENT DOCUMENTS

99,298	2/1970	Doerr	D6/324
D. 136,900	4/1943	Jorgensen et al.	D6/320
D. 145,874	3/1946	Pauly	D6/324
D. 154,956	2/1948	Rochow	D6/324
D. 229,909	1/1974	Goldfeder	D6/324
D. 277,248	1/1985	Benedict	D6/324
D. 277,436	2/1985	Benedict	D6/315
D. 280,785	10/1985	Benedict	D6/324
D. 288,035	2/1987	Hollinger et al.	D6/328
928,980	7/1909	Kaufman et al.	D6/324
1,717,246	6/1929	Perling	D6/324
2,275,749	4/1941	Fisher	D6/322
2,459,417	1/1949	Dodge	211/115
2,515,293	12/1946	Carter	D6/324
2,603,360	7/1952	Block	D6/324
3,010,584	11/1961	Rutkovsky et al.	D6/324
3,028,974	8/1960	Loeb	D6/326
3,039,614	6/1962	Rutkovsky et al.	D6/324
3,042,186	7/1962	Varney	D6/324

3,060,604	10/1962	Hirshhorn	D6/324
3,135,375	6/1964	Henn et al.	D6/324
3,139,191	6/1964	King	D6/324
3,258,109	6/1966	Breitenstein et al.	D6/324
3,337,024	8/1967	Gilewski	D6/324
3,416,673	12/1968	Ballard	211/115
3,454,148	7/1969	Harrison	D6/324
3,615,003	10/1971	Rust	D6/324
3,616,966	11/1971	Schuller et al.	D6/324
3,716,165	2/1973	Patrick	D6/324
3,756,455	9/1973	Patrick	D6/324
3,785,474	1/1974	Nakamoto	D6/324
3,861,562	1/1975	Owen	D6/324
3,973,504	8/1976	Knudsen	D6/324
3,991,632	11/1976	Stephens	D6/324
4,010,868	3/1977	Rese et al.	D6/324
4,088,220	5/1978	Jacksch et al.	D6/324
4,192,563	3/1980	Laukovitch	D6/324
4,276,995	7/1981	Jennwein	D6/324
4,336,875	6/1982	Minnetti	D6/324

Primary Examiner—B. J. Bullock

Attorney, Agent, or Firm—Jerry A. Schulman; Ronald A. Sandler

[57] **CLAIM**

The ornamental design for a closet organizer accessory, as shown.

DESCRIPTION

FIG. 1 is a perspective view of the closet organizer accessory showing our new design; FIG. 2 is a front elevational view thereof; FIG. 3 is a rear elevational view thereof; FIG. 4 is a top plan view thereof; FIG. 5 is a left side elevational view thereof, the right side being a mirror image thereof; FIG. 6 is a bottom plan view thereof.

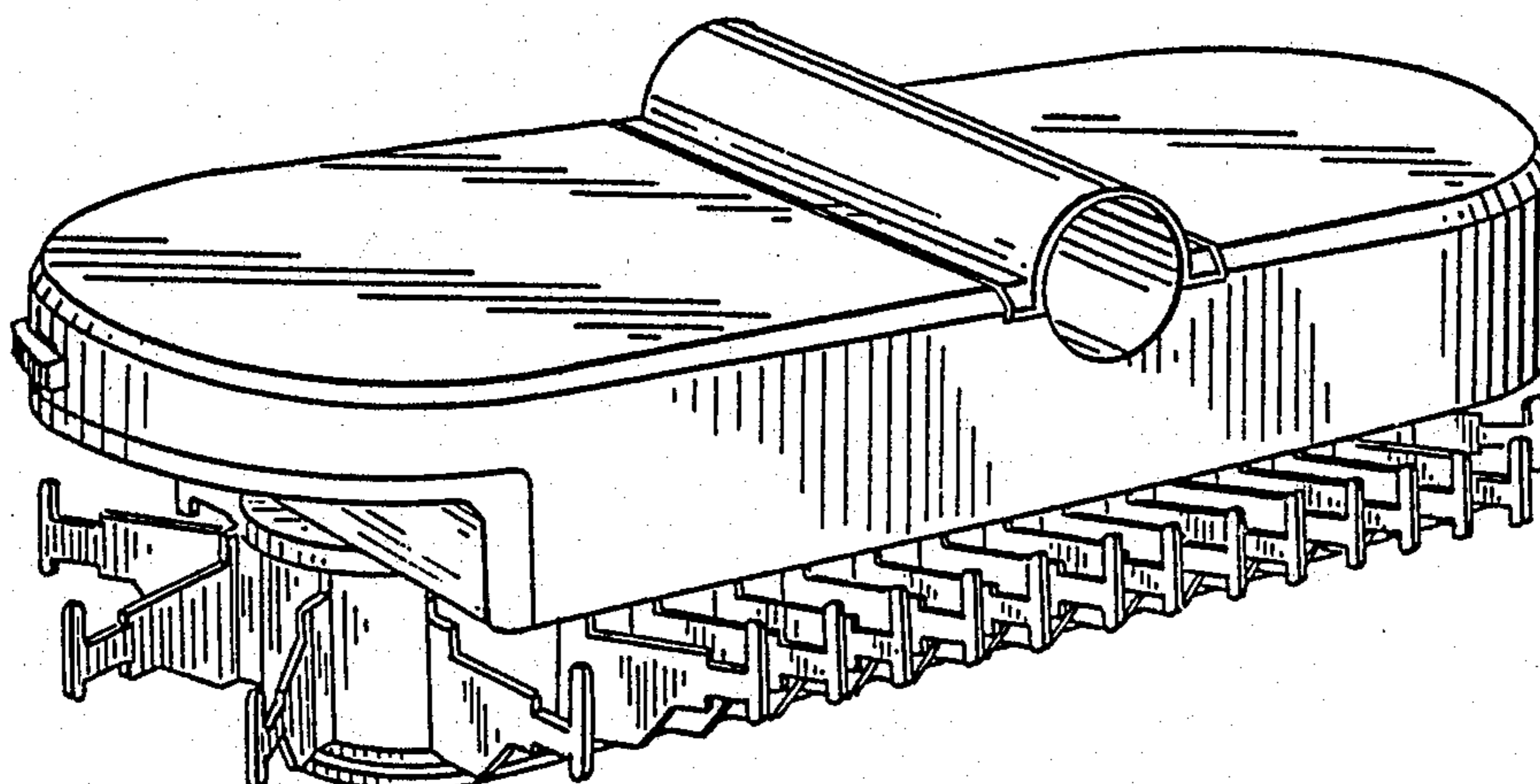


FIG. 1

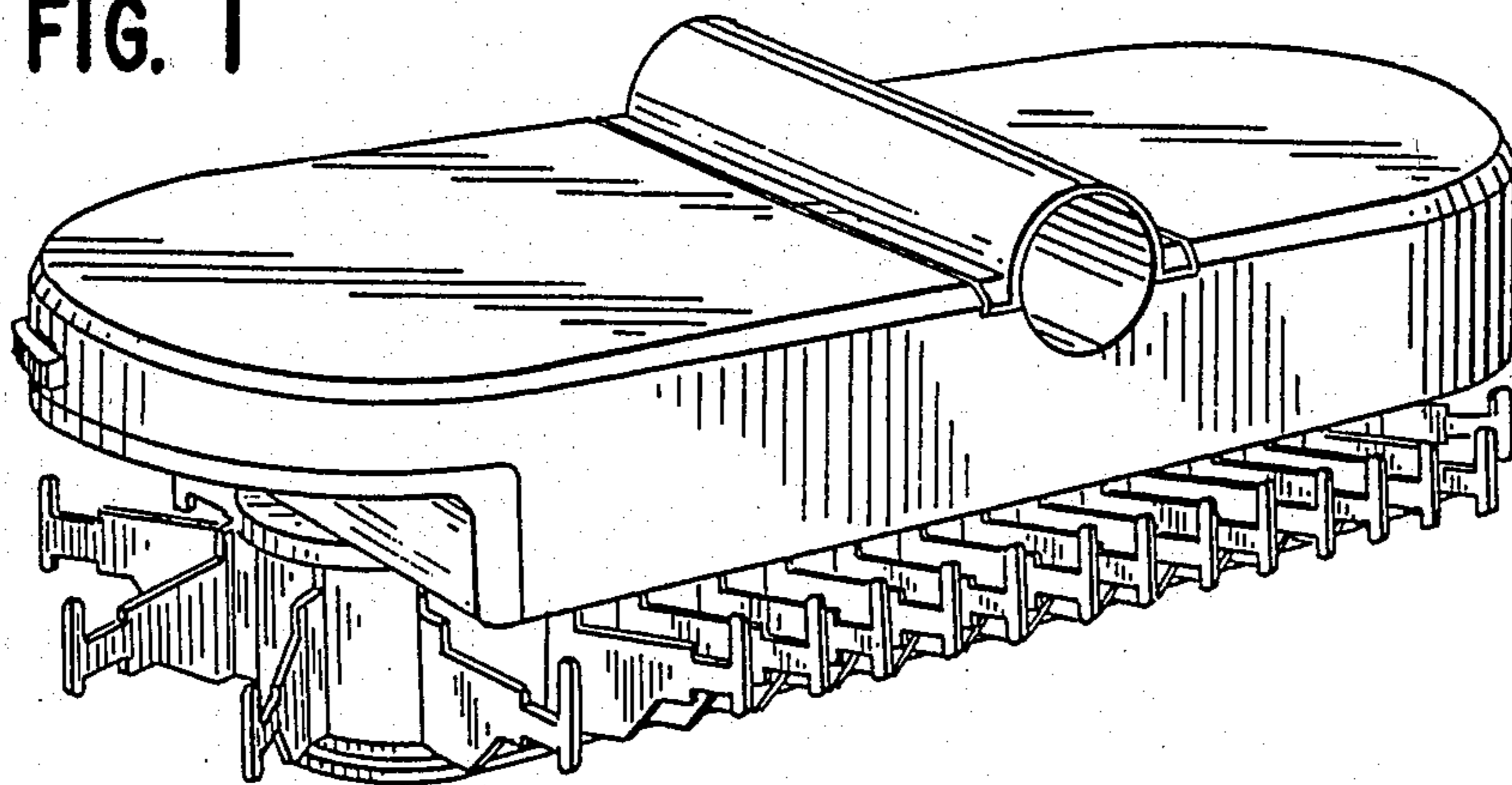


FIG. 2

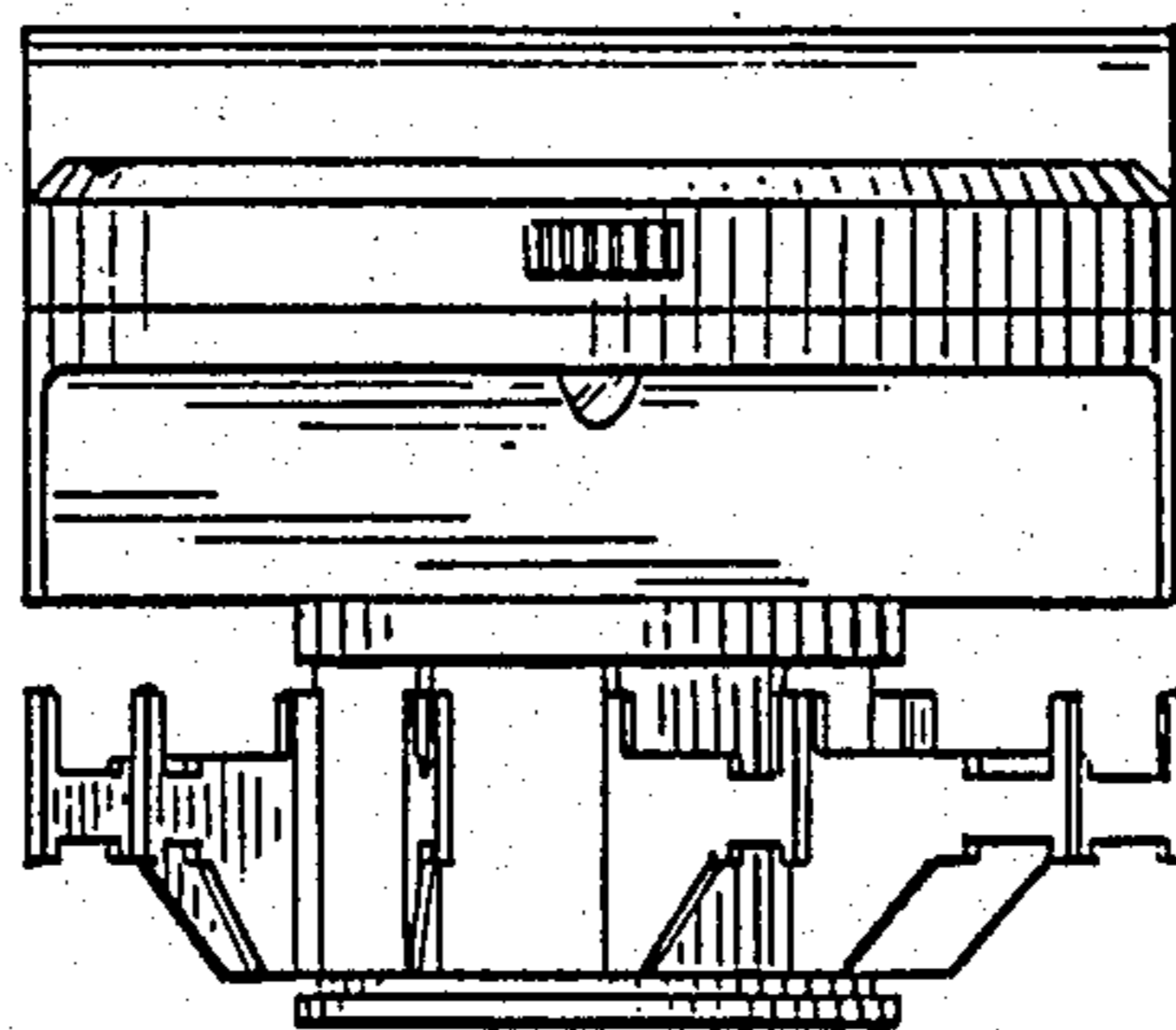
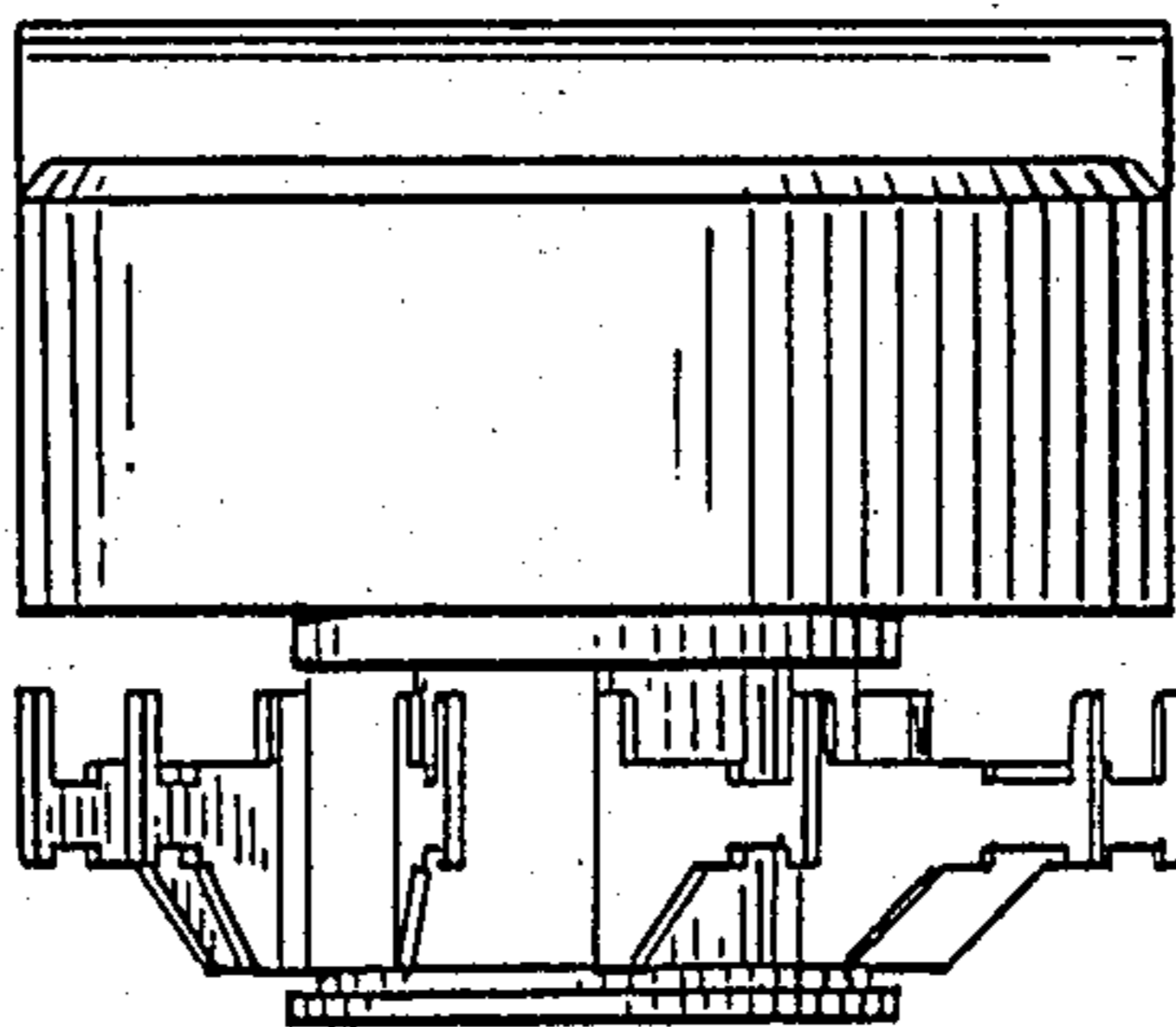


FIG. 3



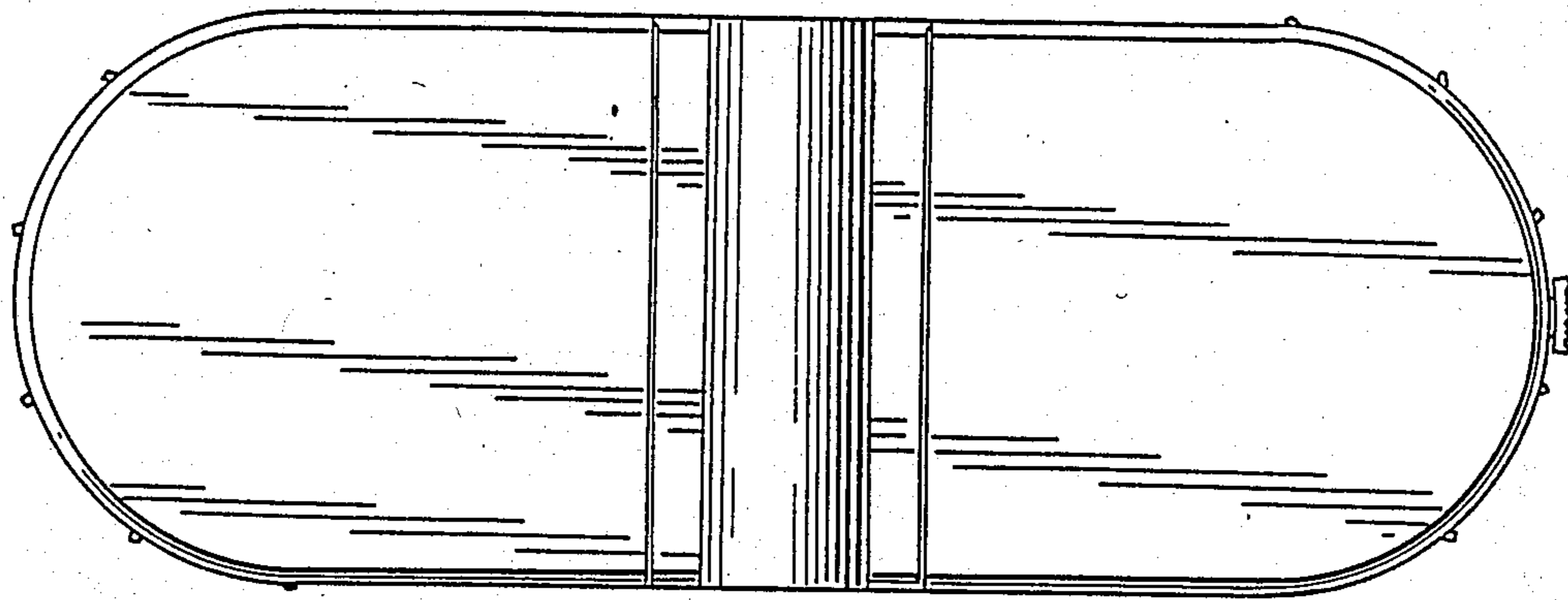


FIG. 4

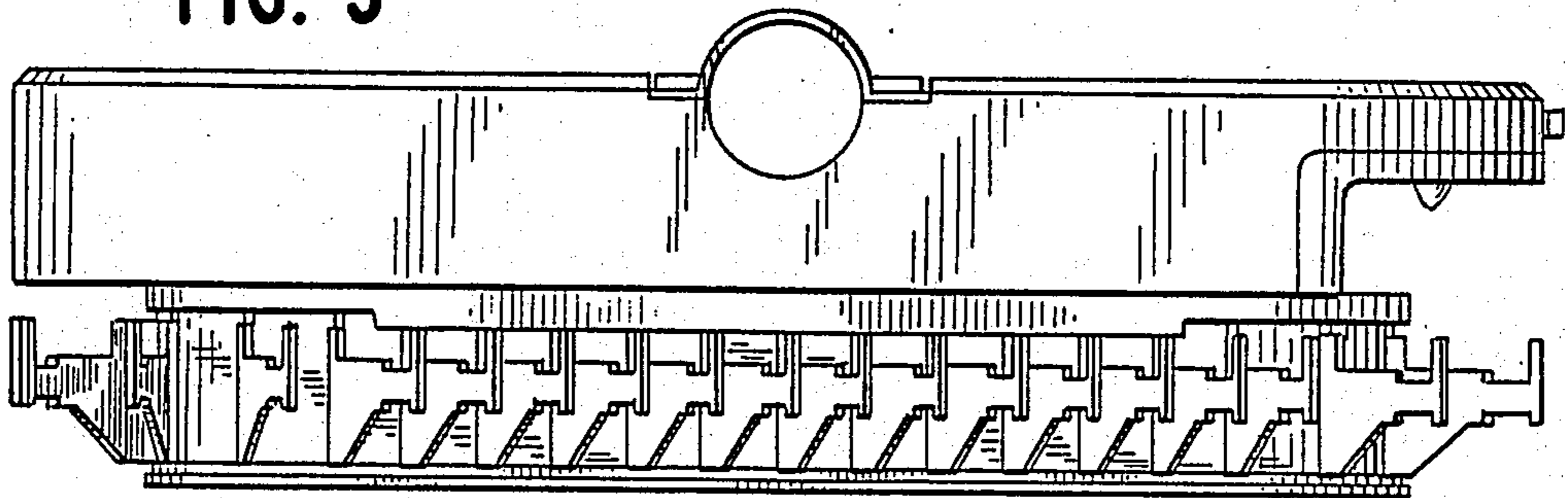


FIG. 5

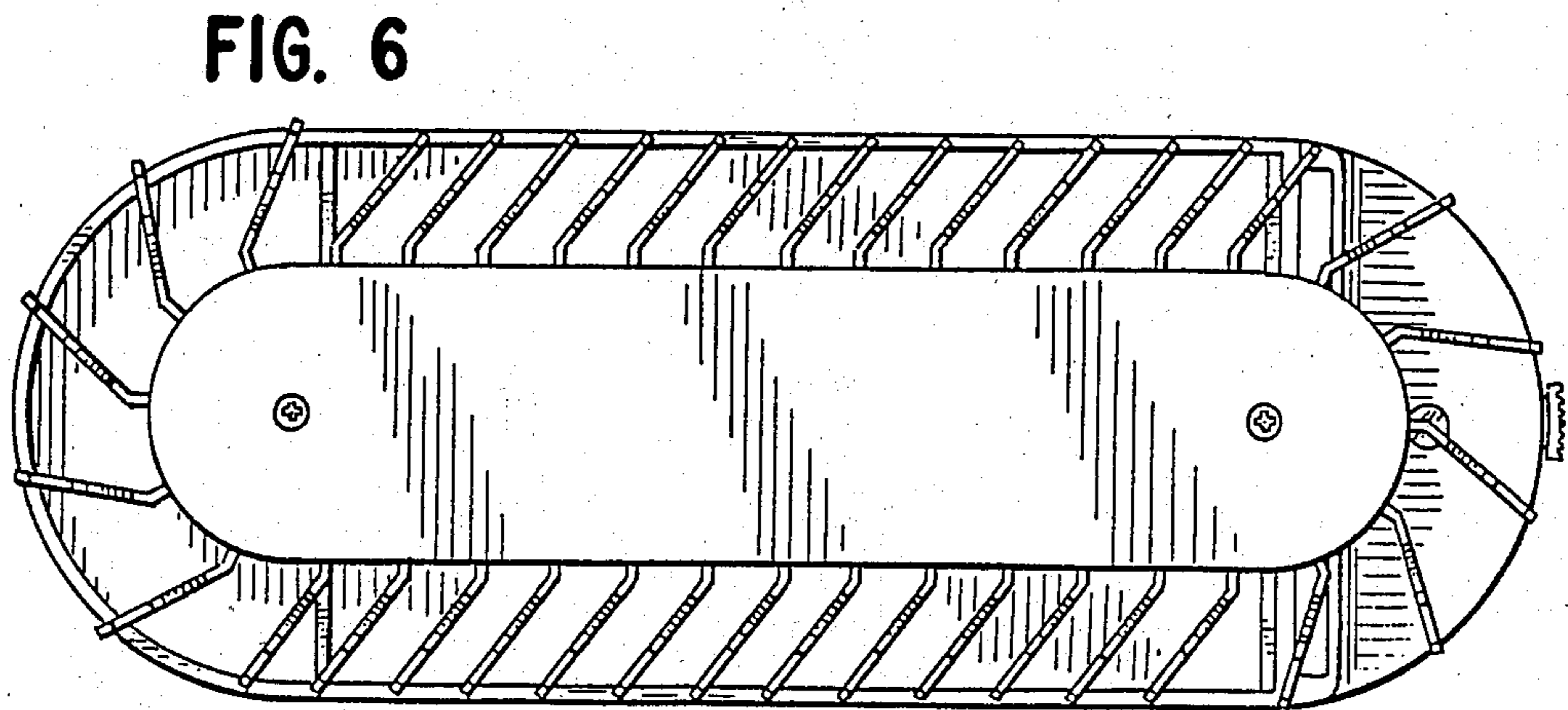


FIG. 6