

[54] CHEMICAL DISPENSING BRUSH FOR USE IN FLEA EXTERMINATING

[76] Inventors: William R. Dolan; Michael J. Dolan, both of 3951 NW. 45th Ave., Lauderdale Lakes, Fla. 33319

[\*\*] Term: 14 Years

[21] Appl. No.: 806,831

[22] Filed: Nov. 27, 1985

[52] U.S. Cl. .... D4/114

[58] Field of Search ..... D4/114, 115, 127, 130, D4/132, 134, 138; D30/158, 199; 15/159, 160; D9/338; 119/83, 85, 156, 157, 159; 401/28, 137, 138, 268, 270, 274, 277

[56] References Cited

U.S. PATENT DOCUMENTS

D. 165,109	11/1951	Petrosky	.....	D4/114
D. 185,466	6/1959	Scholl	.....	D4/129
D. 193,171	7/1962	Hulsh	.....	D4/114
D. 195,081	4/1963	Anderson	.....	D4/114
D. 197,458	2/1964	Bucknell et al.	.....	D4/115
D. 205,585	8/1966	Danielson	.....	D30/158
D. 214,260	5/1969	Yonkers	.....	D4/114
D. 226,462	3/1973	Gibbs	.....	D4/114
D. 227,824	7/1973	Spydevoid	.....	D4/116

D. 240,435	7/1976	Remijas	.....	D4/136
D. 250,436	12/1978	Johnson	.....	D9/338 X
D. 250,677	1/1979	Love	.....	D4/129
D. 251,022	2/1979	McKay	.....	D4/120
1,607,674	11/1926	Ives	.....	132/114
2,379,330	6/1945	Wilensky	.....	401/28
2,943,602	7/1960	Rundle	.....	119/156
2,988,049	6/1961	Bean	.....	119/83
4,044,724	8/1977	Merchill	.....	119/83
4,237,822	12/1980	Kaiser, Jr.	.....	119/85
4,343,265	8/1982	Belschmer	.....	119/83
4,543,913	10/1985	Wilkeson	.....	401/28

Primary Examiner—James M. Gandy  
Attorney, Agent, or Firm—Terry M. Gernstein

[57] CLAIM

The ornamental design for a chemical dispensing brush for use in flea exterminating, as shown and described.

DESCRIPTION

FIG. 1 is a perspective view of a chemical dispensing brush for use in flea exterminating showing our new design.

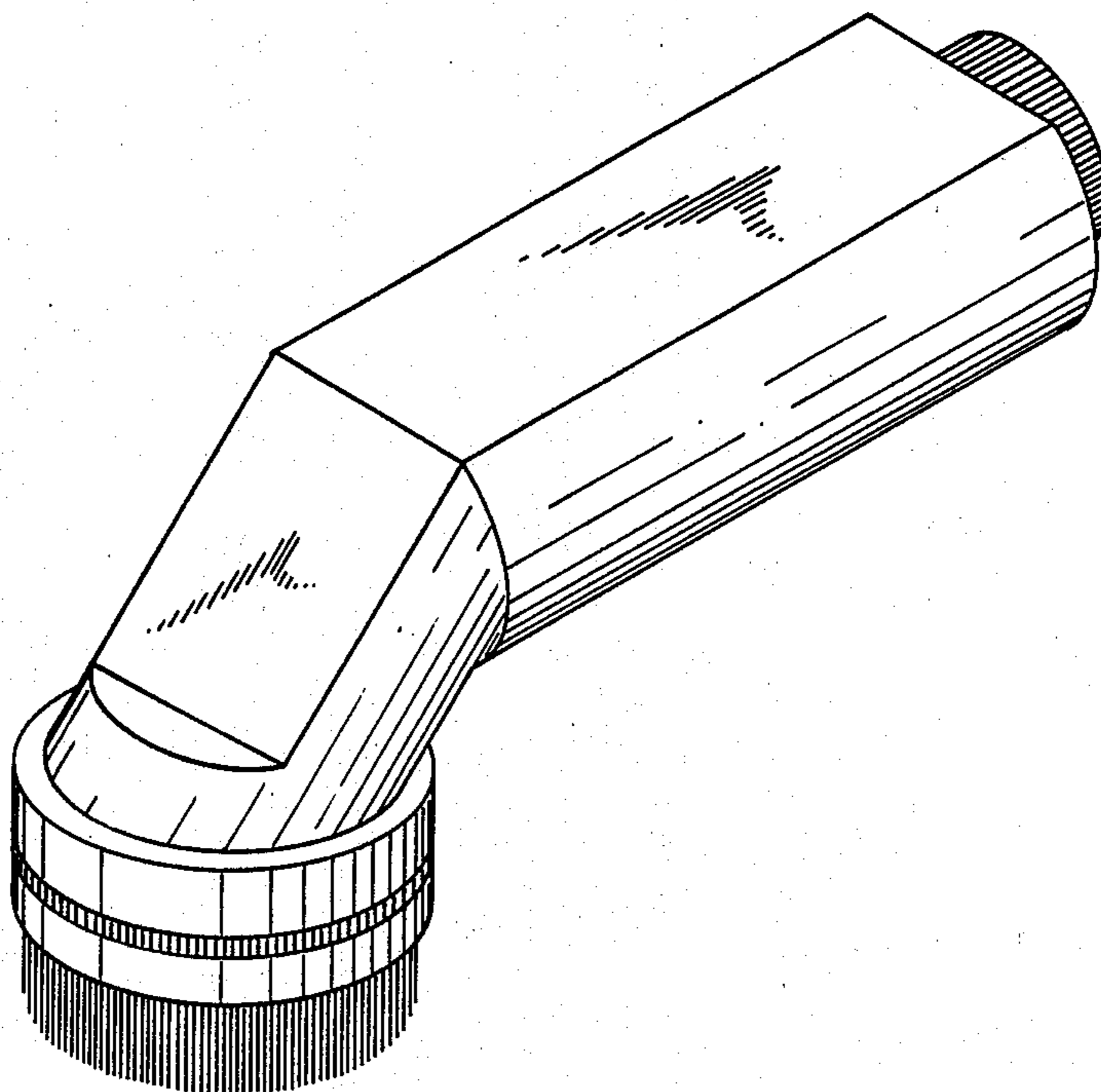
FIG. 2 is a top plan view thereof.

FIG. 3 is a left end elevation view thereof.

FIG. 4 is a side elevational view, the opposite side being a mirror image thereof.

FIG. 5 is a right end elevation view thereof.

FIG. 6 is a bottom plan view thereof.



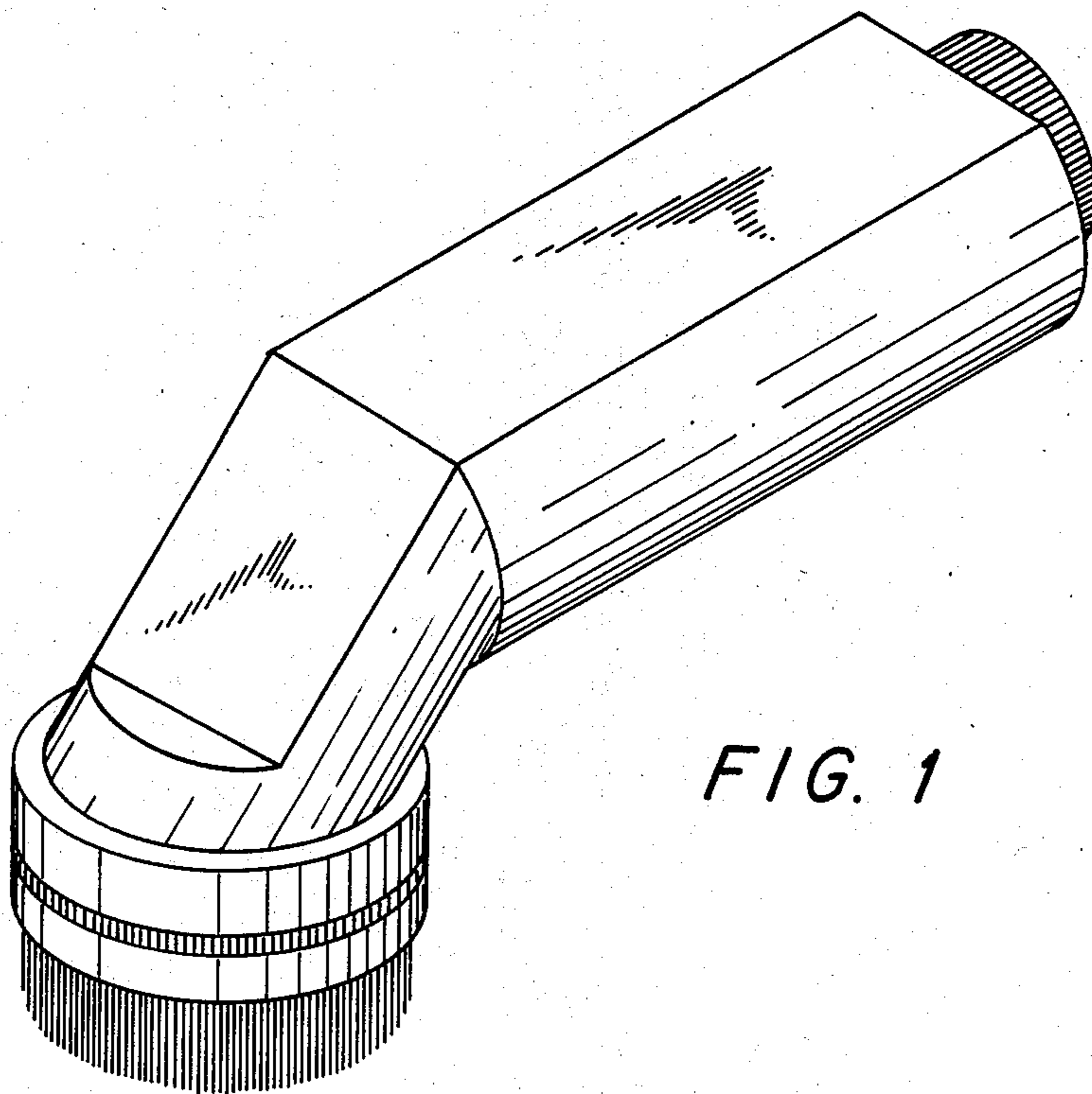


FIG. 1

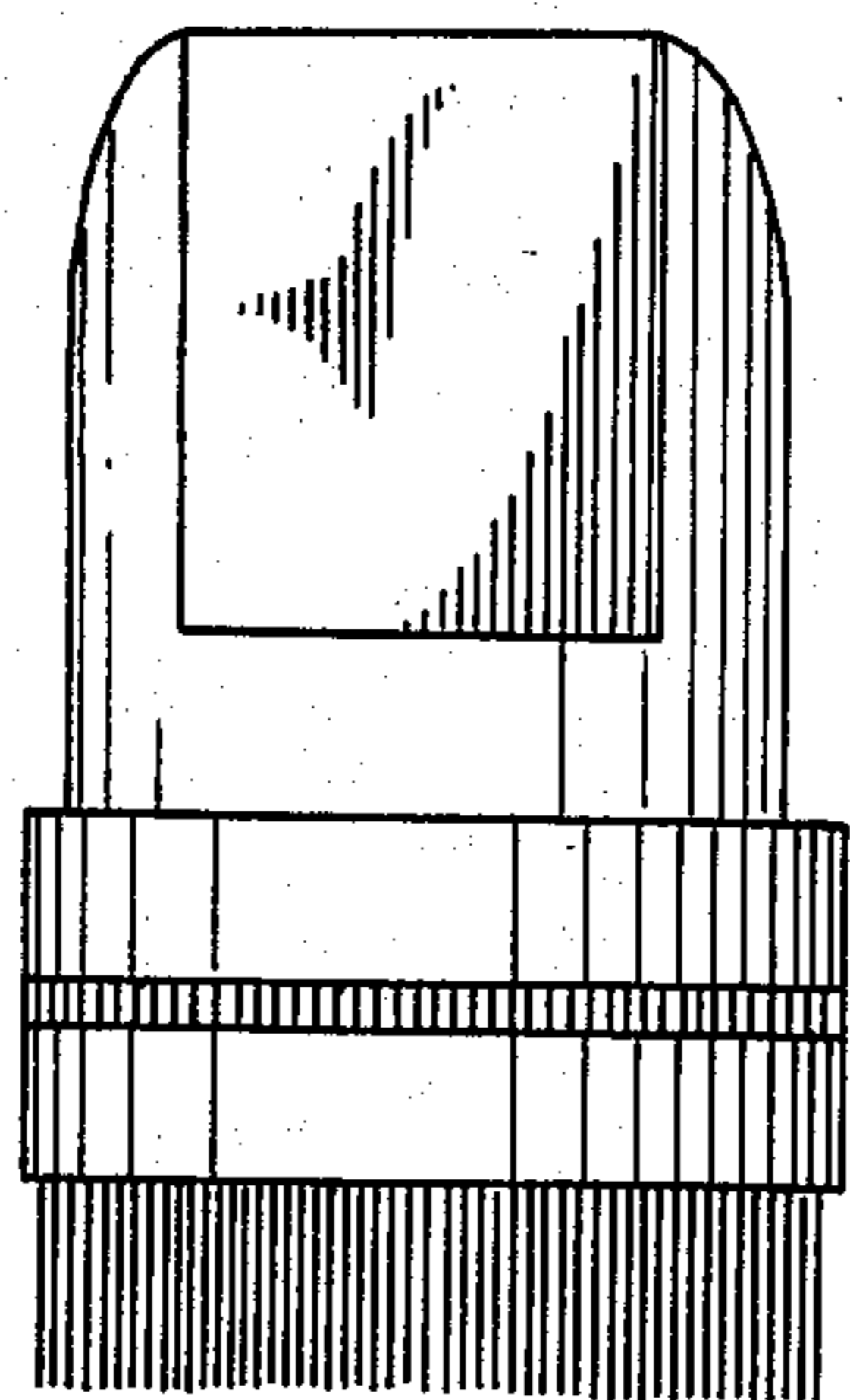


FIG. 3

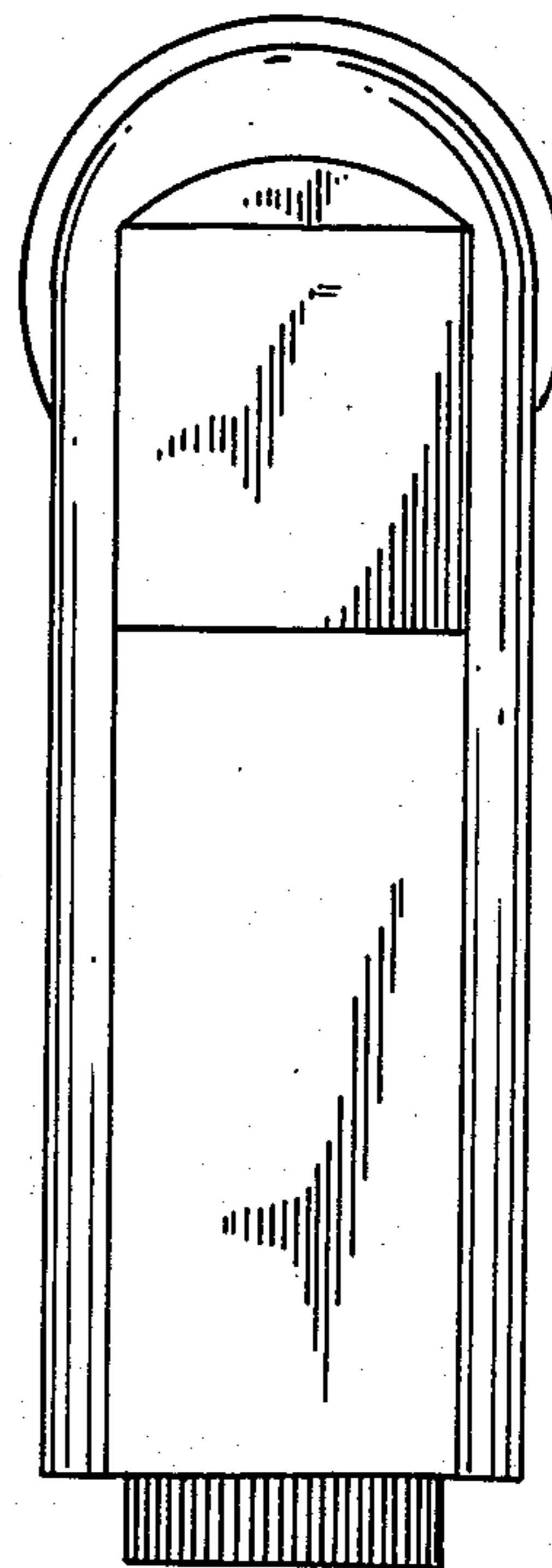


FIG. 2

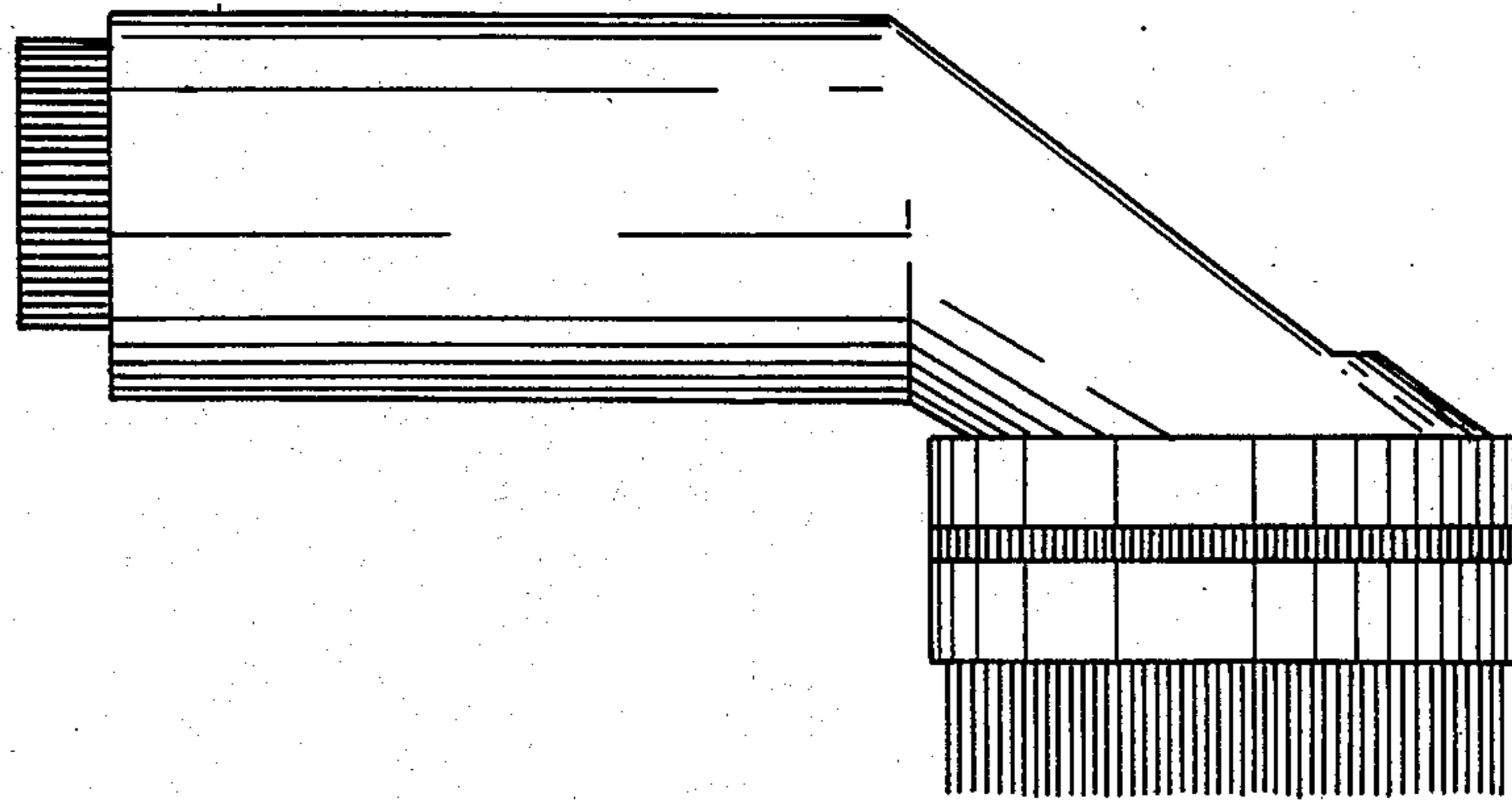


FIG. 4

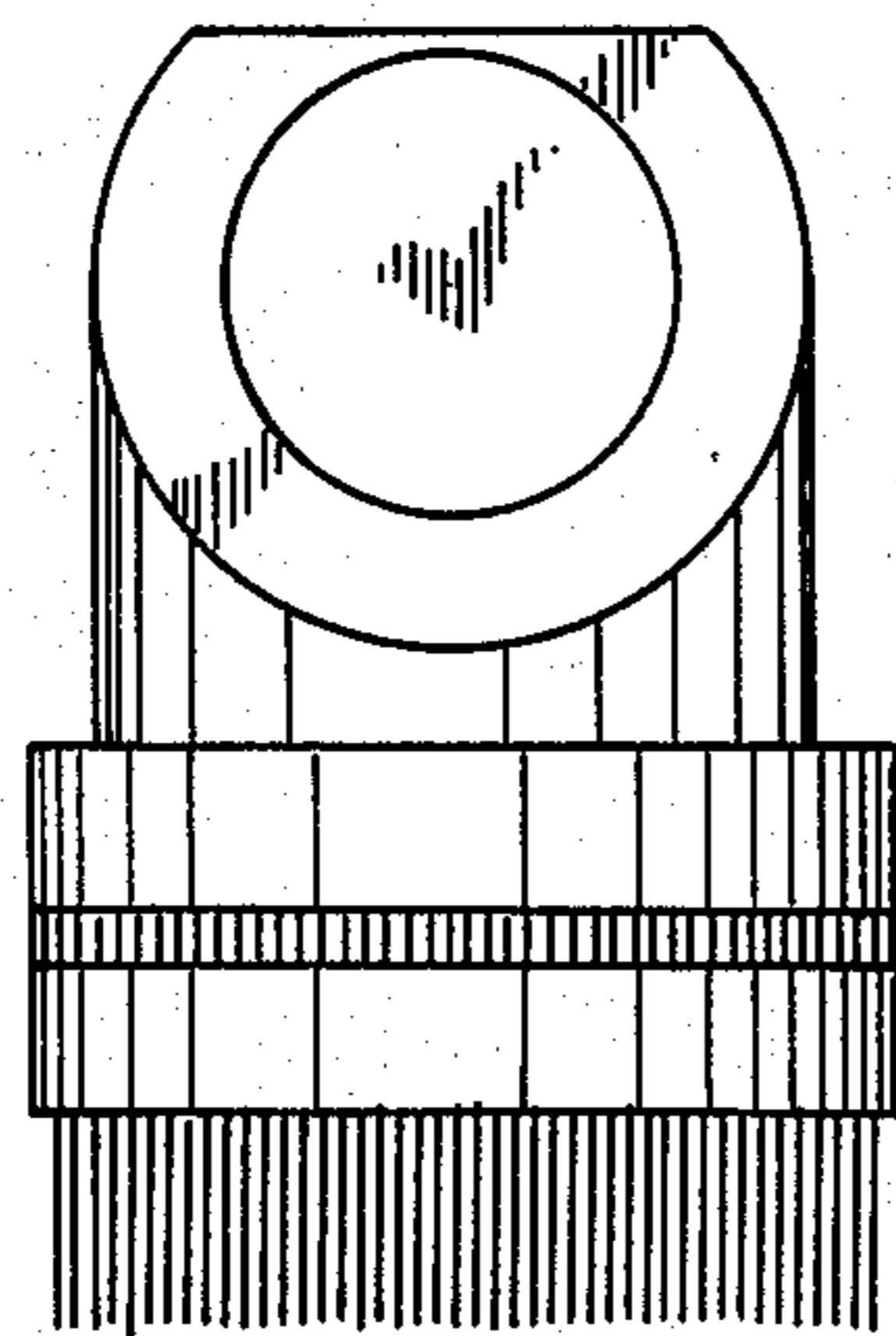


FIG. 5

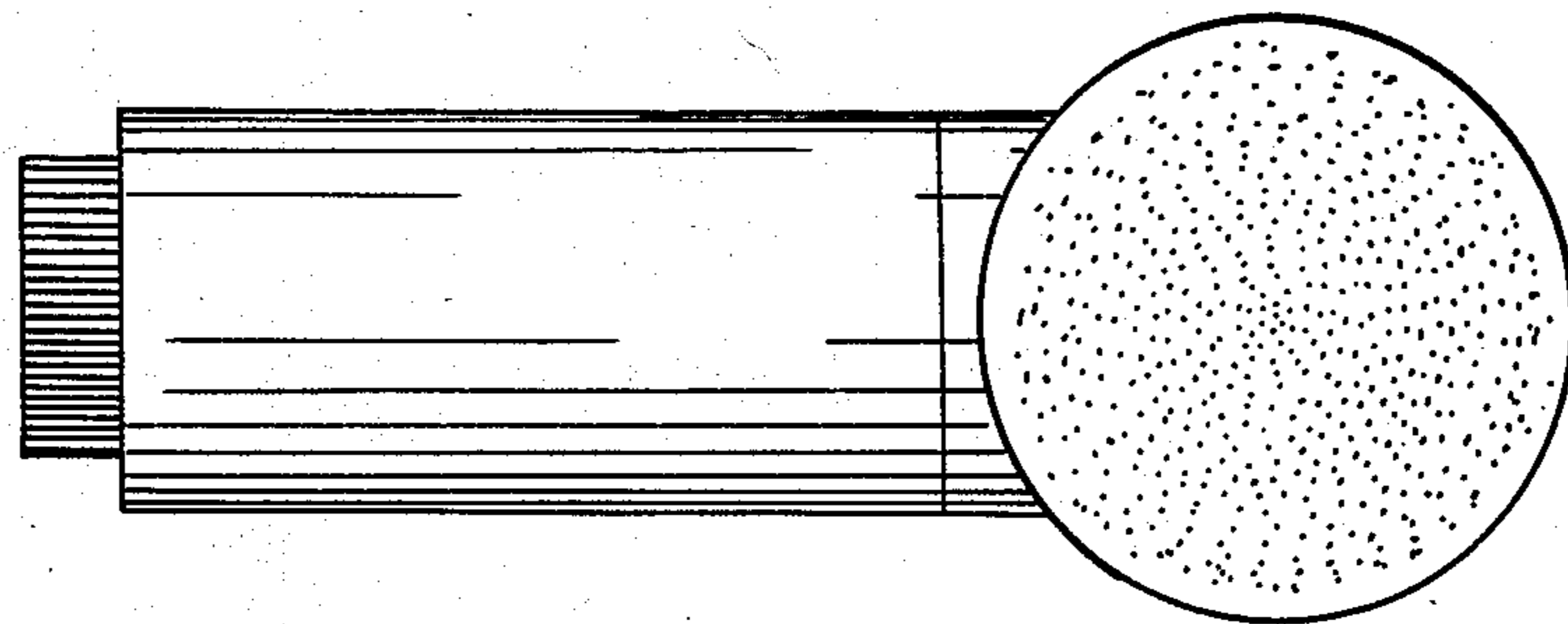


FIG. 6