

United States Patent [19]

Long et al.

[11] Patent Number: **Des. 298,574**

[45] Date of Patent: **** Nov. 15, 1988**

[54] **TIME LOCKING CIGARETTE CASE**

[76] Inventors: **Larry L. Long, 620 Liberty Ave.;
Clifford G. Long, Meadowbrook Dr.,
both of Johnstown, Pa. 15905**

[**] Term: **14 Years**

[21] Appl. No.: **590,515**

[22] Filed: **Mar. 16, 1984**

[52] U.S. Cl. **D27/187; D27/189**

[58] Field of Search **D27/43, 46-49;
206/242-276, 86**

[56] **References Cited**

U.S. PATENT DOCUMENTS

2,649,753 8/1953 Doye, Jr. 206/236 X
2,681,560 6/1954 Shuttleworth et al. 206/86 X
2,812,851 11/1957 Kinnebrew 206/236

3,206,957 9/1965 Reitzes 206/265 X
3,424,123 1/1969 Giffard 206/86 X
4,076,118 2/1978 Karlsson 206/86 X

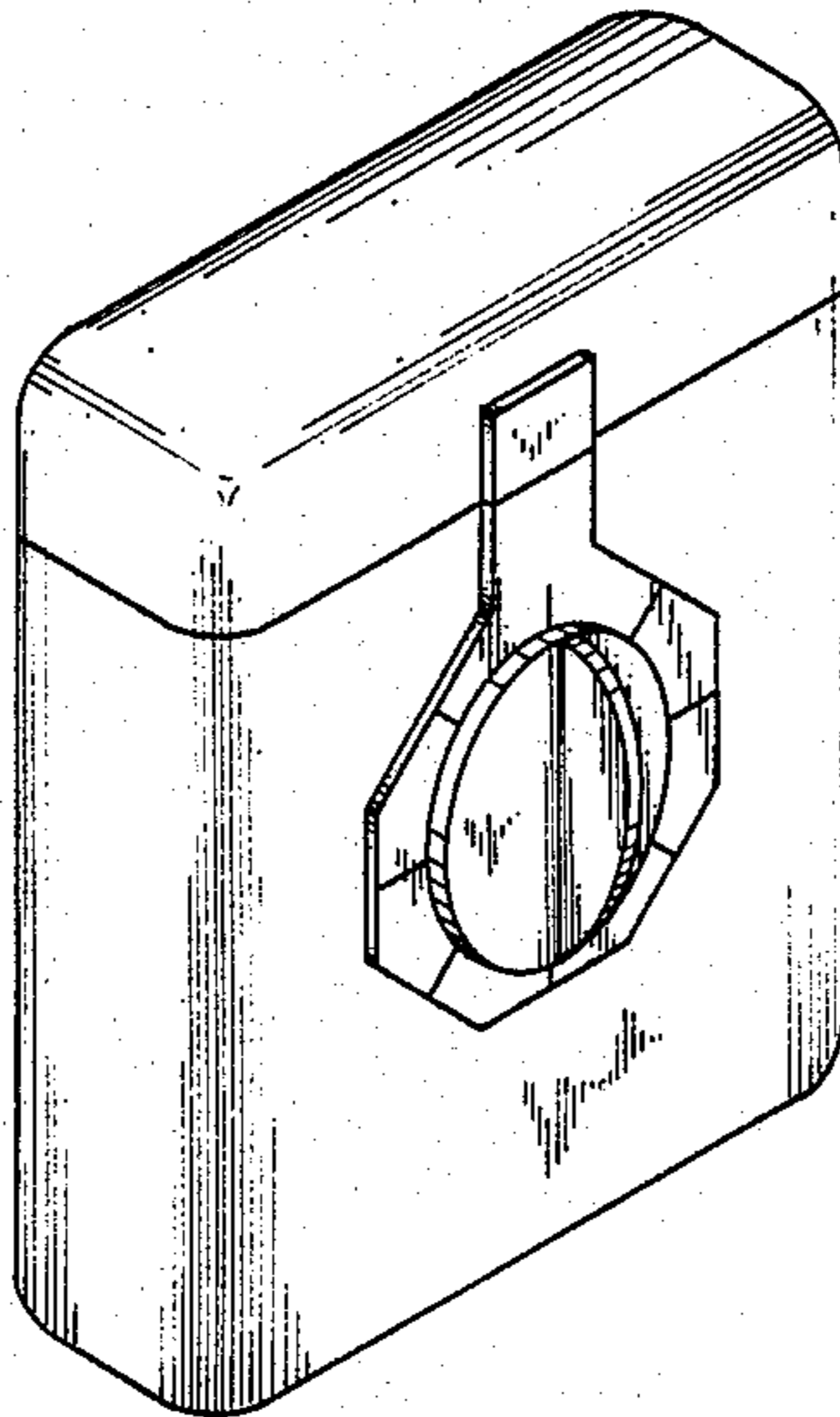
Primary Examiner—Catherine E. Kemper
Attorney, Agent, or Firm—Terry M. Gernstein

[57] **CLAIM**

The ornamental design for time locking cigarette case, as shown.

DESCRIPTION

FIG. 1 is a perspective view of a time locking cigarette case showing my new design;
FIG. 2 is a top plan view thereof;
FIG. 3 is a bottom plan view thereof;
FIG. 4 is a front end elevational view thereof;
FIG. 5 is a rear end elevational view thereof;
FIG. 6 is a left elevational view thereof, and,
FIG. 7 is a right side elevational view thereof.



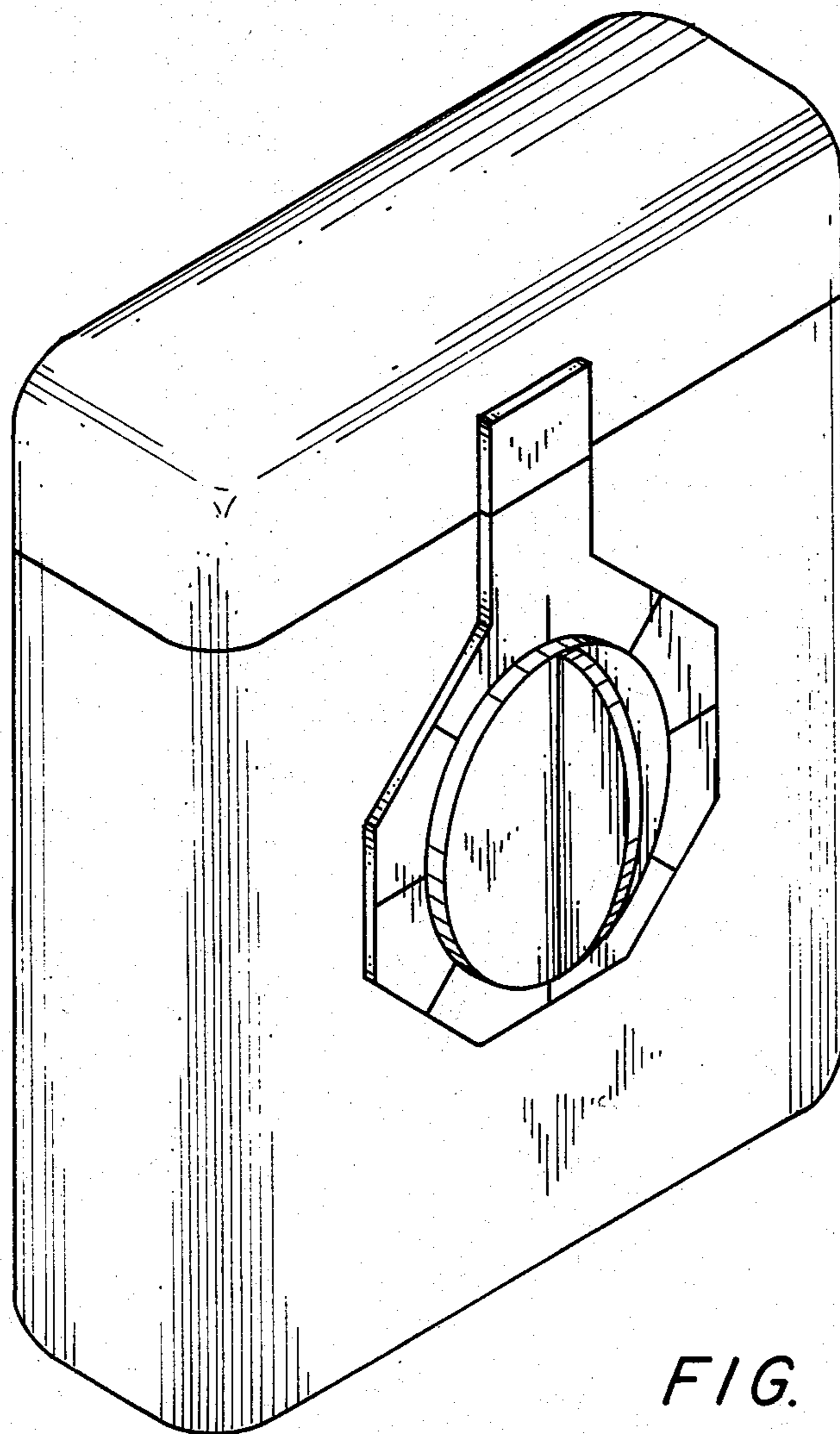


FIG. 1

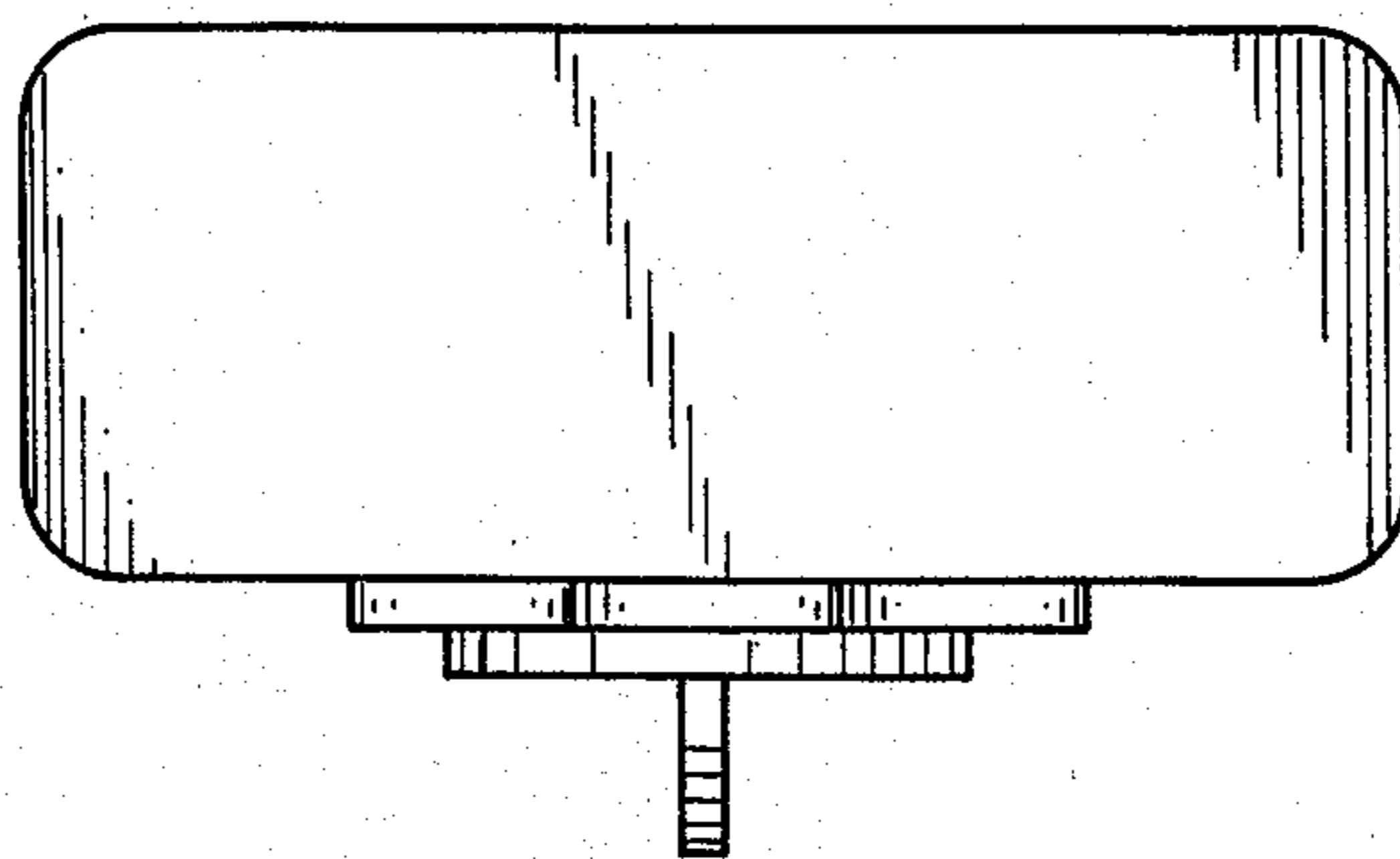


FIG. 2

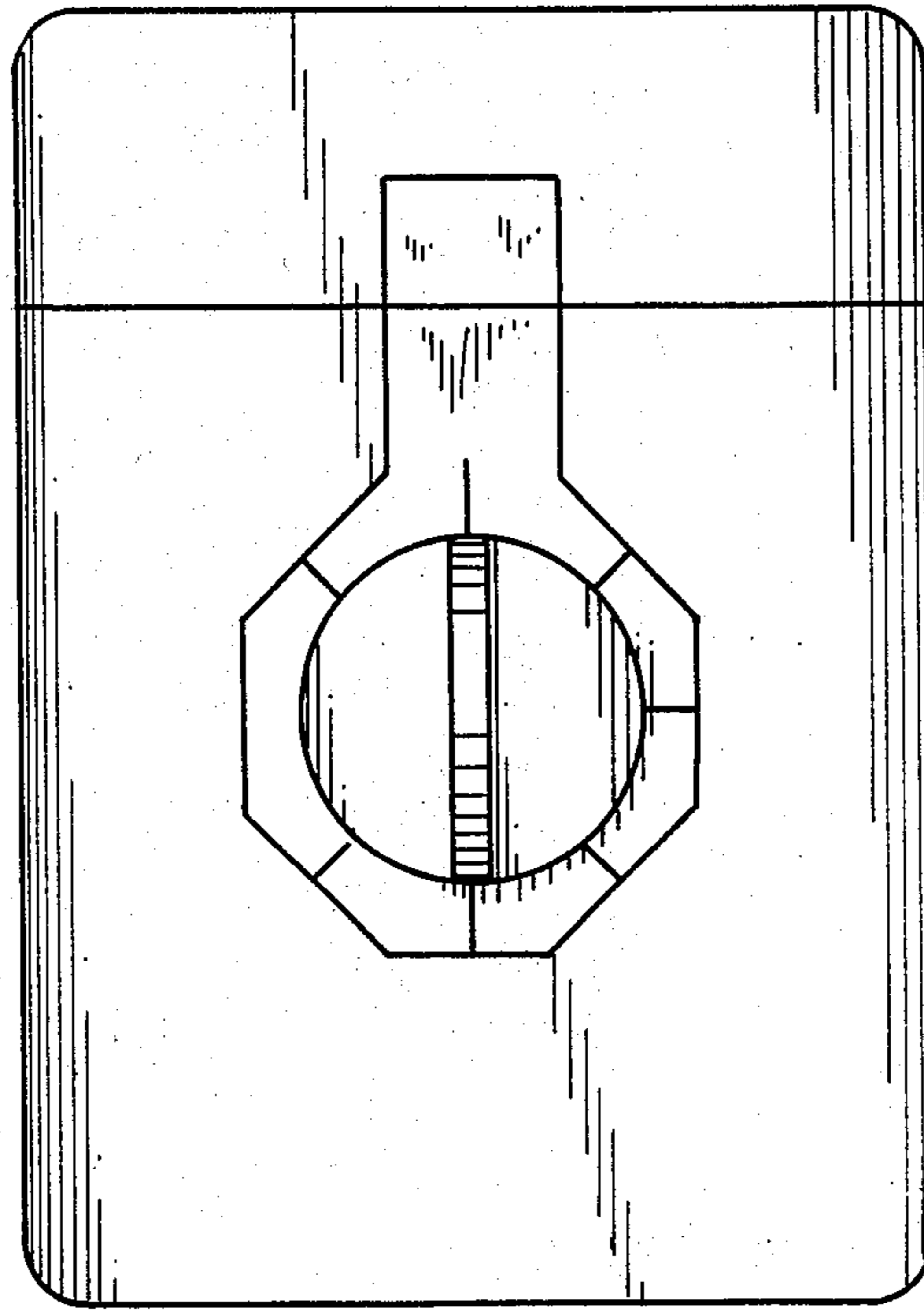


FIG. 4

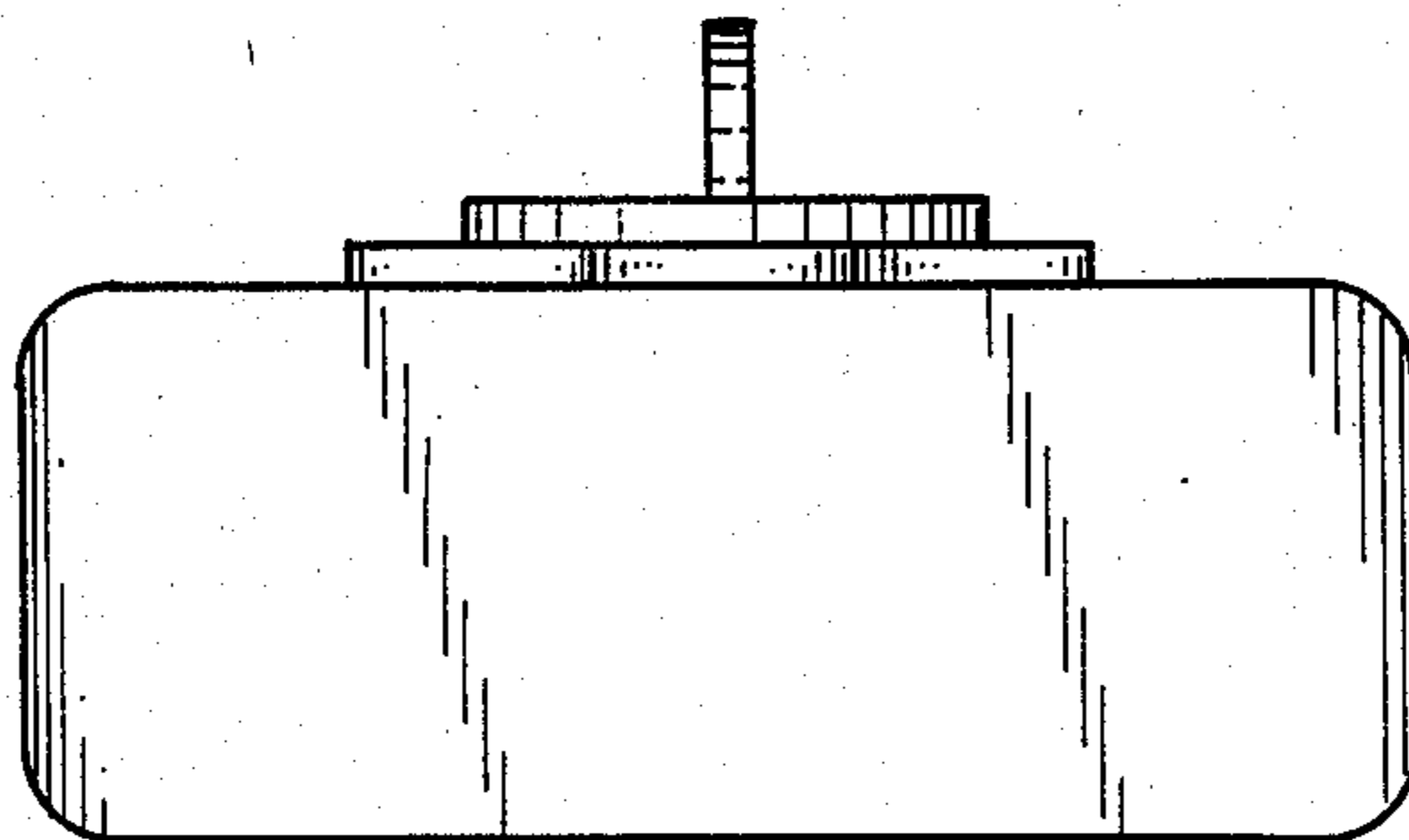


FIG. 3

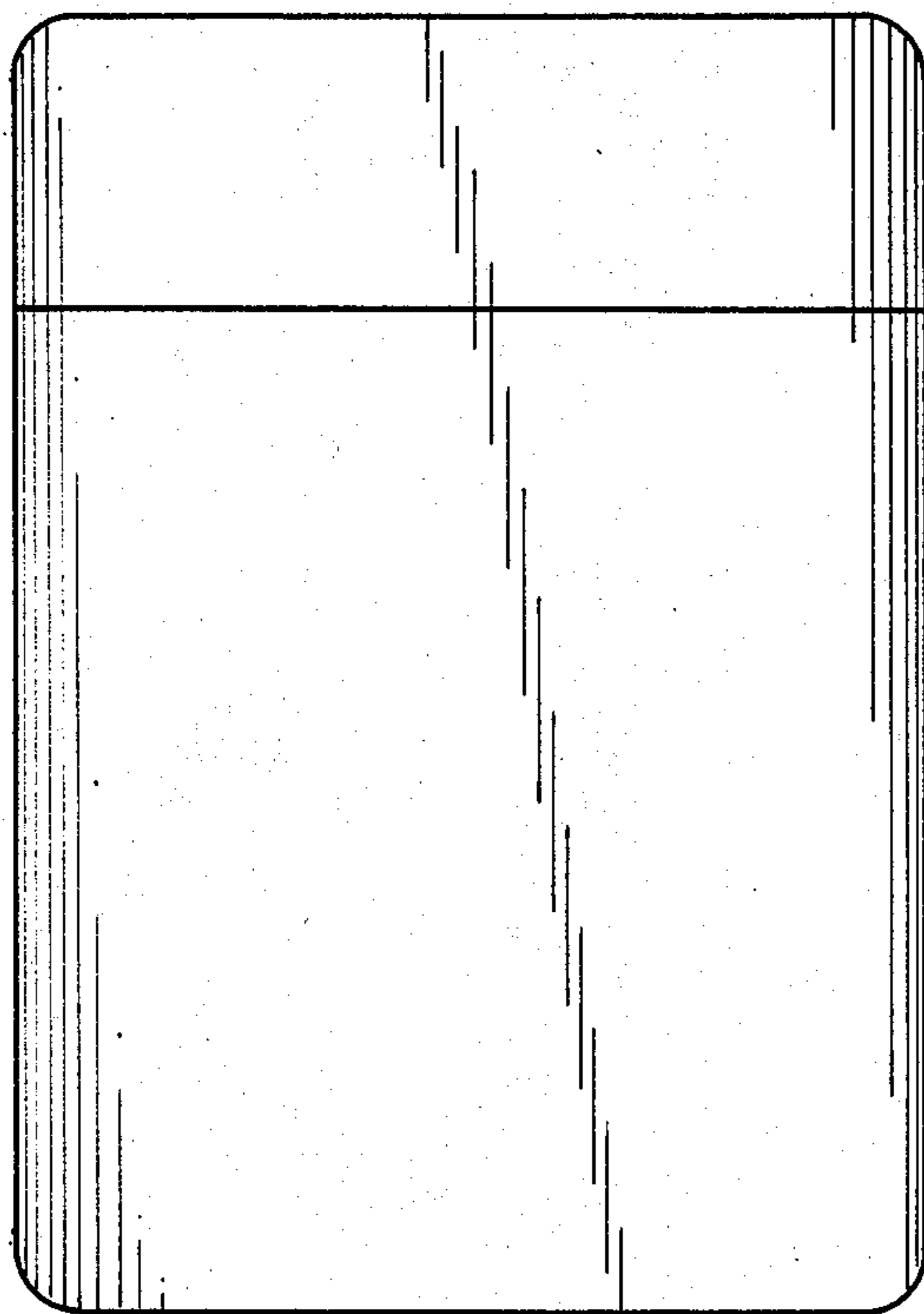


FIG. 5

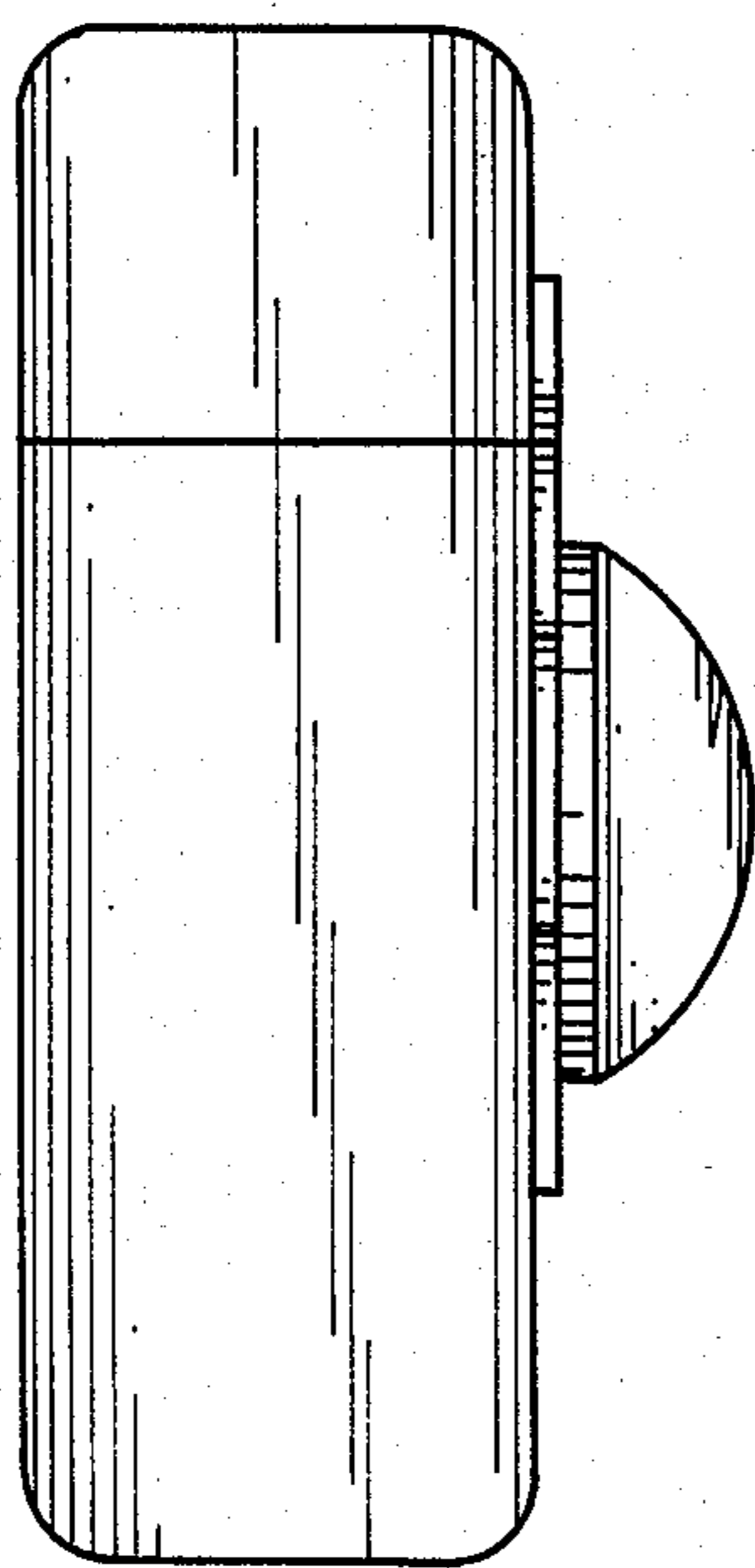


FIG. 6

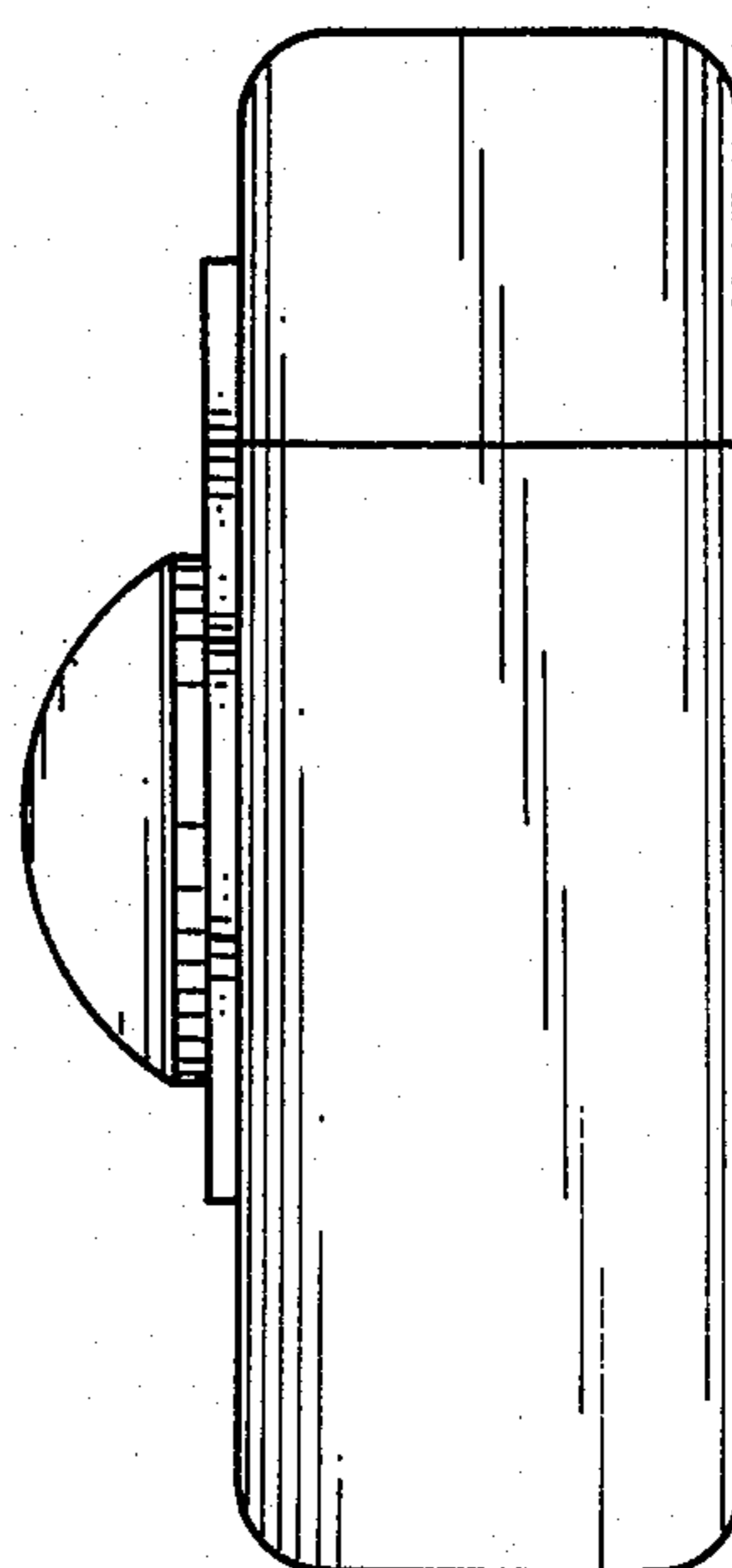


FIG. 7