

[54] **RECONFIGURABLE ANIMAL TOY  
BUFFALO**

[75] **Inventor: Teruo Kitamura, Tokyo, Japan**

[73] **Assignee: Takara Co., Ltd., Tokyo, Japan**

[\*\*] **Term: 14 Years**

[21] **Appl. No.: 823,466**

[22] **Filed: Jan. 28, 1986**

[30] **Foreign Application Priority Data**

Dec. 13, 1985 [JP] Japan ..... 60-51841

[52] **U.S. Cl. .... D21/150; D21/148**

[58] **Field of Search ..... D21/150, 148;  
446/71-75, 99, 100, 376, 487**

[56] **References Cited**

**U.S. PATENT DOCUMENTS**

D. 287,038 12/1986 Ohno ..... D21/148

*Primary Examiner*—Melvin B. Feifer

*Attorney, Agent, or Firm*—Price, Gess & Ubell

[57] **CLAIM**

The ornamental design for a reconfigurable animal toy buffalo, as shown and described.

**DESCRIPTION**

FIG. 1 is a front side perspective view of a reconfigurable animal toy buffalo showing my new design;  
FIG. 2 is a front elevational view thereof;  
FIG. 3 is a right side elevational view thereof, the side opposite being a substantially mirror image;  
FIG. 4 is a rear elevational view thereof;  
FIG. 5 is a top plan view thereof;  
FIG. 6 is a bottom plan view thereof;  
FIG. 7 is a front side perspective view of the toy reconfigured into robotic humanoid configuration;  
FIG. 8 is a front elevational view thereof;  
FIG. 9 is a right side elevational view thereof, the side opposite being a substantially mirror image;  
FIG. 10 is a rear elevational view thereof;  
FIG. 11 is a top plan view thereof;  
FIG. 12 is a bottom plan view thereof.

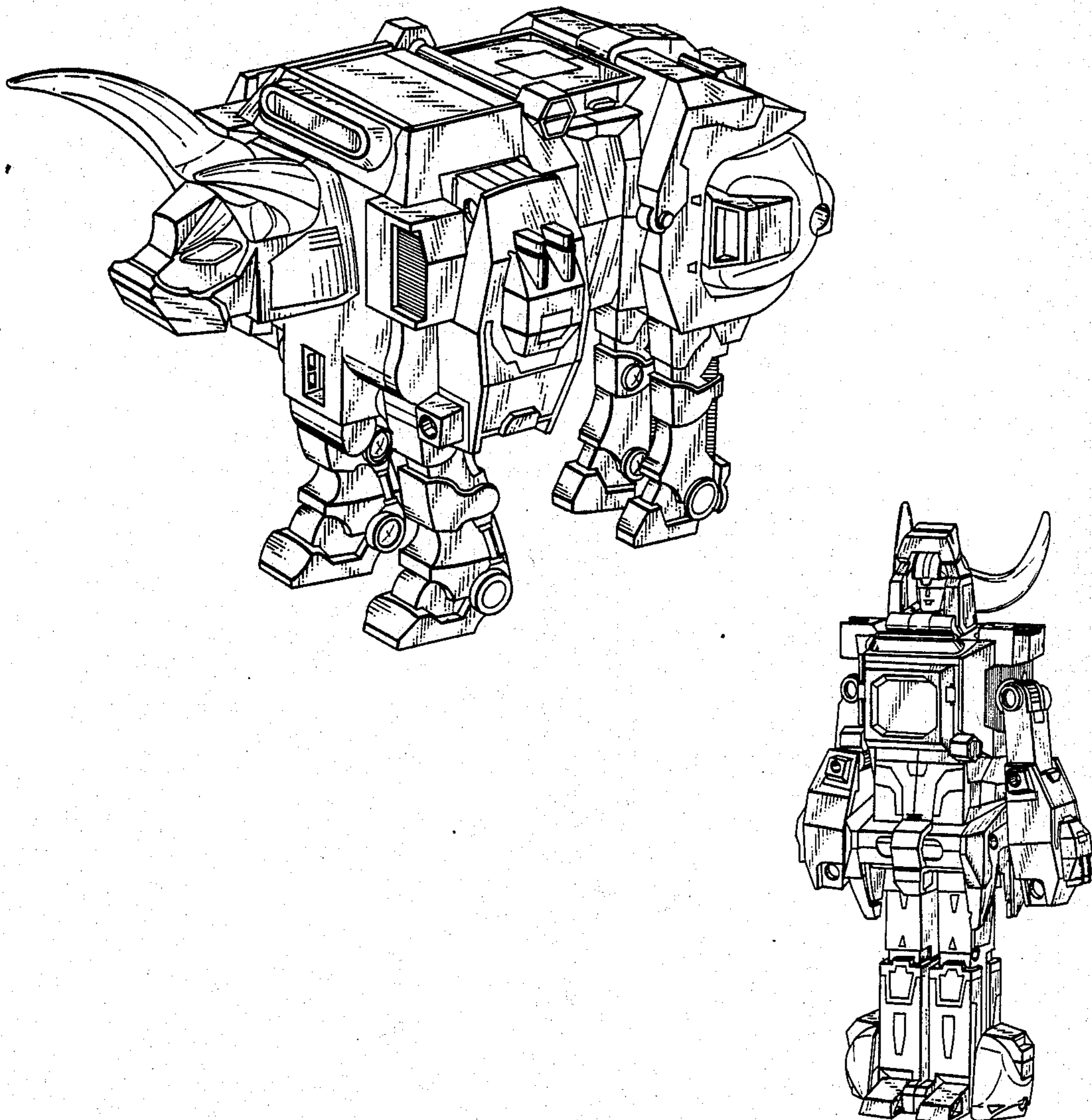


FIG. 1

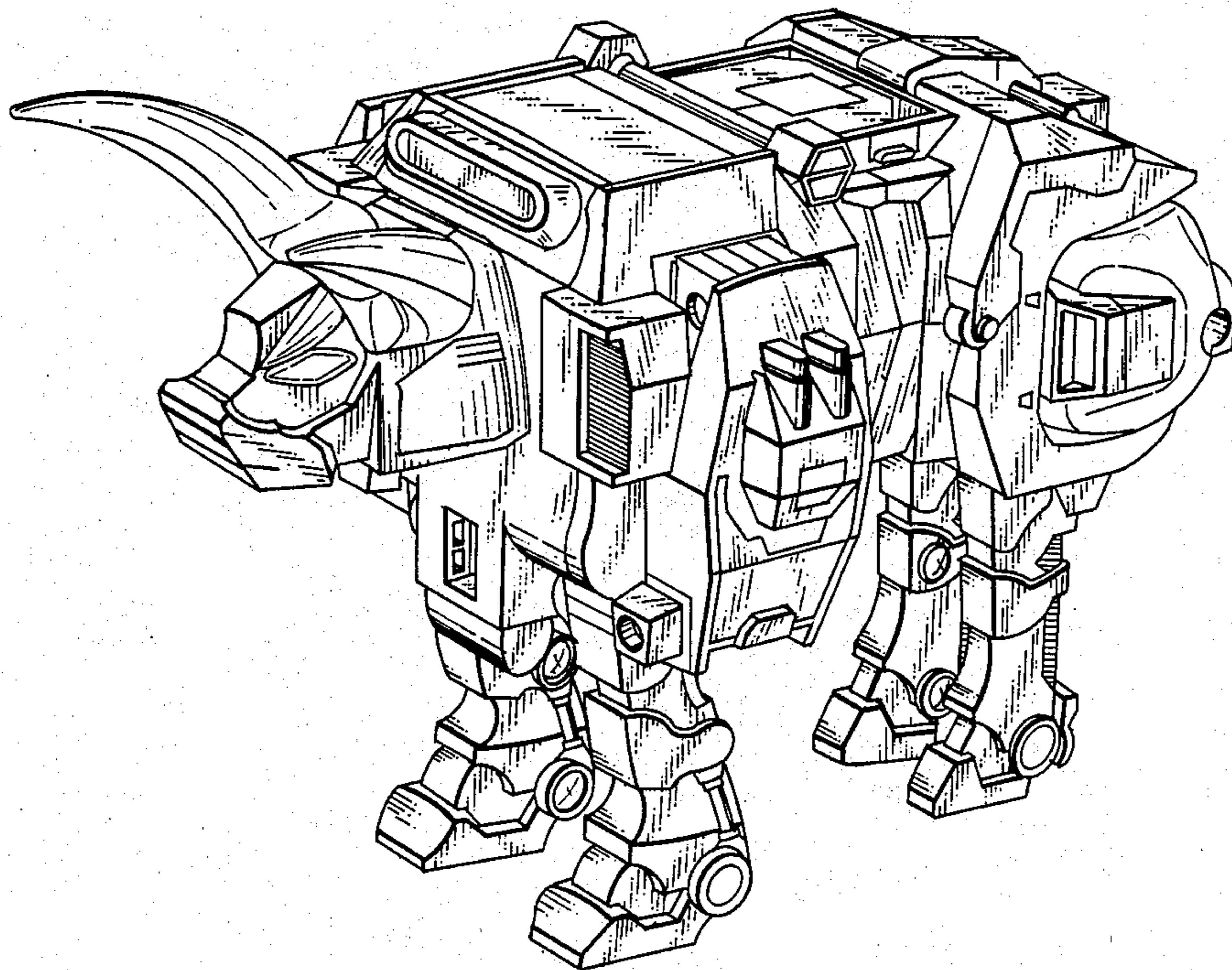


FIG. 2

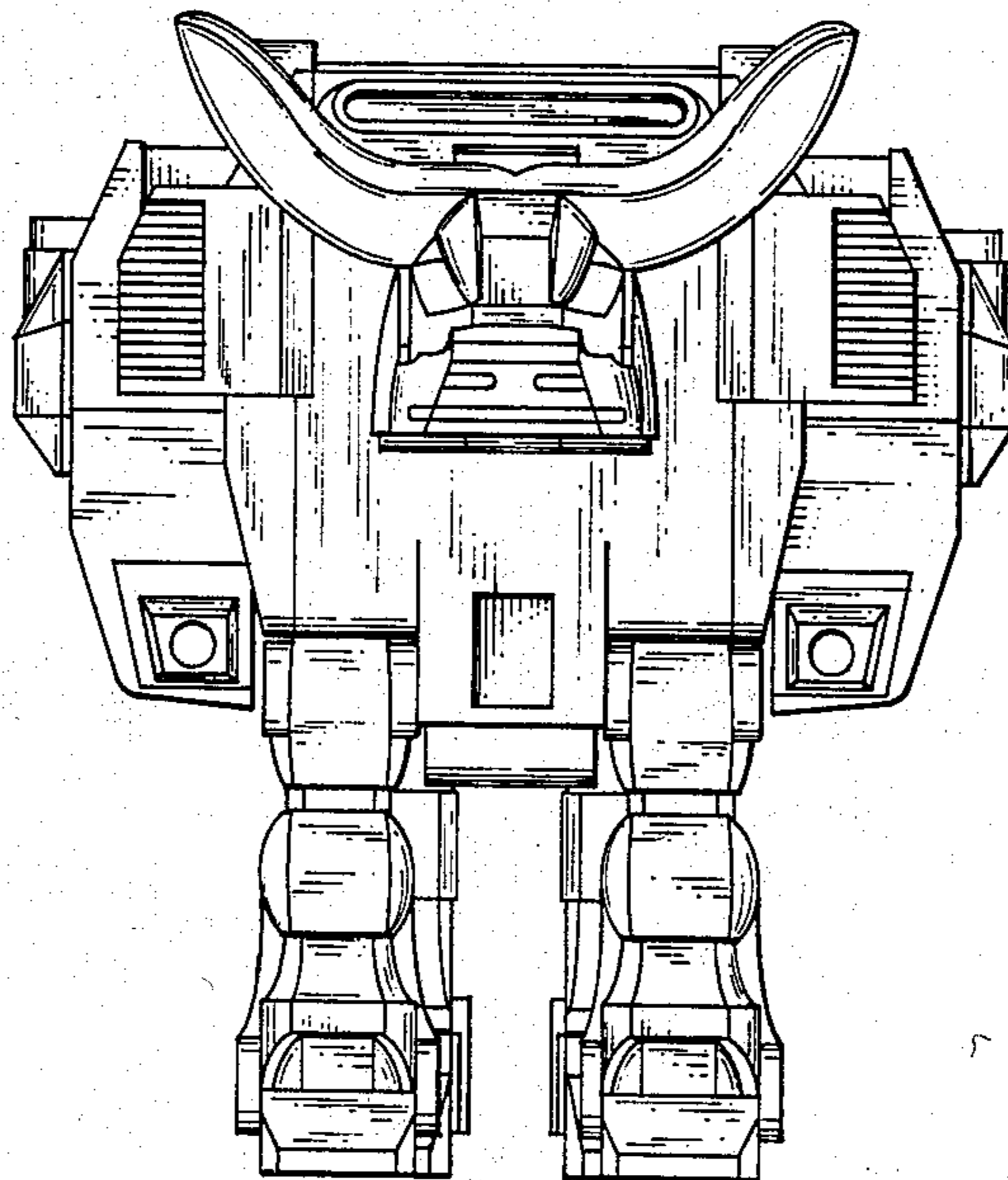


FIG. 4

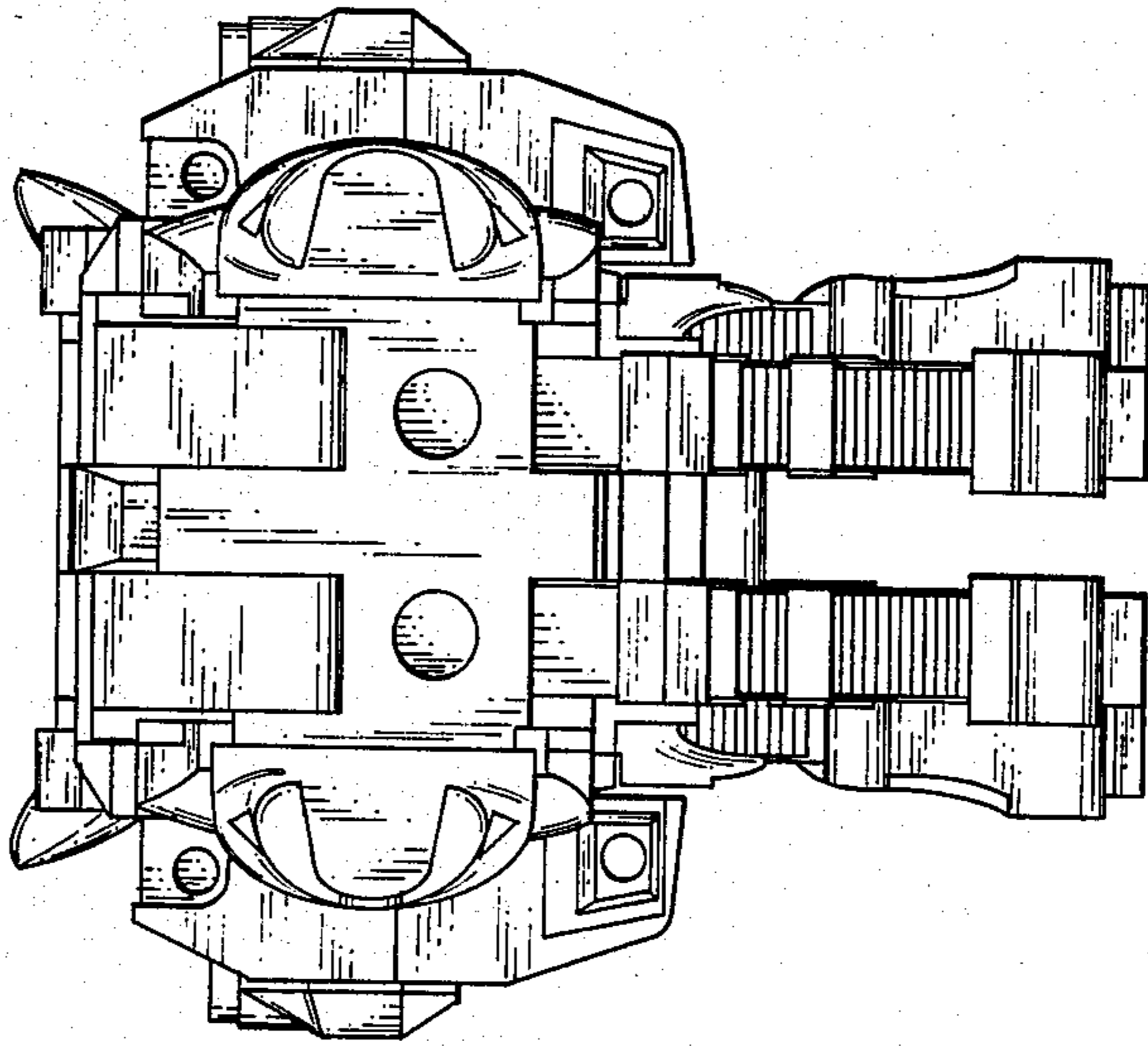


FIG. 3

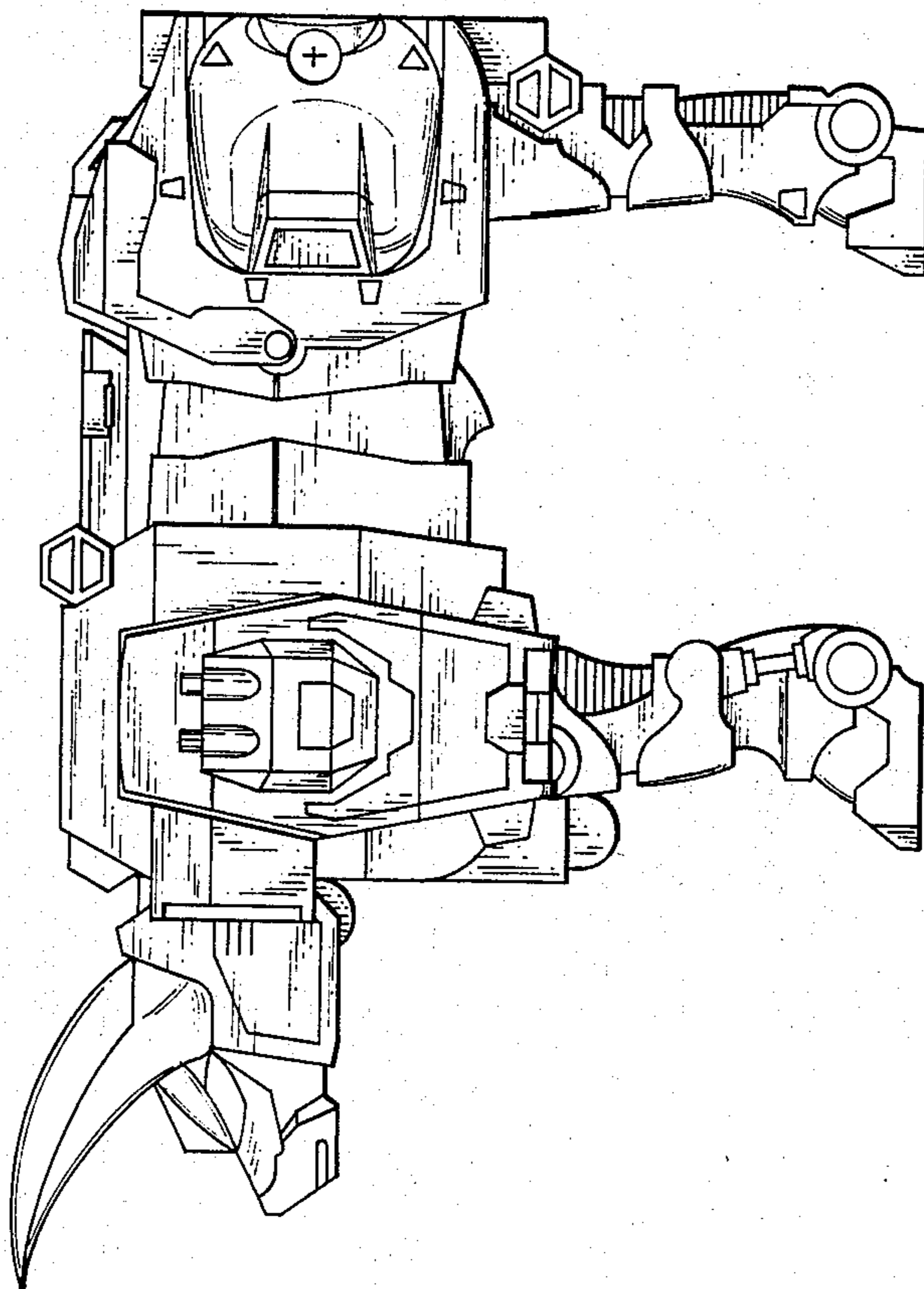


FIG. 6

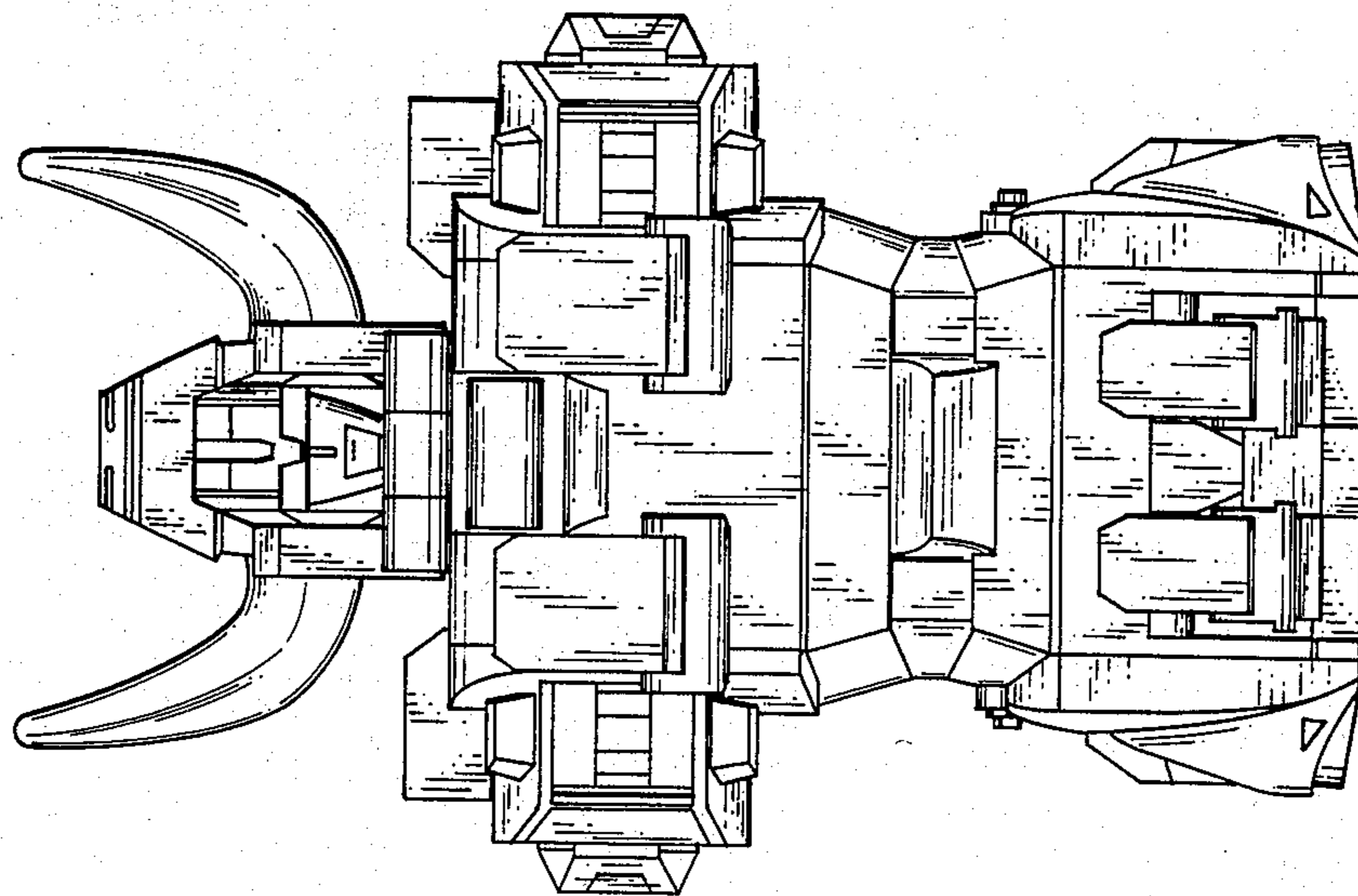


FIG. 5

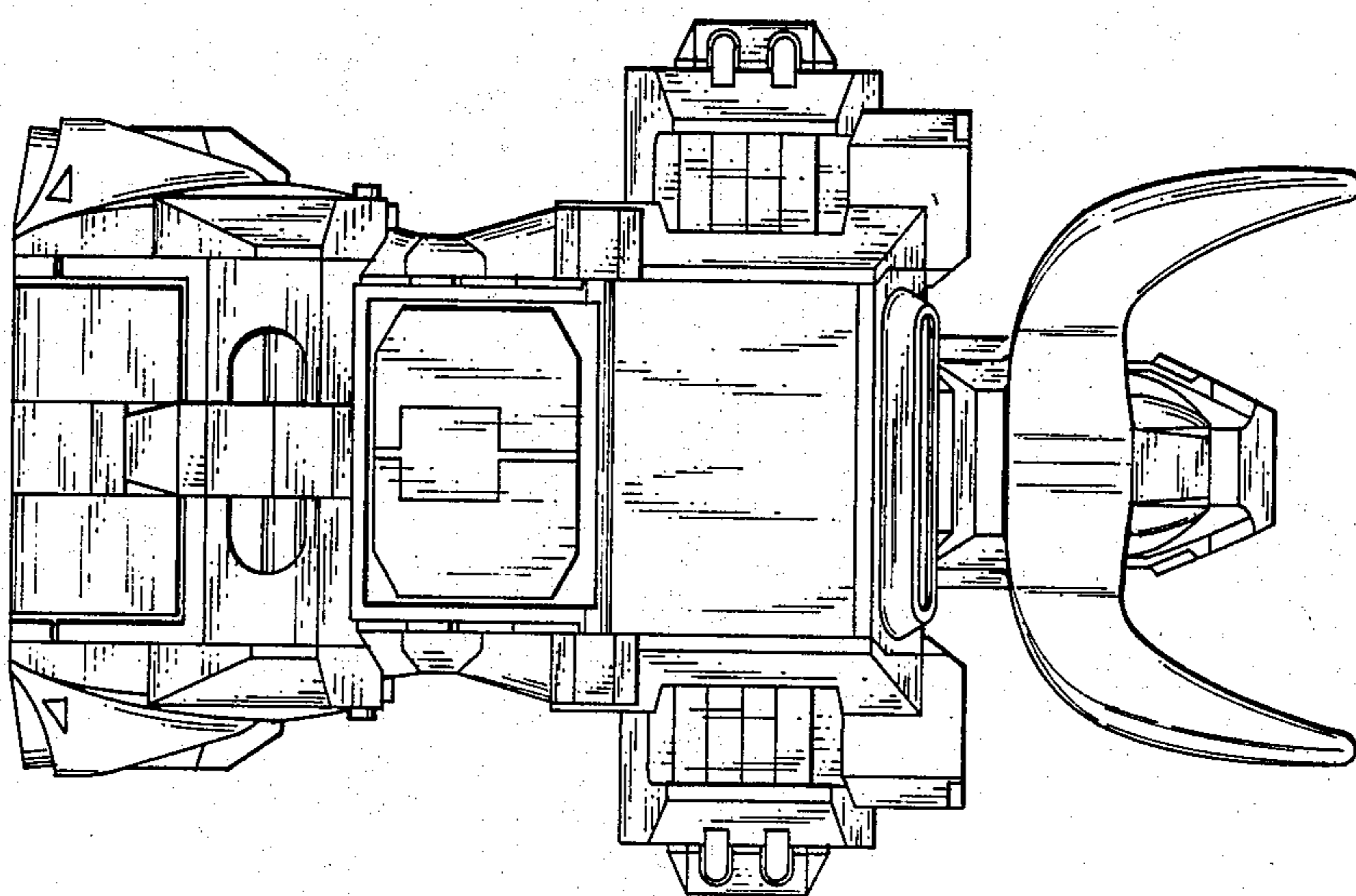


FIG. 9

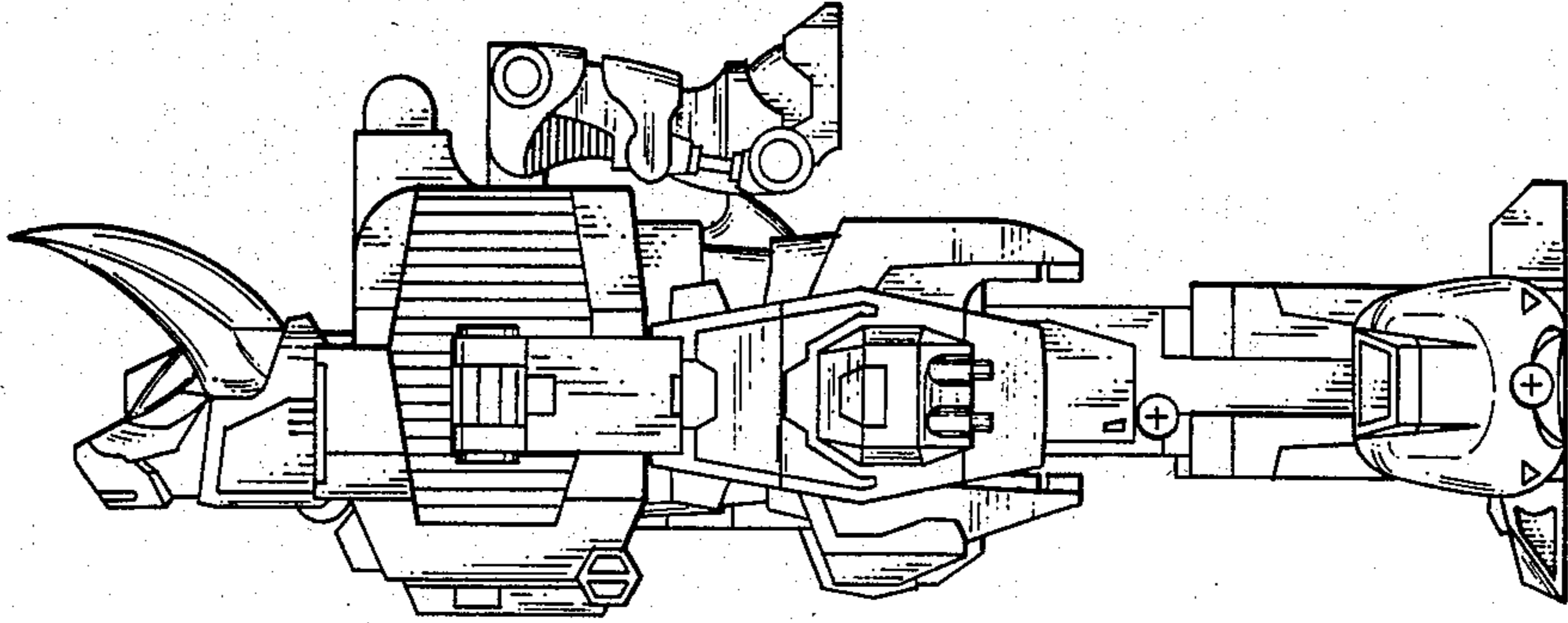


FIG. 8

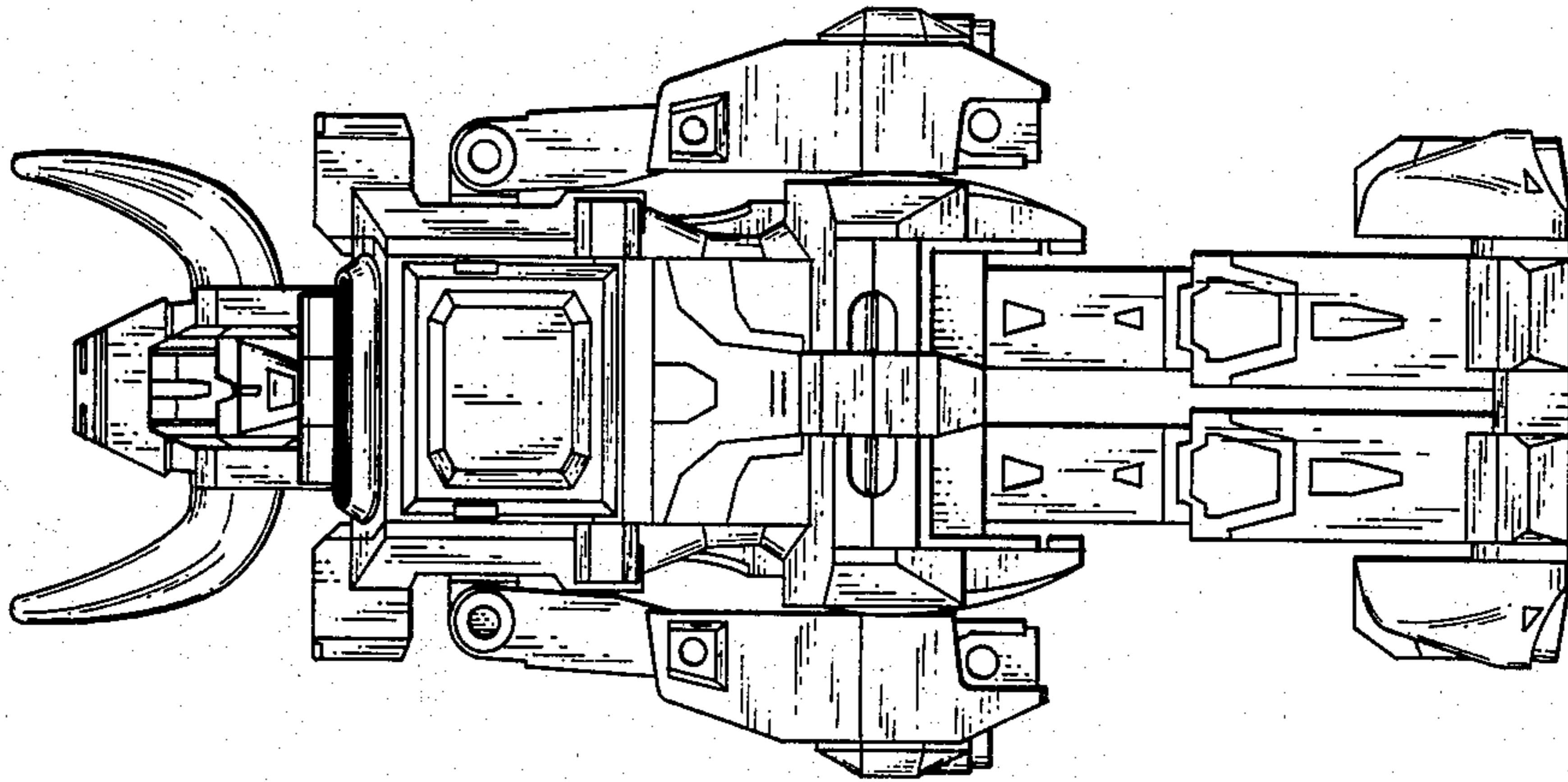


FIG. 7

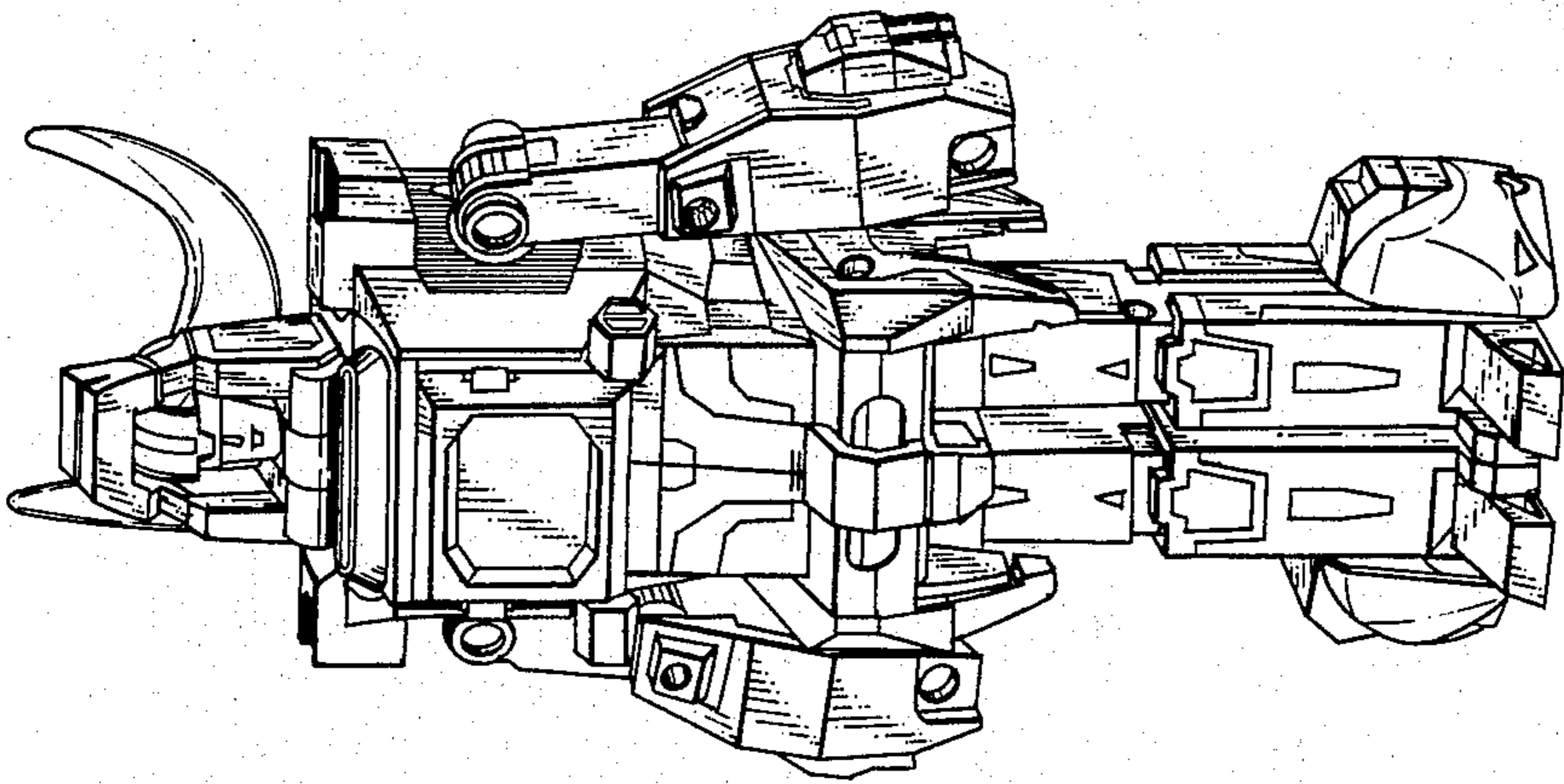


FIG.11

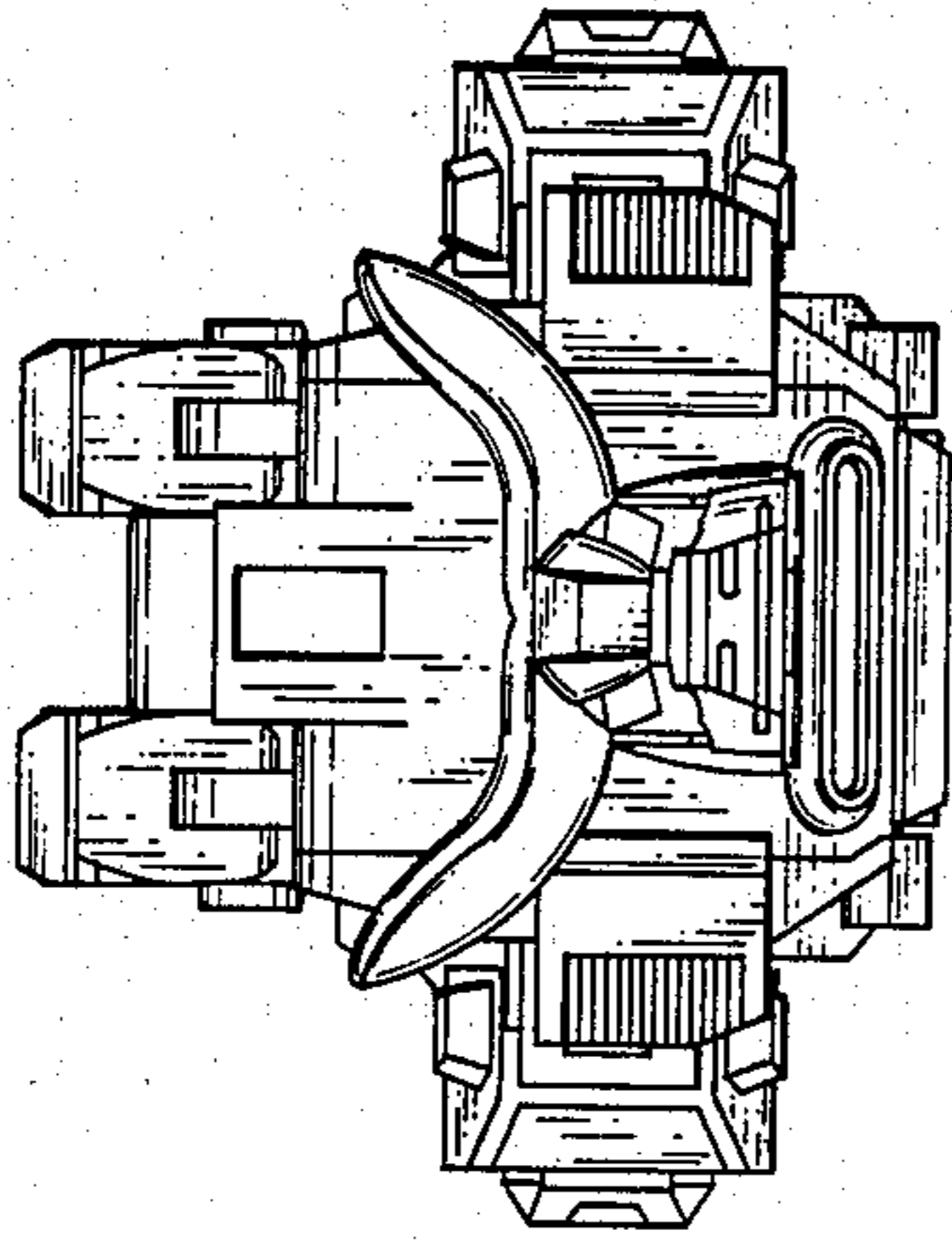


FIG.12

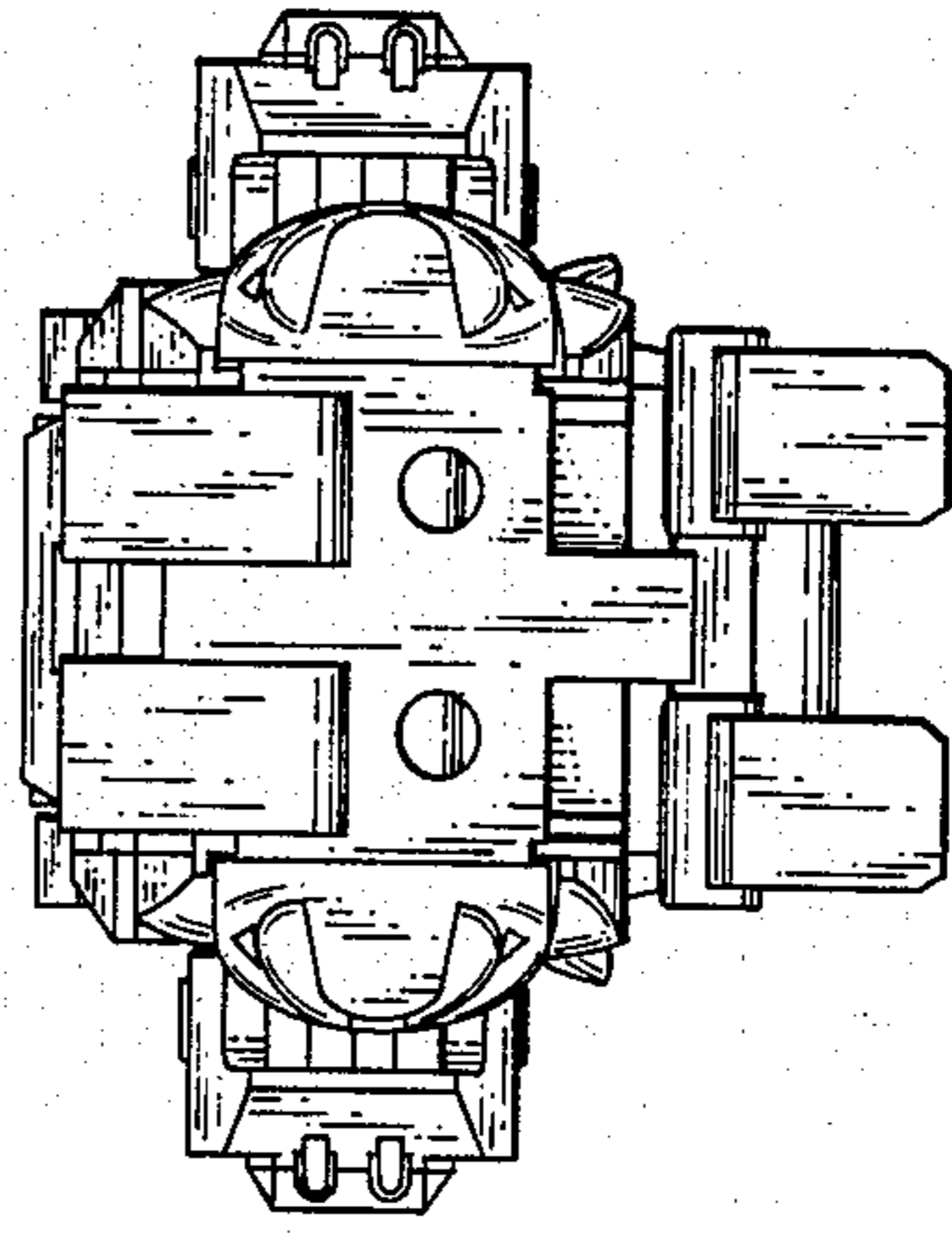


FIG.10

