

[54] **RECONFIGURABLE ANIMAL TOY LION**

[75] **Inventor: Teruo Kitamura, Tokyo, Japan**

[73] **Assignee: Takara Co., Ltd., Tokyo, Japan**

[**] **Term: 14 Years**

[21] **Appl. No.: 823,355**

[22] **Filed: Jan. 28, 1986**

[30] **Foreign Application Priority Data**

Dec. 13, 1985 [JP] Japan 60-51839

[52] **U.S. Cl. D21/150; D21/163**

[58] **Field of Search D21/150, 163, 148;
446/71-75, 99, 100, 376, 487**

[56] **References Cited**

U.S. PATENT DOCUMENTS

D. 286,421 10/1986 Maruyama D21/150

D. 287,038 12/1986 Ohno D21/150

D. 295,542 5/1988 Matsuda D21/150

Primary Examiner—Melvin B. Feifer

Attorney, Agent, or Firm—Price, Gess, Ubell

[57] **CLAIM**

The ornamental design for a reconfigurable animal toy lion, as shown and described.

DESCRIPTION

FIG. 1 is a front side perspective view of a reconfigurable animal toy lion showing my new design; FIG. 2 is a front elevational view thereof; FIG. 3 is a right side elevational view thereof, the side opposite being substantially a mirror image; FIG. 4 is a rear elevational view thereof; FIG. 5 is a top plan view thereof; FIG. 6 is a bottom plan view thereof; FIG. 7 is a front side perspective view of the toy reconfigured into robotic humanoid configuration; FIG. 8 is a front elevational view thereof; FIG. 9 is a right side elevational view thereof, the side opposite being substantially a mirror image; FIG. 10 is a rear elevational view thereof; FIG. 11 is a top plan view thereof; FIG. 12 is a bottom plan view thereof.

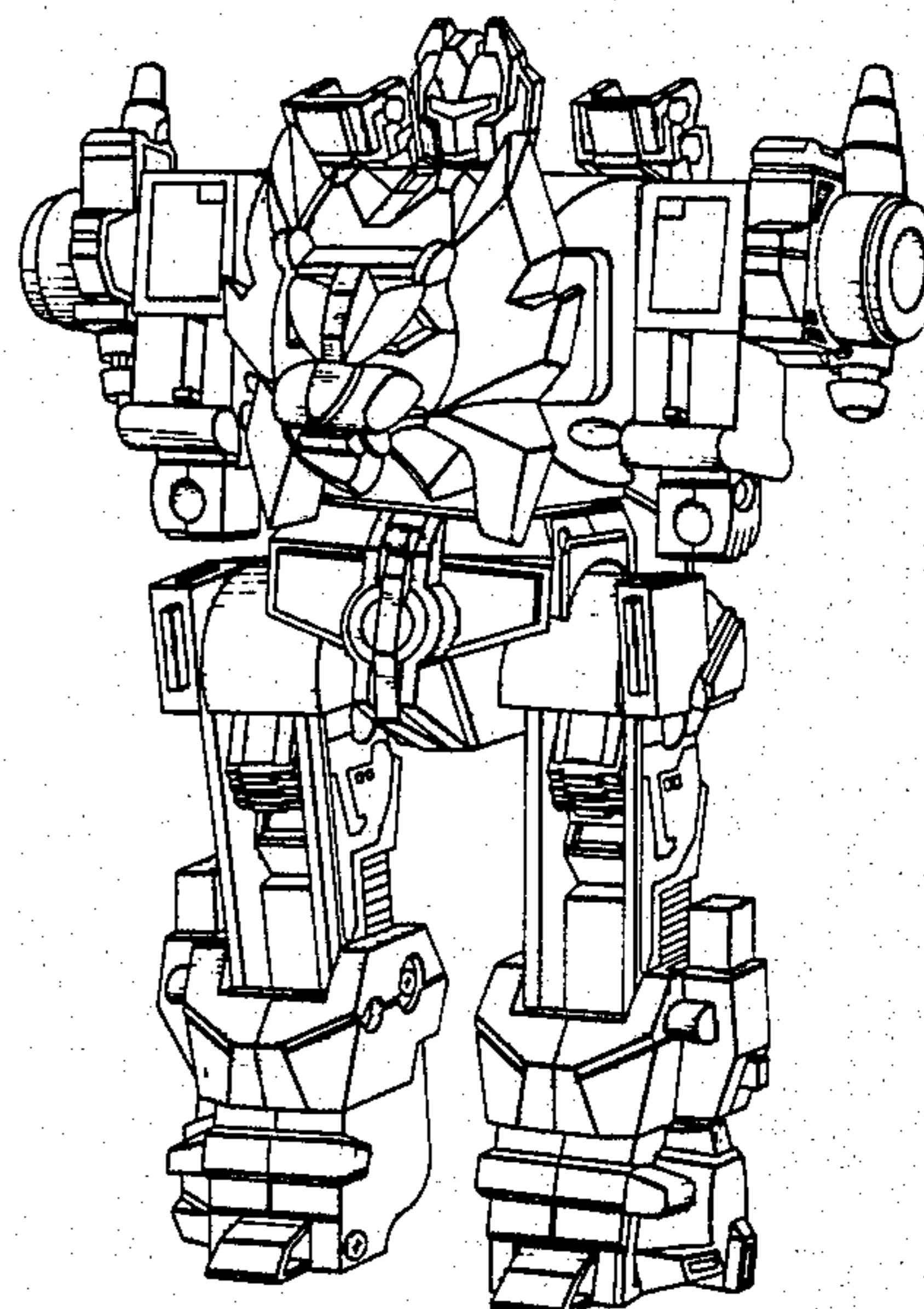
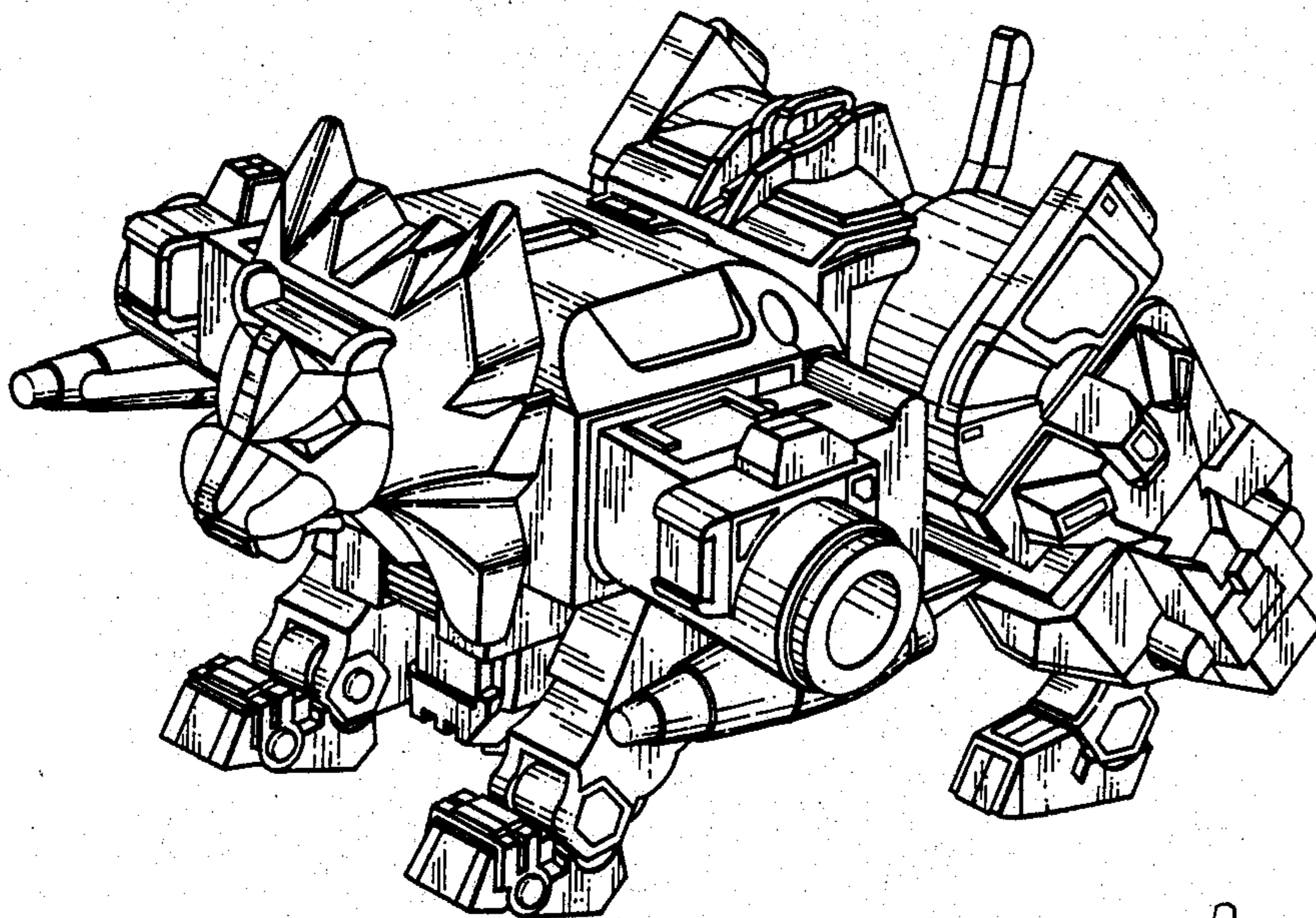


FIG. 1

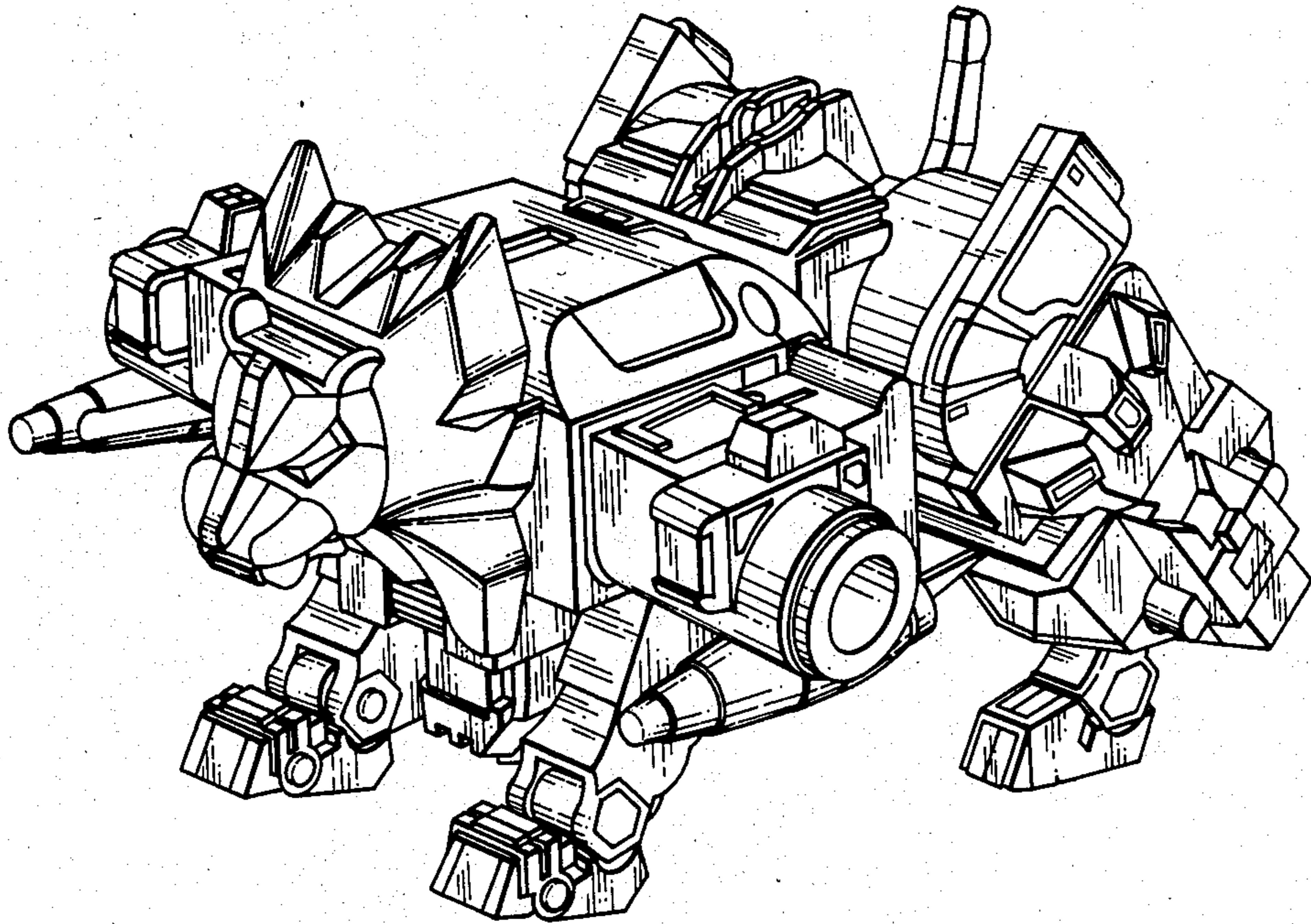


FIG. 2

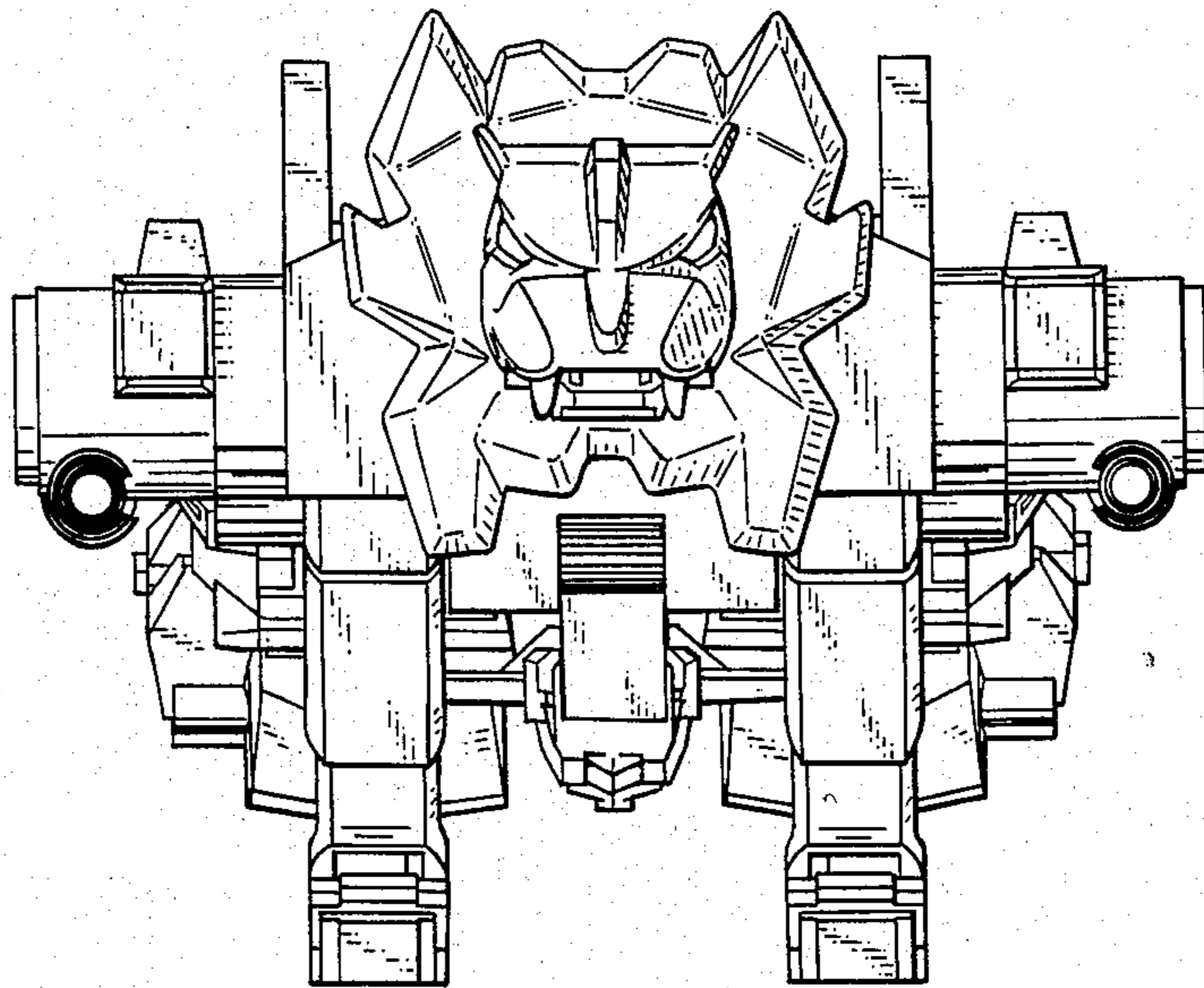


FIG. 3

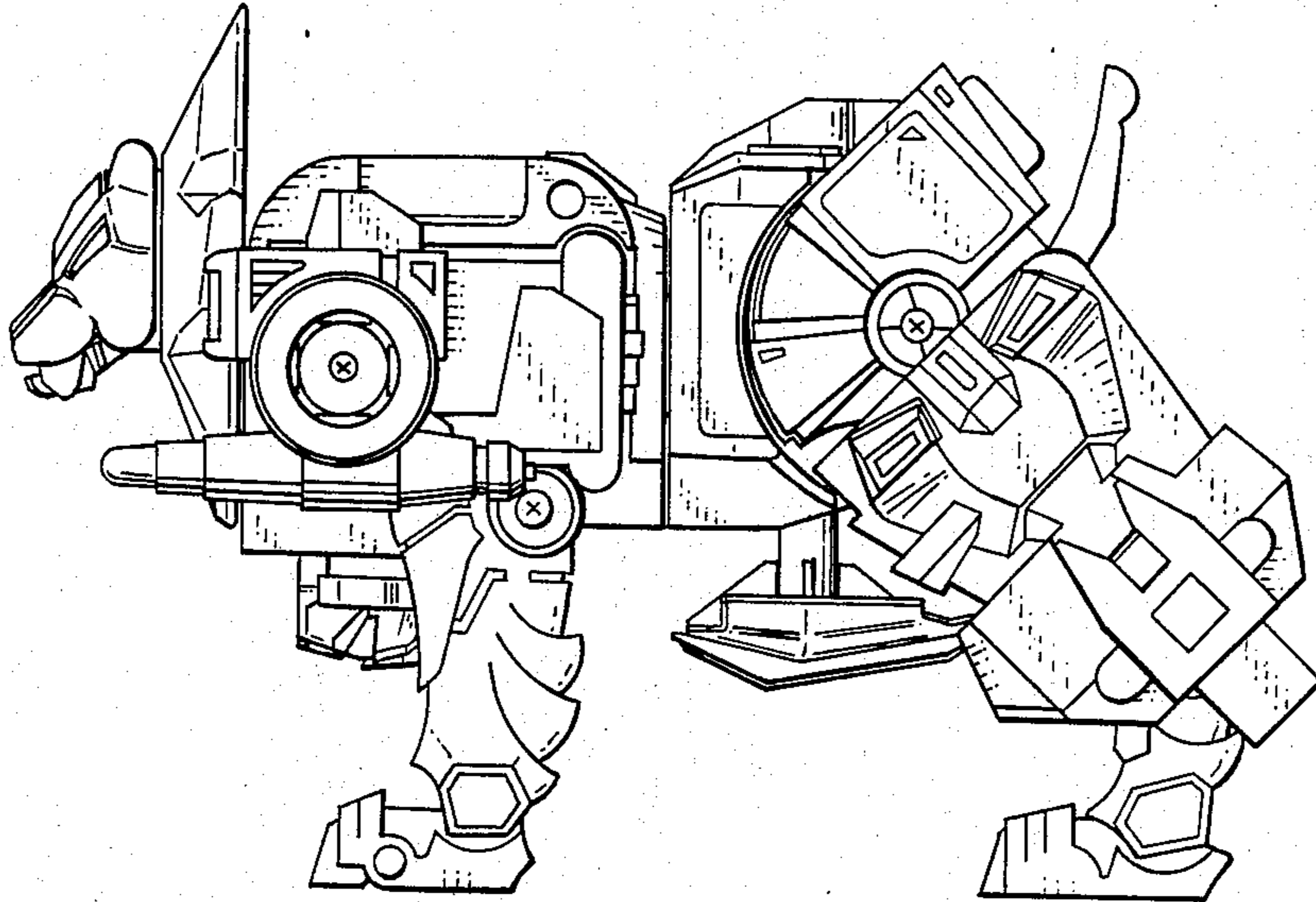


FIG. 4

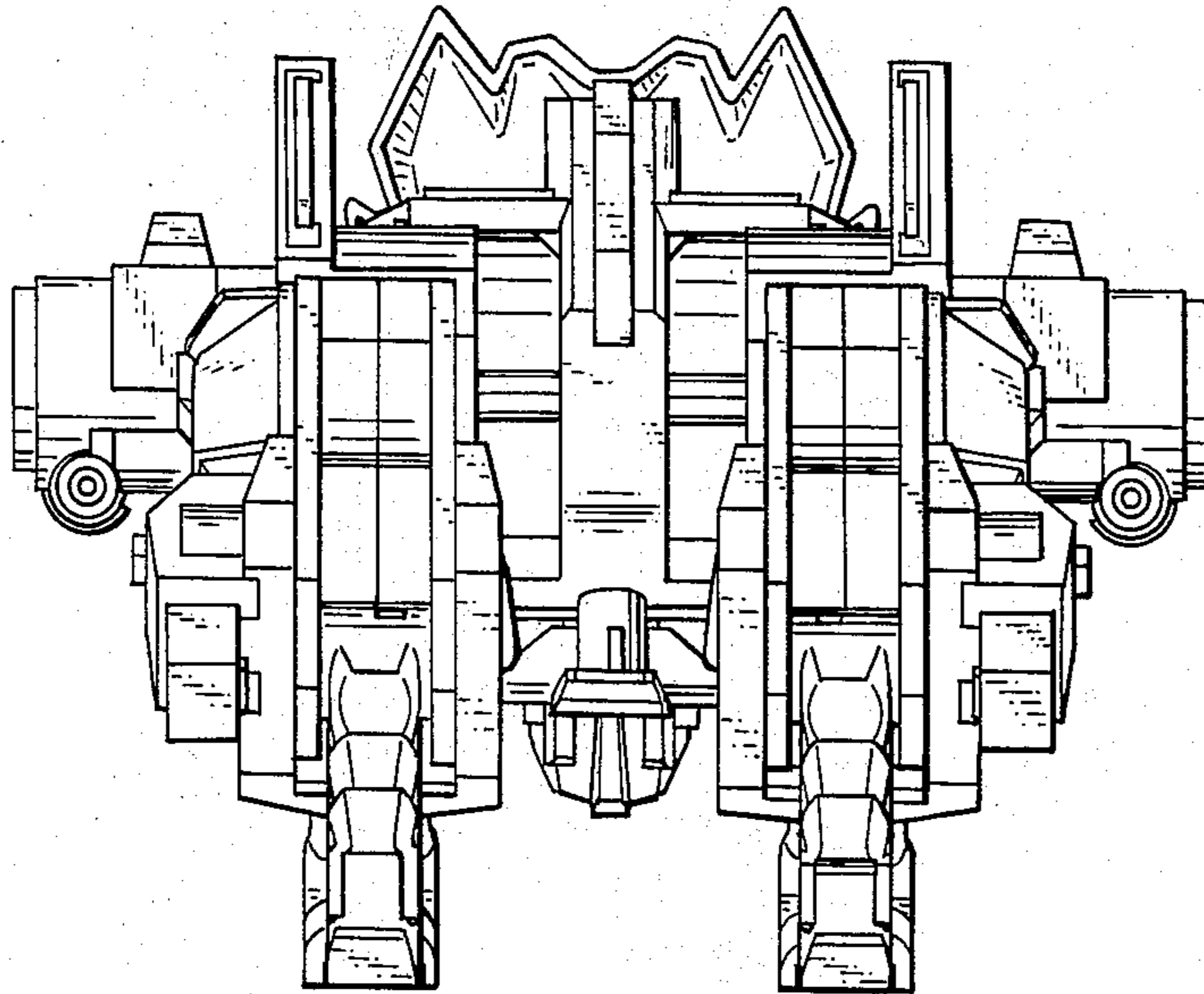


FIG. 6

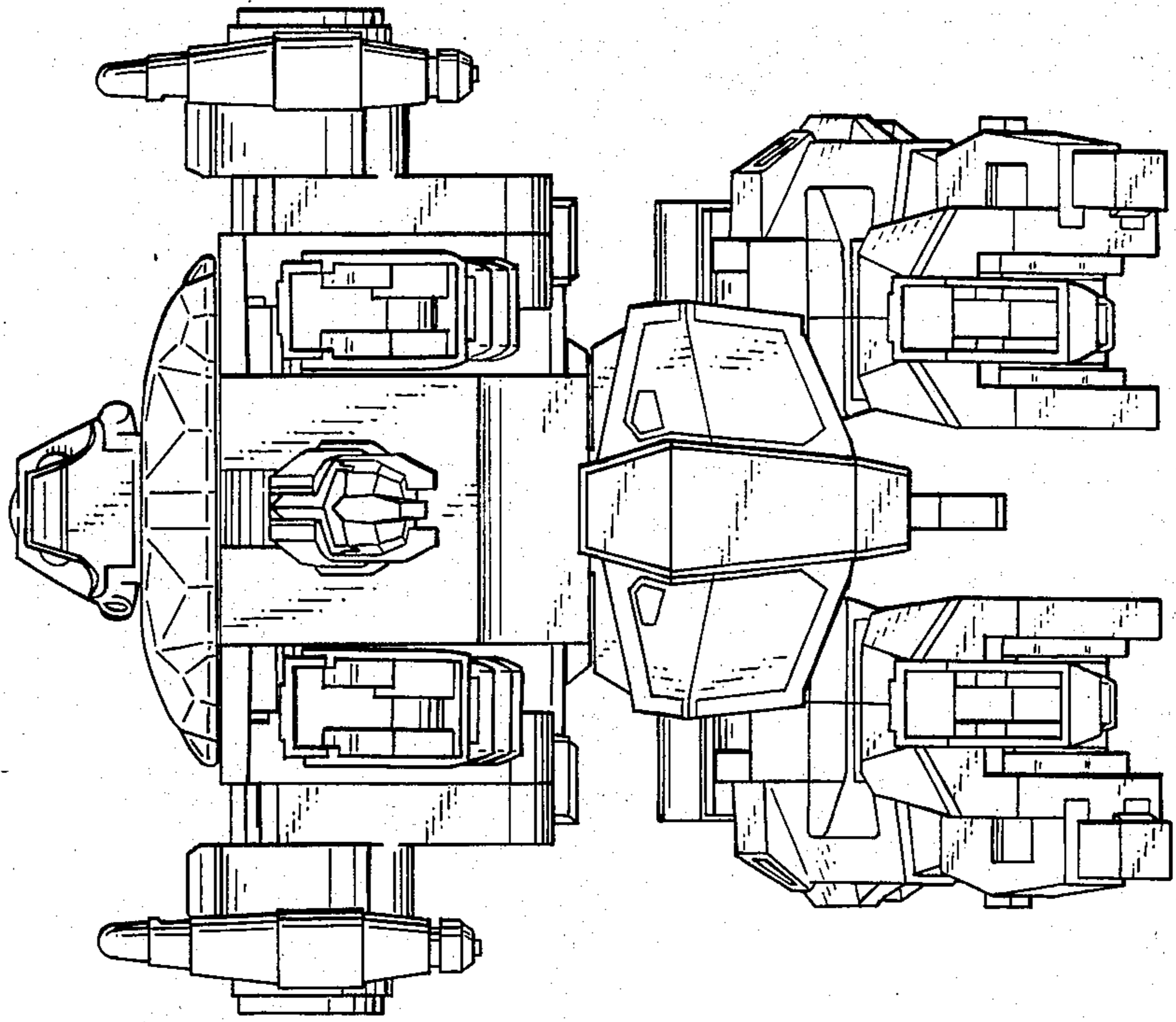


FIG. 5

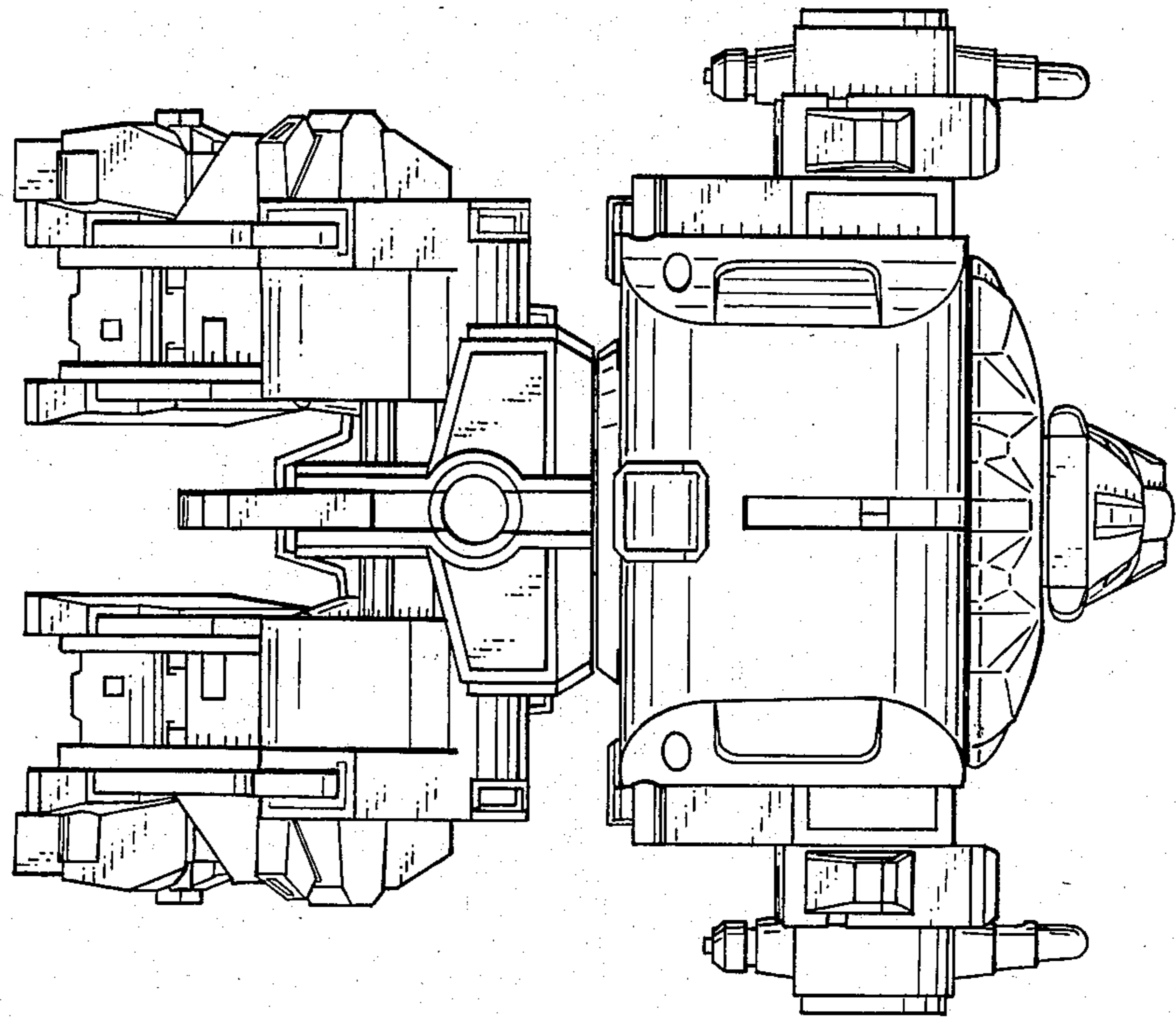


FIG. 7

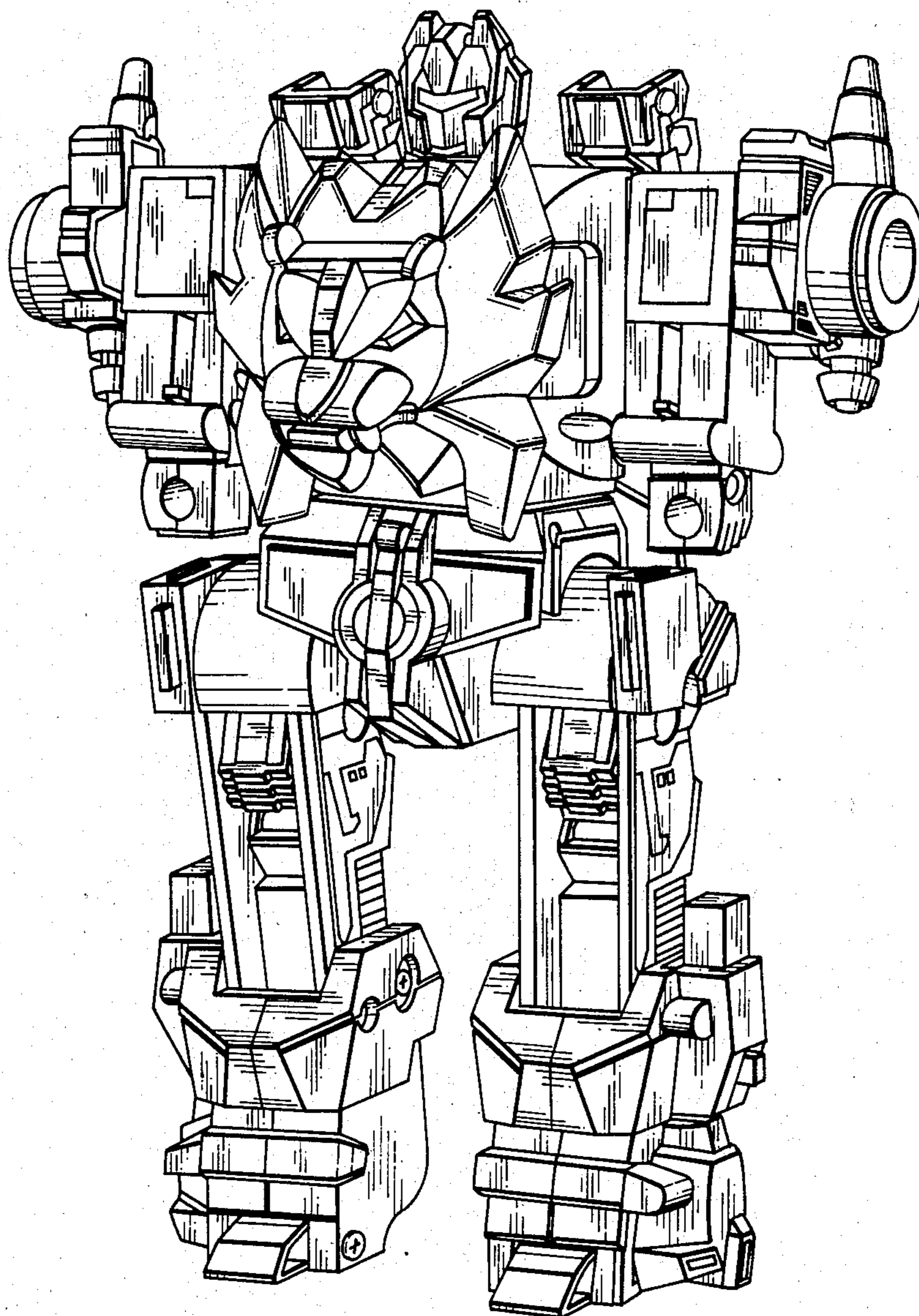


FIG. 8

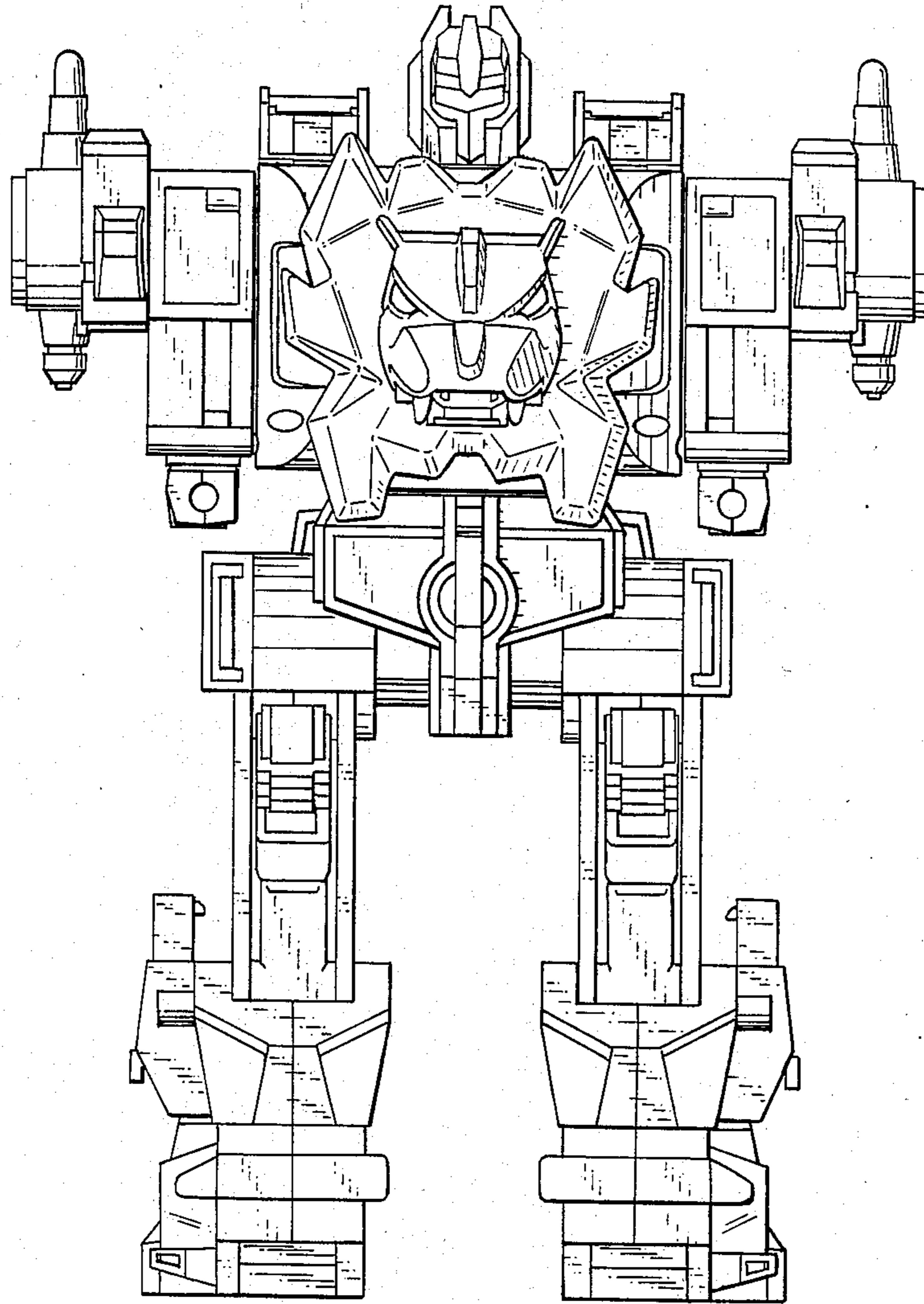


FIG. 9

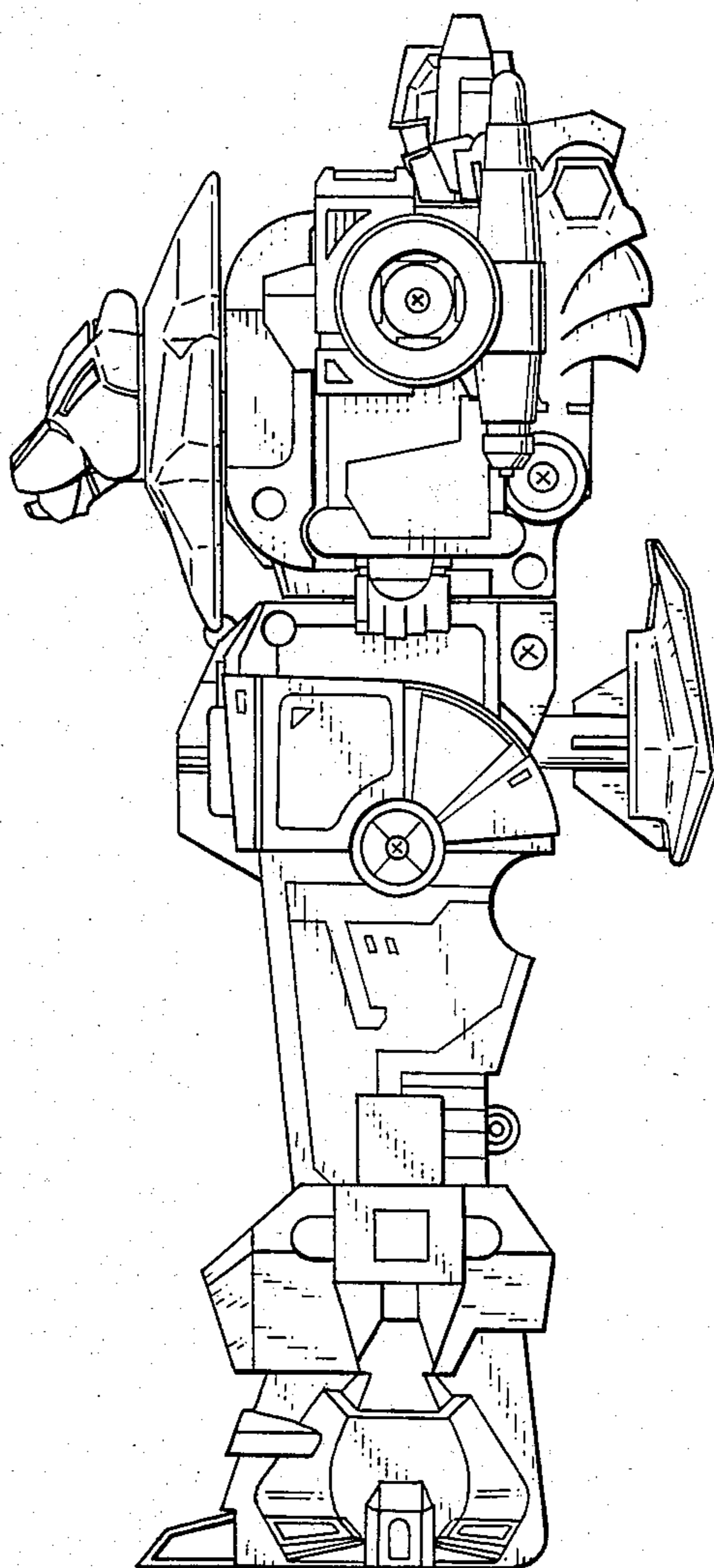


FIG.10

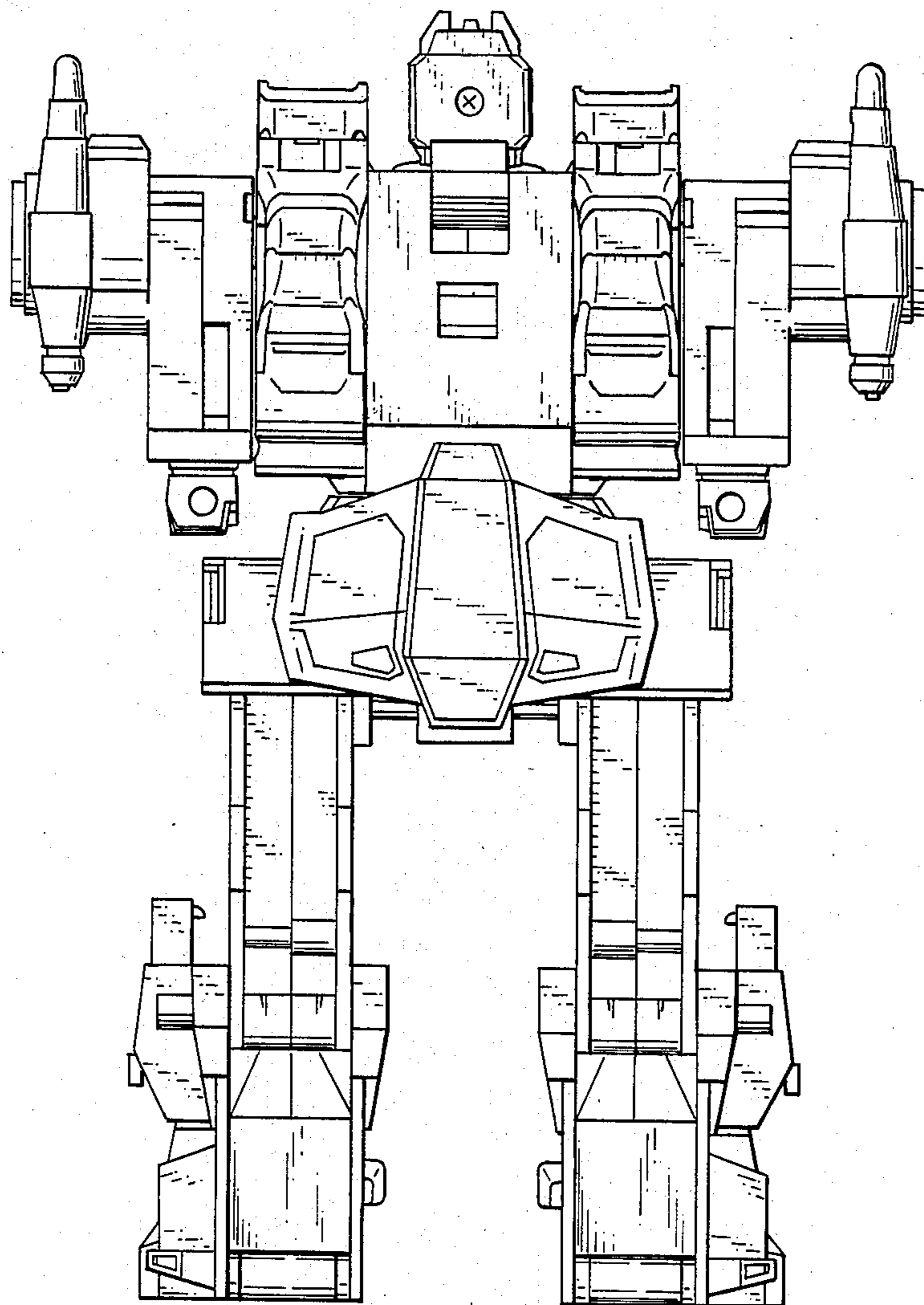


FIG.11

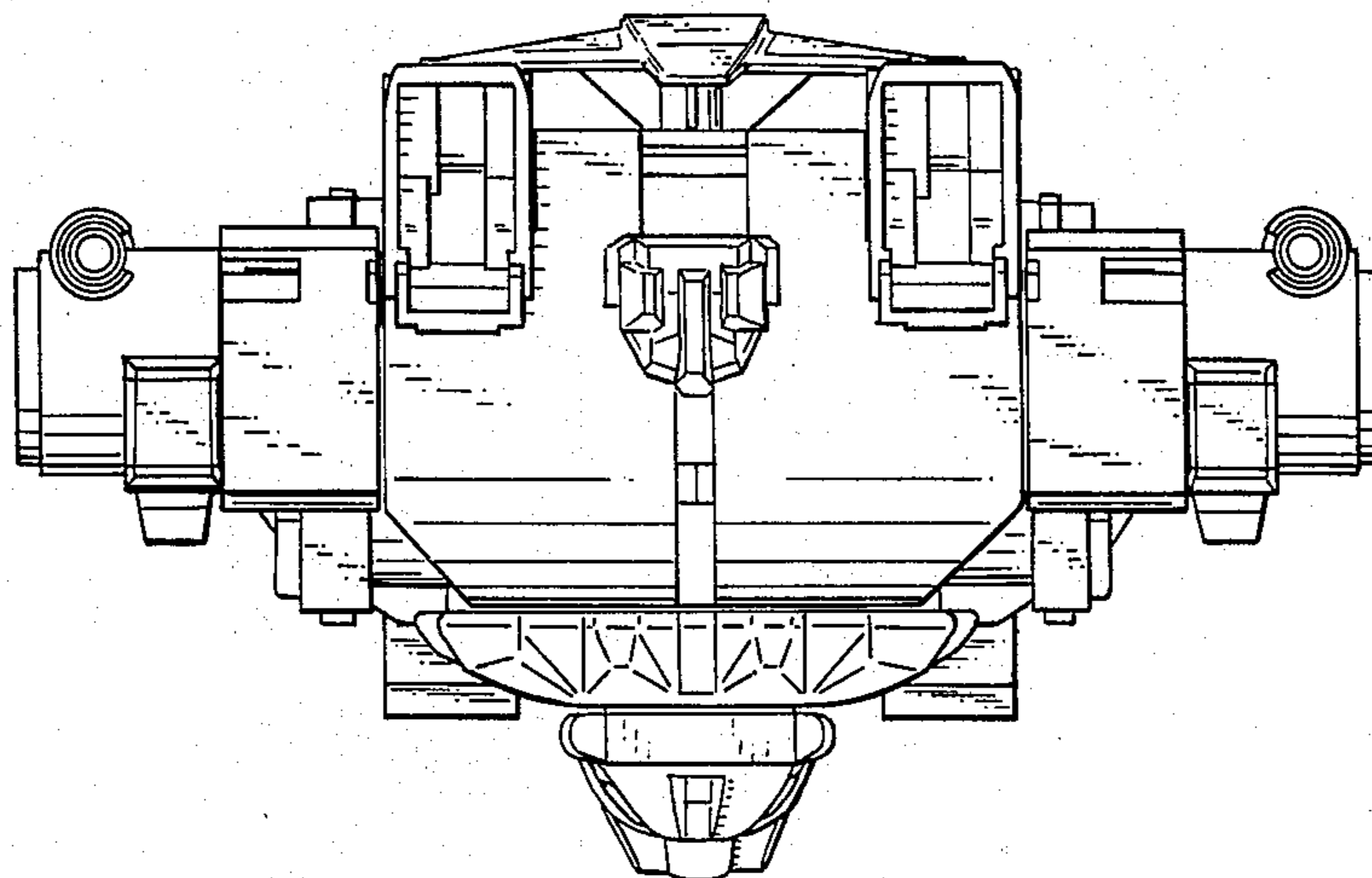


FIG.12

