

United States Patent [19]

Shen et al.

[11] Patent Number: Des. 298,555

[45] Date of Patent: ** Nov. 15, 1988

[54] GAMING TABLE

[76] Inventors: Margaret Shen; Barry R. Forrester,
both of 21 Bent Street, Sydney, New
South Wales, 2000, Australia

[**] Term: 14 Years

[21] Appl. No.: 806,646

[22] Filed: Dec. 9, 1985

[52] U.S. Cl. D21/37

[58] Field of Search D21/37, 14, 32;
273/274, 292, 309

[56] References Cited

U.S. PATENT DOCUMENTS

D. 227,967 7/1973 Scarne D21/37
D. 245,717 9/1977 Jessie D21/32
D. 263,975 4/1982 Quiroga et al. D21/37

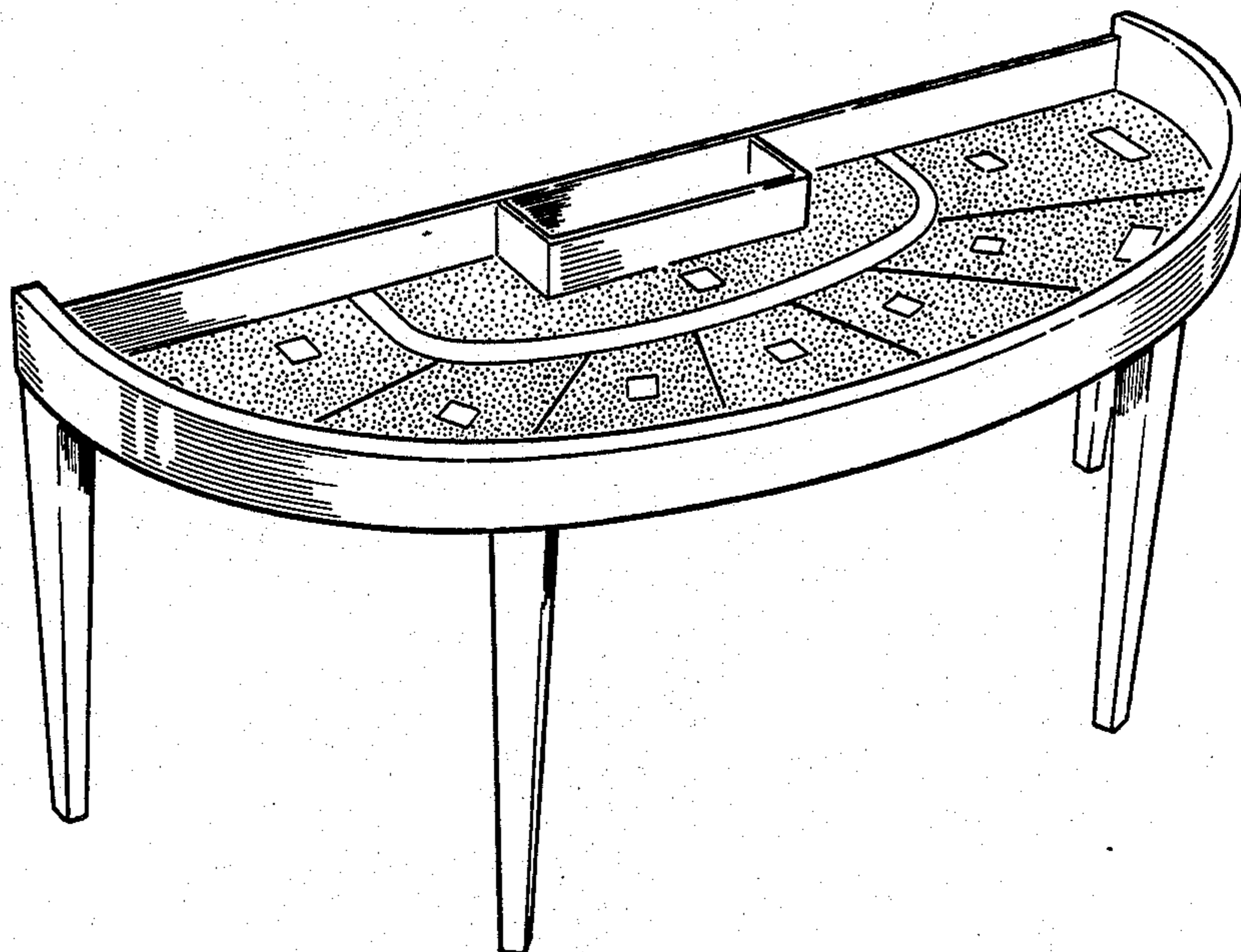
Primary Examiner—Melvin B. Feifer
Attorney, Agent, or Firm—Larson and Taylor

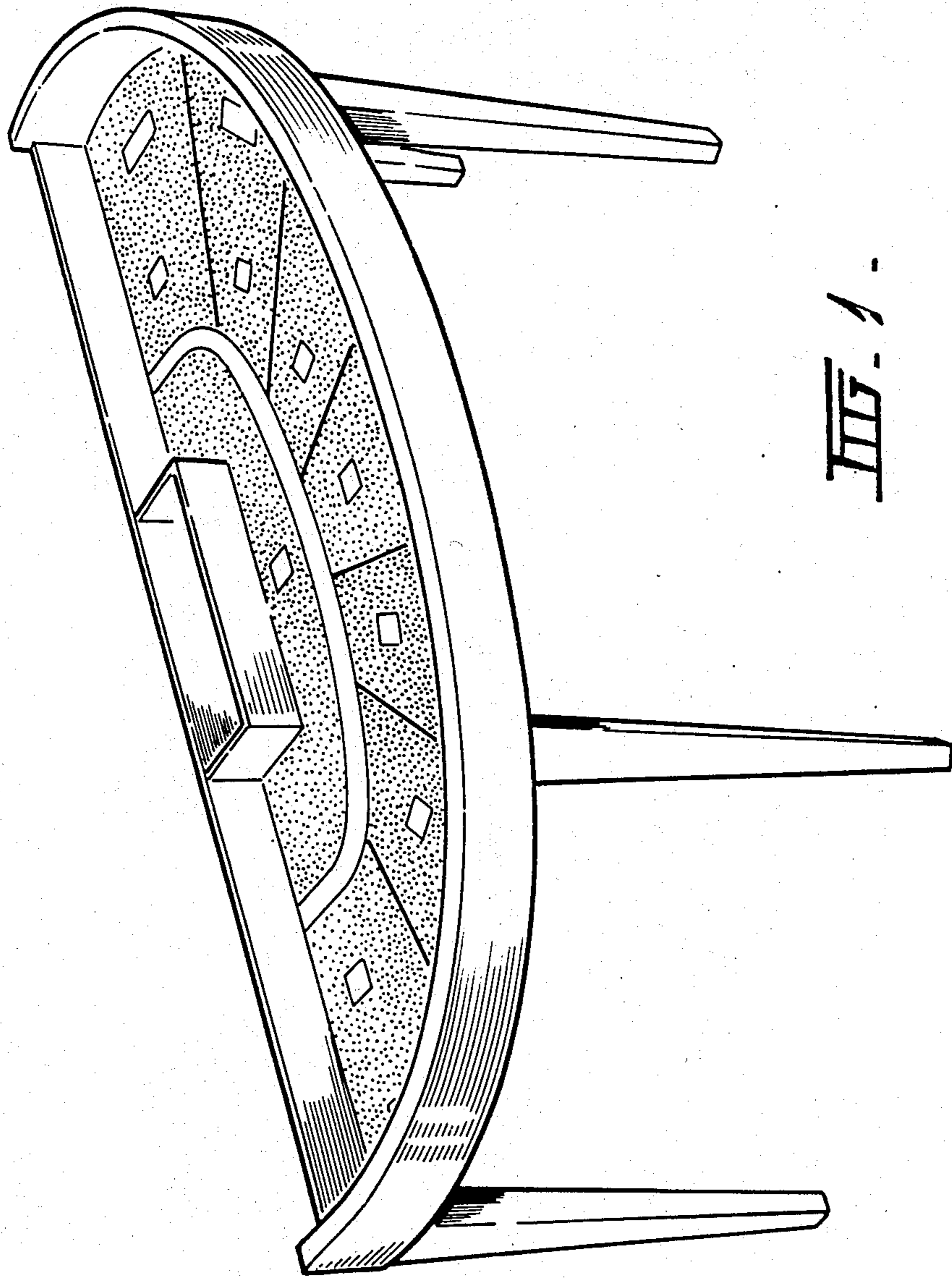
[57] CLAIM

The ornamental design for a gaming table, as shown and described.

DESCRIPTION

FIG. 1 is a perspective view of a gaming table showing our new design; and
FIG. 2 is a plan view of the table of FIG. 1.
The side of the table edge not shown is unornamented.





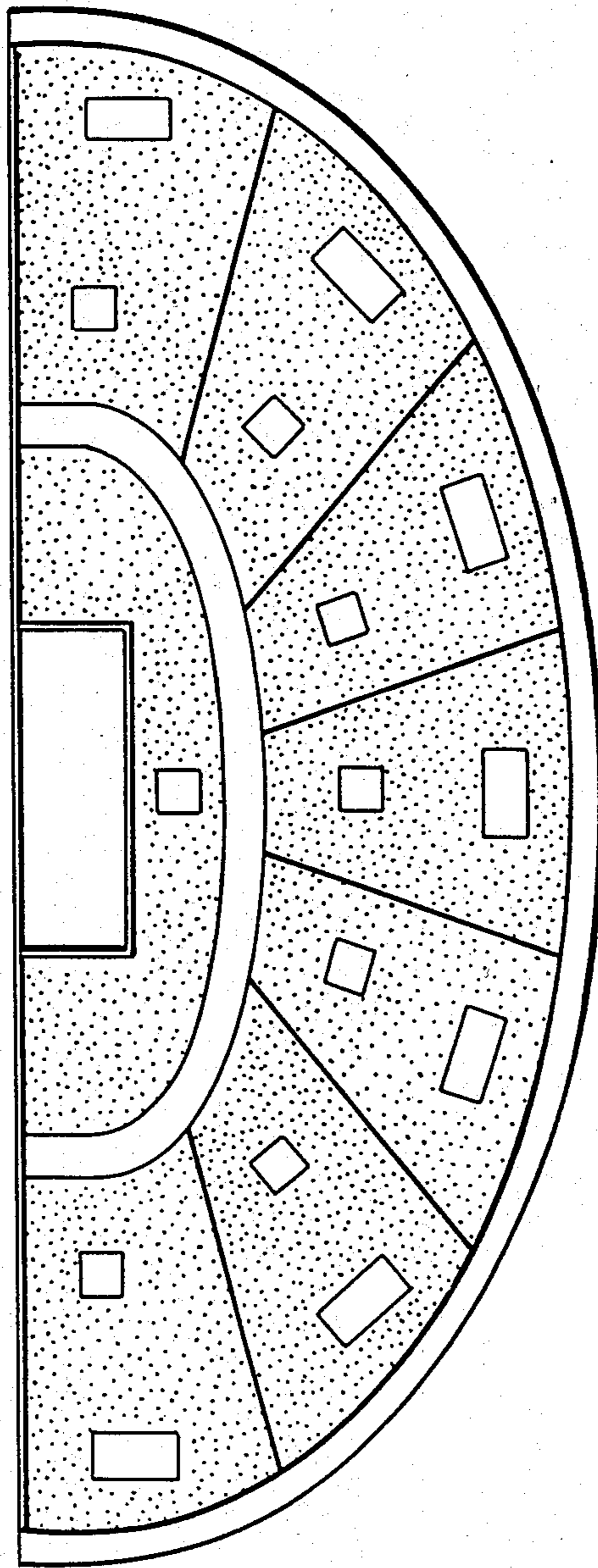


FIG. 2.