

[54] **AUTOMATIC VENDING MACHINE OR SIMILAR ARTICLE**

[76] **Inventor: Lien K. Chen, 5th Fl., No. 2, Tung Ning Rd., Tainan City, Taiwan**

[**] **Term: 14 Years**

[21] **Appl. No.: 810,073**

[22] **Filed: Dec. 17, 1985**

[30] **Foreign Application Priority Data**

Apr. 29, 1985 [TW] Taiwan 74302089

[52] **U.S. Cl. D20/7**

[58] **Field of Search D20/1-9; 194/206, 207, 233, 248, 255, 350; 221/92, 129, 131, 133, 155**

[56] **References Cited**

U.S. PATENT DOCUMENTS

- D. 186,466 10/1959 Bolen, Jr. et al. D20/7
- D. 244,716 6/1977 Weitzman D20/7
- D. 277,633 2/1985 McClellan D20/7 X

- 1,414,502 5/1922 Case 194/255
- 3,010,557 11/1961 Weitzman D20/7 X
- 3,937,314 2/1976 Rosenberg et al. D20/7 X

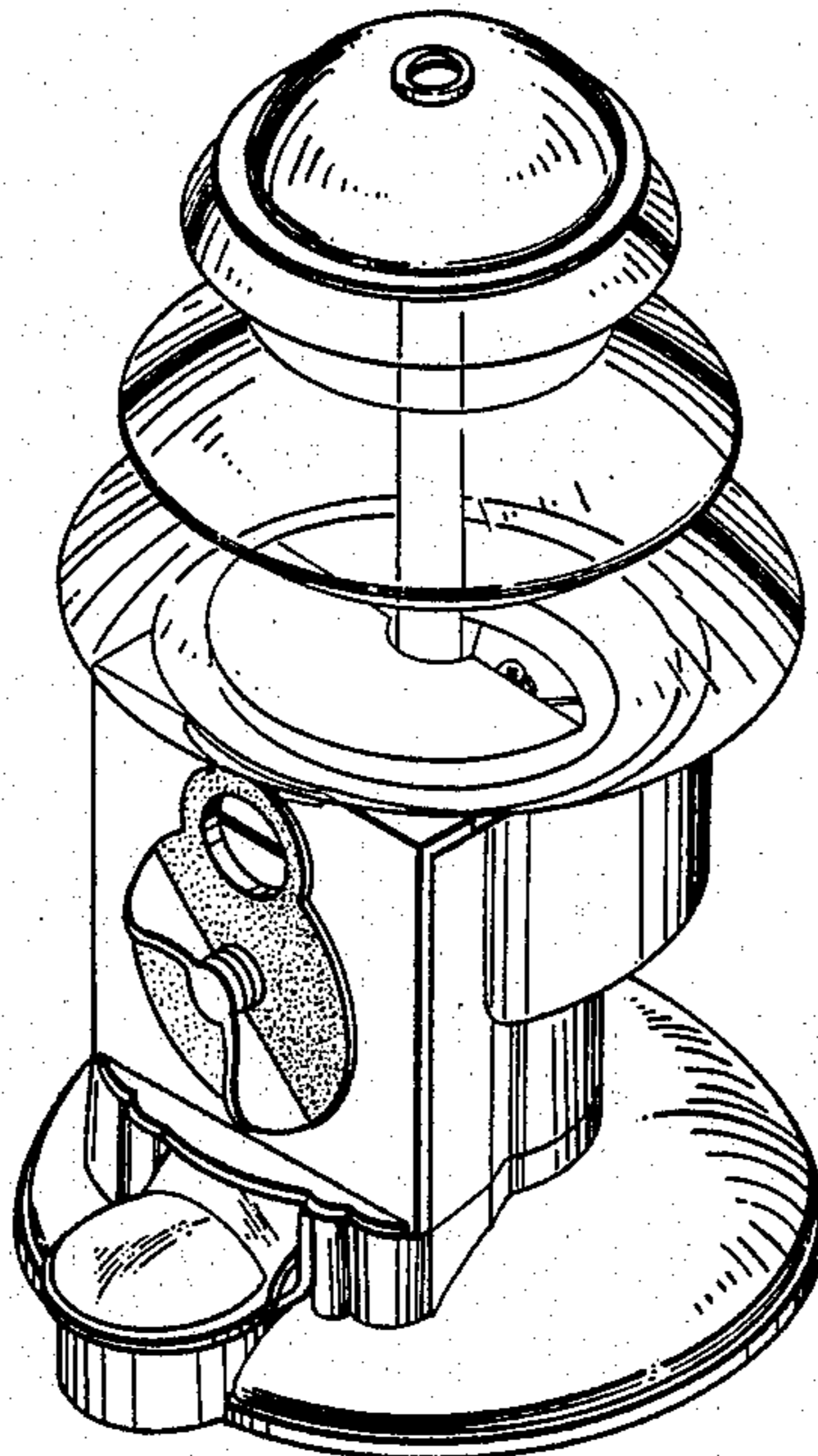
Primary Examiner—Bernard Ansher
Assistant Examiner—Theodore M. Shooman
Attorney, Agent, or Firm—Ladas & Parry

[57] **CLAIM**

The ornamental design for an automatic vending machine or similar article, as shown and described.

DESCRIPTION

FIG. 1 is a top, front and right side perspective view of the automatic vending machine or similar article showing my new design;
FIG. 2 is a front elevational view thereof;
FIG. 3 is a rear elevational view thereof;
FIG. 4 is a left side elevational view thereof;
FIG. 5 is a right side elevational view thereof;
FIG. 6 is a top plan view thereof; and
FIG. 7 is a bottom plan view thereof.



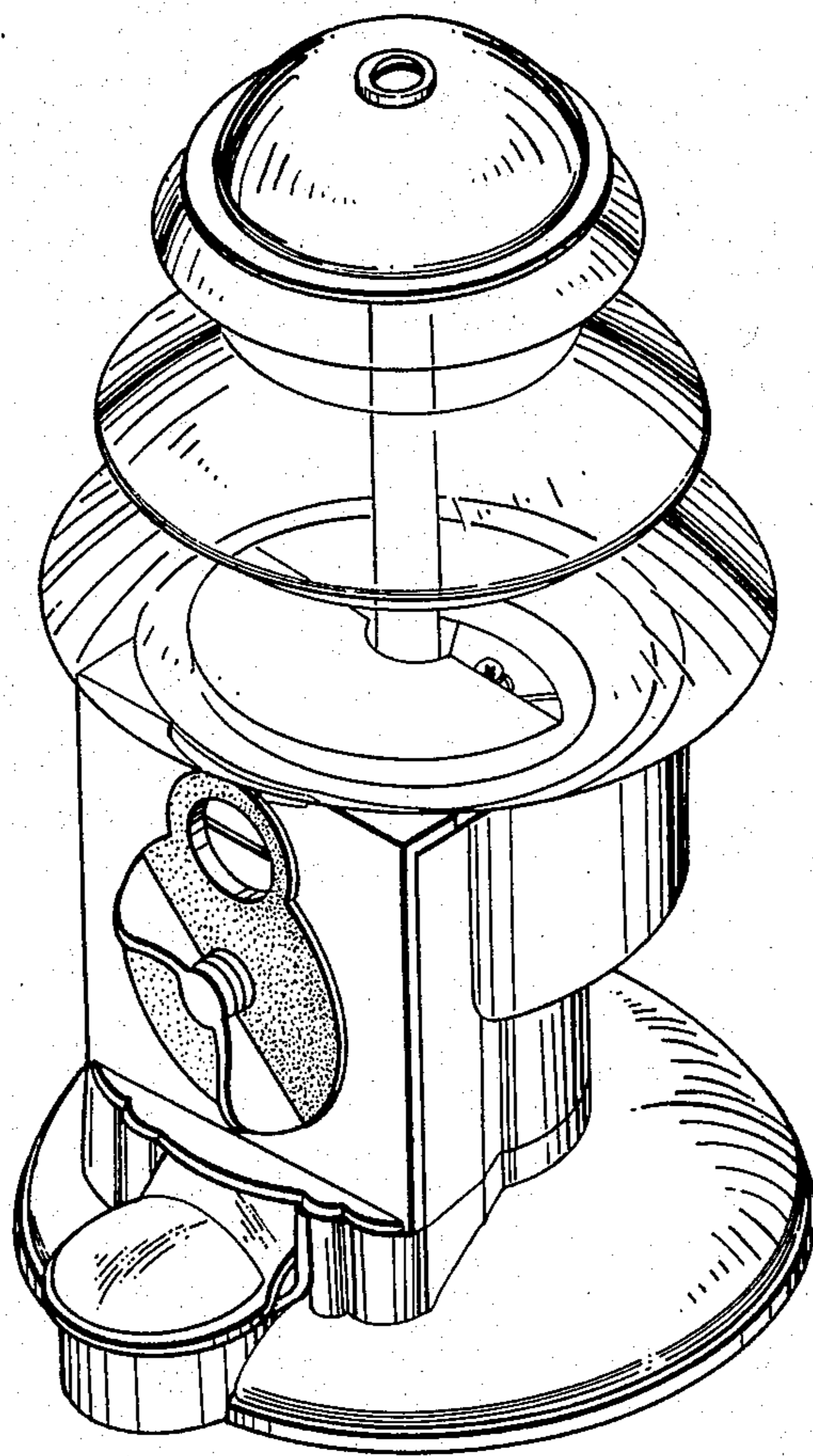


FIG. 1

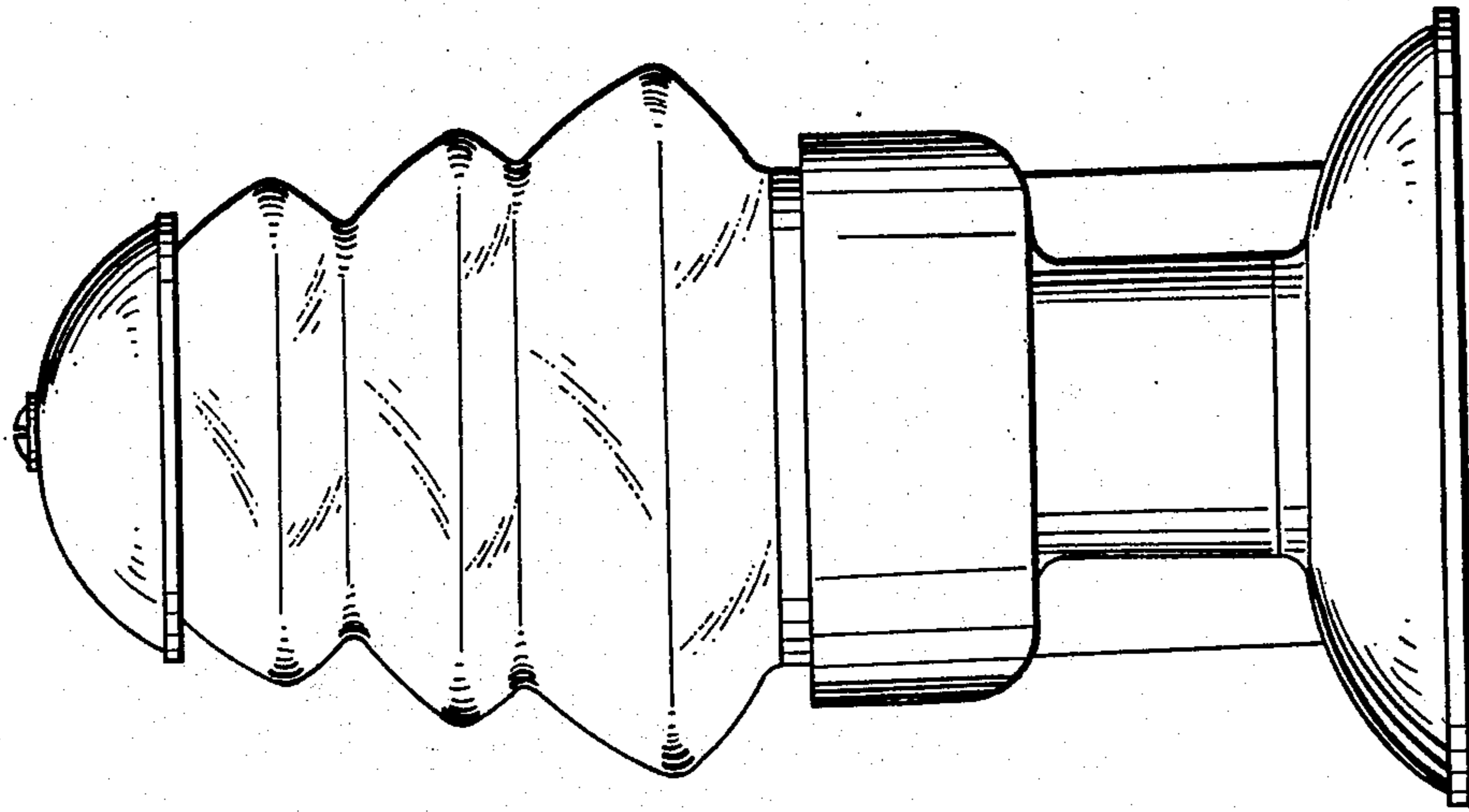


FIG. 3

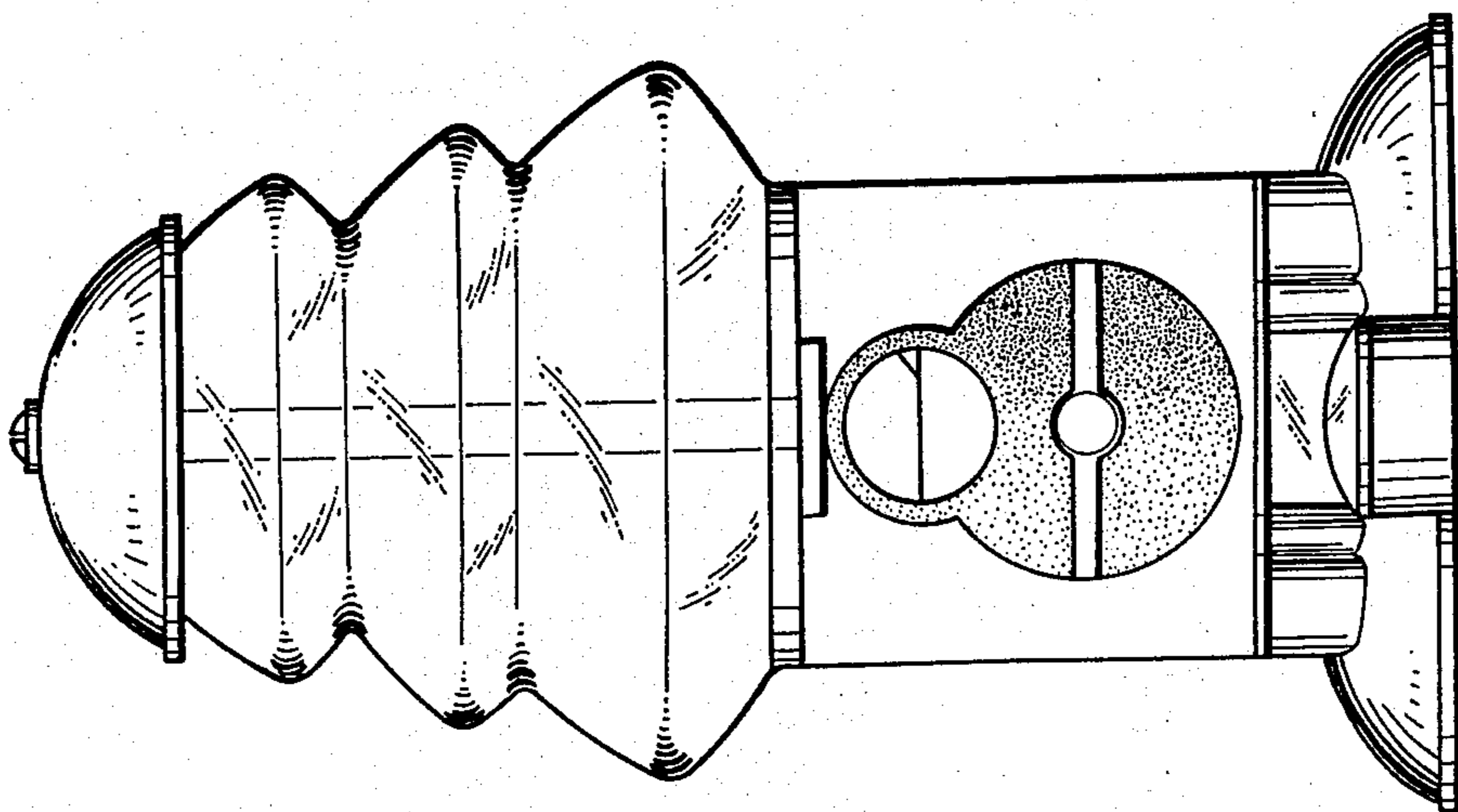


FIG. 2

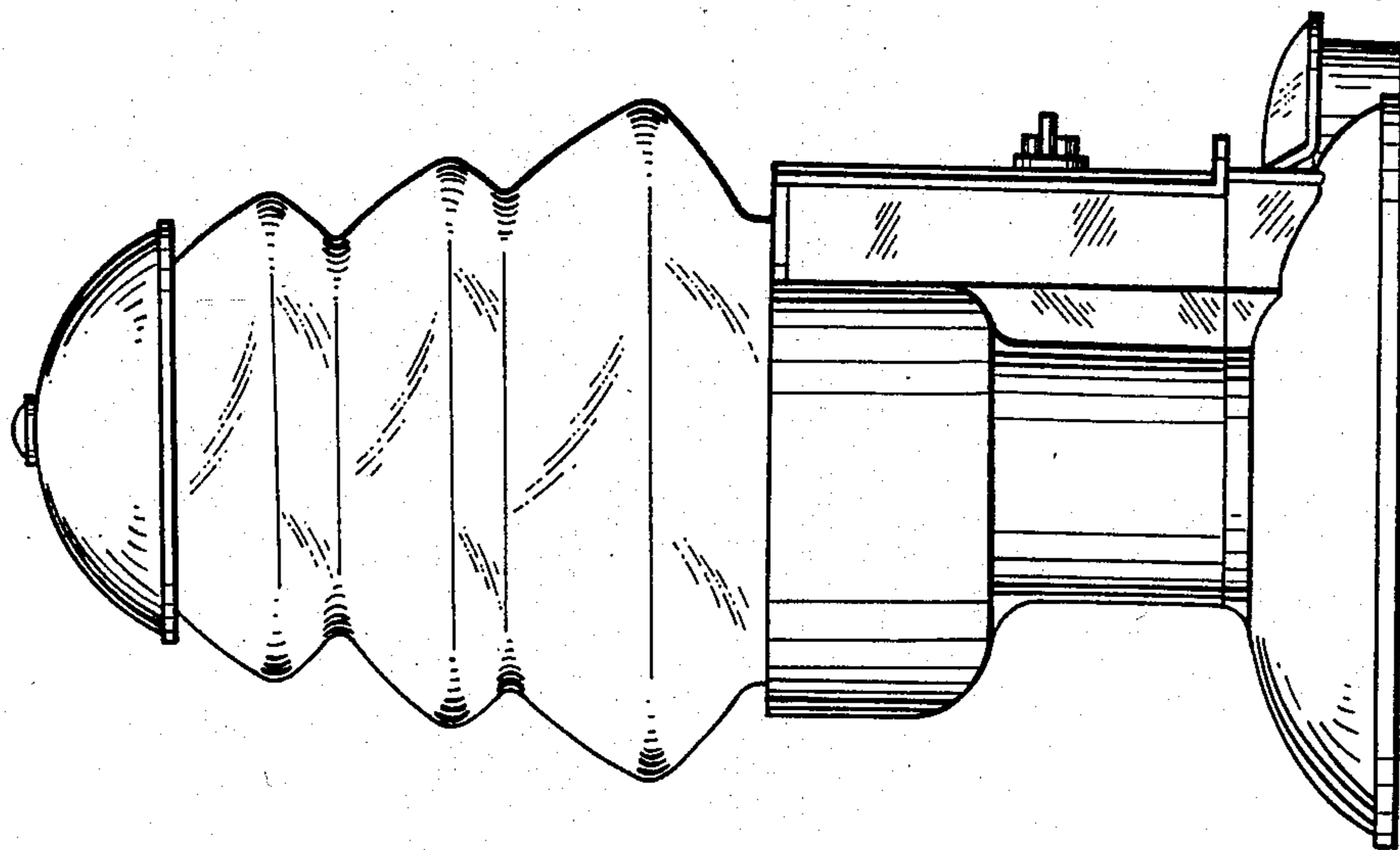


FIG. 4

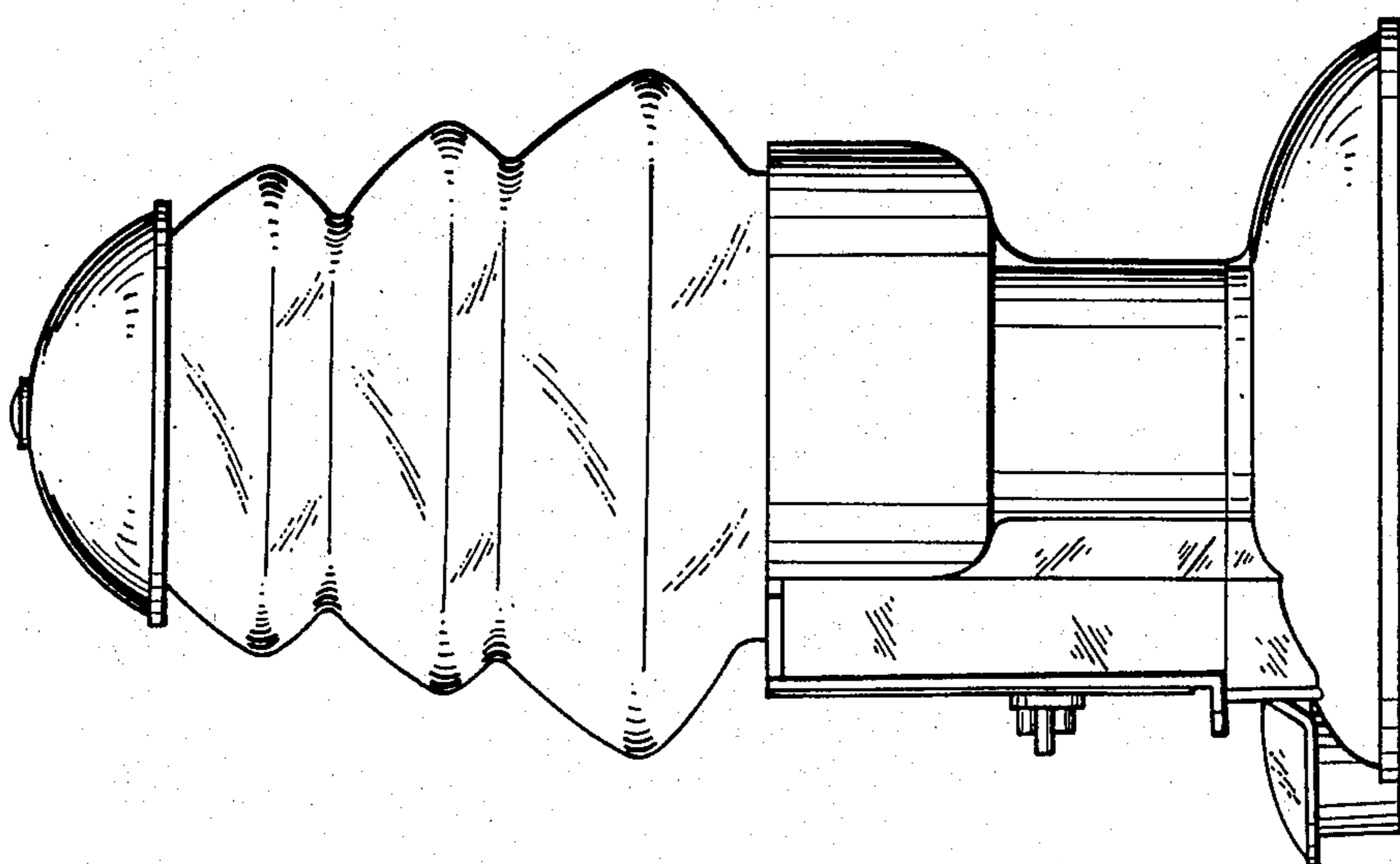


FIG. 5

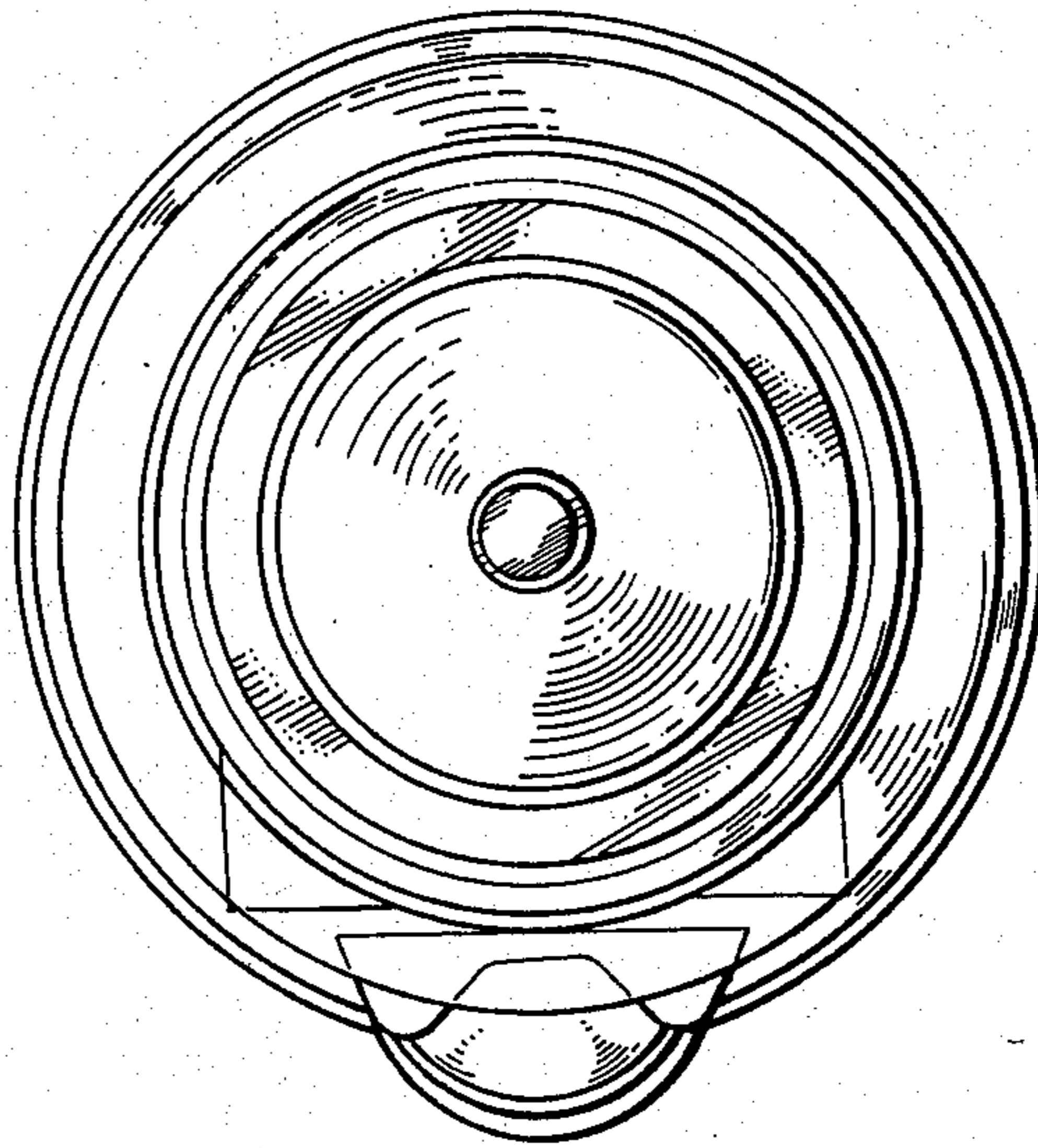


FIG. 6

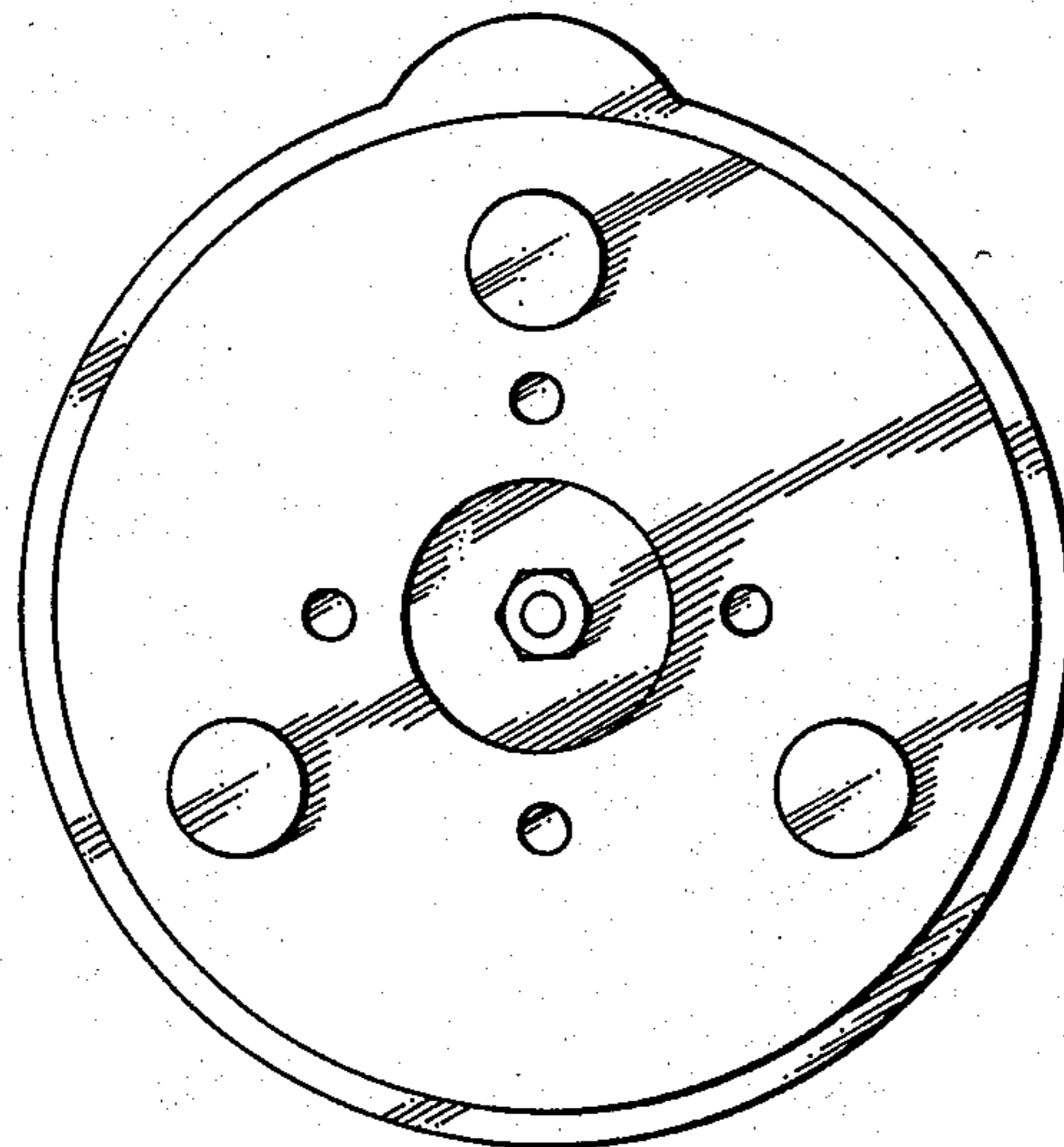


FIG. 7