

[54] PERCUSSION MUSICAL INSTRUMENT

4,362,080 12/1982 De Armas 84/402 X

[76] Inventors: Richard A. Benson; Peter A. Scott,
both of Green Hedges, Wrotham
Road, Meopham, Kent, England,
DA13 OHW

OTHER PUBLICATIONS

Targe & Dinner catalog, p. 292, top left-standard cow
bells.

[**] Term: 14 Years

Primary Examiner—Bernard Ansher
Assistant Examiner—Theodore M. Shooman
Attorney, Agent, or Firm—Banner, Birch, McKie &
Beckett

[21] Appl. No.: 916,858

[22] Filed: Oct. 8, 1986

[52] U.S. Cl. D17/22; D17/99;
84/402

[58] Field of Search D17/22, 99; 84/402,
84/402 A, 402 C

[57] CLAIM

The ornamental design for percussion musical instru-
ment, as shown.

[56] References Cited

U.S. PATENT DOCUMENTS

D. 222,506 10/1971 Doty D17/99
3,439,572 4/1969 Cohen 84/402

DESCRIPTION

FIG. 1 is a top, front, and left side perspective view of
a percussion musical instrument showing our new de-
sign; and
FIG. 2 is a bottom, rear, and right side perspective view
thereof.

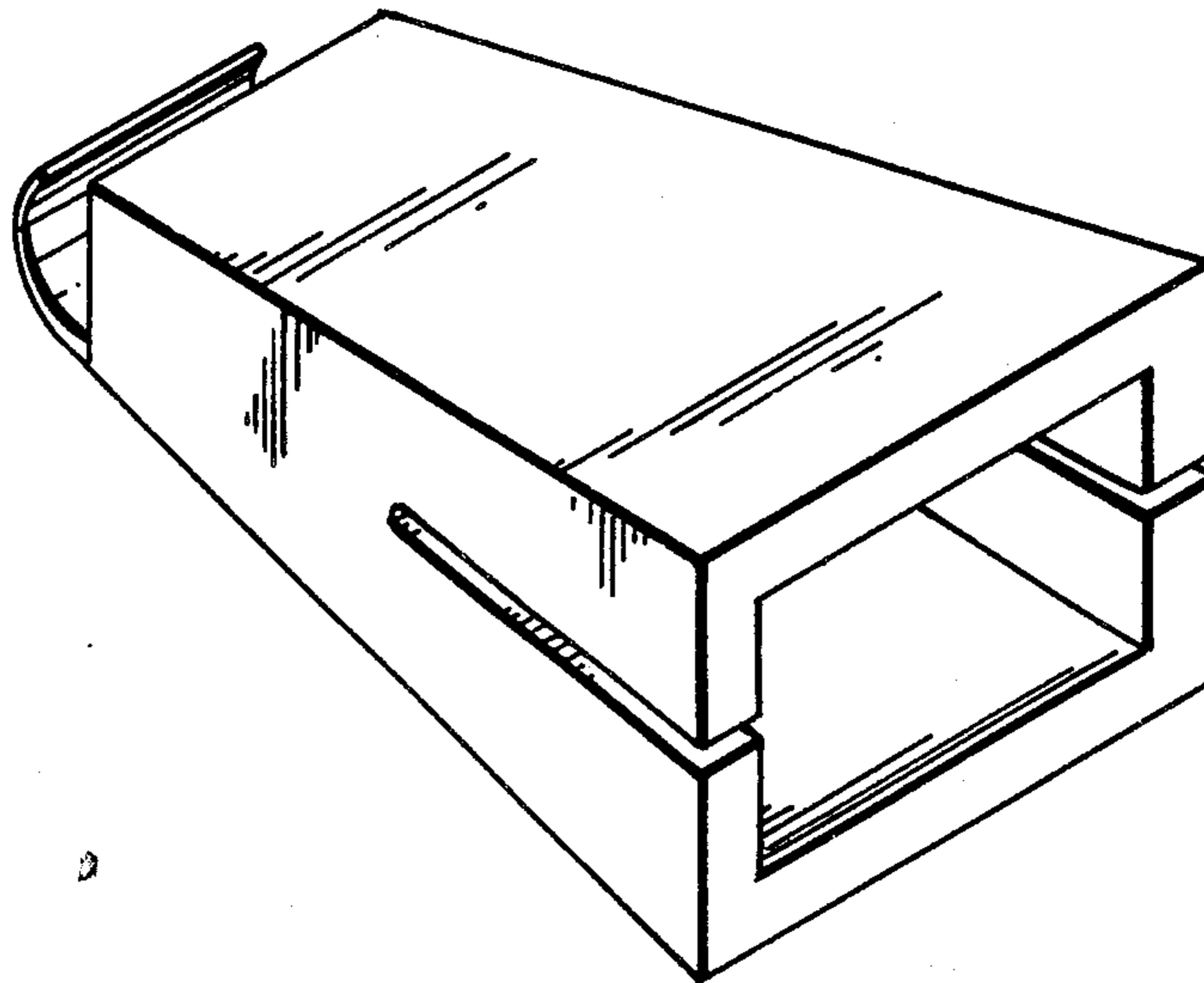


Fig. 1.

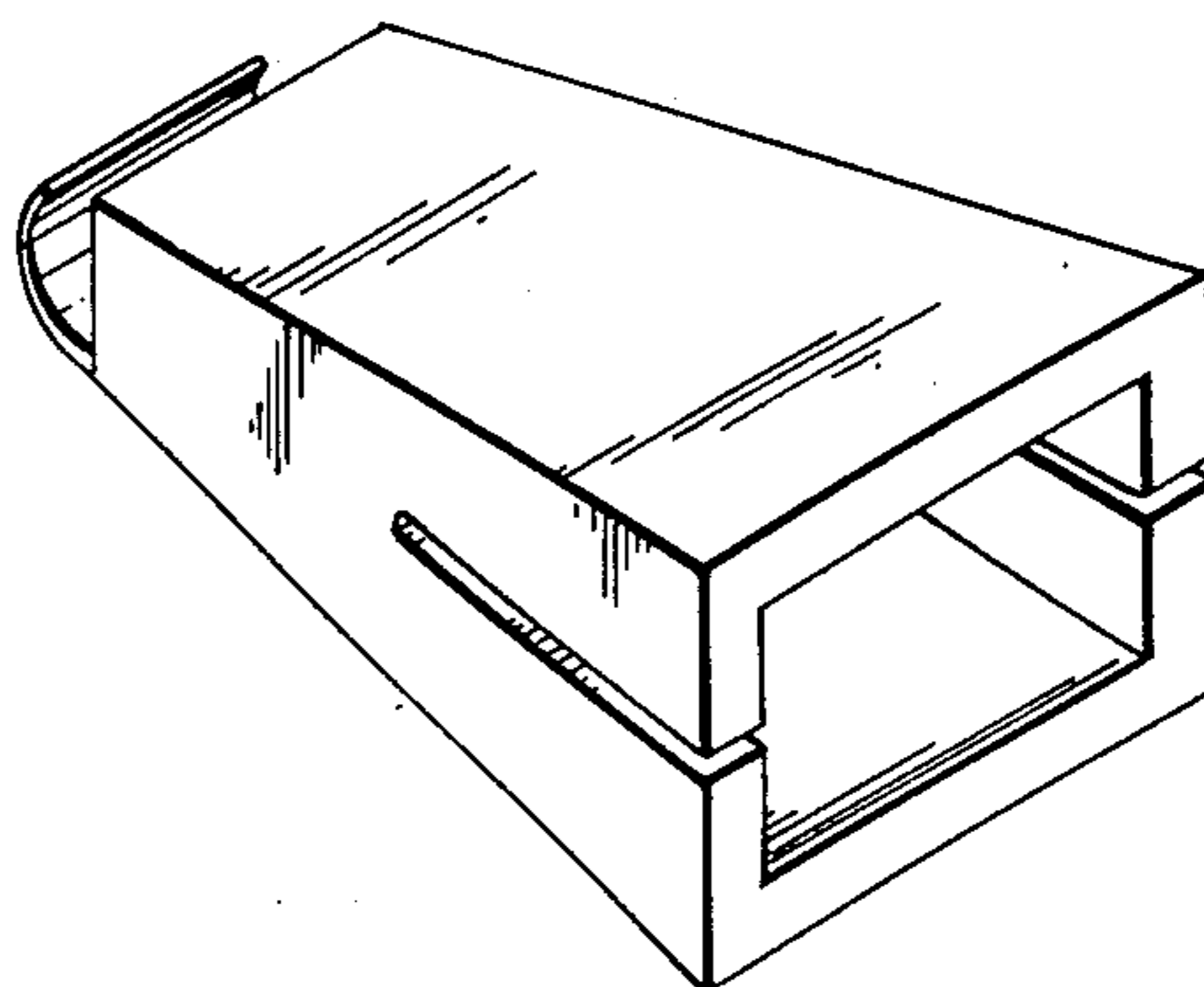


Fig. 2.

