

# United States Patent [19]

Katoh et al.

[11] Patent Number: **Des. 298,539**

[45] Date of Patent: **\*\* Nov. 15, 1988**

[54] **TRACTOR**

[75] Inventors: **Hisato Katoh, Sakai; Teruo Shimamura, Nishinomiya, both of Japan**

[73] Assignee: **Kubota, Ltd., Shikitsuhigashi, Japan**

[\*\*] Term: **14 Years**

[21] Appl. No.: **929,214**

[22] Filed: **Nov. 10, 1986**

[52] U.S. Cl. .... **D15/23**

[58] Field of Search ..... **D15/10-12, D15/15, 22-23, 25-26, 28, 30-33; 180/89.12, 89.1, 89.19; 56/320.1, 320.2, DIG. 22, 13.4**

[56] **References Cited**

### U.S. PATENT DOCUMENTS

D. 227,392 6/1973 Skyer et al. .... **D15/15**

D. 243,270 2/1977 Ehrlin et al. .... **D15/15**  
D. 248,655 7/1978 Klein ..... **D15/15**  
D. 284,968 8/1986 Watanabe et al. .... **D15/15**  
3,796,277 3/1974 Gordon ..... **180/69.22**

*Primary Examiner*—Wallace R. Burke  
*Assistant Examiner*—Ruth Takemoto  
*Attorney, Agent, or Firm*—Gifford, Groh, VanOphem, Sheridan, Sprinkle and Dolgorukov

### [57] CLAIM

The ornamental design of a tractor, as shown and described.

### DESCRIPTION

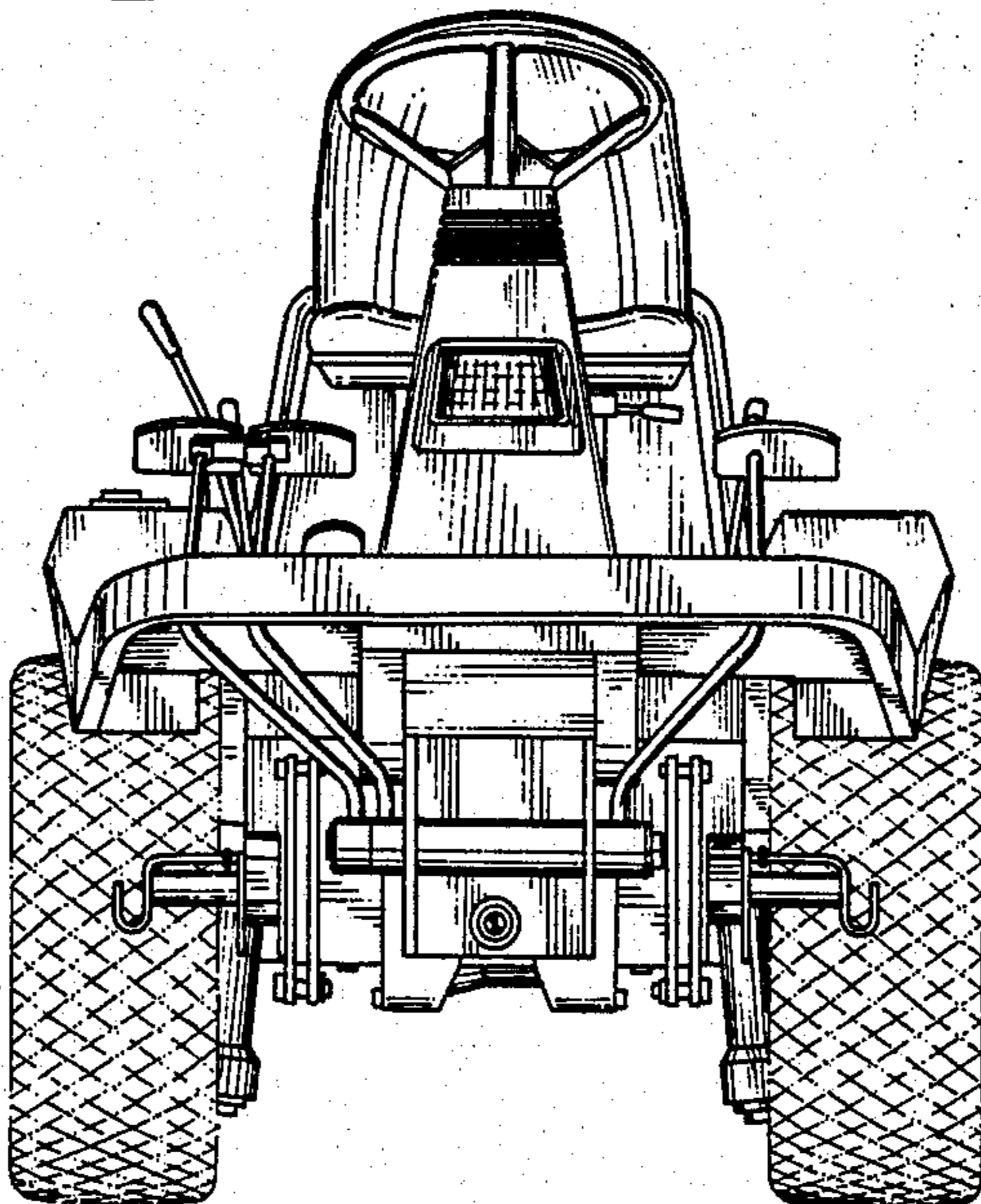
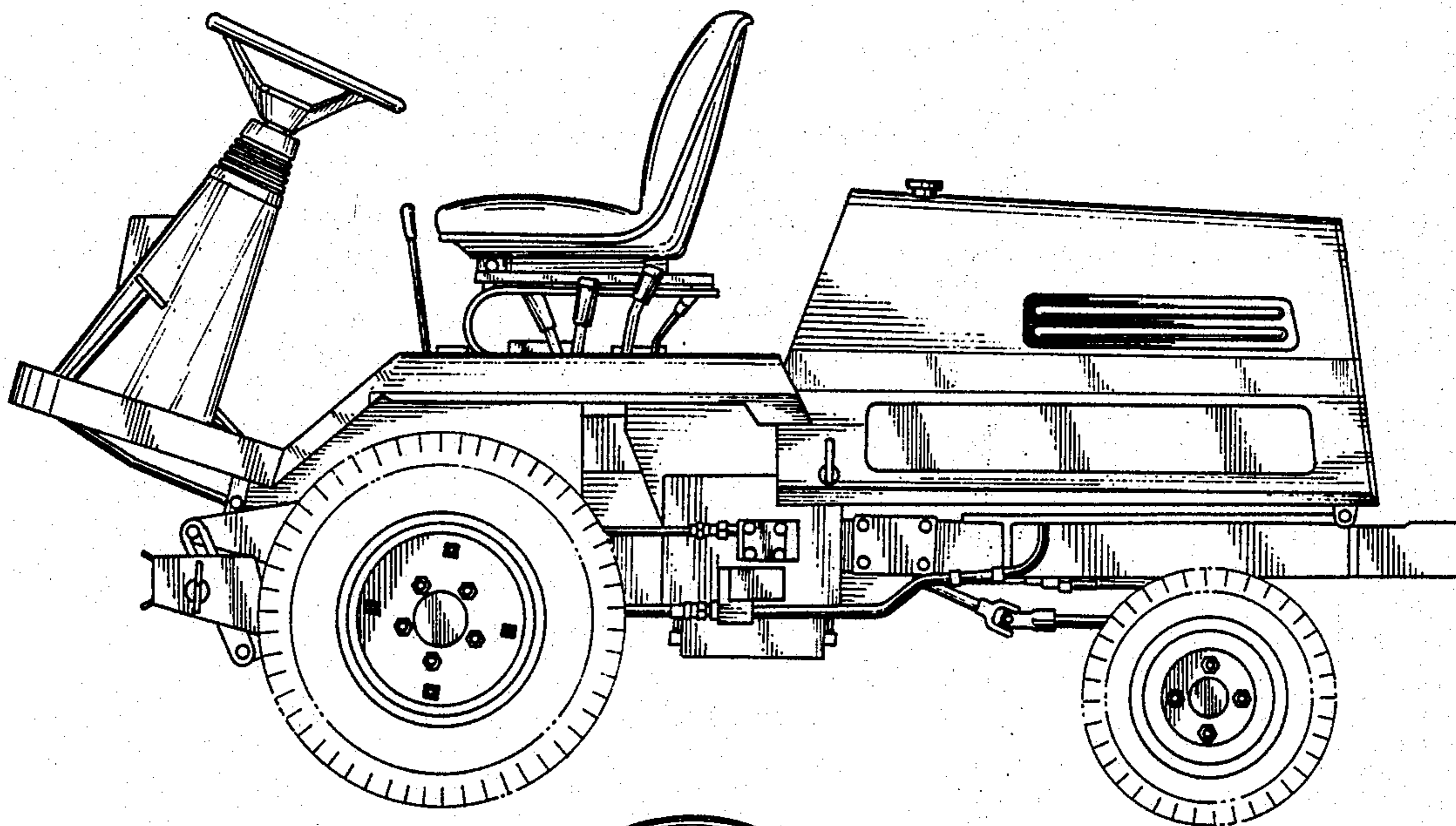
FIG. 1 is a right side elevational view of a tractor showing our new design;

FIG. 2 is a left side elevational view thereof;

FIG. 3 is a top plan view thereof;

FIG. 4 is a front elevational view thereof; and

FIG. 5 is a rear elevational view thereof.



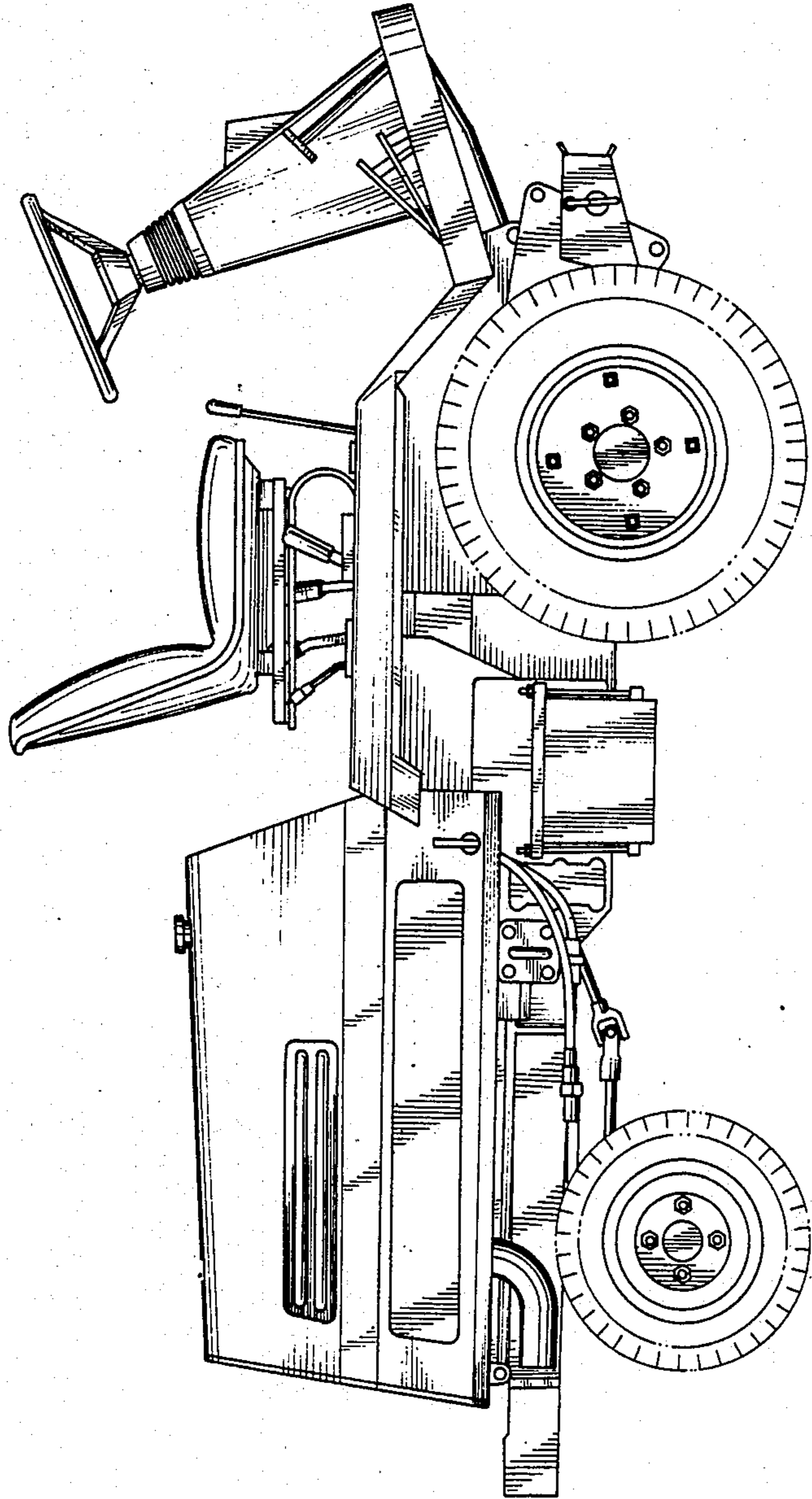


Fig. 1



Fig. 2

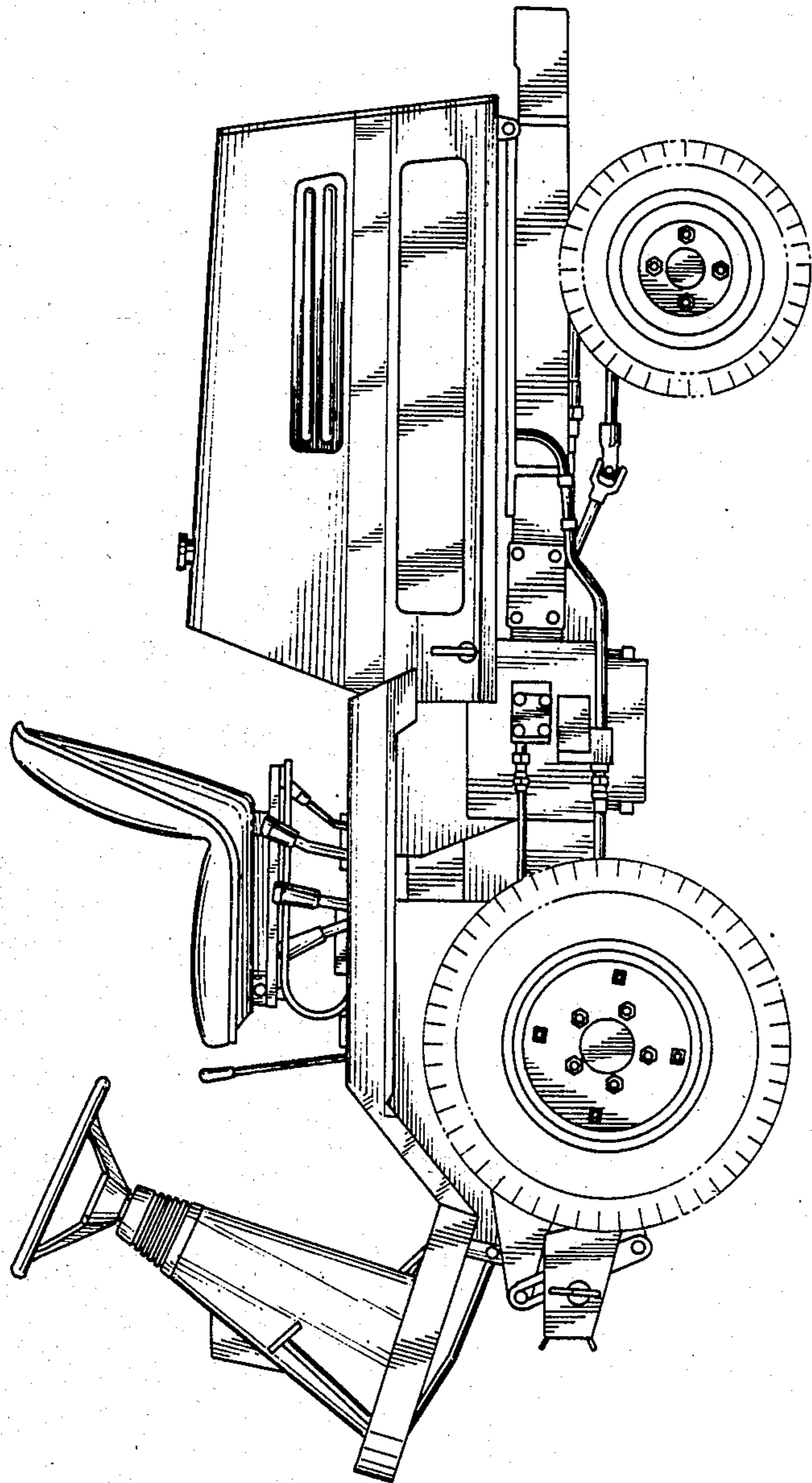


Fig. 3

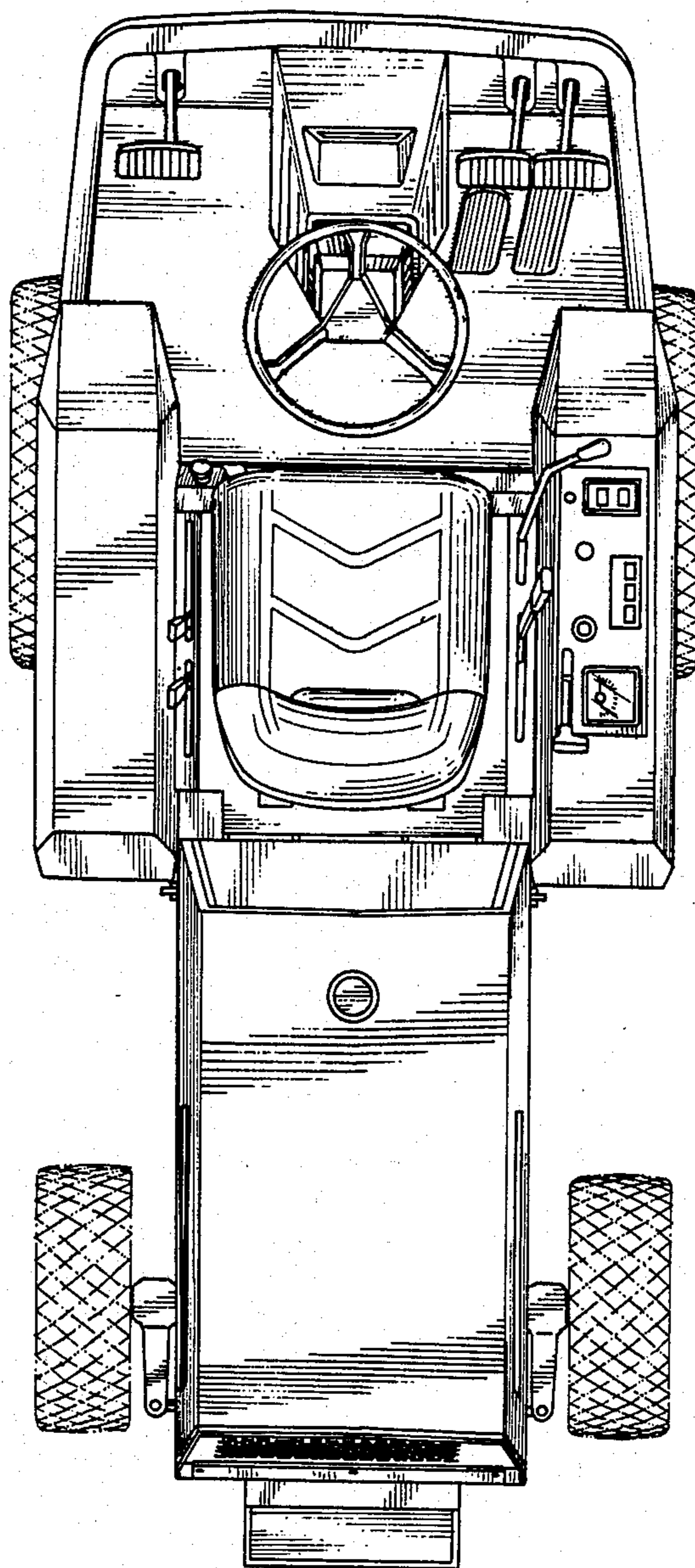


Fig.5

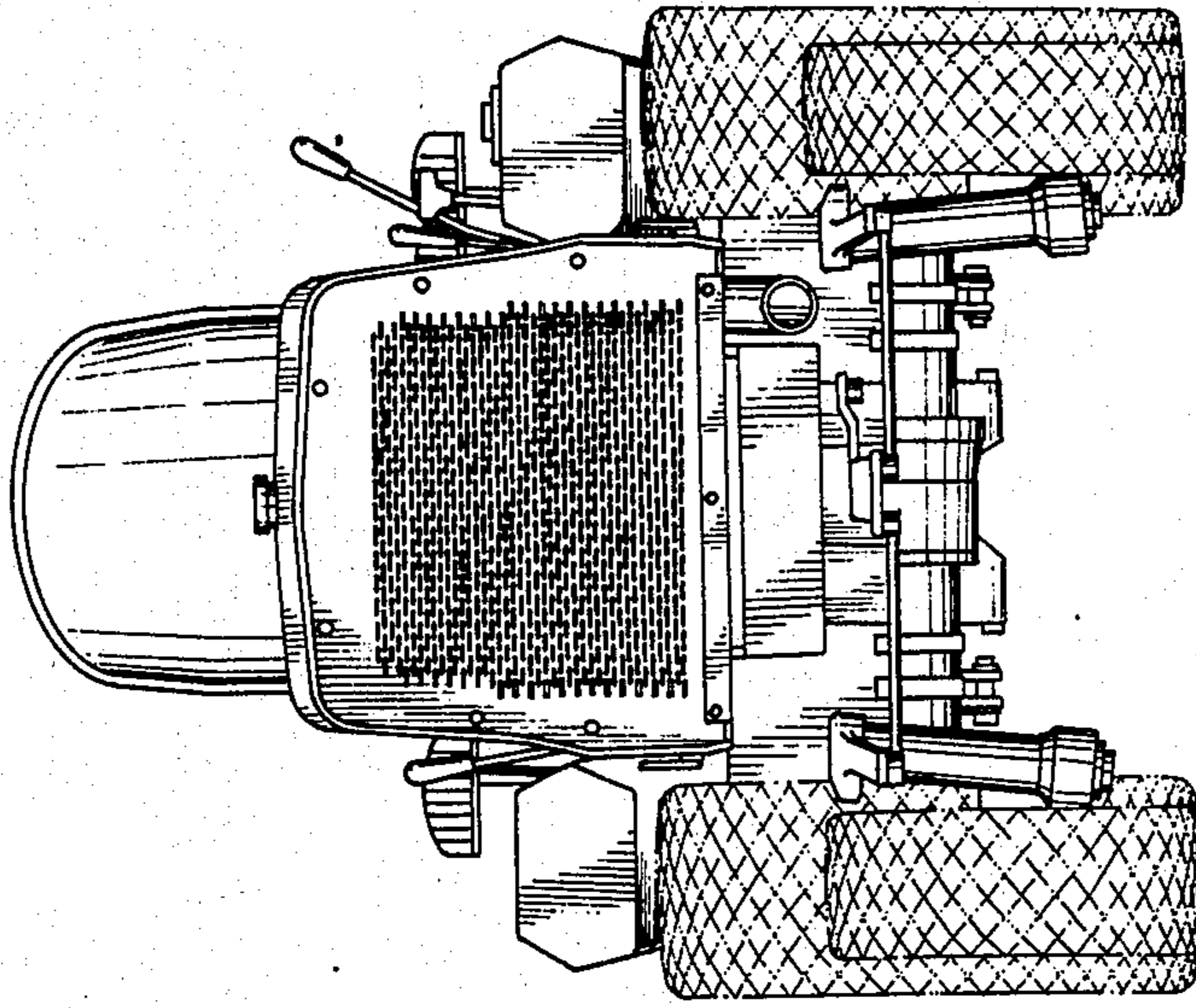


Fig.4

