

- [54] **CREDIT CARD VERIFICATION TERMINAL**  
[75] **Inventor: Paul E. Brefka, Southborough, Mass.**  
[73] **Assignee: MasterCard International, Inc., New York, N.Y.**  
[\*\*] **Term: 14 Years**  
[21] **Appl. No.: 874,349**  
[22] **Filed: Jun. 13, 1986**  
[52] **U.S. Cl. .... D14/105**  
[58] **Field of Search ..... D14/100, 105, 107, 106; 235/379, 380, 381, 382, 449, 454, 462, 470, 482**

[56] **References Cited**

**U.S. PATENT DOCUMENTS**

- |            |        |                    |         |
|------------|--------|--------------------|---------|
| D. 189,618 | 1/1961 | Noyes .....        | D14/105 |
| D. 264,467 | 5/1982 | Fischer .....      | D14/105 |
| D. 290,124 | 6/1987 | Wilson et al. .... | D14/105 |
| 4,454,414  | 6/1984 | Benton .....       | 235/379 |

*Primary Examiner*—Susan J. Lucas

*Attorney, Agent, or Firm*—Brumbaugh, Graves, Donohue & Raymond

[57] **CLAIM**

The ornamental design for a credit card verification terminal, as shown and described.

**DESCRIPTION**

FIG. 1 is a top perspective view of a credit card authorization terminal showing my new design with the bottom supporting leg in extended position.

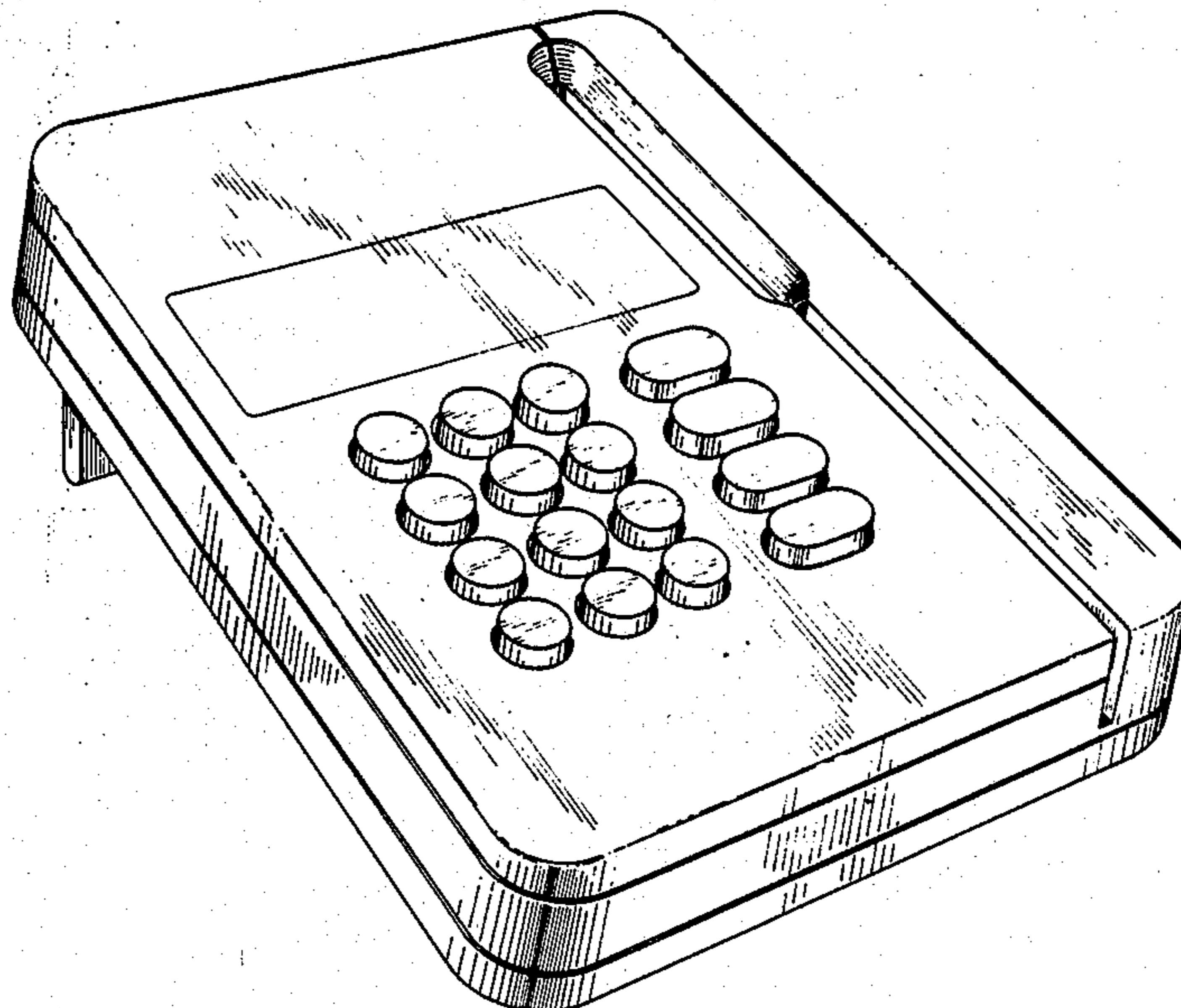
FIG. 2 is a top plan view thereof on a reduced scale;

FIG. 3 is a front elevational view thereof on a reduced scale with the bottom supporting leg in the retracted position;

FIG. 4 is a rear elevation view thereof on a reduced scale;

FIG. 5 is a side elevational view thereof on a reduced scale with the supporting leg in the extended position, the opposite side being a mirror image; and

FIG. 6 is a rear elevational view thereof with the leg in the extended position.



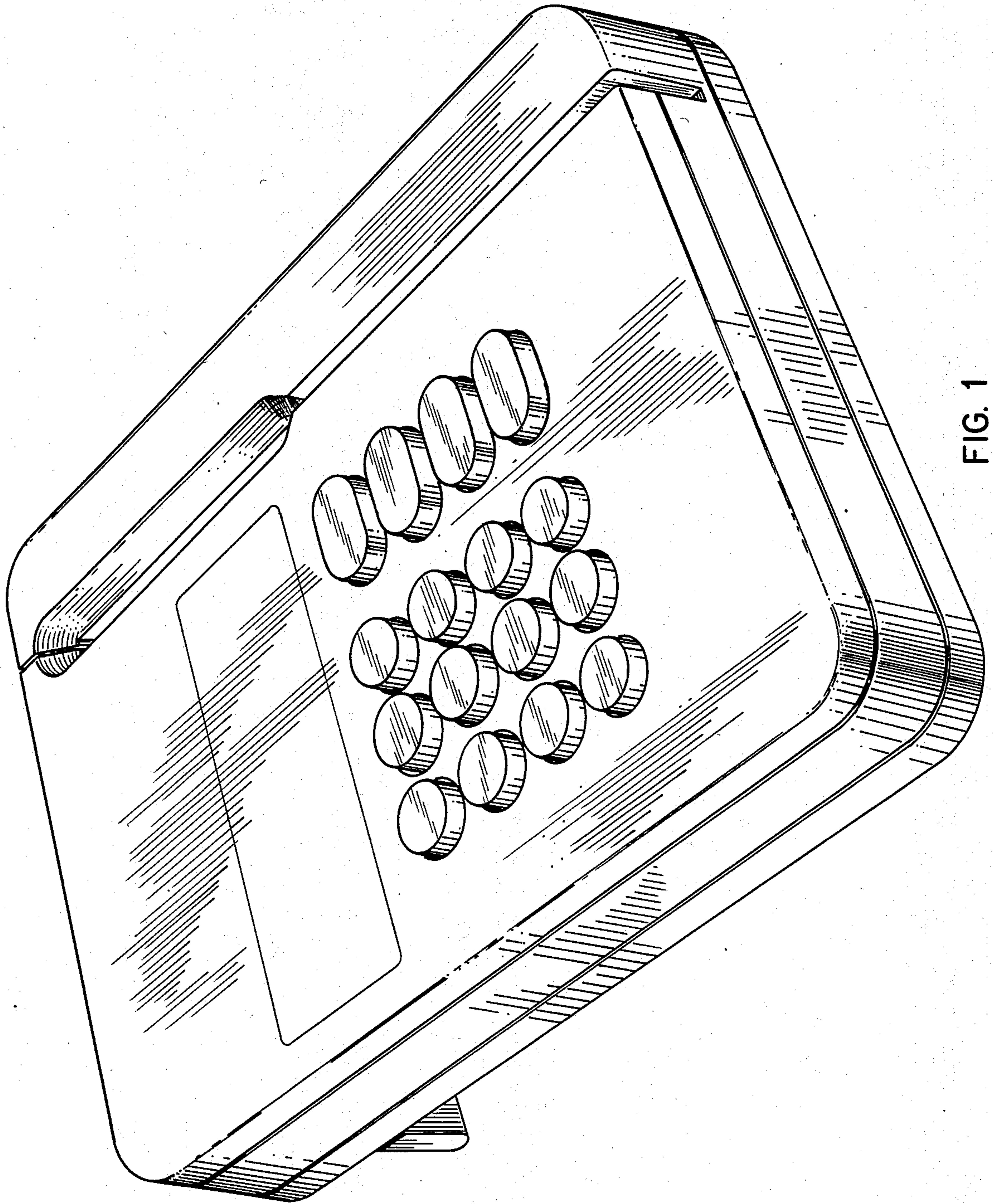


FIG. 1



FIG. 4

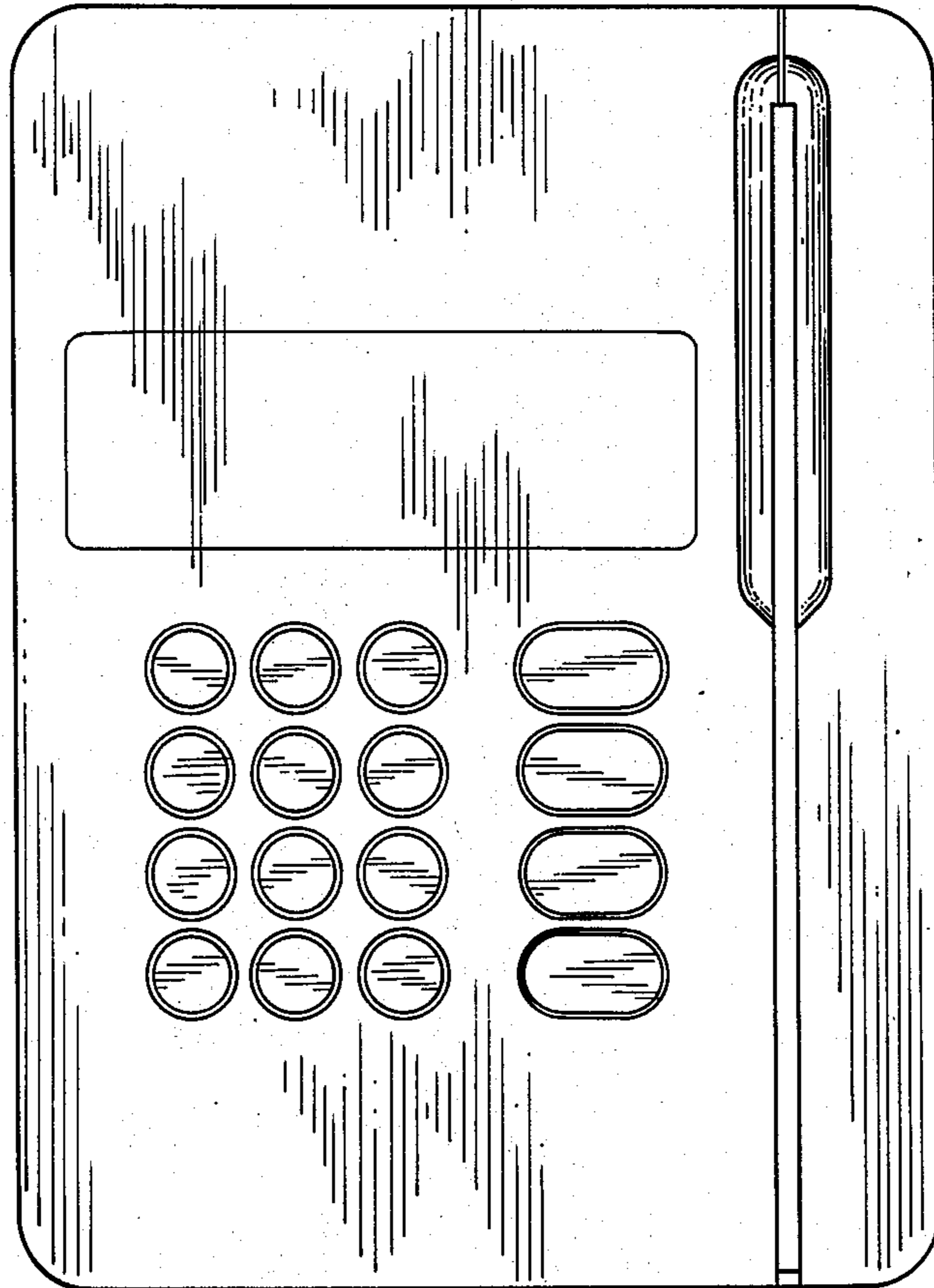


FIG. 2

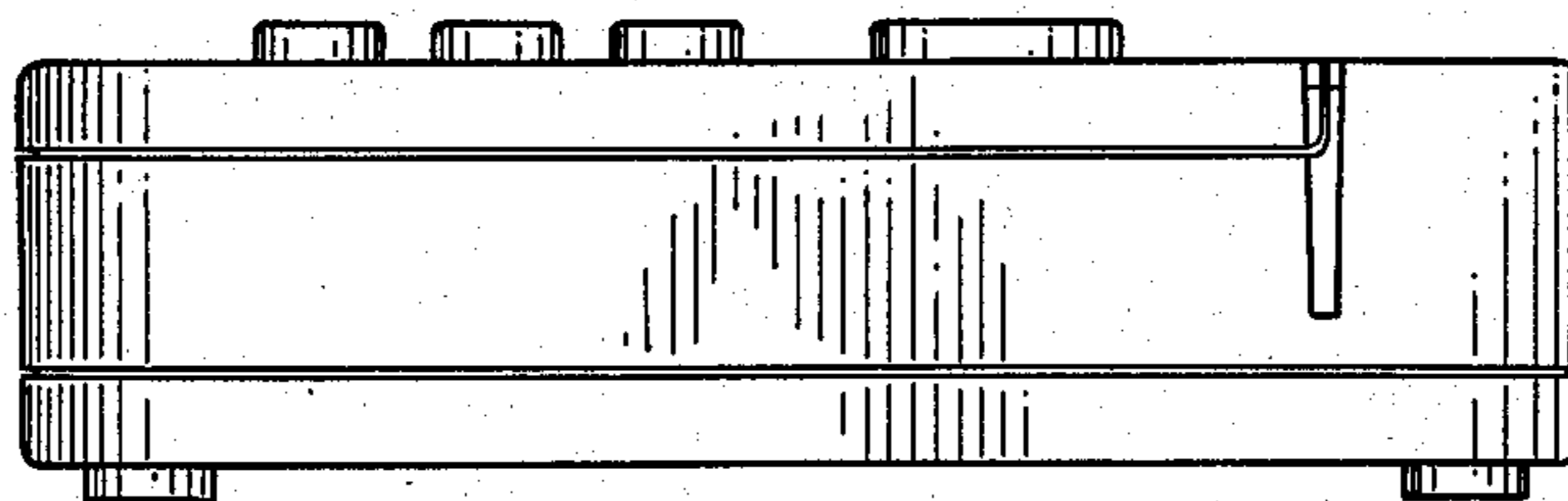


FIG. 3

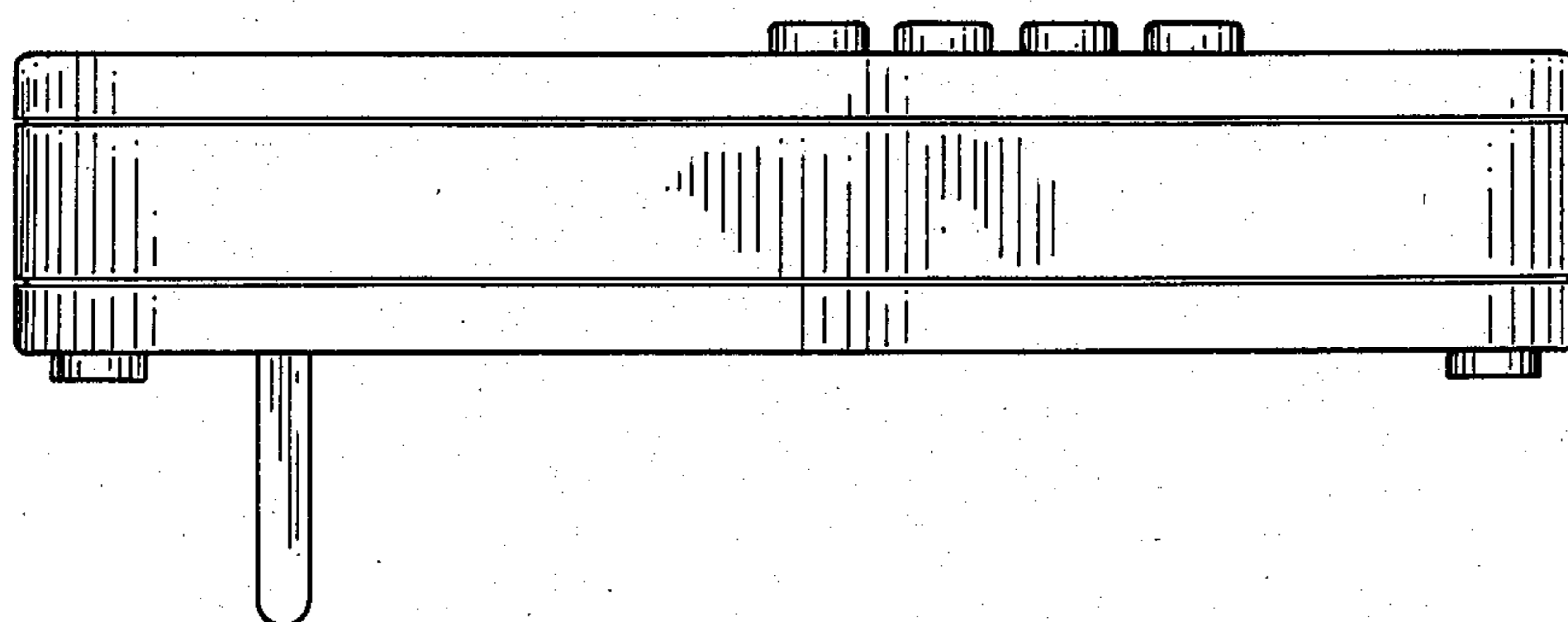


FIG. 5

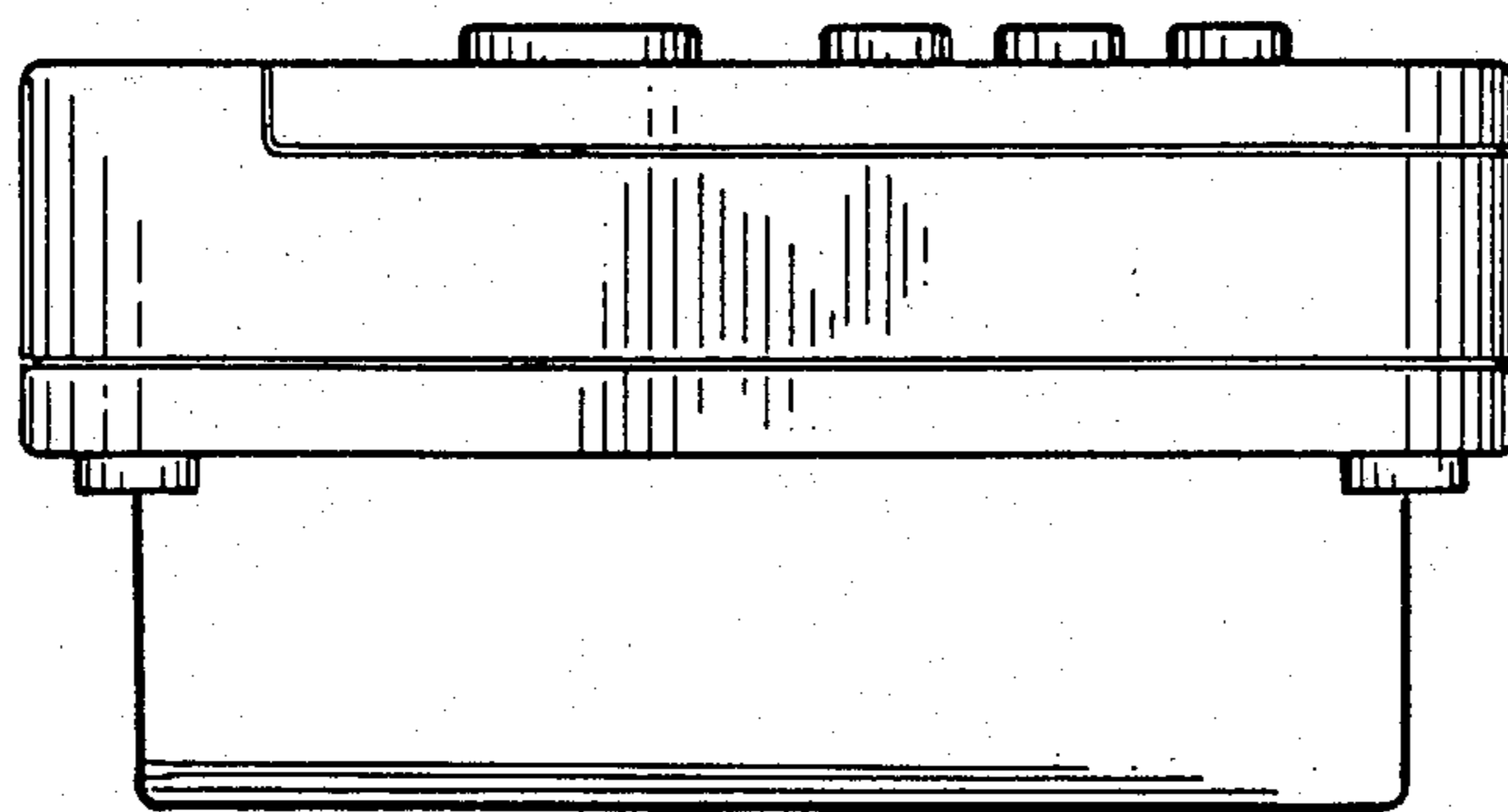


FIG. 6