

[54] VEHICLE WHEEL

[75] Inventor: Manfred Lorinser, Waiblingen, Fed. Rep. of Germany

[73] Assignee: Sport-Service-Lorinser Sportliche Autoausrüstung GmbH, Waiblingen, Fed. Rep. of Germany

[**] Term: 14 Years

[21] Appl. No.: 855,189

[22] Filed: Apr. 22, 1986

[30] Foreign Application Priority Data

Oct. 28, 1985 [DE] Fed. Rep. of Germany 1058

[52] U.S. Cl. D12/211

[58] Field of Search D12/209, 211; 301/64 R, 301/645 D, 65

[56] References Cited

U.S. PATENT DOCUMENTS

- D. 216,507 1/1970 Whitney D12/211
- D. 222,446 10/1971 Buerger D12/211
- D. 223,534 5/1972 Reid D12/209
- D. 235,433 6/1975 May et al. D12/211

D. 284,000 5/1986 Braungart D12/211

OTHER PUBLICATIONS

Road & Track, 1/84, p. 71, Nissan 300 ZX Wheel, center left side of page.

Road & Track, 5/84, p. 41, Jaguar XJ-40 Wheel, bottom of page.

Primary Examiner—James M. Gandy

Attorney, Agent, or Firm—Michael J. Striker

[57] CLAIM

The ornamental design for a vehicle wheel, as shown and described.

DESCRIPTION

FIG. 1 is a perspective front view of a first embodiment of a vehicle wheel embodying my new design.

FIG. 2 is a front elevation view thereof.

FIG. 3 is a side elevation view thereof.

FIG. 4 is a rear elevation view thereof.

FIG. 5 is a perspective front view of a second embodiment of a vehicle wheel embodying my new design.

FIG. 6 is a front elevation view thereof.

FIG. 7 is a side elevation view thereof.

FIG. 8 is a rear elevation view thereof.

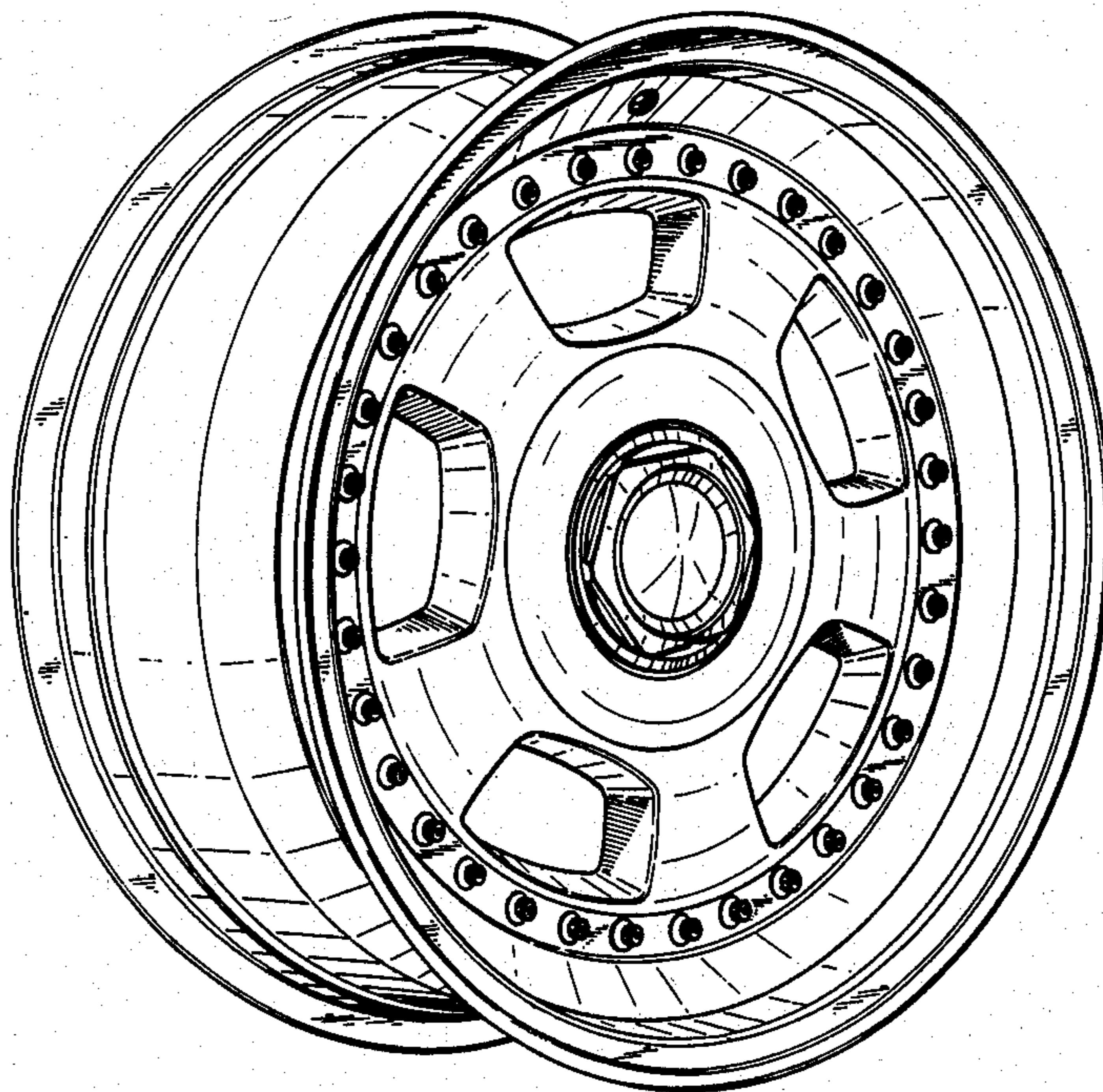


Fig. 1

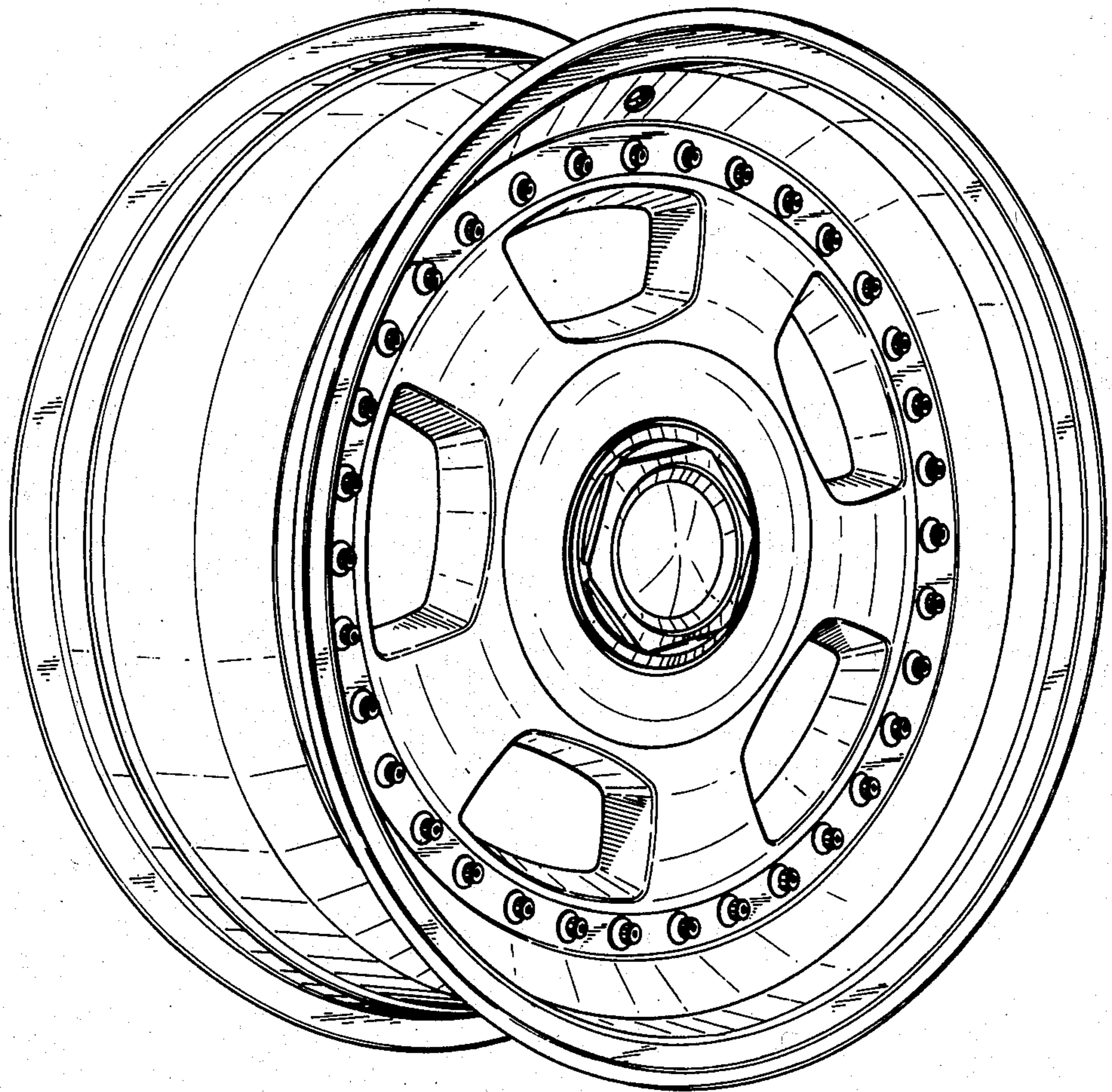


Fig. 2

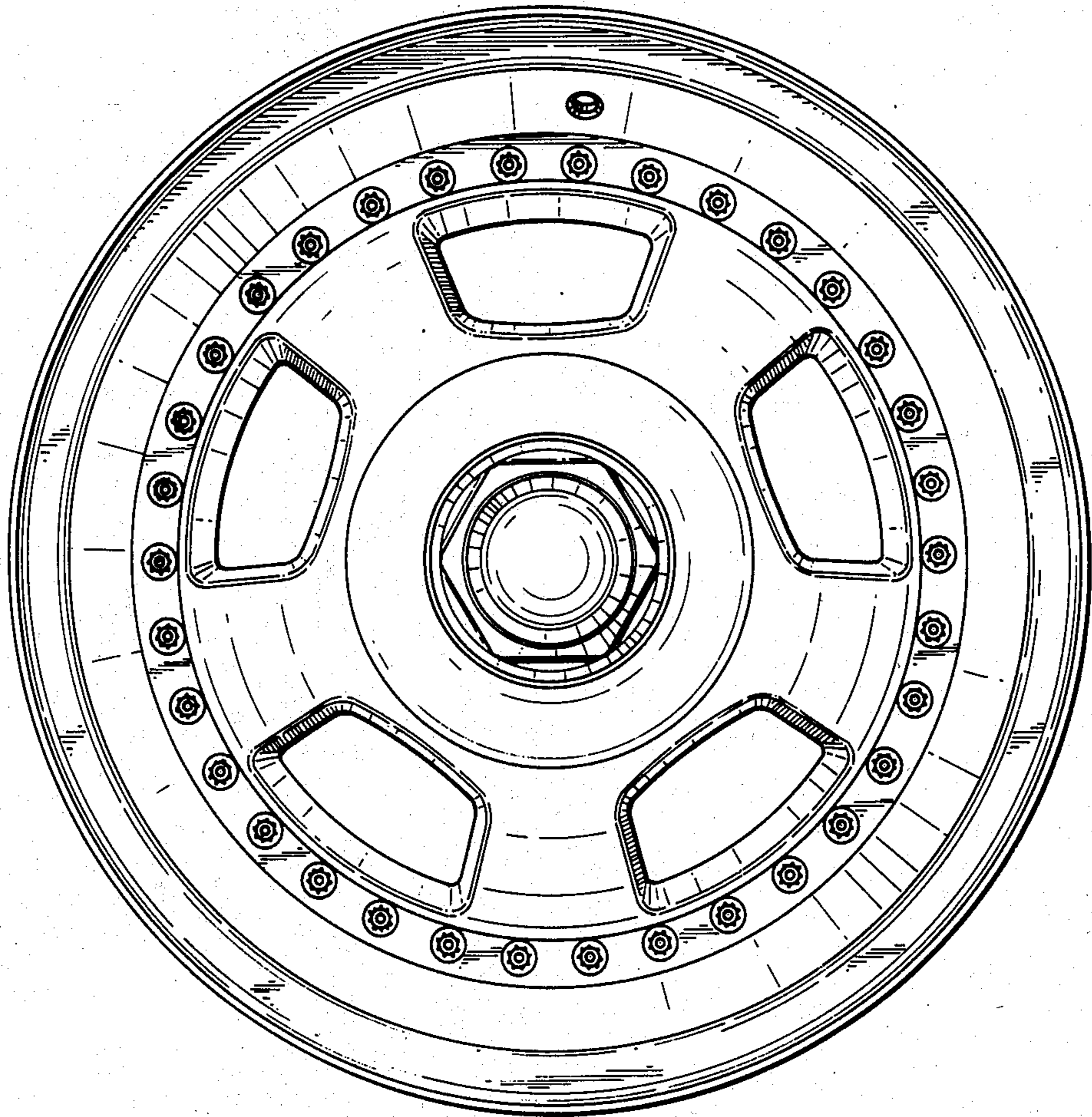


Fig. 3

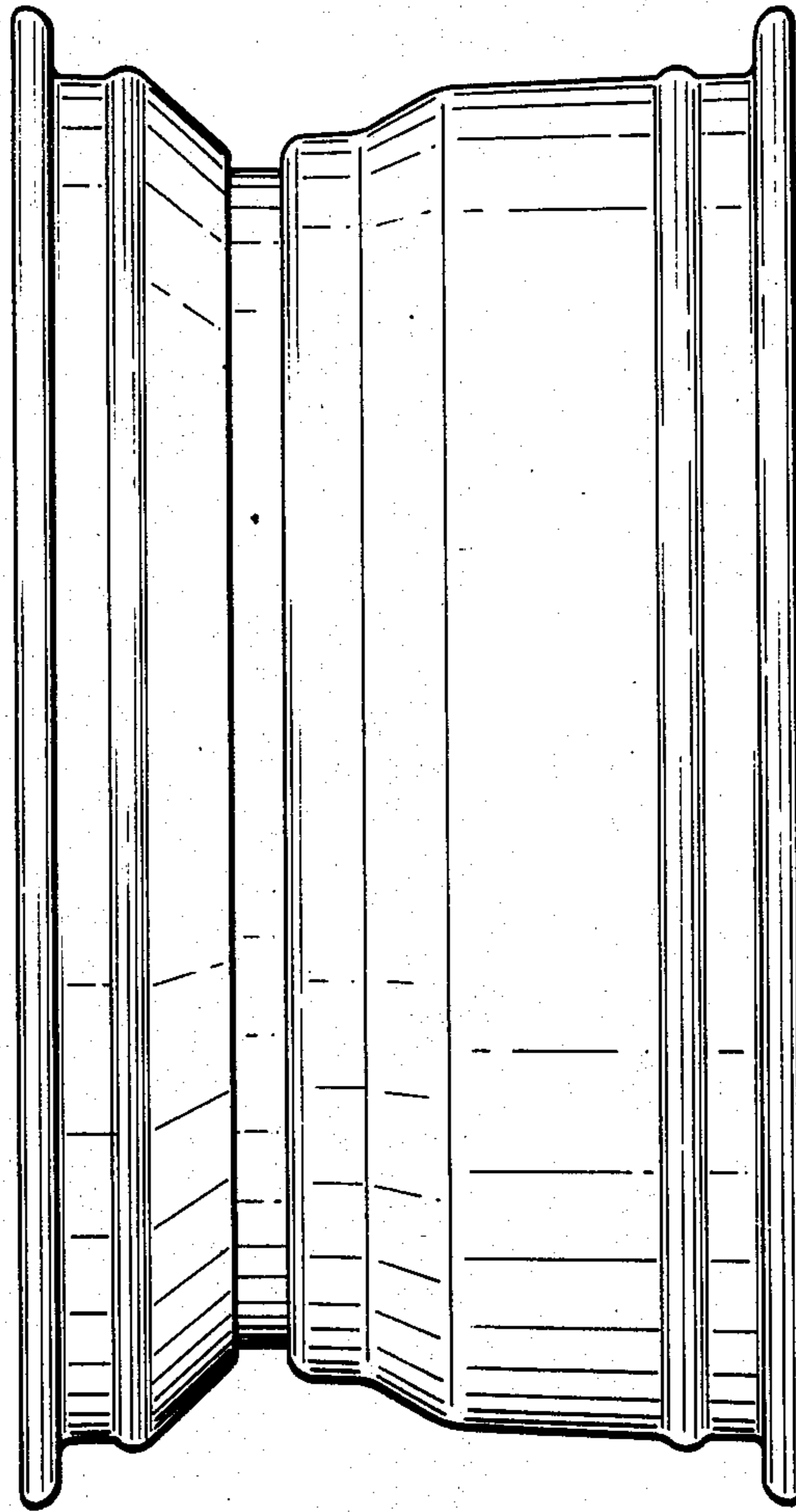


Fig. 4

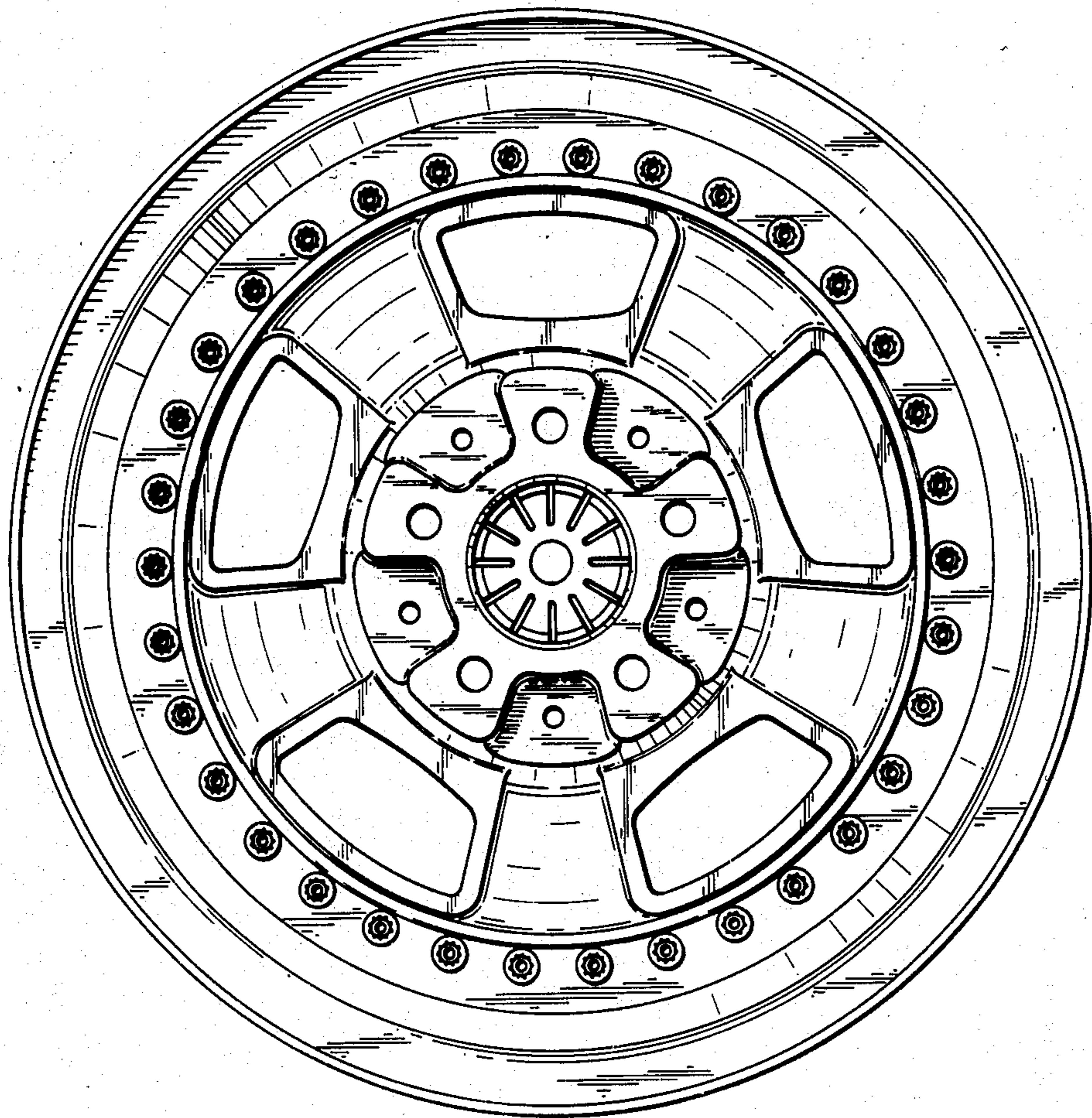


Fig. 5.

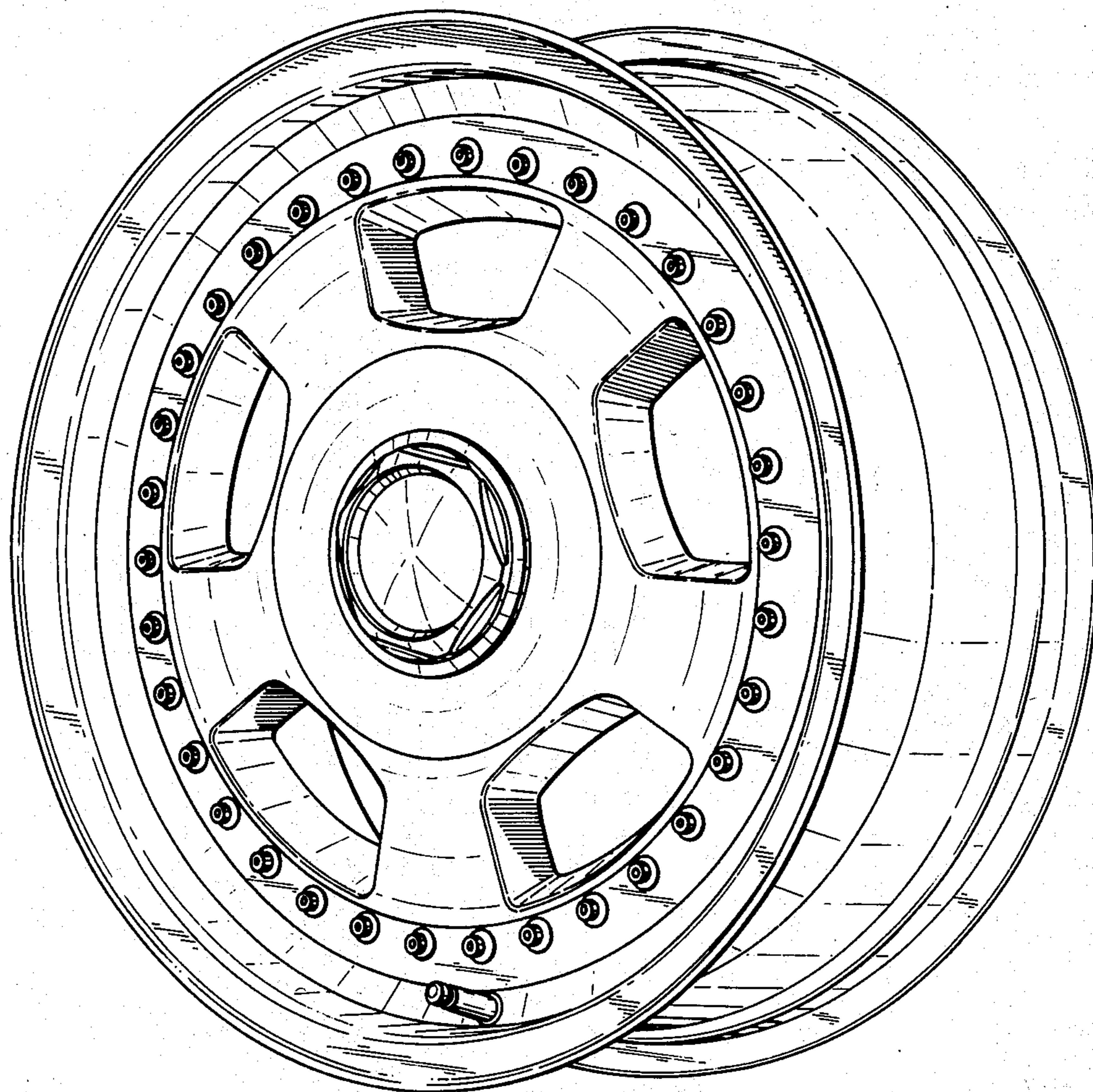


Fig. 6

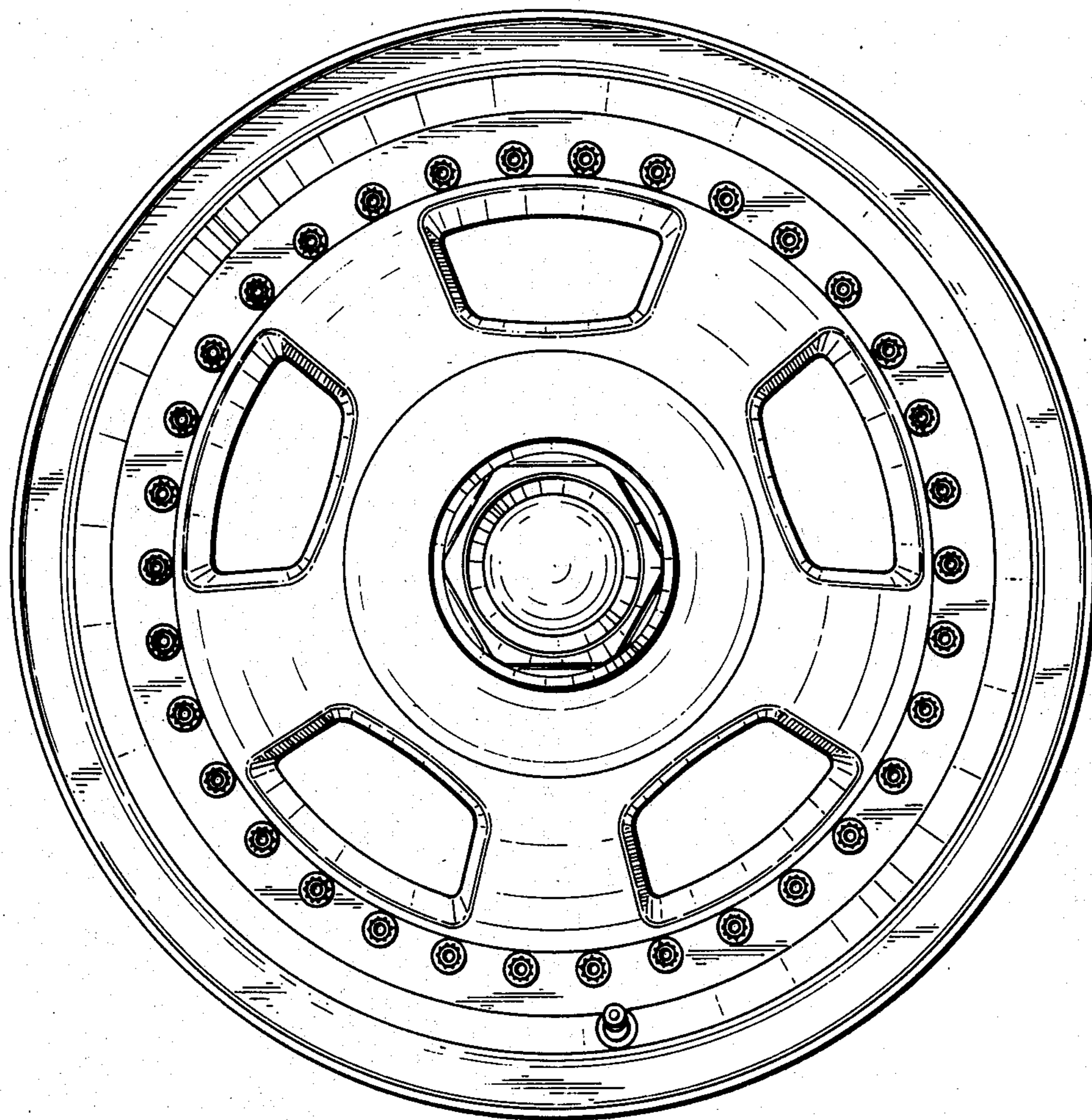


Fig. 7



Fig. 8.

