

[54] **STEERING WHEEL**

[76] **Inventor: Simon R. Green, Hazeldown Farm, Longstock, Nr. Stockbridge, Hampshire, England**

[**] **Term: 14 Years**

[21] **Appl. No.: 925,146**

[22] **Filed: Oct. 30, 1986**

[30] **Foreign Application Priority Data**

May 1, 1986 [GB] United Kingdom 1033811
May 1, 1986 [GB] United Kingdom 1033812
[52] **U.S. Cl. D12/175**
[58] **Field of Search D12/175, 176; 74/552**

[56] **References Cited**

U.S. PATENT DOCUMENTS

D. 122,793 10/1940 Forbes D12/175
D,185,009 4/1959 Lubarsky D12/175
4,161,892 7/1979 Conterno D12/176

FOREIGN PATENT DOCUMENTS

1087022 7/1958 Fed. Rep. of Germany 74/552

Primary Examiner—James M. Gandy
Attorney, Agent, or Firm—Fulwider, Patton, Rieber, Lee & Utecht

[57] **CLAIM**

The ornamental design for a steering wheel, as shown and described.

DESCRIPTION

FIG. 1 is a front elevation view of a steering wheel showing my new design;
FIG. 2 is a bottom plan view thereof;
FIG. 3 is a top plan view thereof;
FIG. 4 is a side elevation view thereof, the opposite side being a mirror image of that shown;
FIG. 5 is a rear elevation view thereof;
FIG. 6 is a front elevation view of a steering wheel showing a second embodiment of my new design it being understood that the rear is a mirror image thereof;
FIG. 7 is a bottom plan view of FIG. 6;
FIG. 8 is a top plan view of FIG. 6; and
FIG. 9 is a side elevation view of FIG. 6 the opposite side being a mirror image of that shown.

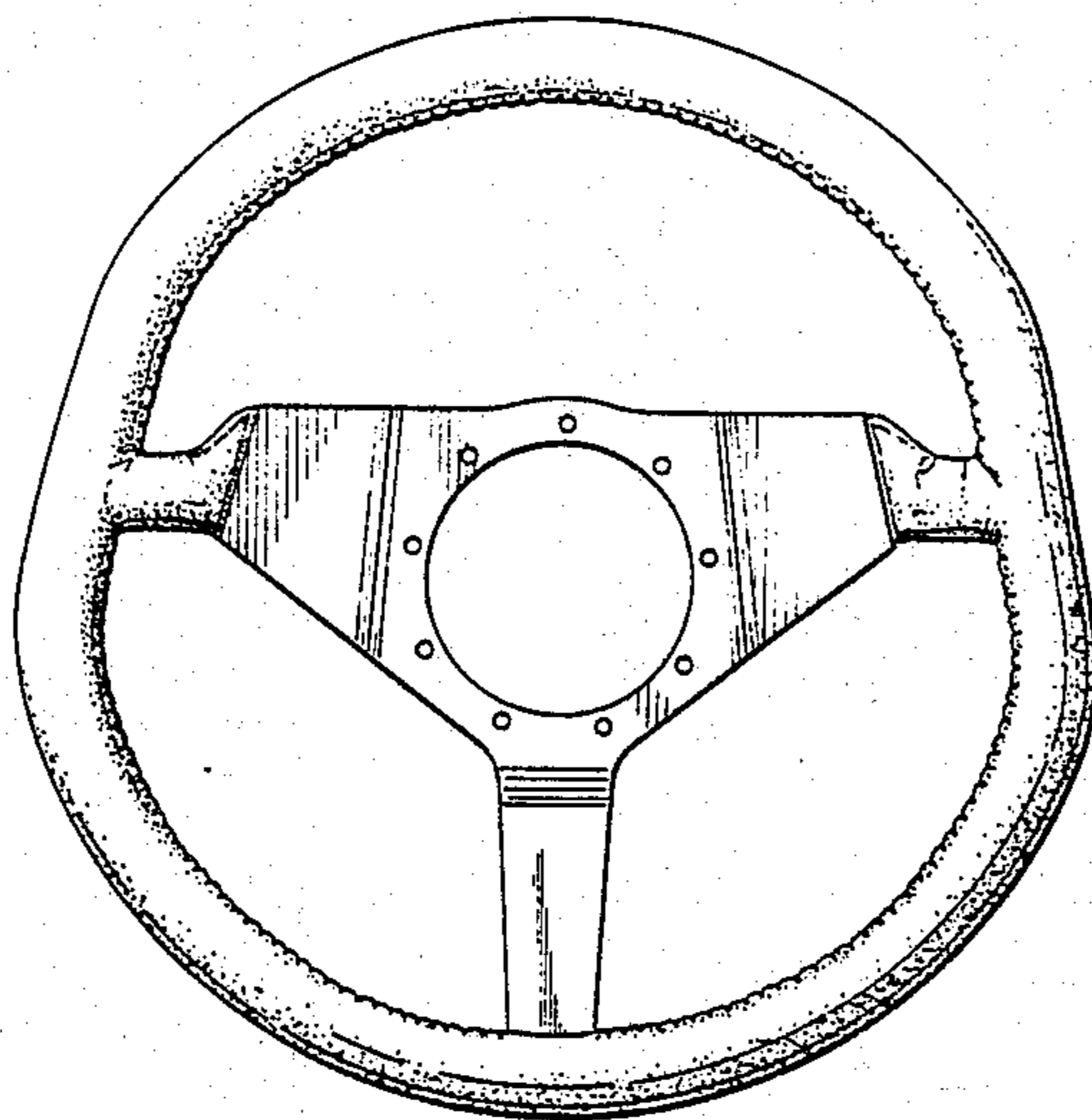


FIG. 1

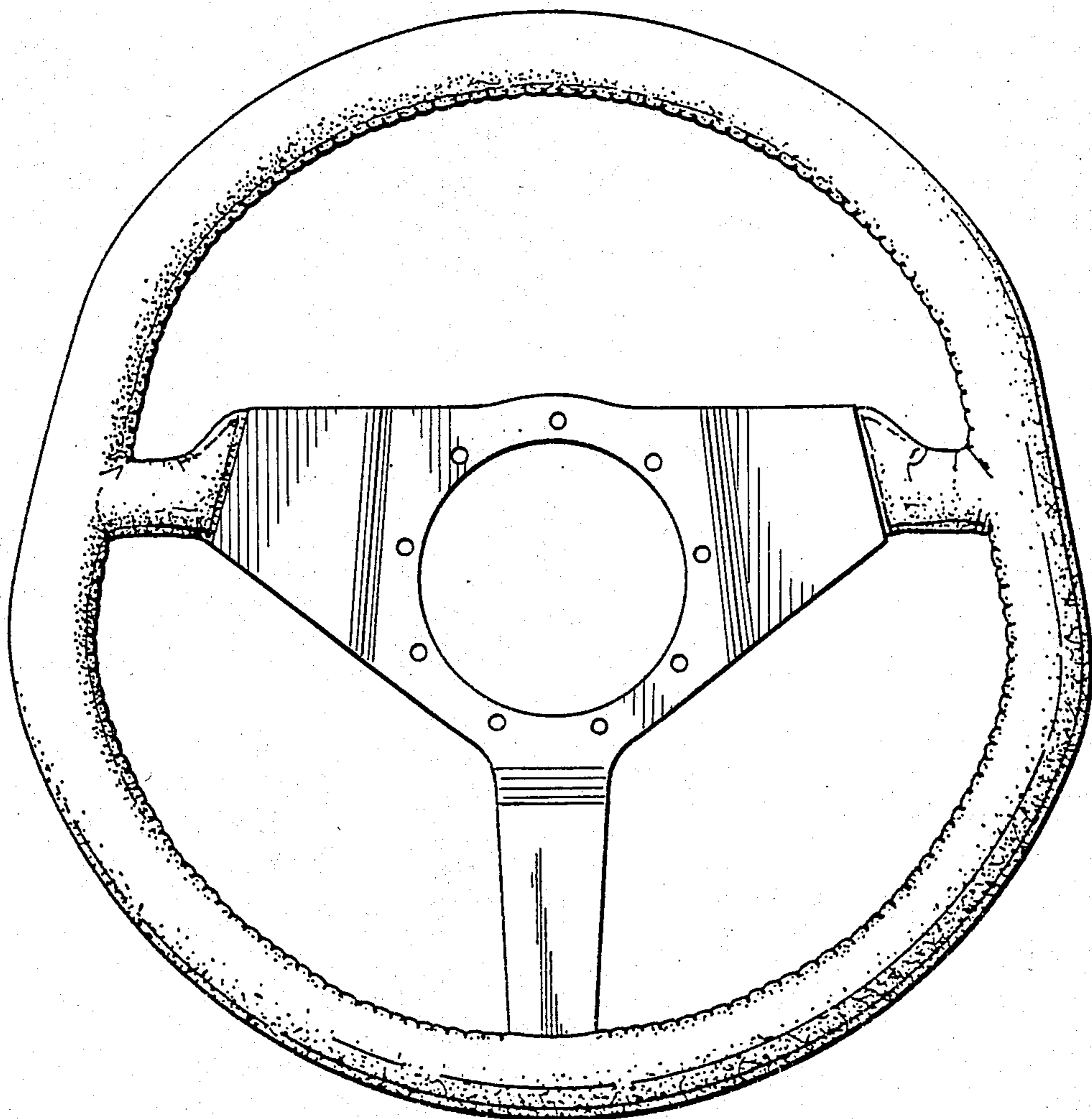


FIG. 2

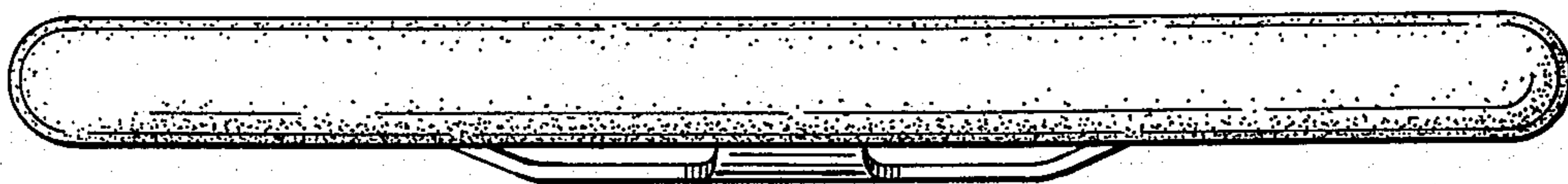


FIG. 3

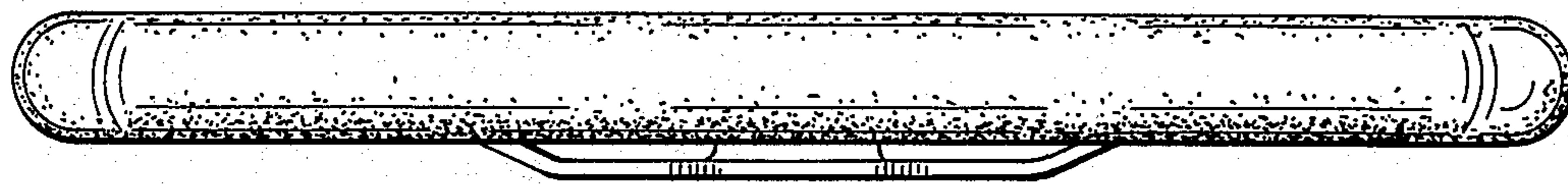


FIG. 4

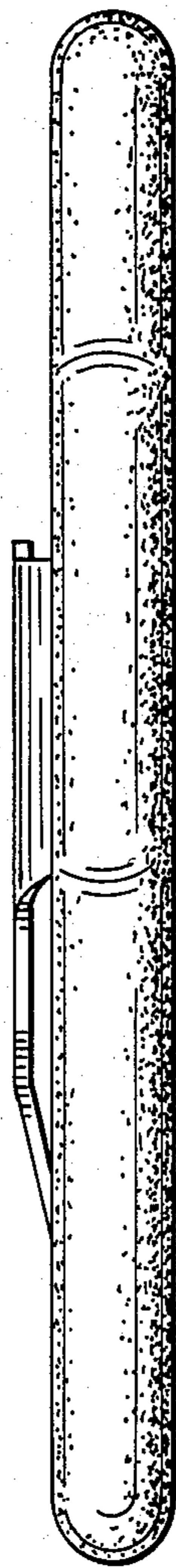


FIG. 5

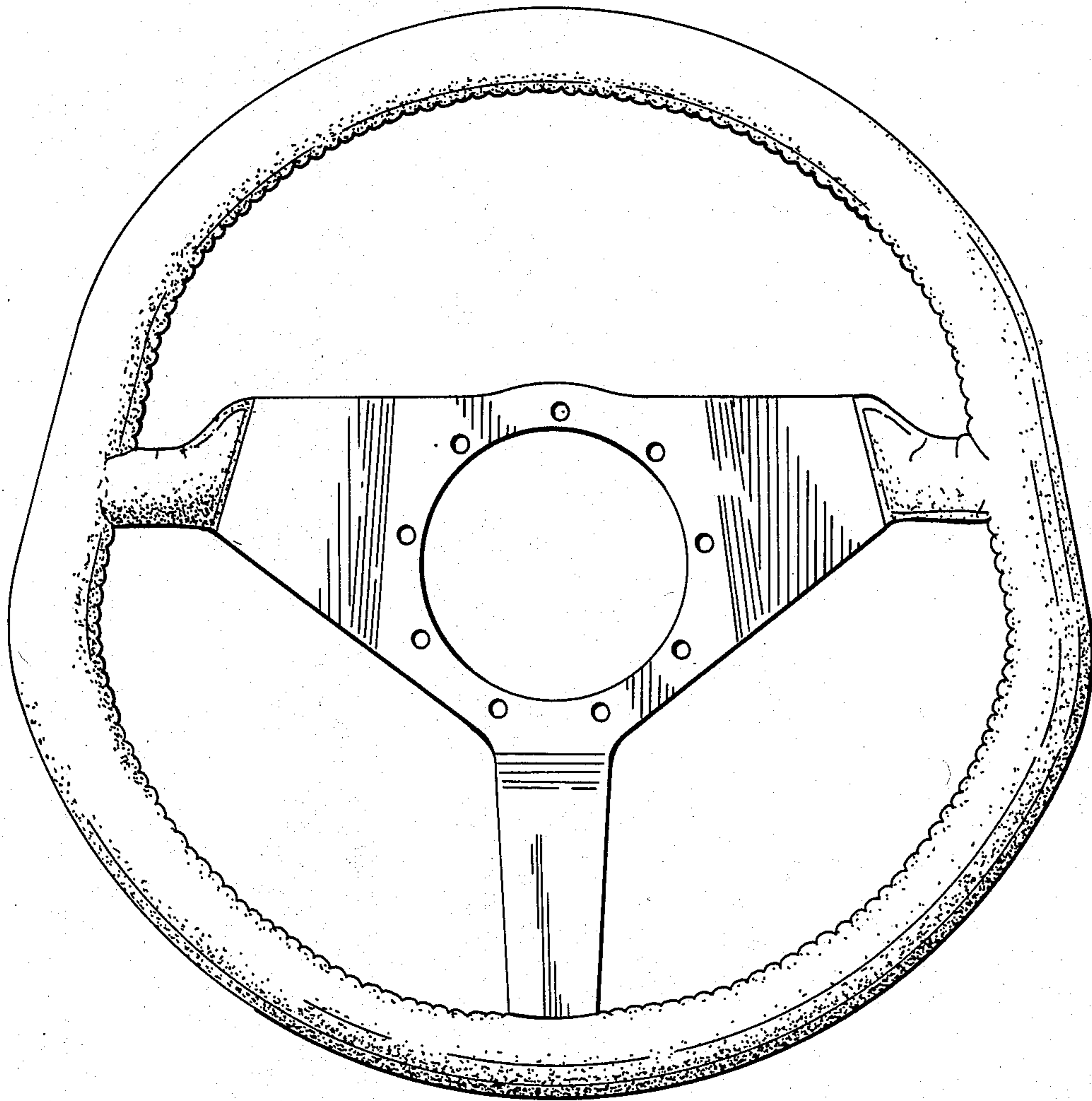


FIG. 6

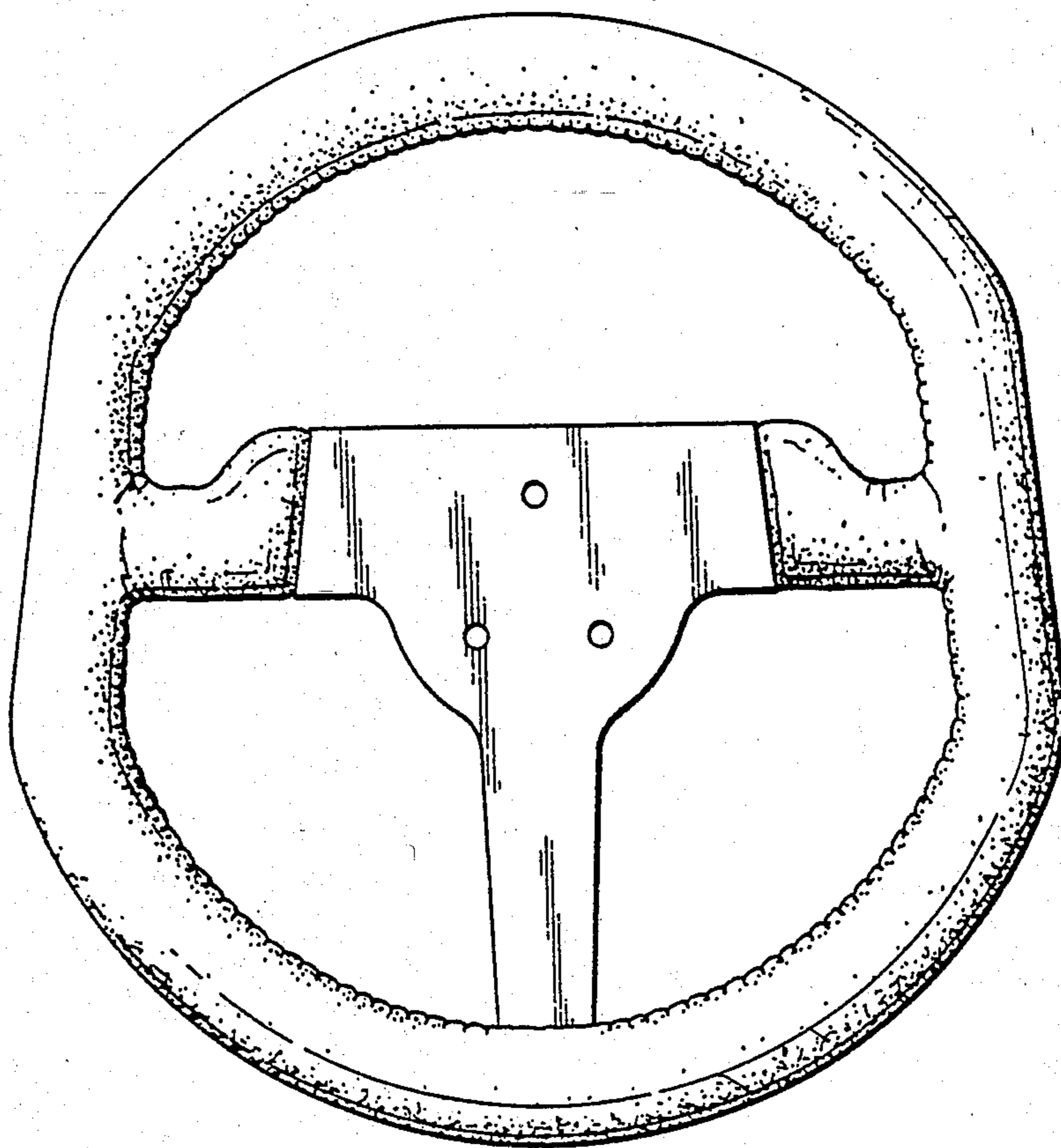


FIG. 7



FIG. 8

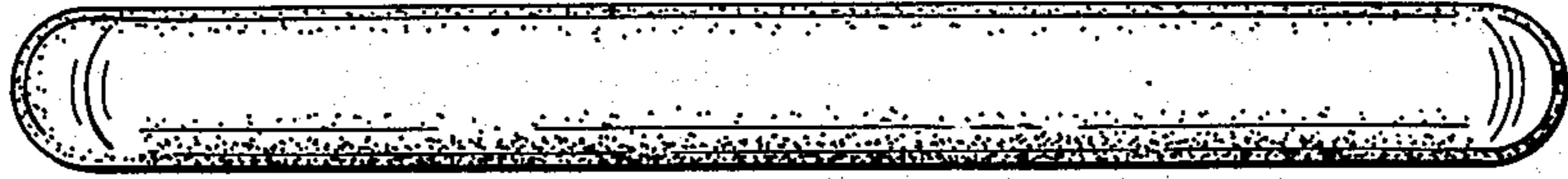


FIG. 9

