

United States Patent [19]

Brosius et al.

[11] Patent Number: Des. 298,509

[45] Date of Patent: ** Nov. 15, 1988

[54] FASTENER DRIVING TOOL

[75] Inventors: James R. Brosius; Ralph C. Brosius, both of St. Louis County, Mo.

[73] Assignee: Research Plus, Inc., St. Louis, Mo.

[**] Term: 14 Years

[21] Appl. No.: 749,508

[22] Filed: Jun. 27, 1985

[52] U.S. Cl. D8/68

[58] Field of Search D8/14, 61, 68; 81/57.11, 57.22, 57.3, 460, 464-466; 173/169, 170

[56] References Cited

U.S. PATENT DOCUMENTS

D. 221,926	9/1971	Farkas	D8/68
D. 239,917	5/1976	Baker et al.	D8/68
2,925,604	2/1960	Kopf et al.	173/170
3,654,832	4/1972	Lana	81/460

FOREIGN PATENT DOCUMENTS

2106024 4/1983 United Kingdom 81/57.11

OTHER PUBLICATIONS

Ramset brochure ©1971 Fastener #4134. New Equipment Digest 1-1977 p. 38 "Hobby-Wrap" from OK Machine & Tool Corp.

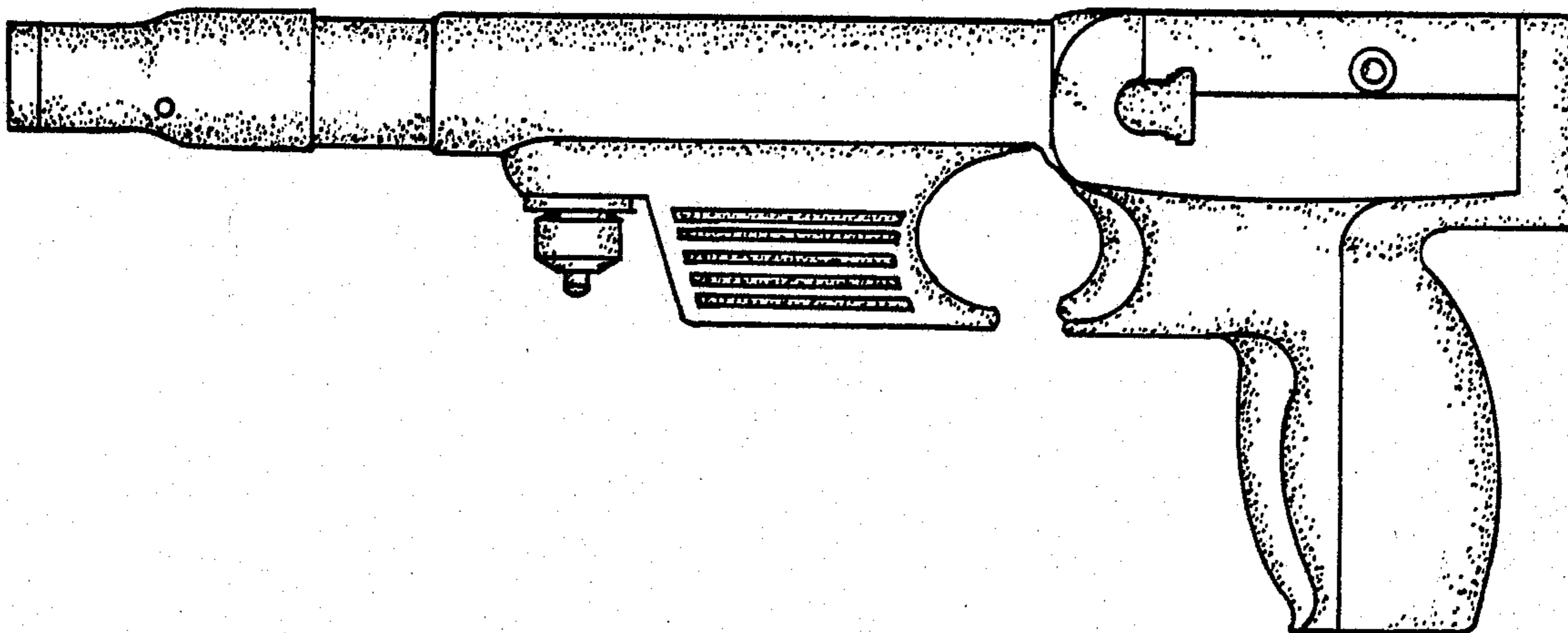
Primary Examiner—Wallace R. Burke
Assistant Examiner—Clare E. Heflin
Attorney, Agent, or Firm—Paul M. Denk

[57] CLAIM

The ornamental design for a fastener driving tool, as shown and described.

DESCRIPTION

FIG. 1 is a perspective view of the fastener driving tool showing our new design;
FIG. 2 is a rear elevational view thereof;
FIG. 3 is a front elevational view thereof;
FIG. 4 is a left side elevational view thereof;
FIG. 5 is a right side elevational view thereof;
FIG. 6 is a top plan view thereof;
FIG. 7 is a bottom plan view thereof.



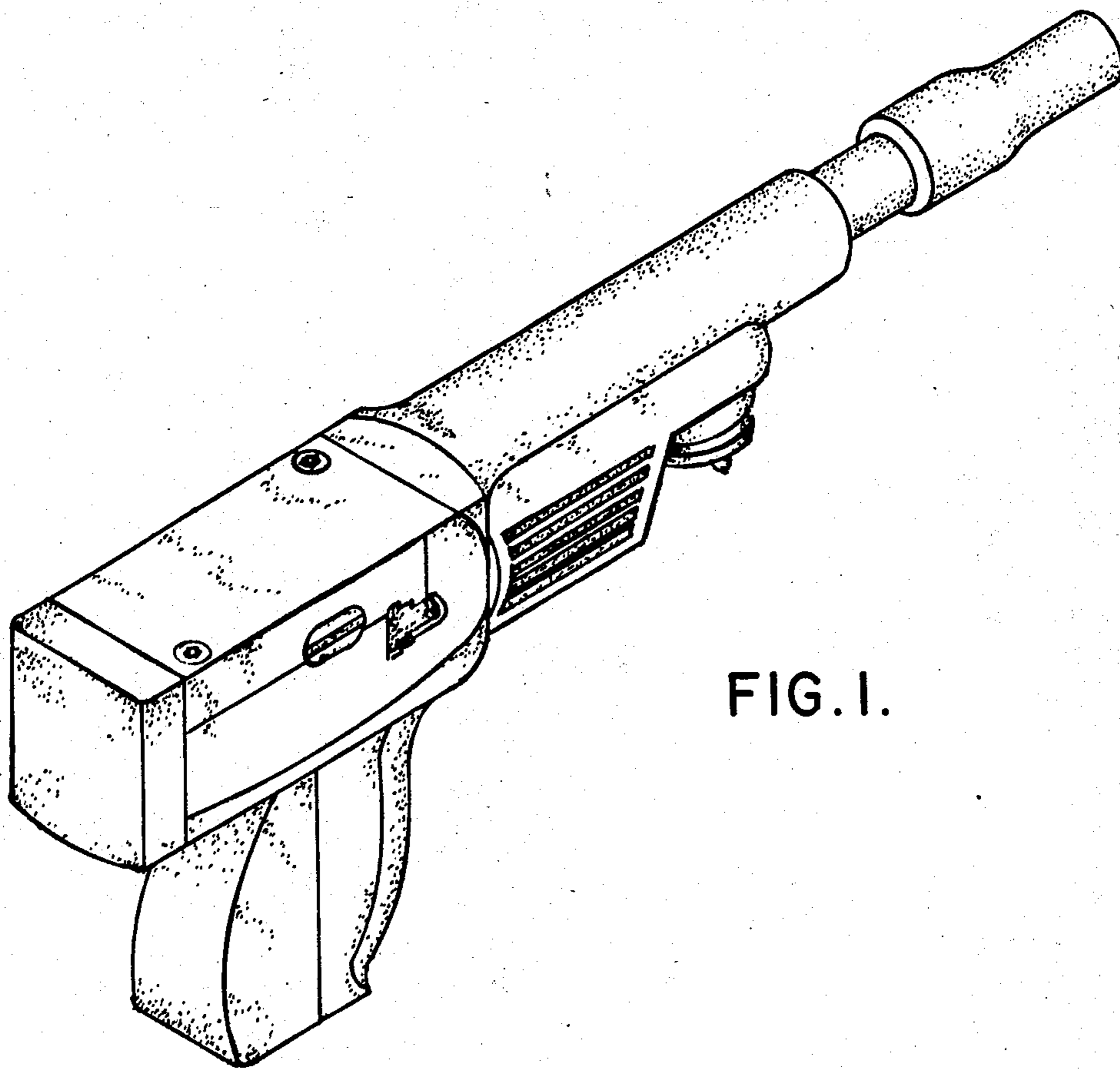


FIG. 1.

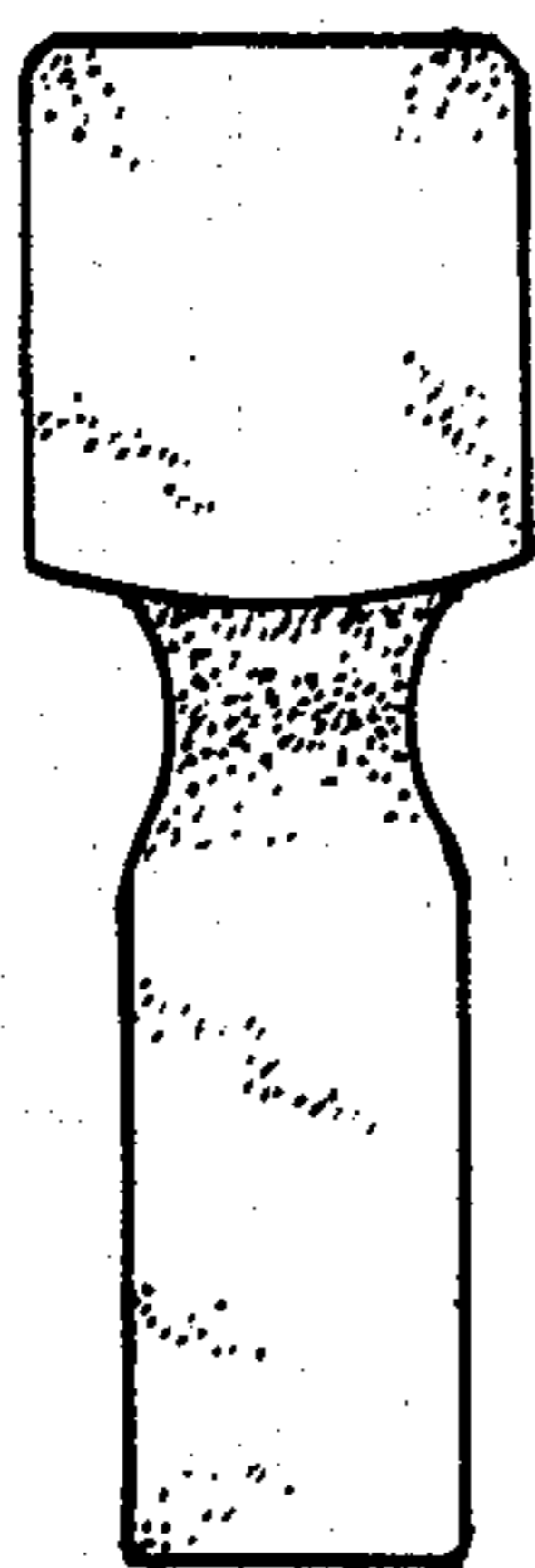


FIG. 2.

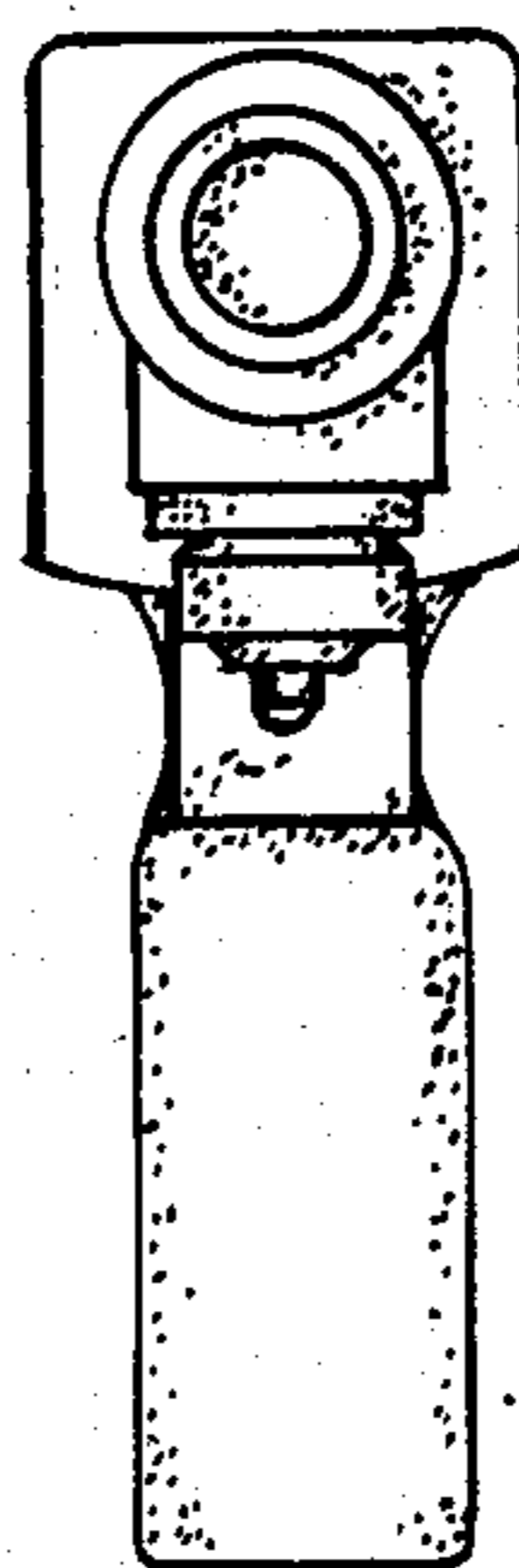


FIG. 3.

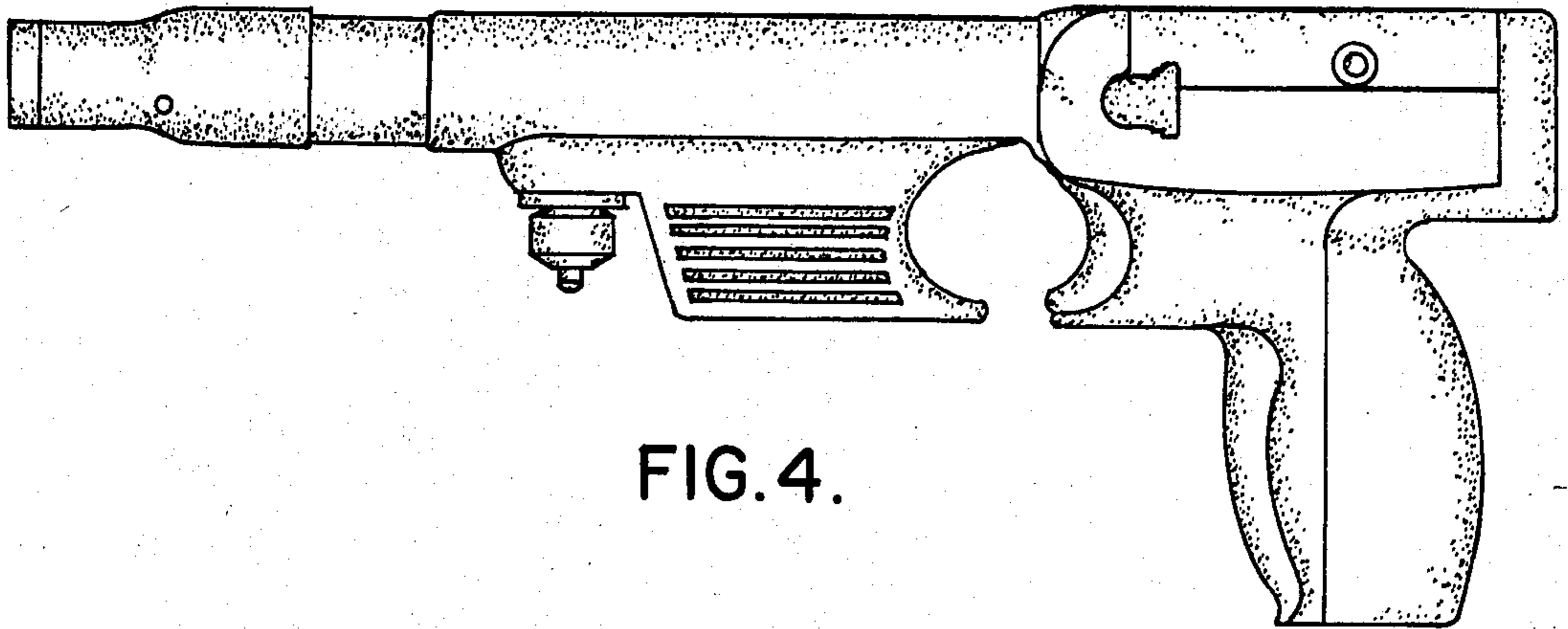


FIG. 4.

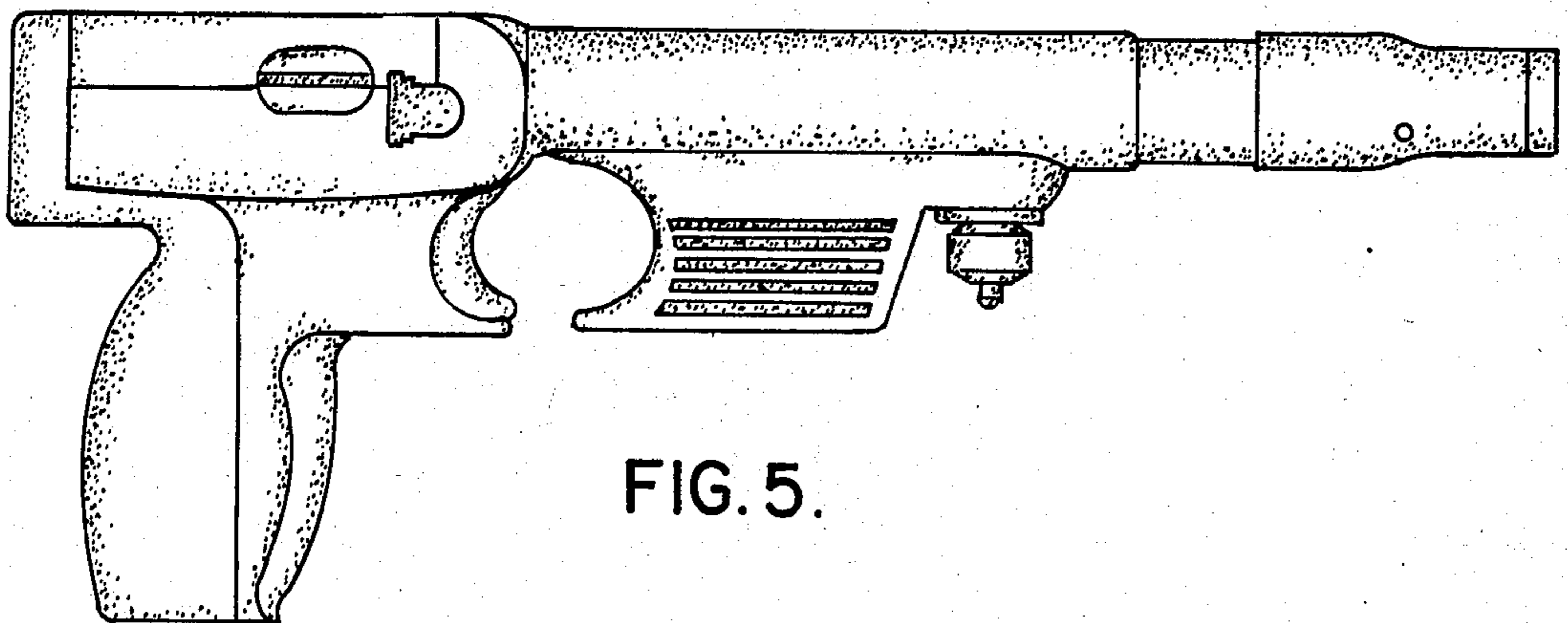


FIG. 5.

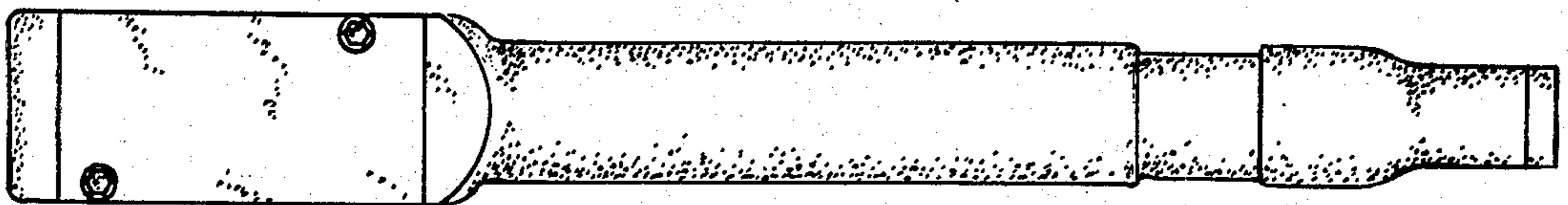


FIG. 6.

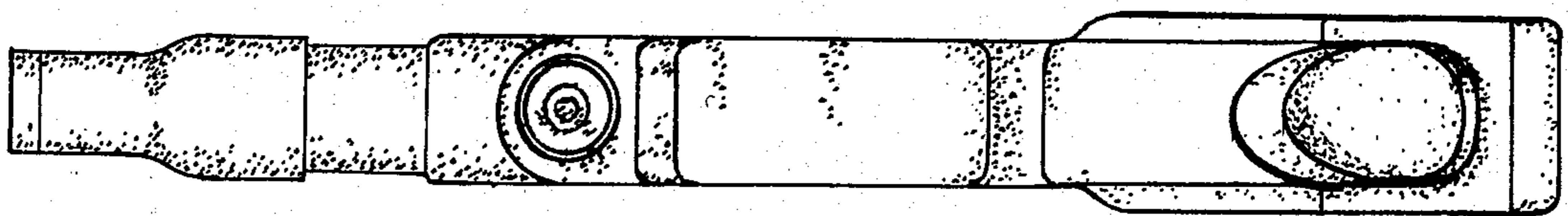


FIG. 7.