

[54] FILING BELT TYPE GRINDER

[75] Inventors: Kenji Fukuda; Osamu Tamanaha; Toshio Mikiya, all of Tokyo, Japan

[73] Assignee: Nitto Kohki Co., Ltd., Tokyo, Japan

[**] Term: 14 Years

[21] Appl. No.: 862,414

[22] Filed: May 9, 1986

Related U.S. Application Data

[63] Continuation of Ser. No. 416,485, Sep. 10, 1982, abandoned.

[30] Foreign Application Priority Data

Mar. 12, 1982 [JP] Japan 57-10069

[52] U.S. Cl. D8/62

[58] Field of Search D8/61-62; 51/170 R, 170 EB, 135 BT, 148

[56] References Cited

U.S. PATENT DOCUMENTS

- D. 215,047 8/1969 Mikiya D8/62
- 3,533,192 10/1970 Wezel 51/170 EB
- 4,368,597 1/1983 Fleckenstein 51/170 EB
- 4,578,906 4/1986 Appleton D8/62 X

FOREIGN PATENT DOCUMENTS

740835 10/1943 Fed. Rep. of Germany ... 51/170 EB

OTHER PUBLICATIONS

Belton 20 "Miniature Pneumatic Belt Sander" brochure.

Grinding & Polishing Machinery Corp. Bulletin 162, Model 136-3.

Primary Examiner—Wallace R. Burke

Assistant Examiner—Brian N. Vinson

Attorney, Agent, or Firm—Birch, Stewart, Kolasch & Birch

CLAIM

[57] The ornamental design for a filing belt type grinder, as shown and described.

DESCRIPTION

FIG. 1 is a top plan view of a filing belt type grinder showing our new design;

FIG. 2 is a front elevational view thereof;

FIG. 3 is a rear elevational view thereof;

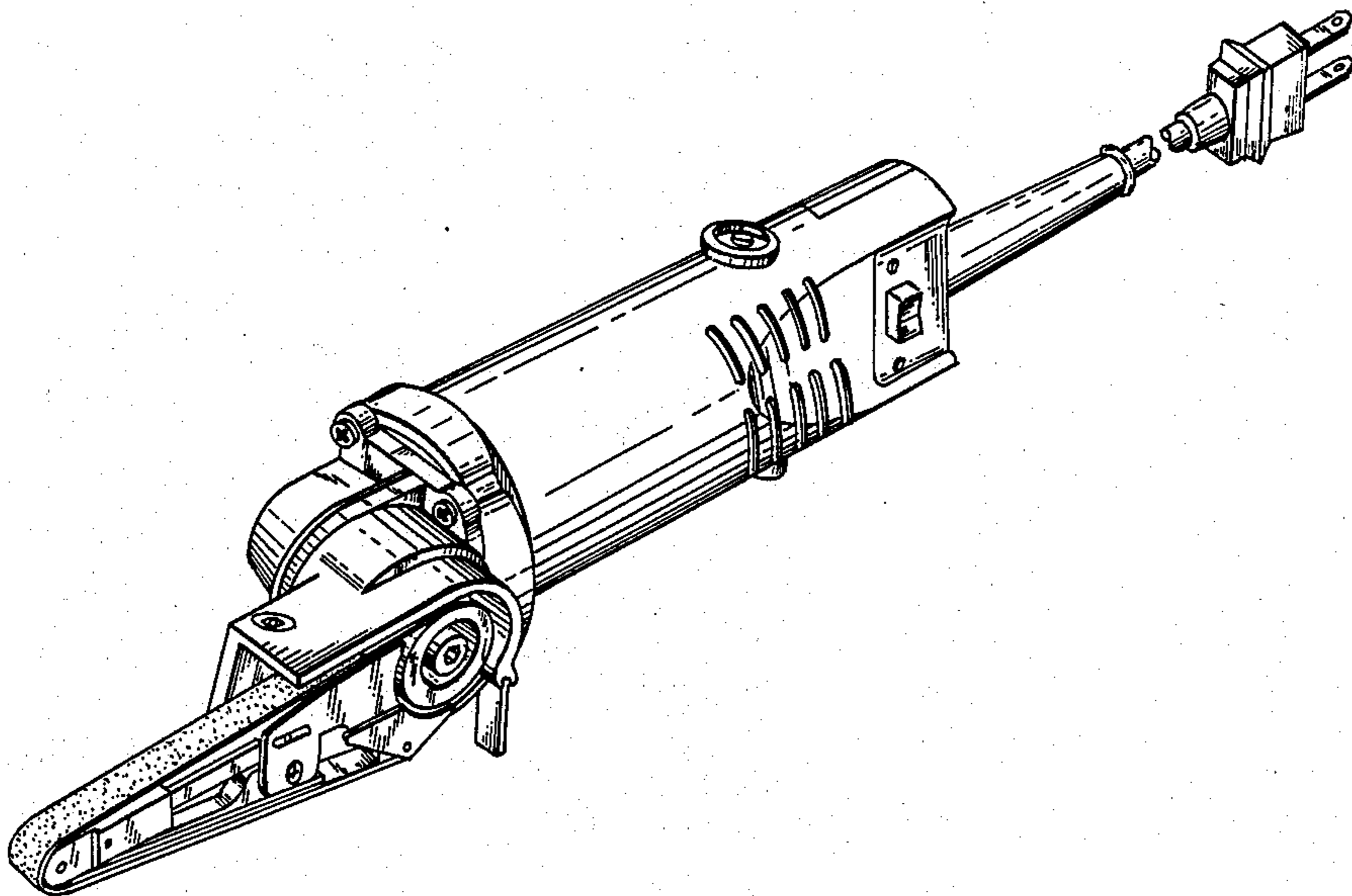
FIG. 4 is a bottom plan view thereof;

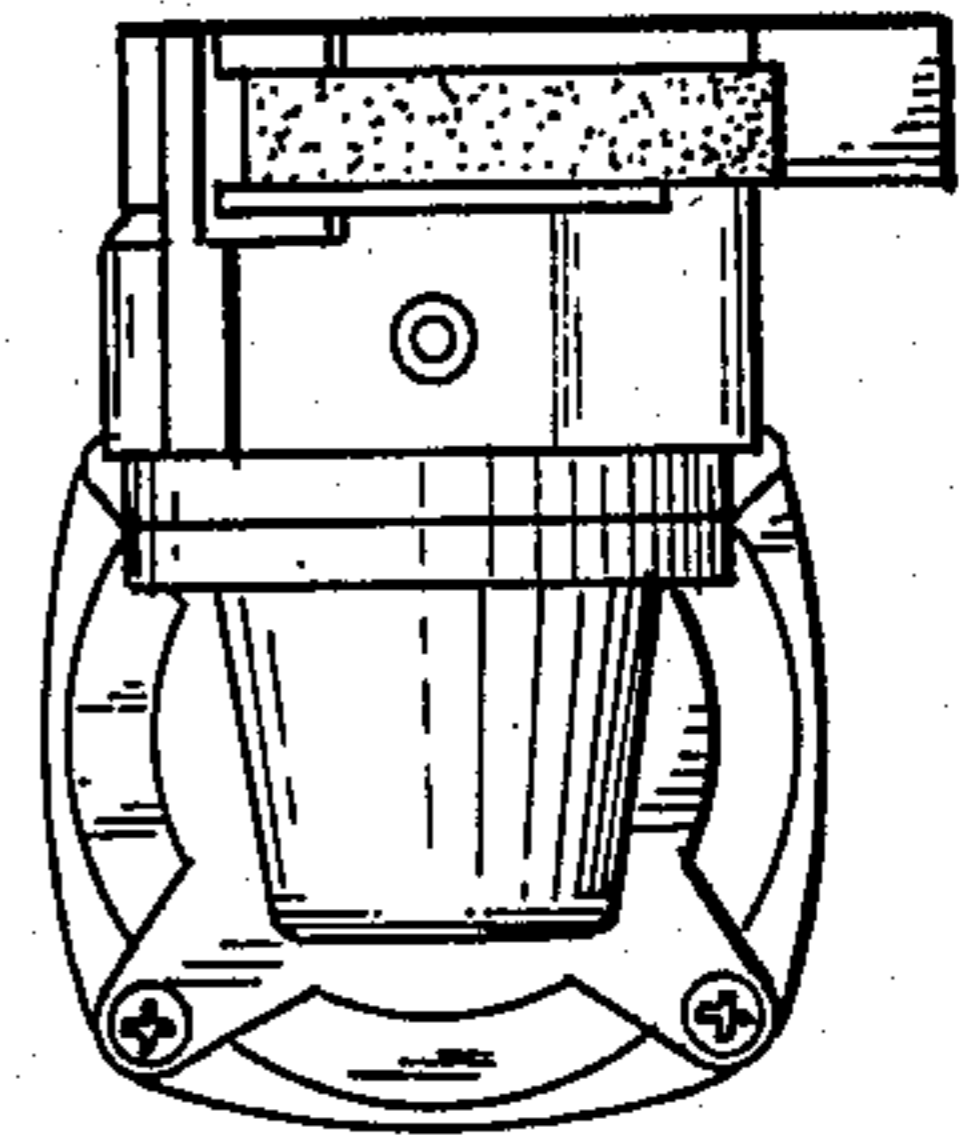
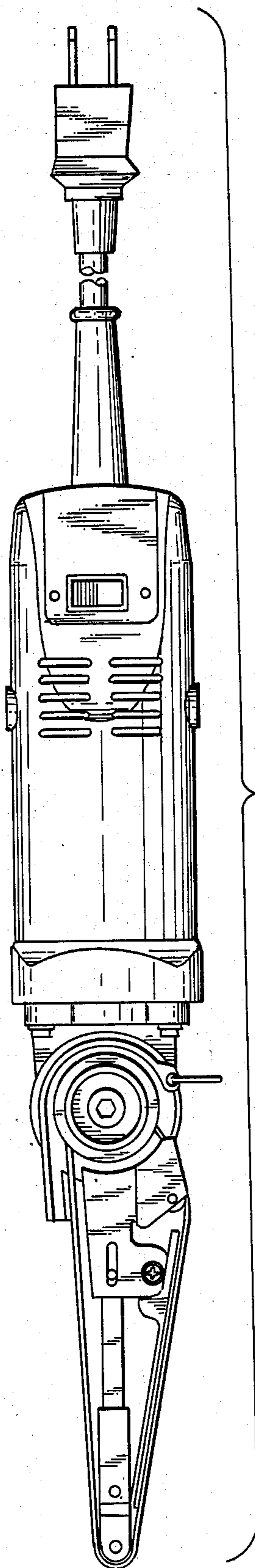
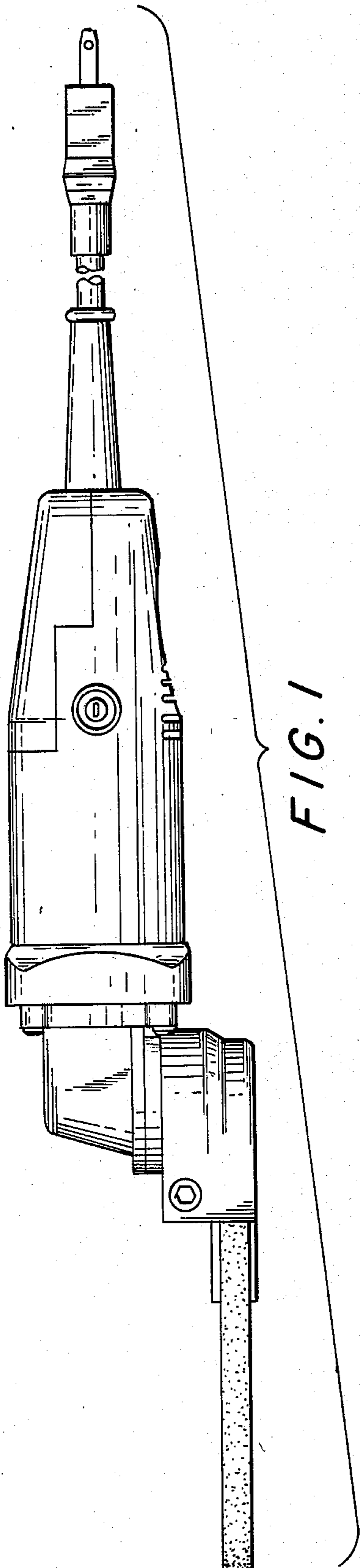
FIG. 5 is a left side elevational view thereof;

FIG. 6 is a right side elevational view thereof;

FIG. 7 is a top, front and left perspective view thereof; and

FIG. 8 is a rear, bottom and right perspective view thereof.





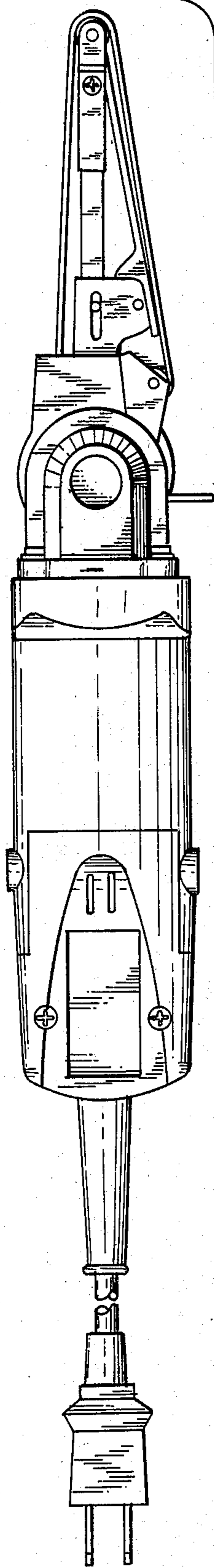


FIG. 3

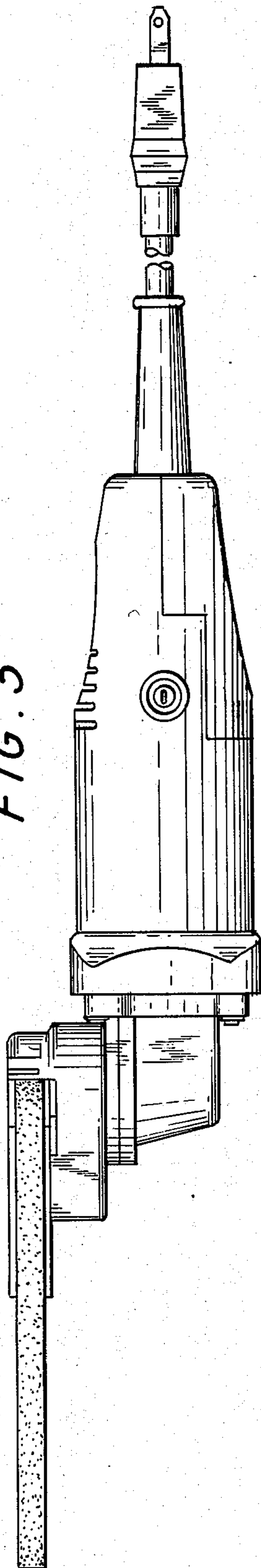


FIG. 4

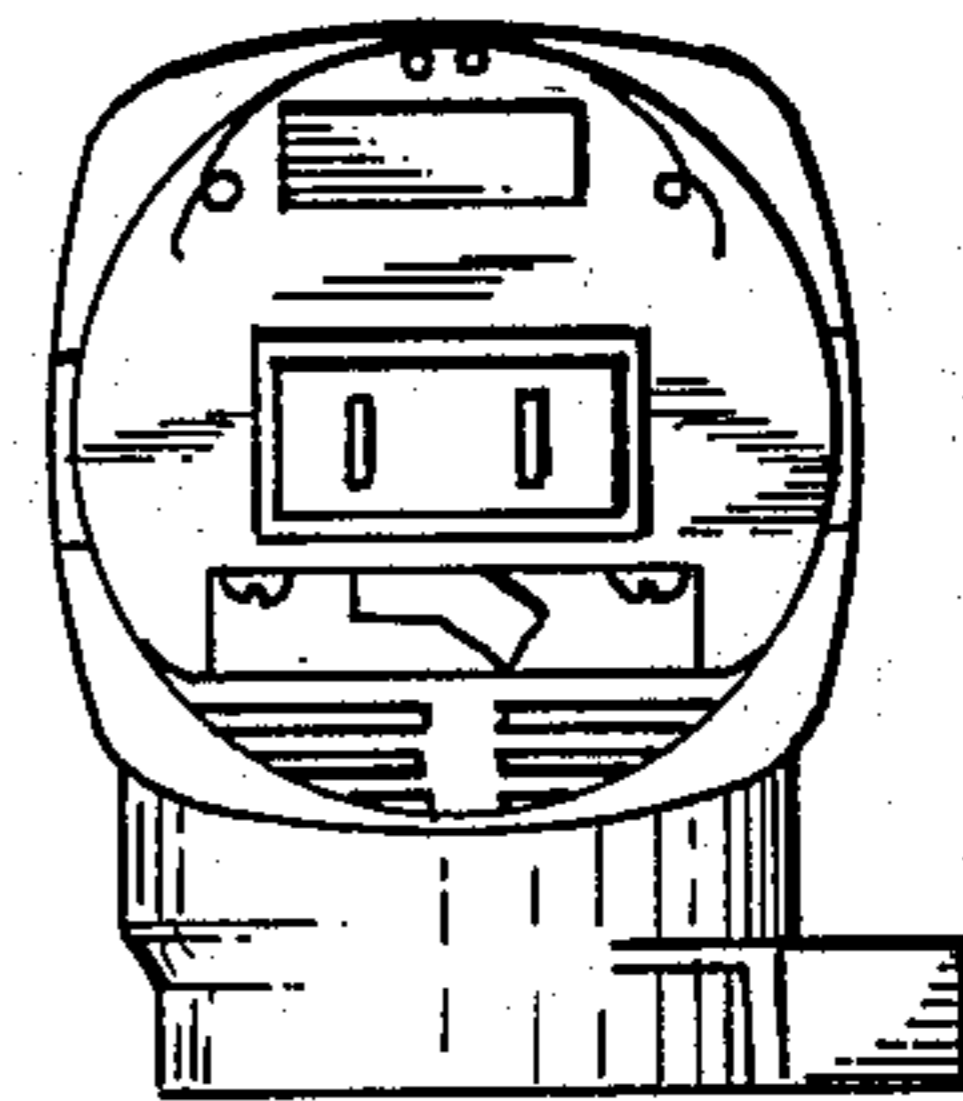


FIG. 6

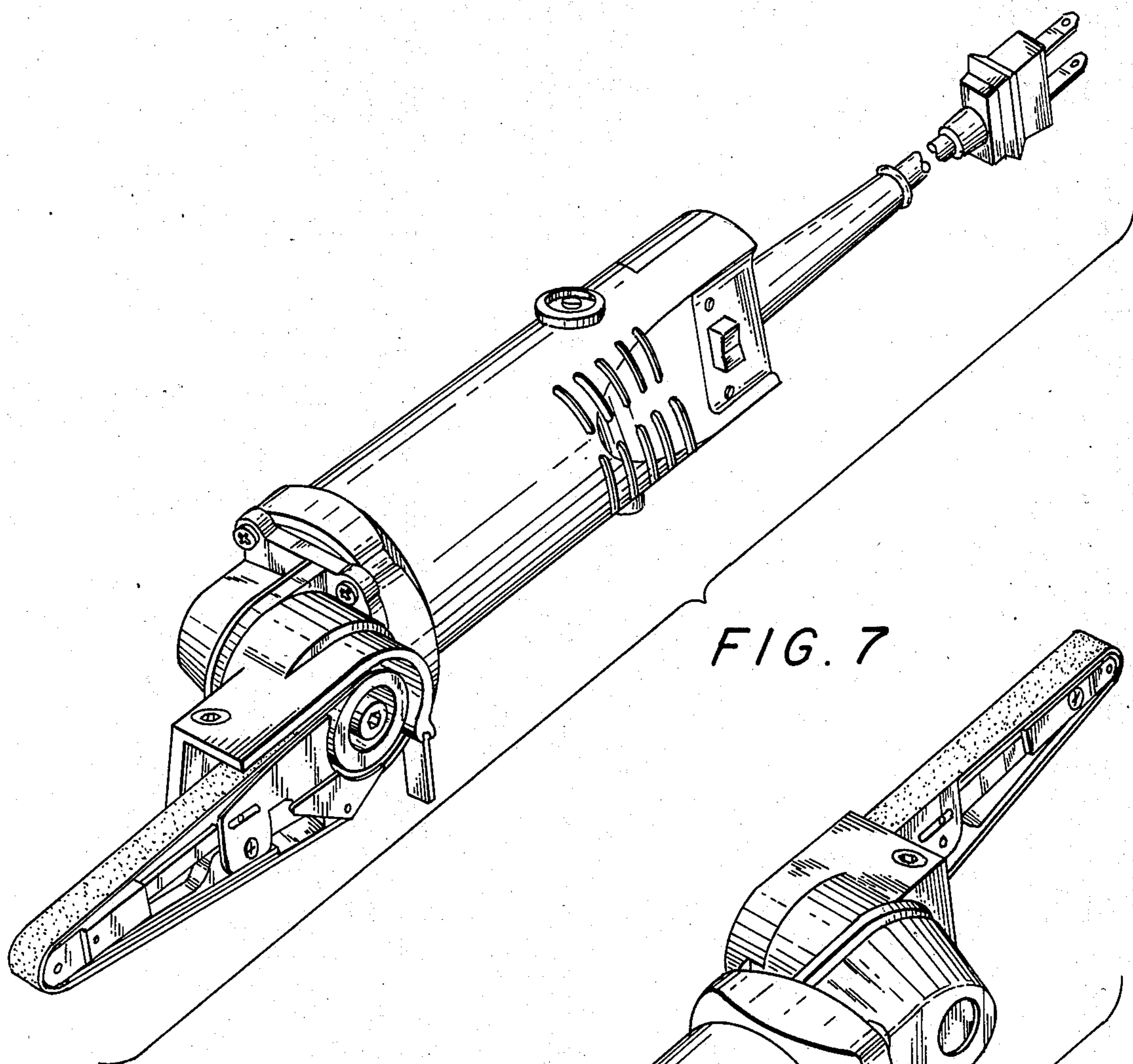


FIG. 7

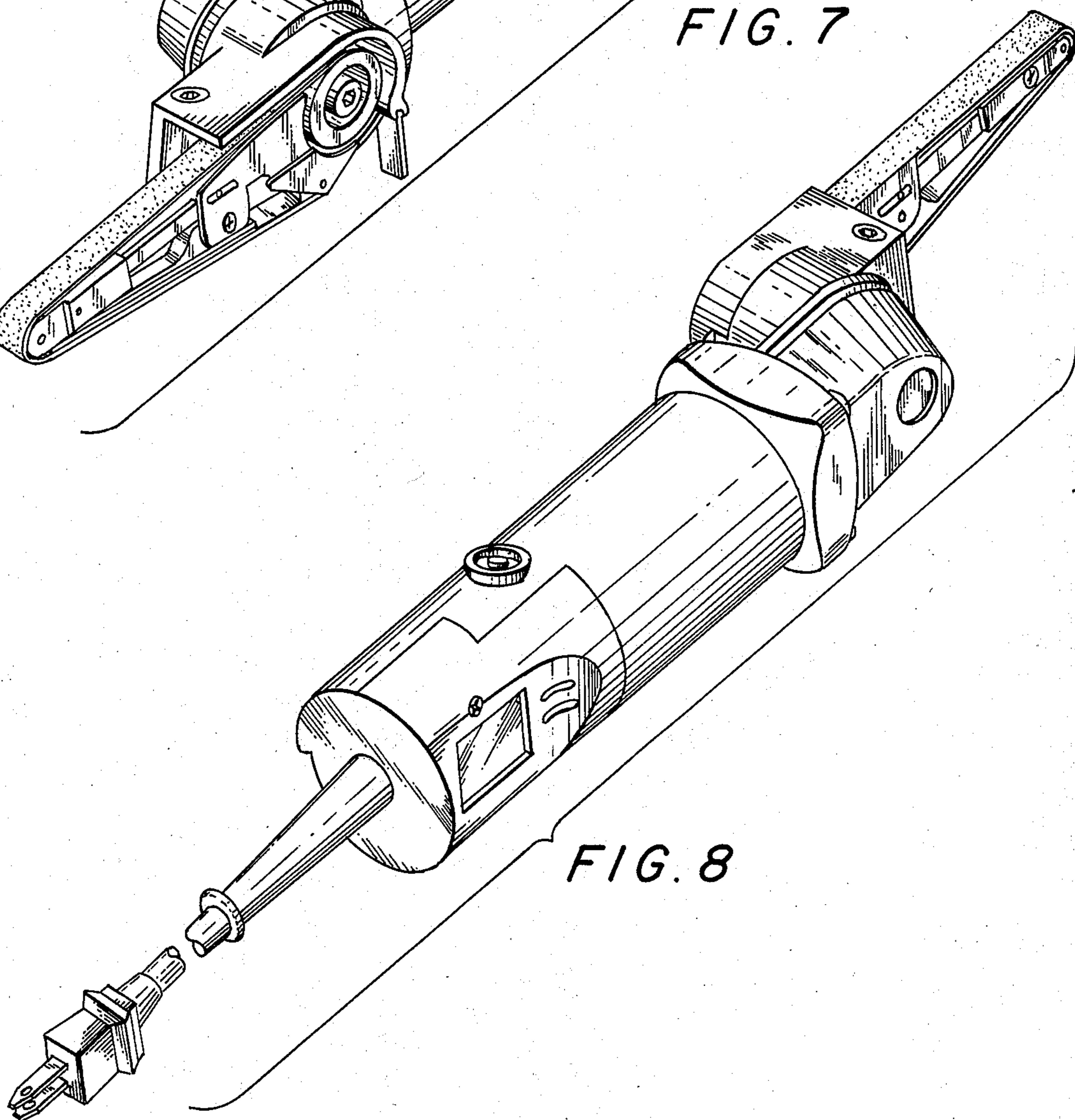


FIG. 8