

[54] **MOLDED TOOL FOR TERMINATING ELECTRICAL CONNECTORS**

[75] **Inventor:** Stuart J. Reeves, St. Helens, England

[73] **Assignee:** BICC plc, London, England

[**] **Term:** 14 Years

[21] **Appl. No.:** 805,996

[22] **Filed:** Nov. 21, 1985

[30] **Foreign Application Priority Data**

May 23, 1985 [GB] United Kingdom 1026935

[52] **U.S. Cl.** D8/14

[58] **Field of Search** D8/14; D13/24, 28; 29/861; 7/107

[56] **References Cited**

U.S. PATENT DOCUMENTS

D. 270,325 8/1983 Johnston D8/14

Primary Examiner—James M. Gandy

Attorney, Agent, or Firm—Parkhurst, Oliff & Berridge

[57] **CLAIM**

The ornamental design for a molded tool for terminating electrical connectors, as shown.

DESCRIPTION

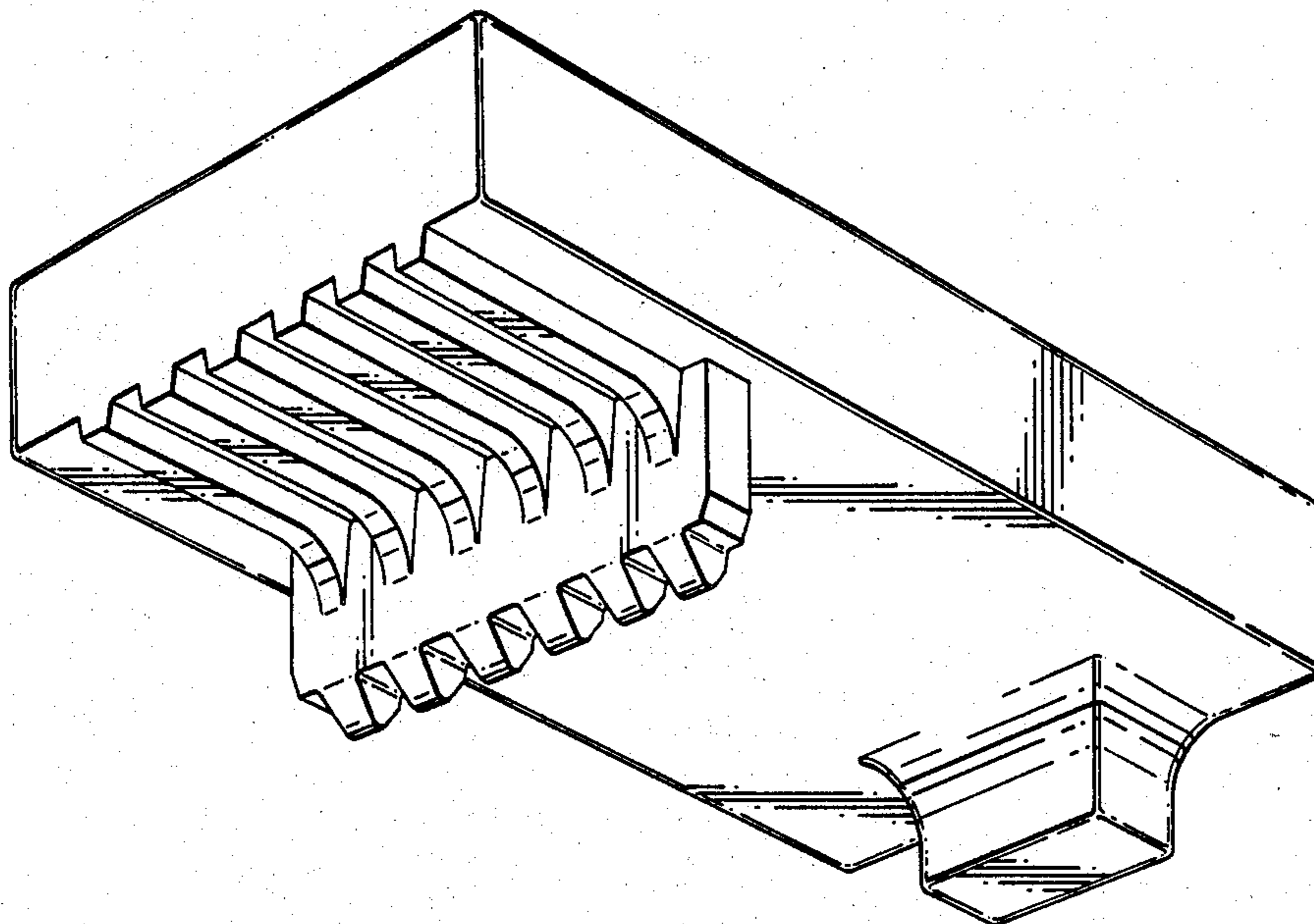
FIG. 1 is a perspective view of the molded tool for terminating electrical connectors;

FIG. 2 is a rear elevation view thereof;

FIG. 3 is a side elevation view thereof;

FIG. 4 is a top plan view thereof; and,

FIG. 5 is a bottom plan view thereof.



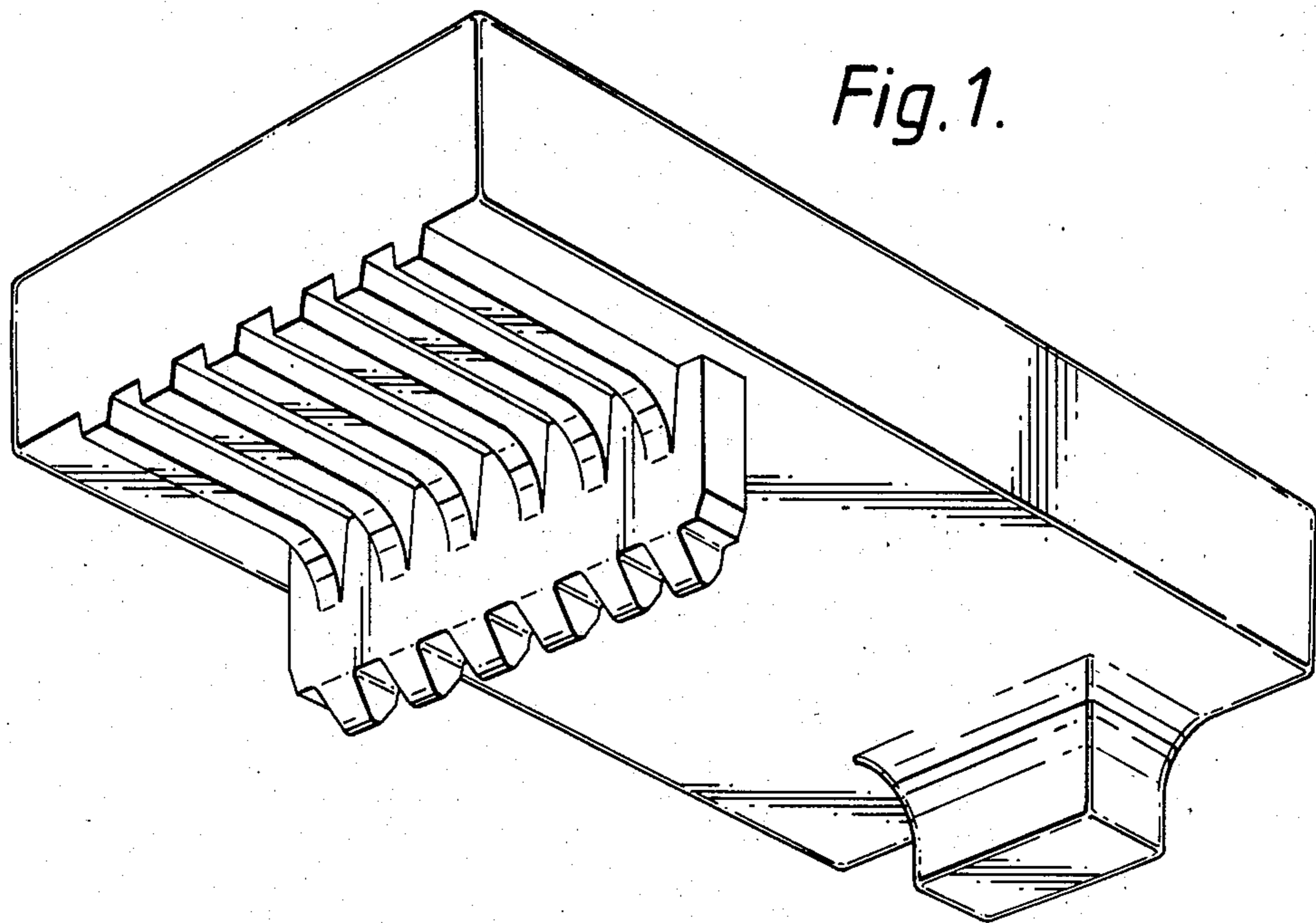


Fig. 2.

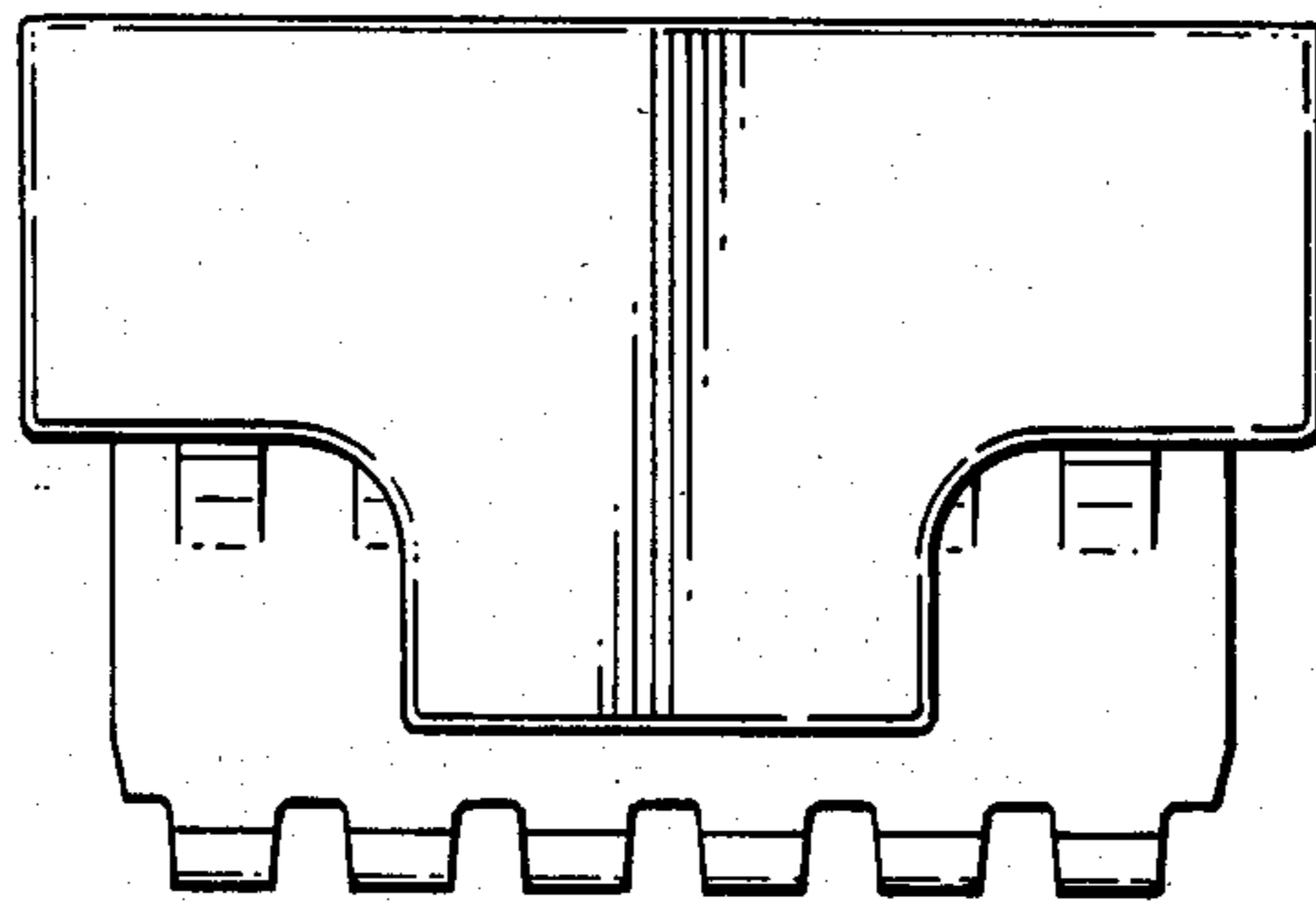


Fig. 3.

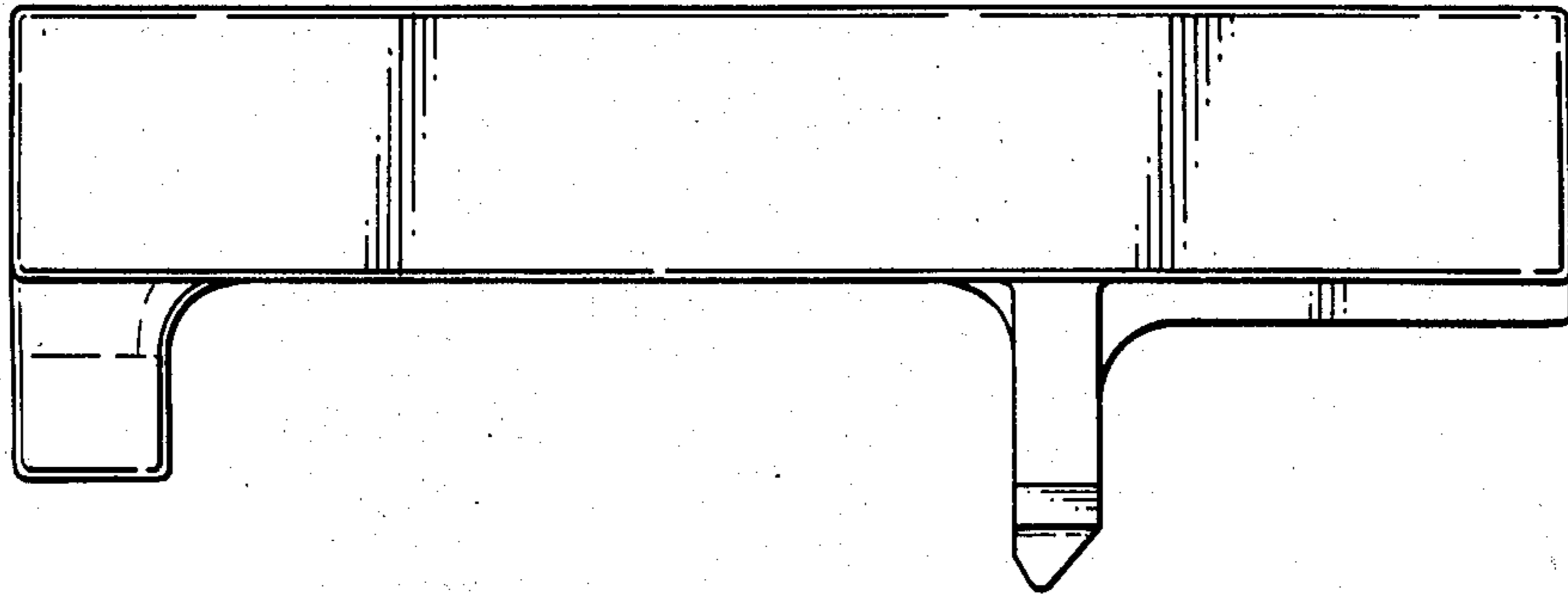
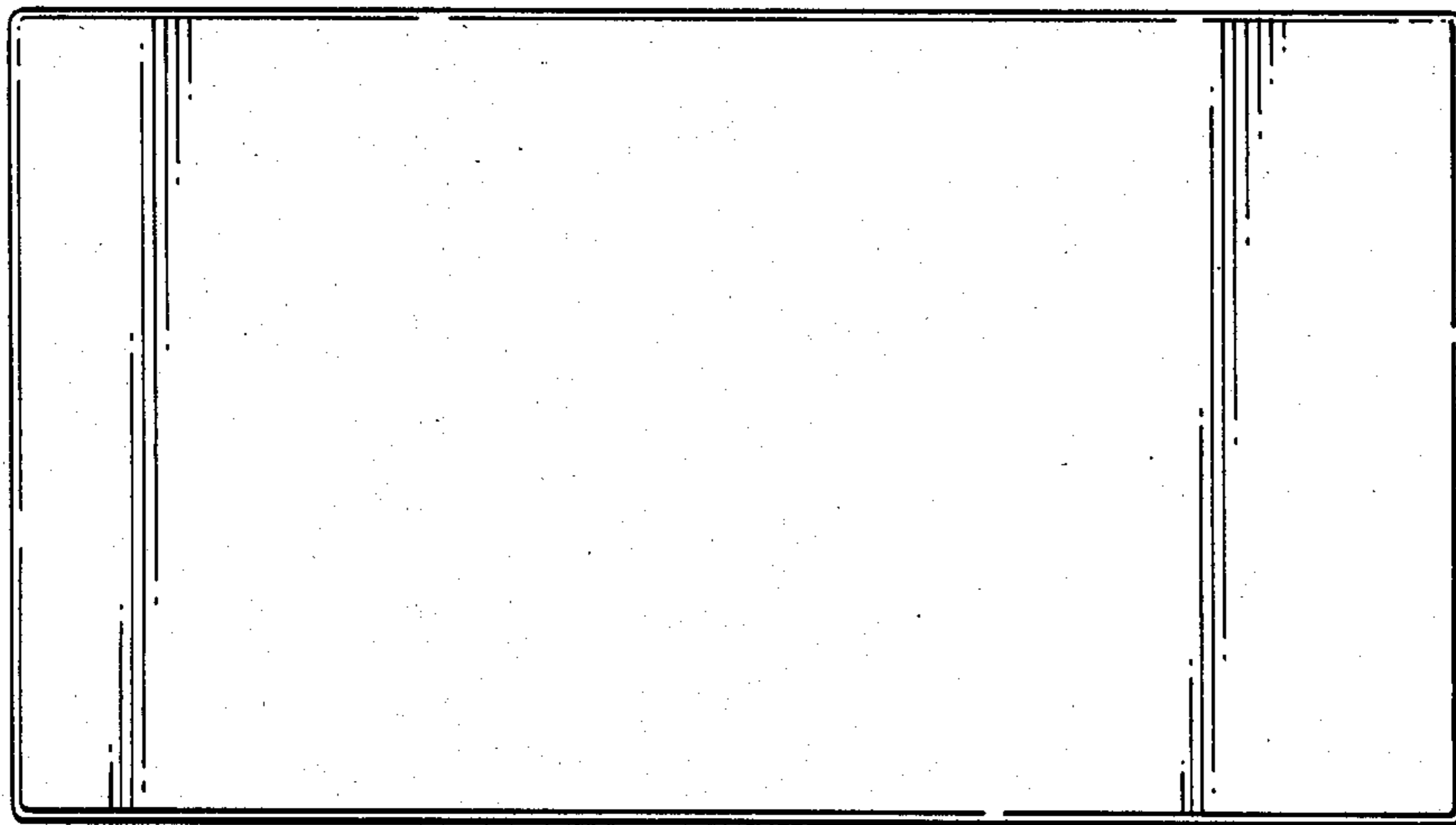


Fig. 4.



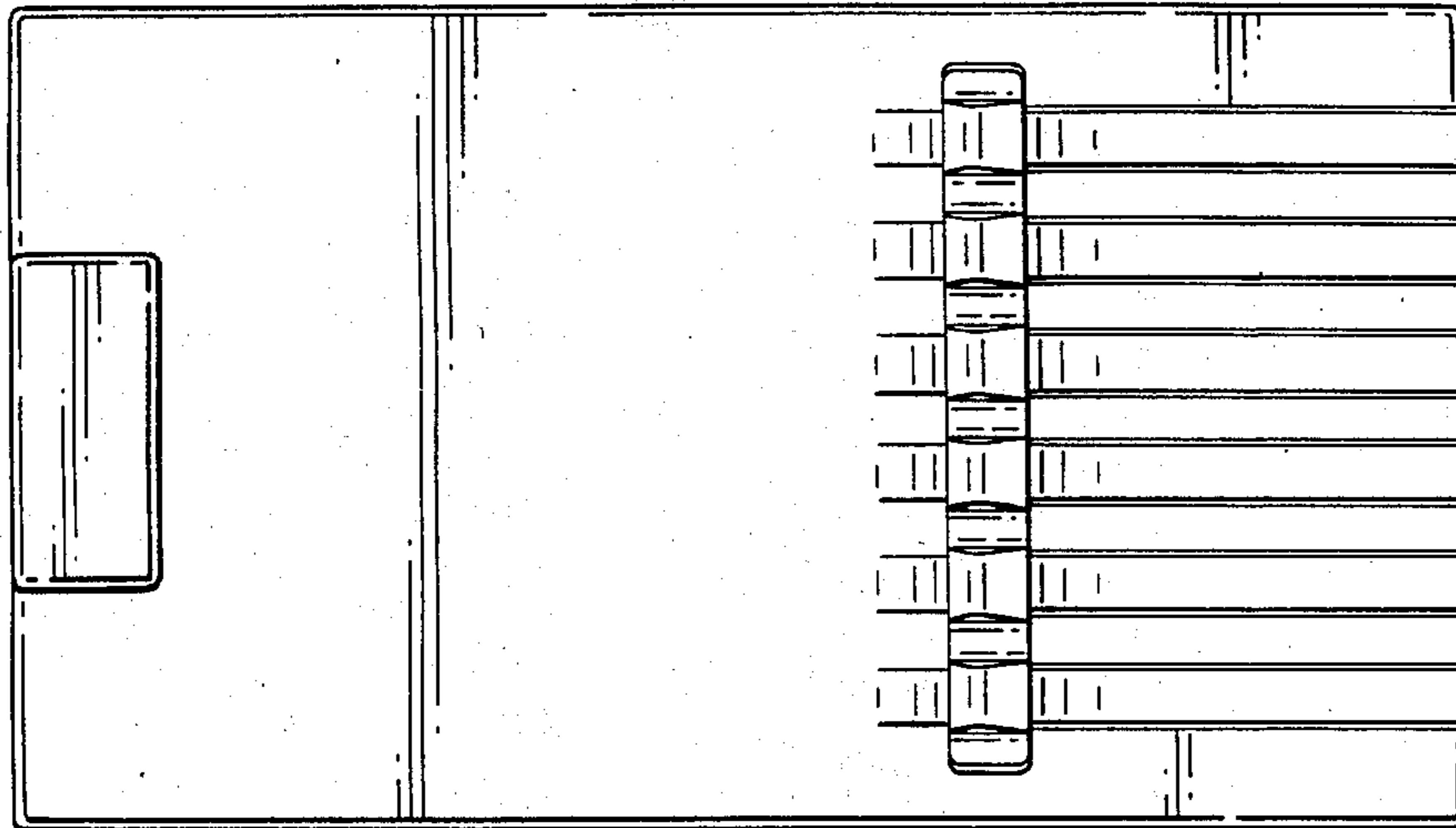


Fig. 5.