

[54] **COFFEE MACHINE**

[75] **Inventor: Josef Frech, Gerstetten, Fed. Rep. of Germany**

[73] **Assignee: Wuerttembergische Metallwarenfabrik Aktiengesellschaft, Fed. Rep. of Germany**

[**] **Term: 14 Years**

[21] **Appl. No.: 808,860**

[22] **Filed: Dec. 13, 1985**

[52] **U.S. Cl. D7/308; D7/311**

[58] **Field of Search D7/308, 309, 311, 310, D7/312, 300, 305, 306, 307, 397, 399**

[56] **References Cited**

U.S. PATENT DOCUMENTS

D. 38,673 7/1907 Millard D7/307
D. 206,519 12/1966 Wolfe D7/308
D. 238,722 2/1976 Black D7/309
D. 246,310 11/1977 Syverson D7/309

D. 261,390 10/1981 Harvill D7/307
2,927,522 3/1960 Rockwood et al. D7/311 X

OTHER PUBLICATIONS

Brochure for "WMF-Einzeltassen-Automat" by Wurttembergische Metallwarenfabrik Aktiengesellschaft.
Brochure for "WMF-Programat 2" by Wurttembergische Metallwarenfabrik Aktiengesellschaft.

Primary Examiner—Winifred E. Herrmann
Attorney, Agent, or Firm—Arnold, White & Durkee

[57] **CLAIM**

The ornamental design for a coffee machine, as shown and described.

DESCRIPTION

FIG. 1 is a top, front, and left side perspective view of a coffee machine showing my new design;
FIG. 2 is a right side elevational view thereof;
FIG. 3 is a top plan view thereof; and,
FIG. 4 is a bottom plan view thereof.
The undisclosed rear of the coffee machine is conventional in appearance.

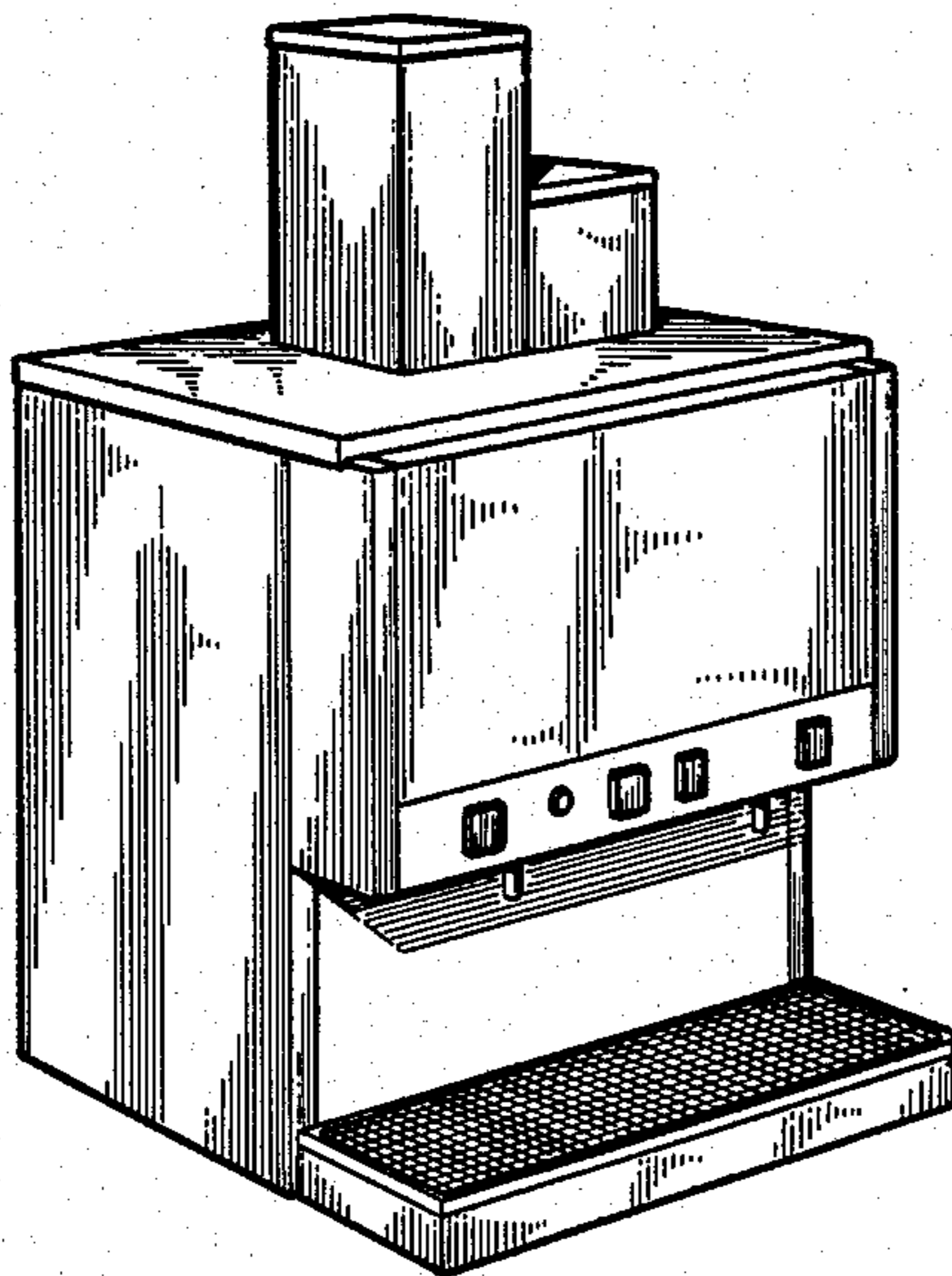


Fig. 1

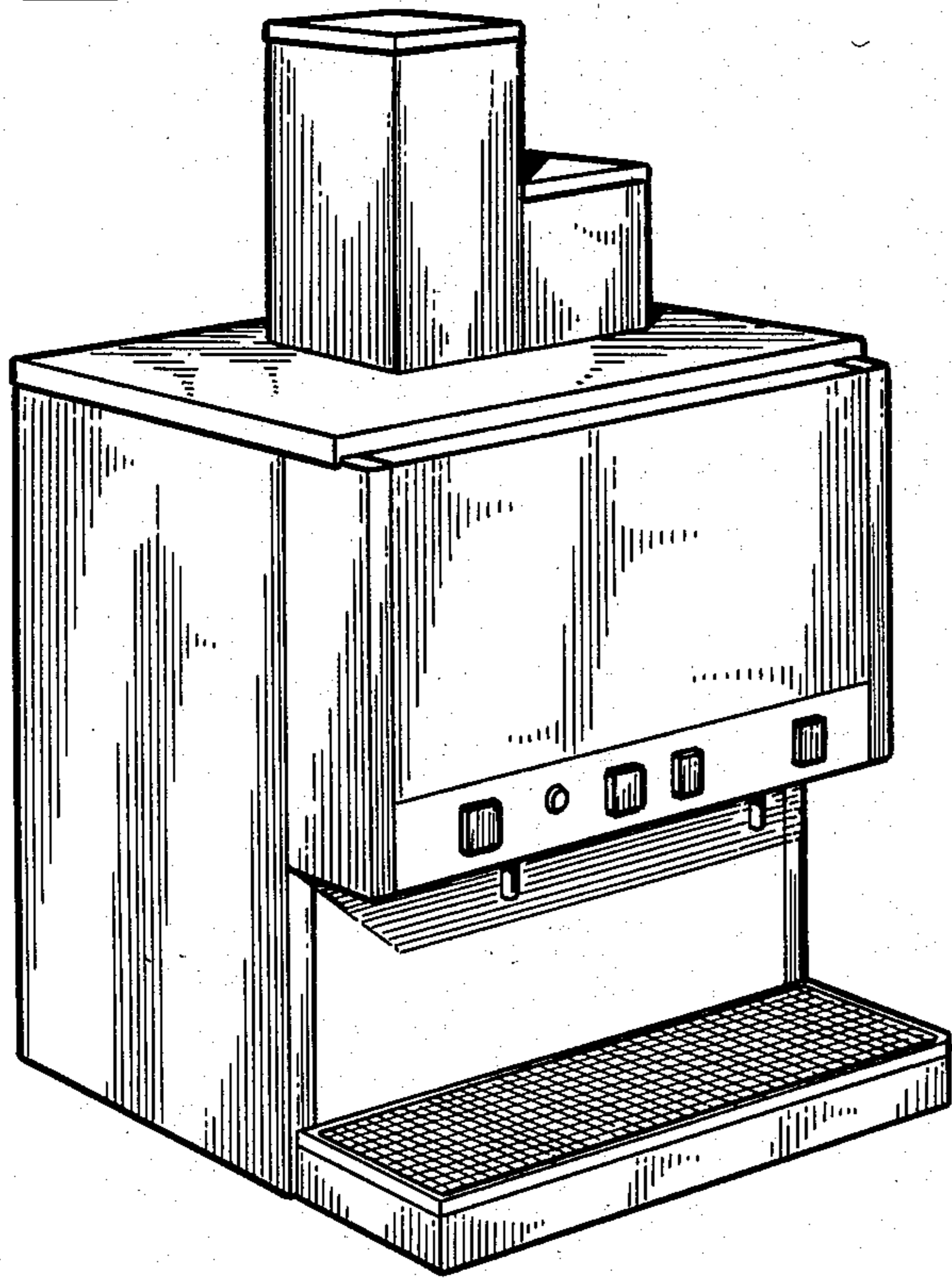


Fig. 2

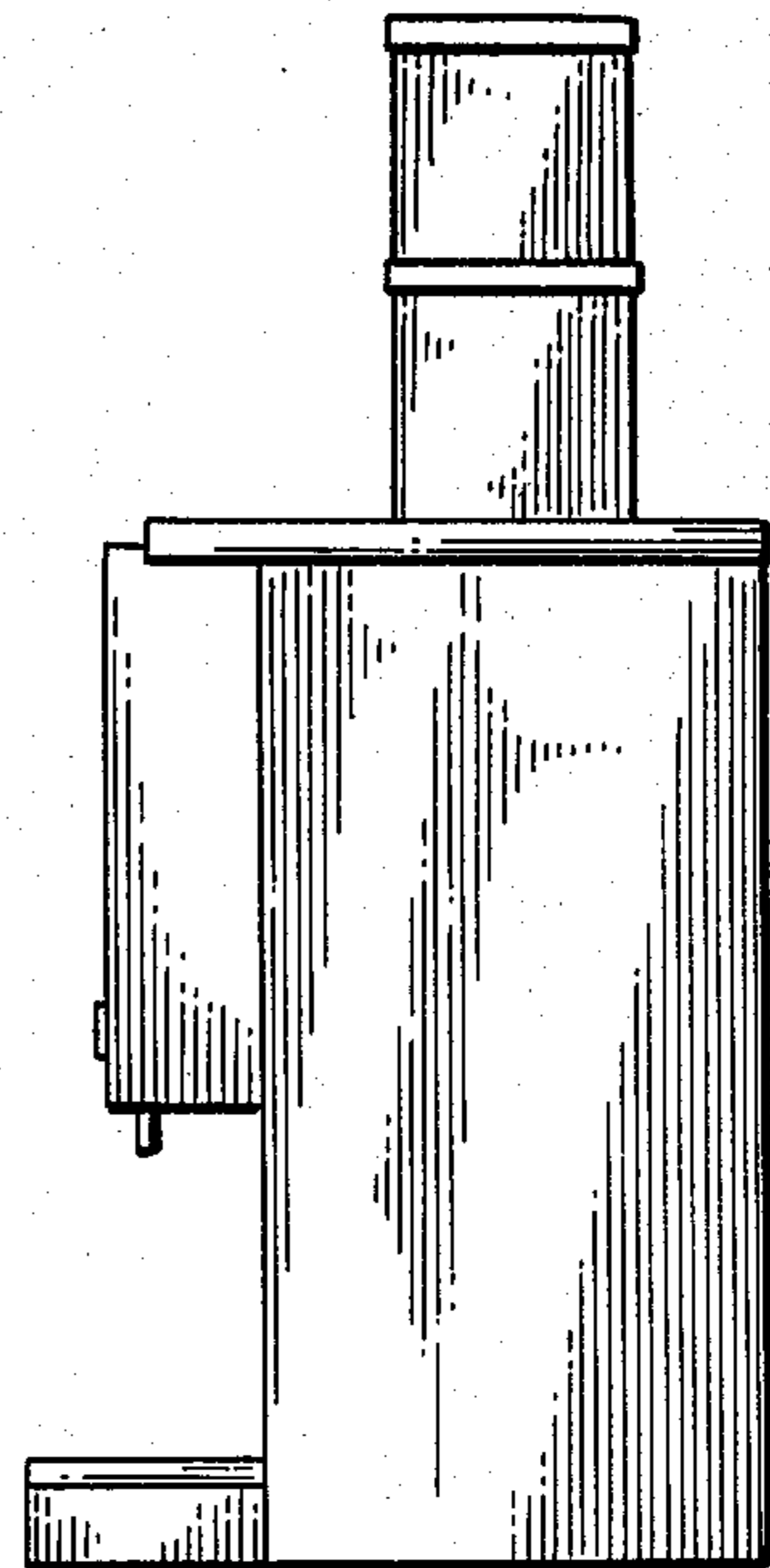


Fig. 3

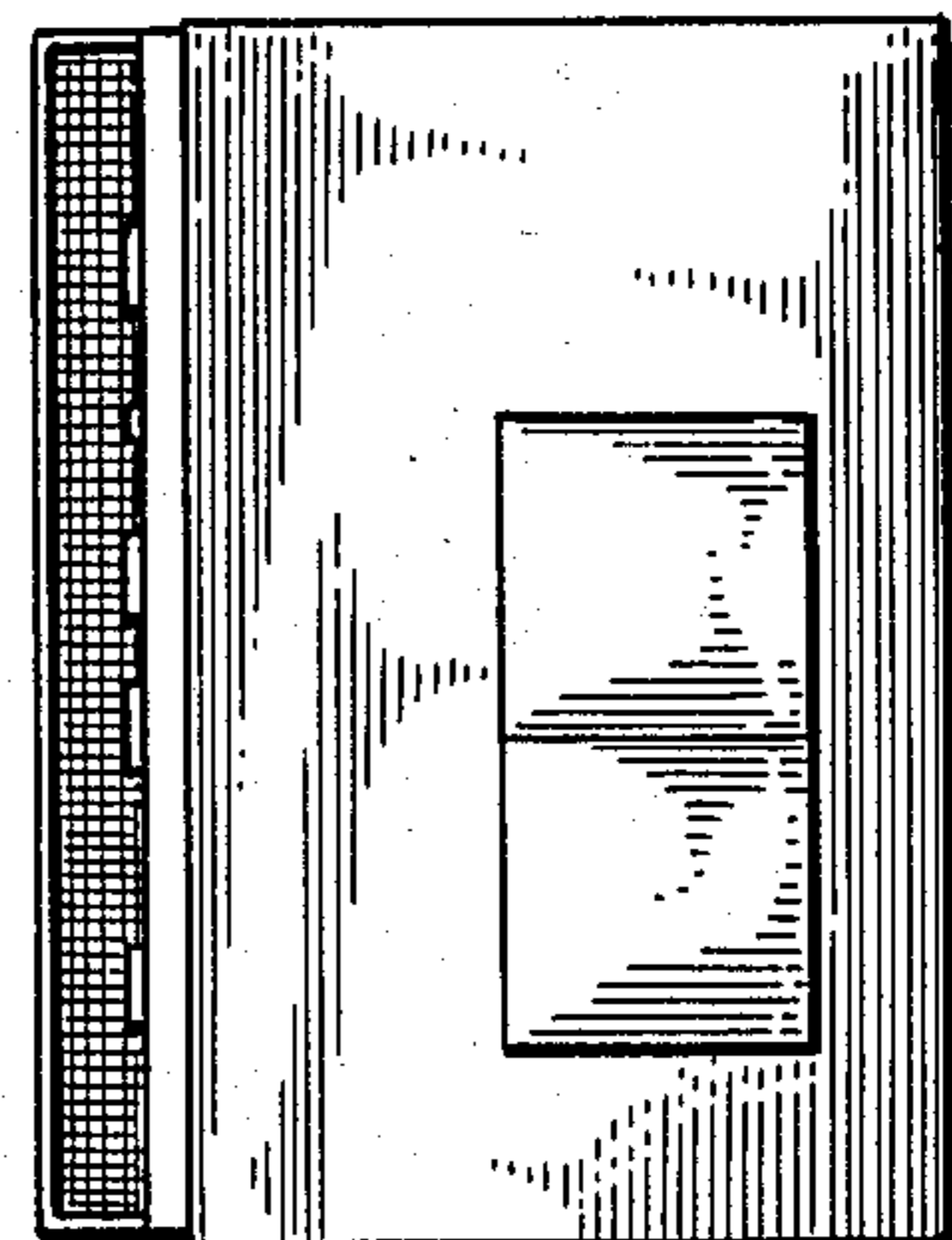


Fig. 4

