

United States Patent [19]
Till

[11] **Patent Number: Des. 298,502**

[45] **Date of Patent: ** Nov. 15, 1988**

[54] **FISH SCALER**

[76] **Inventor: Morris C. Till, Rte. 1, Box 225,
Orangeburg, S.C. 29115**

[**] **Term: 14 Years**

[21] **Appl. No.: 852,105**

[22] **Filed: Apr. 14, 1986**

[52] **U.S. Cl. D7/99**

[58] **Field of Search D7/99, 106; 17/66, 69;
D22/149**

[56] **References Cited**

U.S. PATENT DOCUMENTS

901,805 10/1908 Grosser 17/66

Primary Examiner—Bernard Ansher
Assistant Examiner—Terry Pfeffer
Attorney, Agent, or Firm—Mason, Fenwick & Lawrence

[57] **CLAIM**

The ornamental design for a fish scaler, as shown and described.

DESCRIPTION

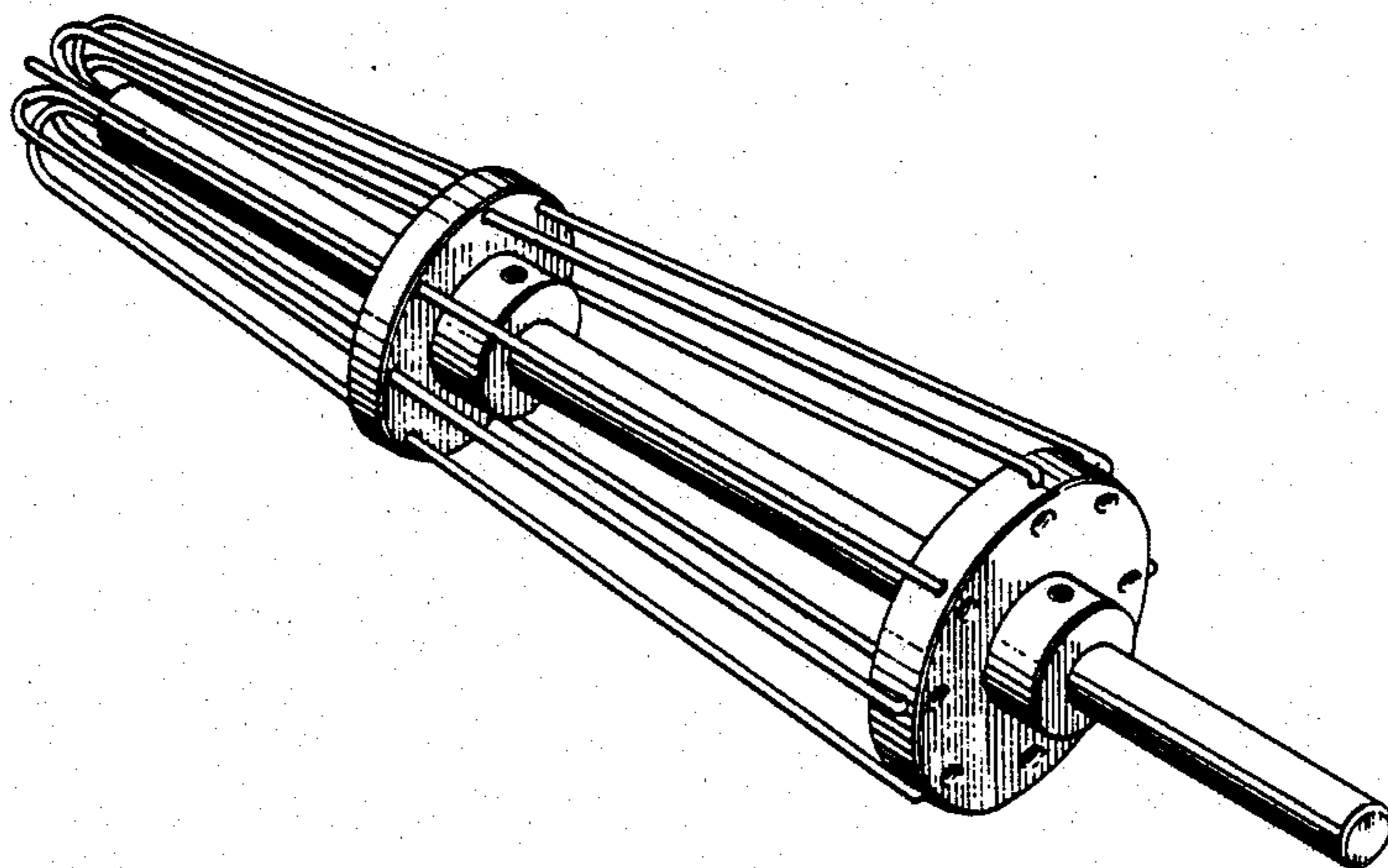
FIG. 1 is a front perspective view of a fish scaler showing my new design;

FIG. 2 is a rear perspective view thereof;

FIG. 3 is a side elevation view thereof;

FIG. 4 is a front elevation thereof; and

FIG. 5 is a rear end elevation view thereof.



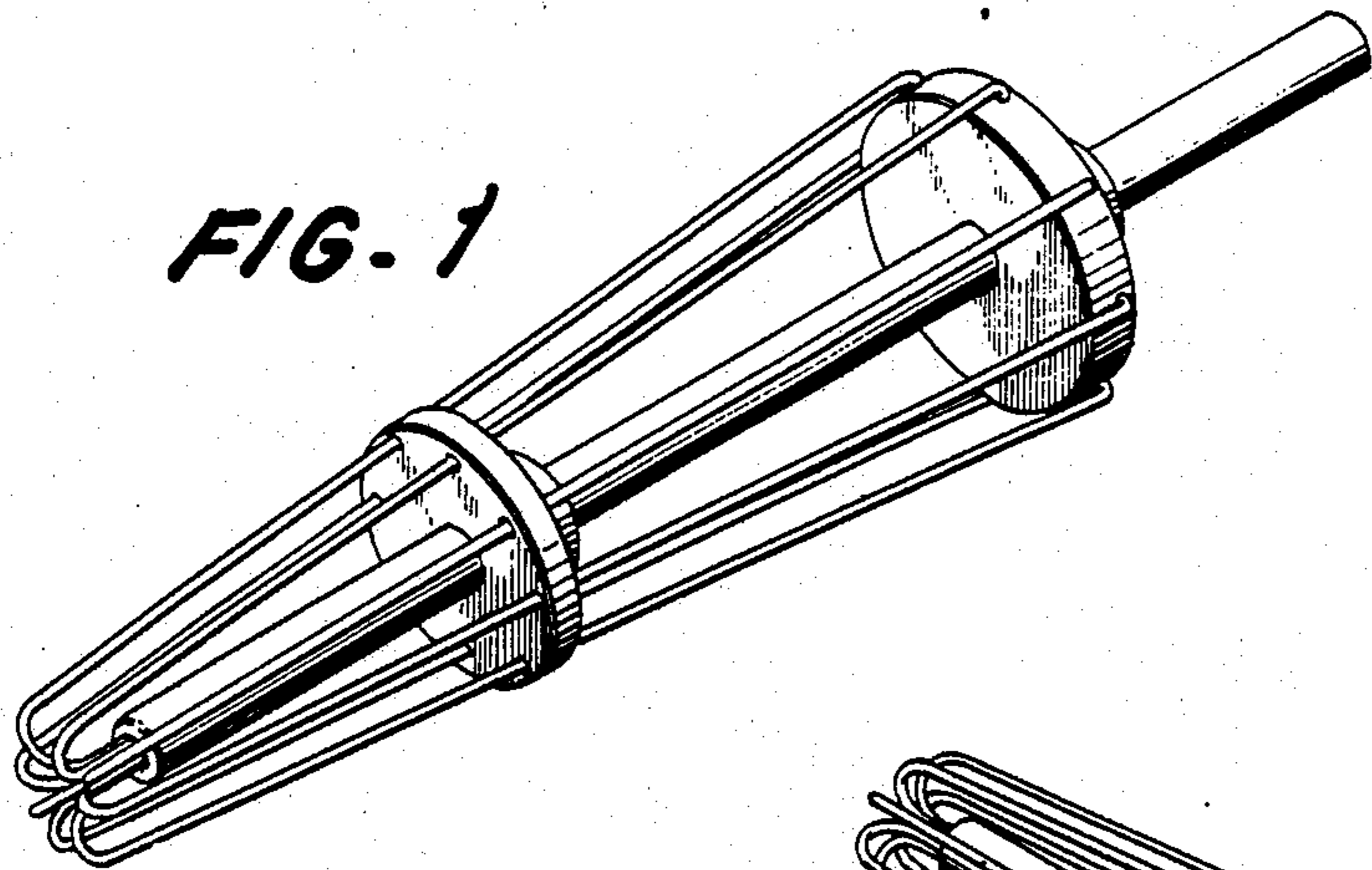


FIG. 1

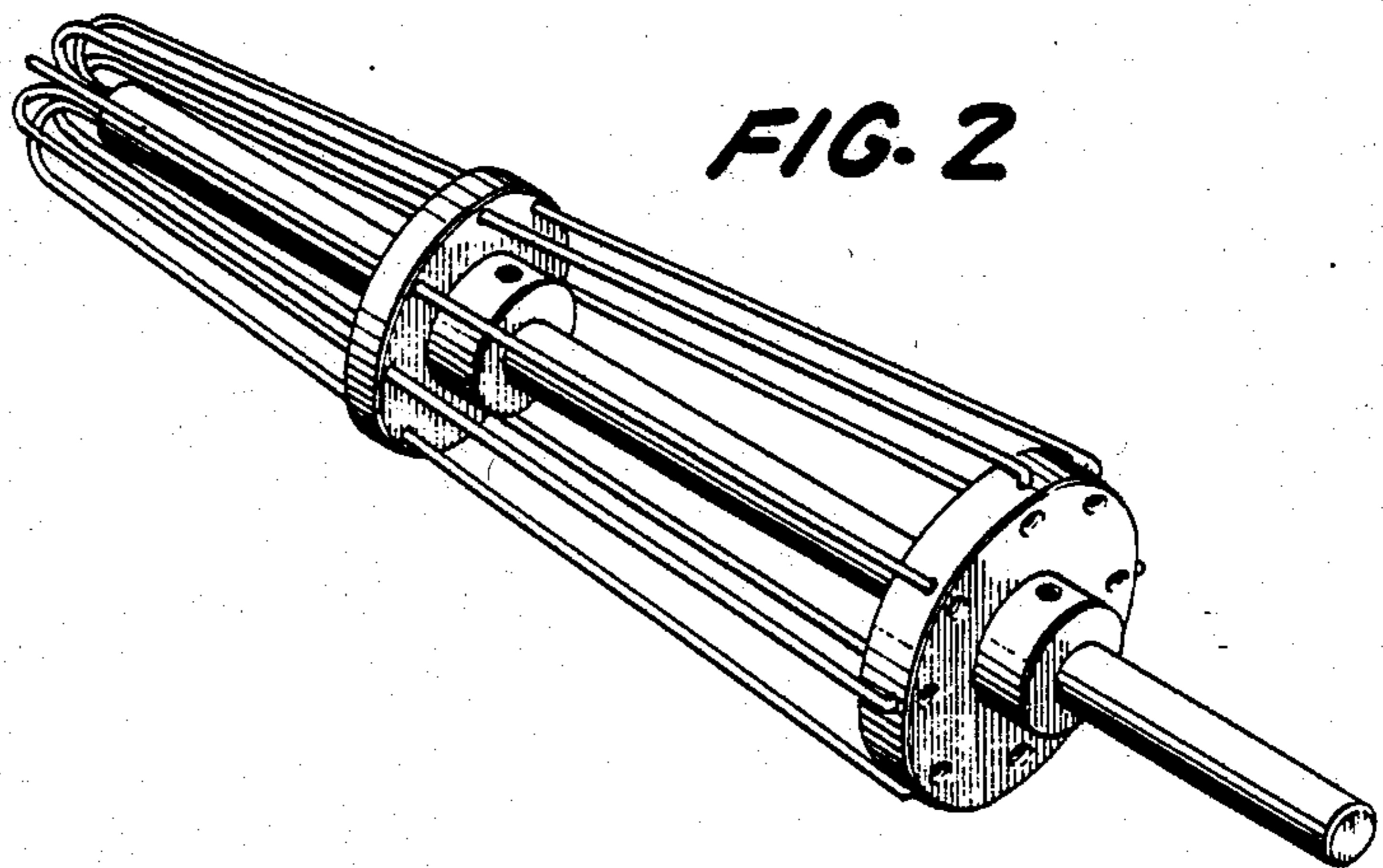


FIG. 2

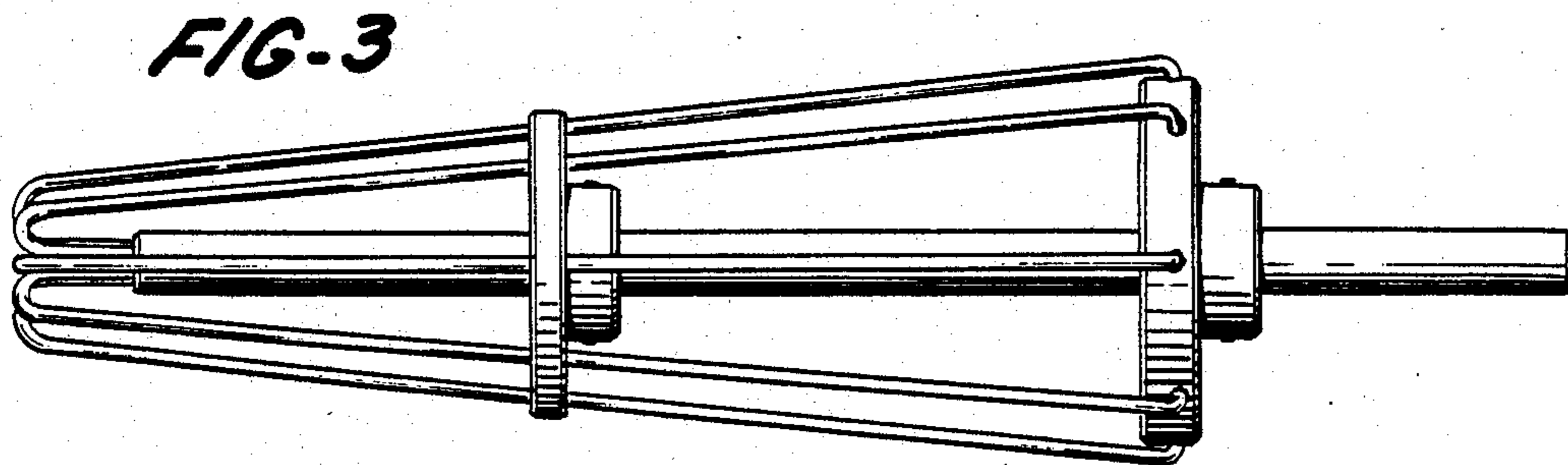


FIG. 3

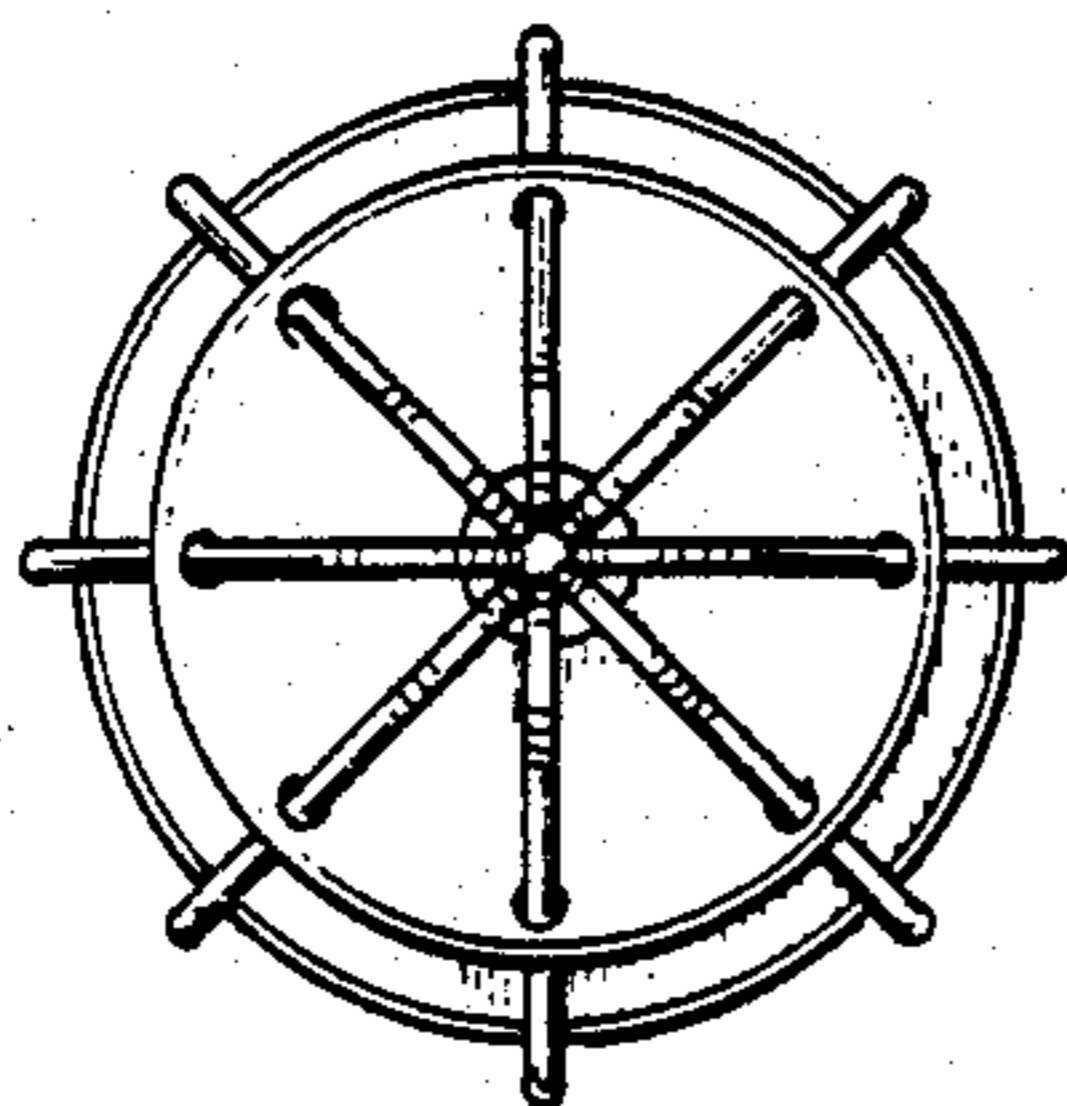


FIG. 4

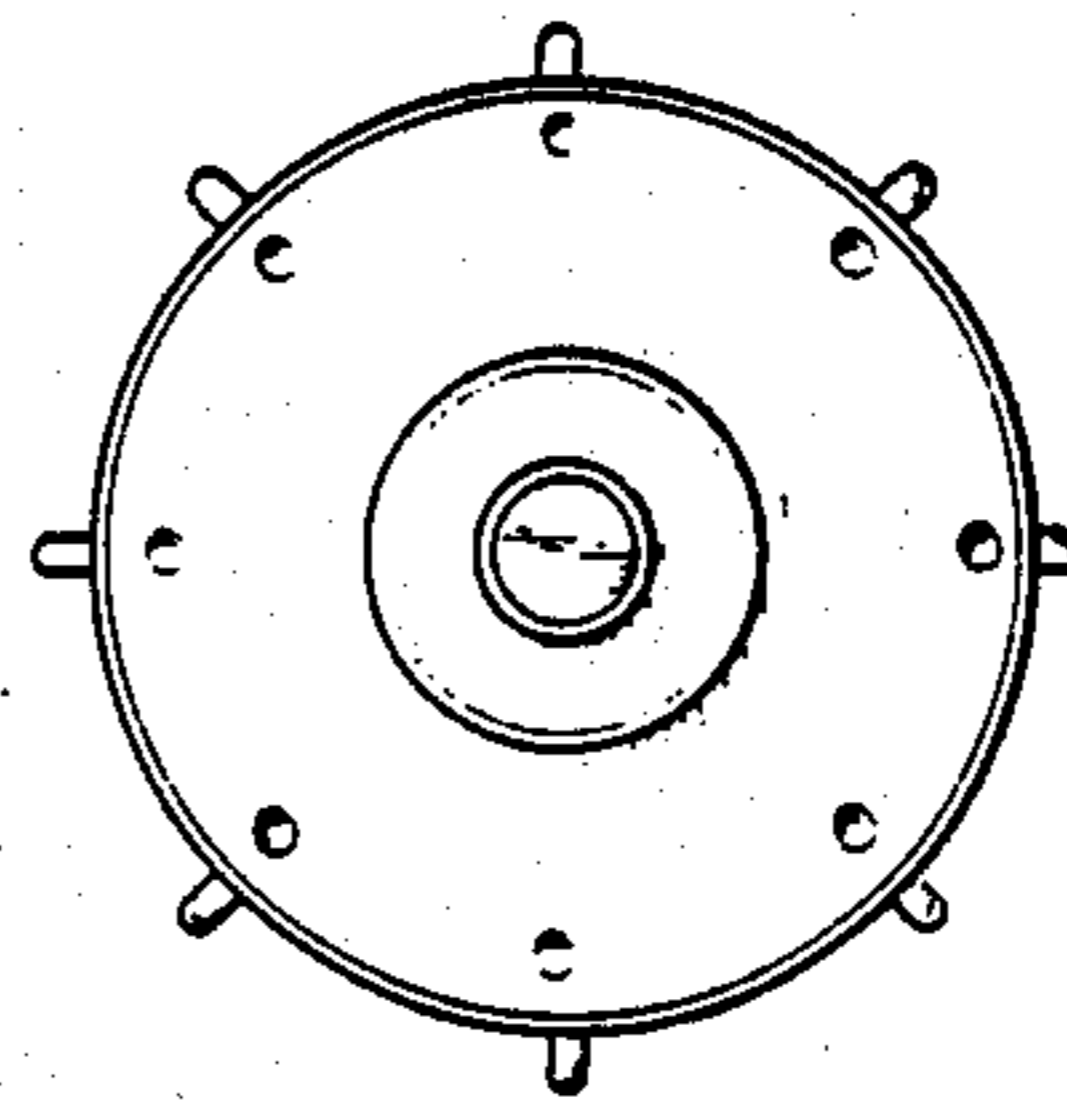


FIG. 5