

[54] SHELF EXTENDER ATTACHMENT FOR
DISPLAYING MERCHANDISE

[75] Inventor: David March, New York, N.Y.

[73] Assignee: Thomson Leeds Company, Inc., New
York, N.Y.

[**] Term: 14 Years

[21] Appl. No.: 774,149

[22] Filed: Sep. 9, 1985

[52] U.S. Cl. D6/574

[58] Field of Search D6/491, 509, 510, 511,
D6/574; 211/13; 108/152

[56] References Cited

U.S. PATENT DOCUMENTS

D. 228,598 10/1973 Mattheis D6/574
D. 243,049 1/1977 Roberts D6/574

D. 265,615 8/1982 Virte et al. D6/574
D. 279,636 7/1985 Barnett D6/511 X
3,007,580 11/1961 Dickson, Jr. D6/510 X

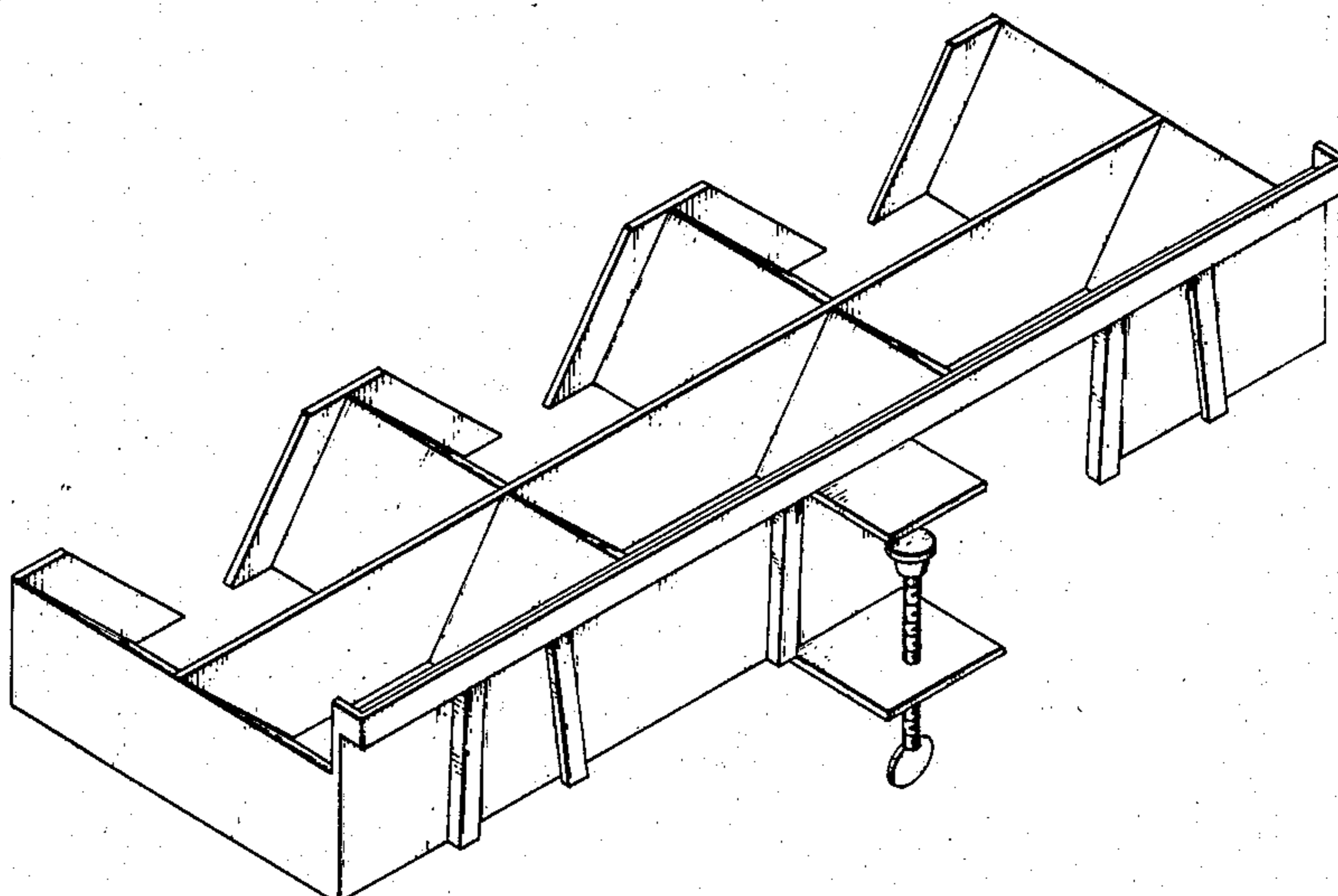
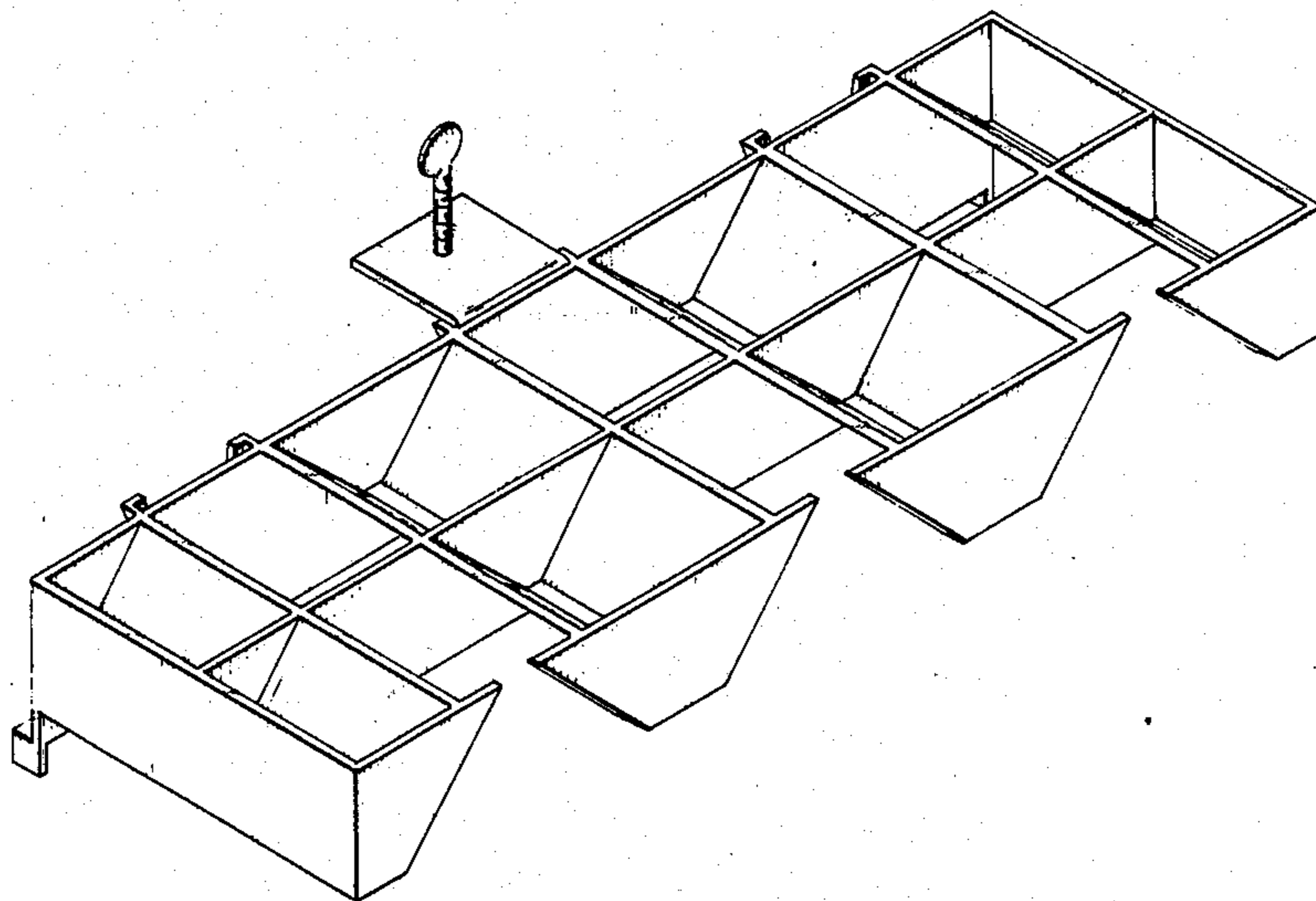
Primary Examiner—Carmen H. Vales
Attorney, Agent, or Firm—Howard C. Miskin

[57] CLAIM

The ornamental design for a shelf extender attachment
for displaying merchandise, as shown and described.

DESCRIPTION

FIG. 1 is a front bottom perspective view of a shelf
extender attachment for displaying merchandise show-
ing my new design,
FIG. 2 is a rear top perspective view thereof,
FIG. 3 is a bottom plan view thereof,
FIG. 4 is a top plan view thereof,
FIG. 5 is a front elevational view of FIG. 1, and
FIG. 6 is a rear elevational view thereof.



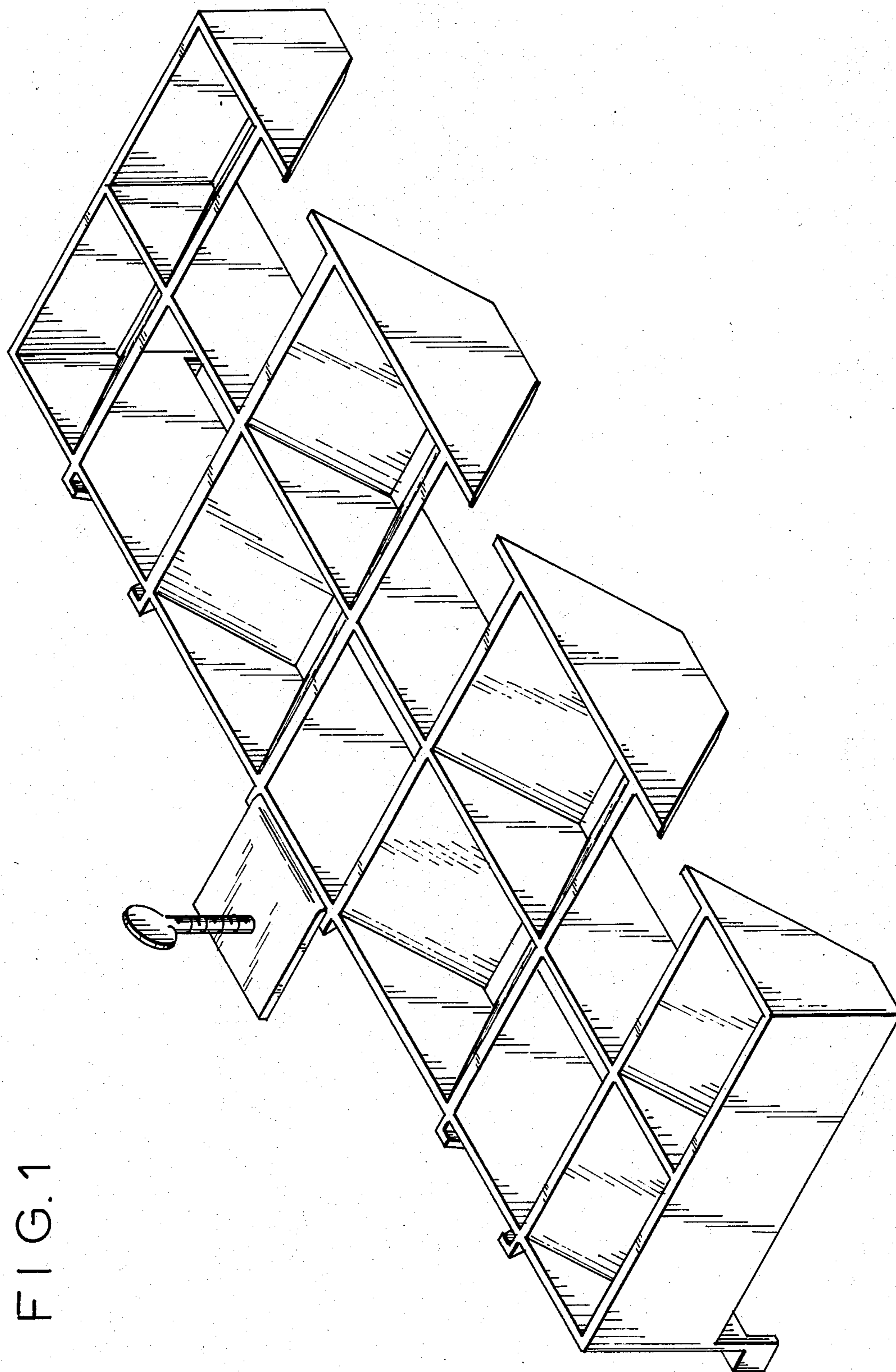


FIG. 1

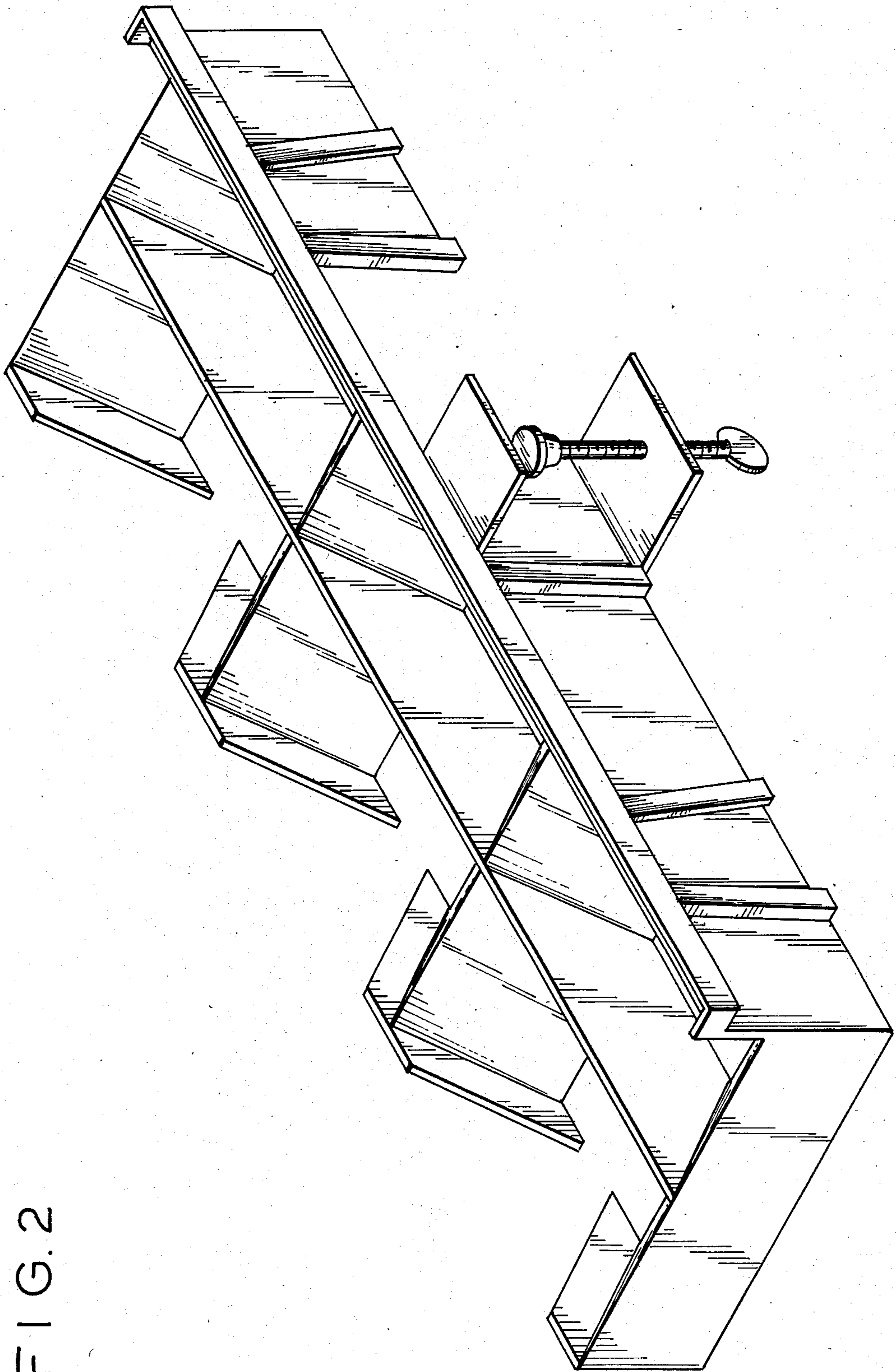


FIG. 2

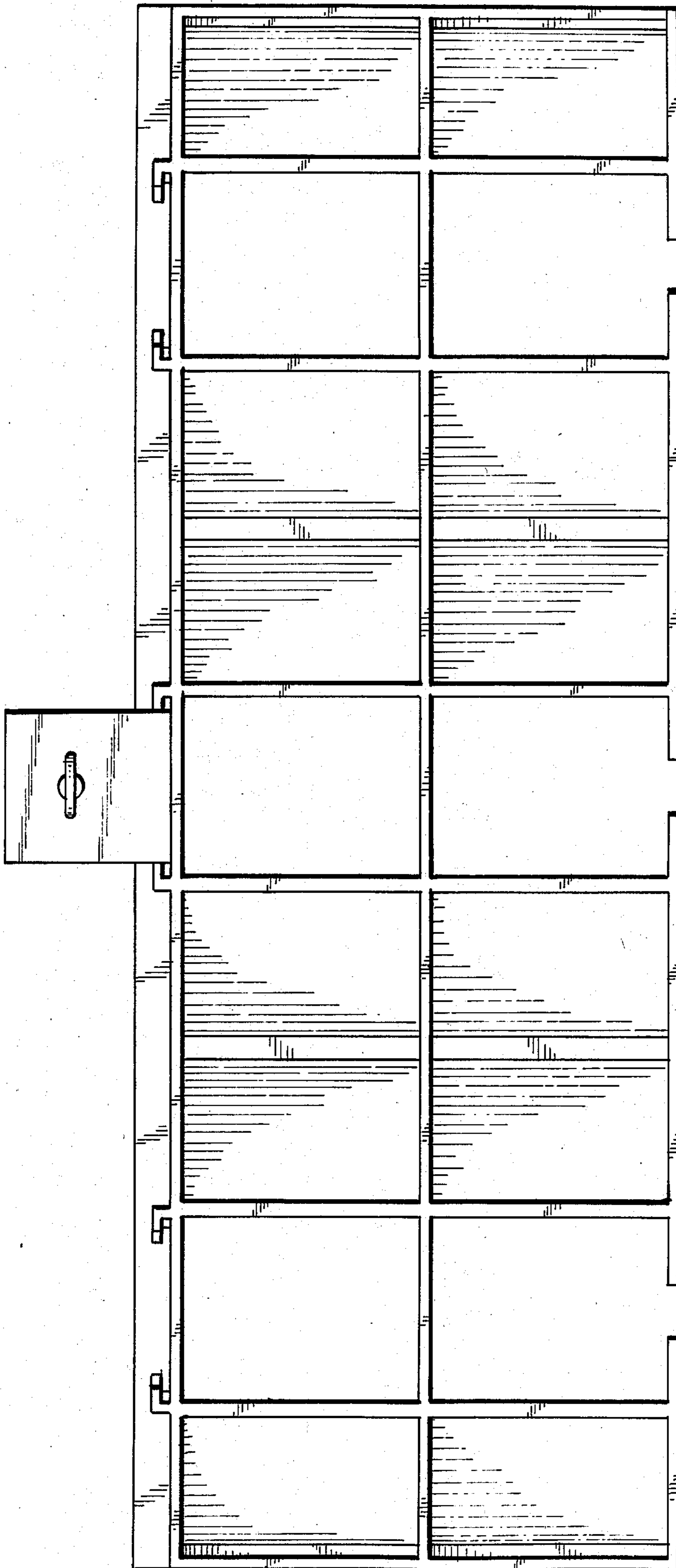


FIG. 3

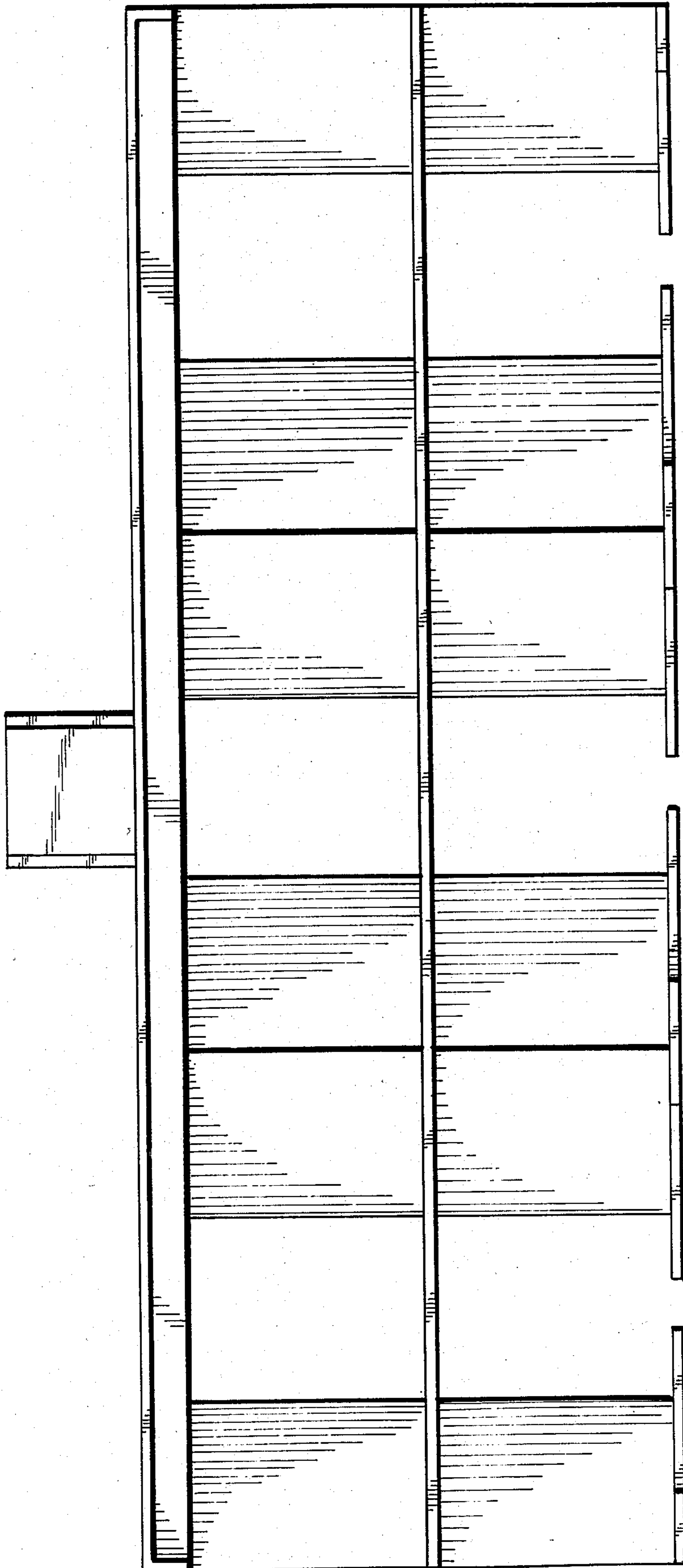


FIG. 4

FIG. 5

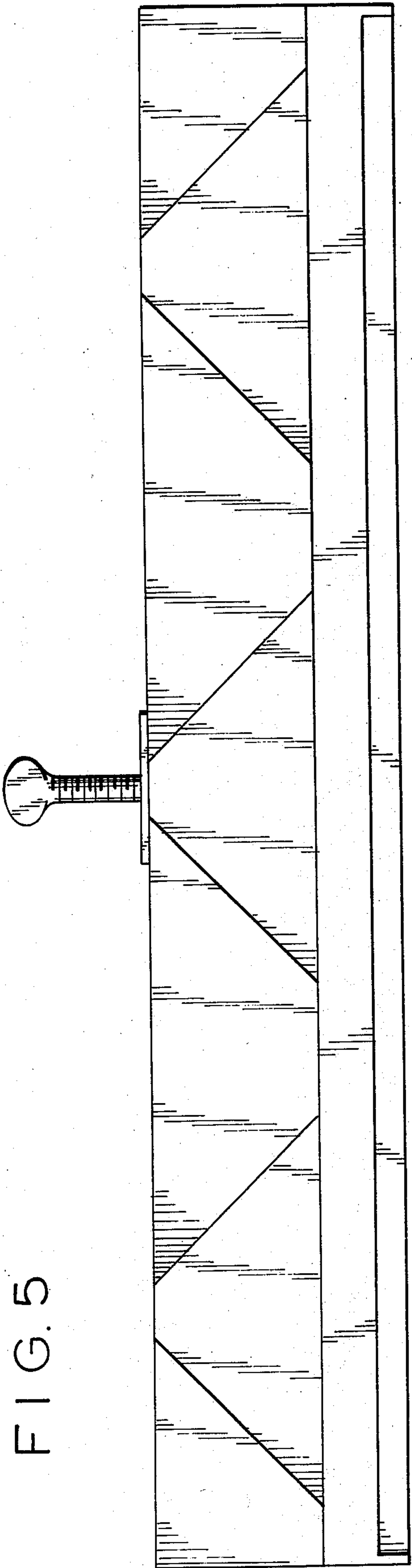


FIG. 6

