

- [54] **CORD ACCESS GROMMET SET FOR OFFICE FURNITURE USE**
- [76] **Inventor: Douglas A. J. Mockett, 2634 Via Rivera, Palos Verdes Estates, Calif. 90274**
- [\*\*] **Term: 14 Years**
- [21] **Appl. No.: 769,972**
- [22] **Filed: Aug. 27, 1985**
- [52] **U.S. Cl. .... D6/491; D13/30**
- [58] **Field of Search ..... D6/422, 426, 491; D13/30, 31**

- [56] **References Cited**
- U.S. PATENT DOCUMENTS**
- D. 188,792 9/1960 Robbins ..... D13/31 X
  - D. 214,449 6/1969 Greene ..... D13/30 X
  - D. 273,449 4/1984 Wiczorek ..... D6/426

**OTHER PUBLICATIONS**

“Rucker Safety Sentry”, brochure, outside front cover, Power Box bottom left.

*Primary Examiner*—Bruce W. Dunkins  
*Attorney, Agent, or Firm*—Sanford Astor

[57] **CLAIM**

The ornamental design for a cord access grommet set for office furniture use, as shown and described.

**DESCRIPTION**

FIG. 1 is a perspective view of a cord access grommet set for office furniture use, as assembled, showing the top surface of the cap and base of my new design; FIG. 2 is an exploded perspective view showing the top surface of the cap and base; and FIG. 3 is an exploded view of the cap and base taken from below and showing the side opposite that shown in FIG. 2.

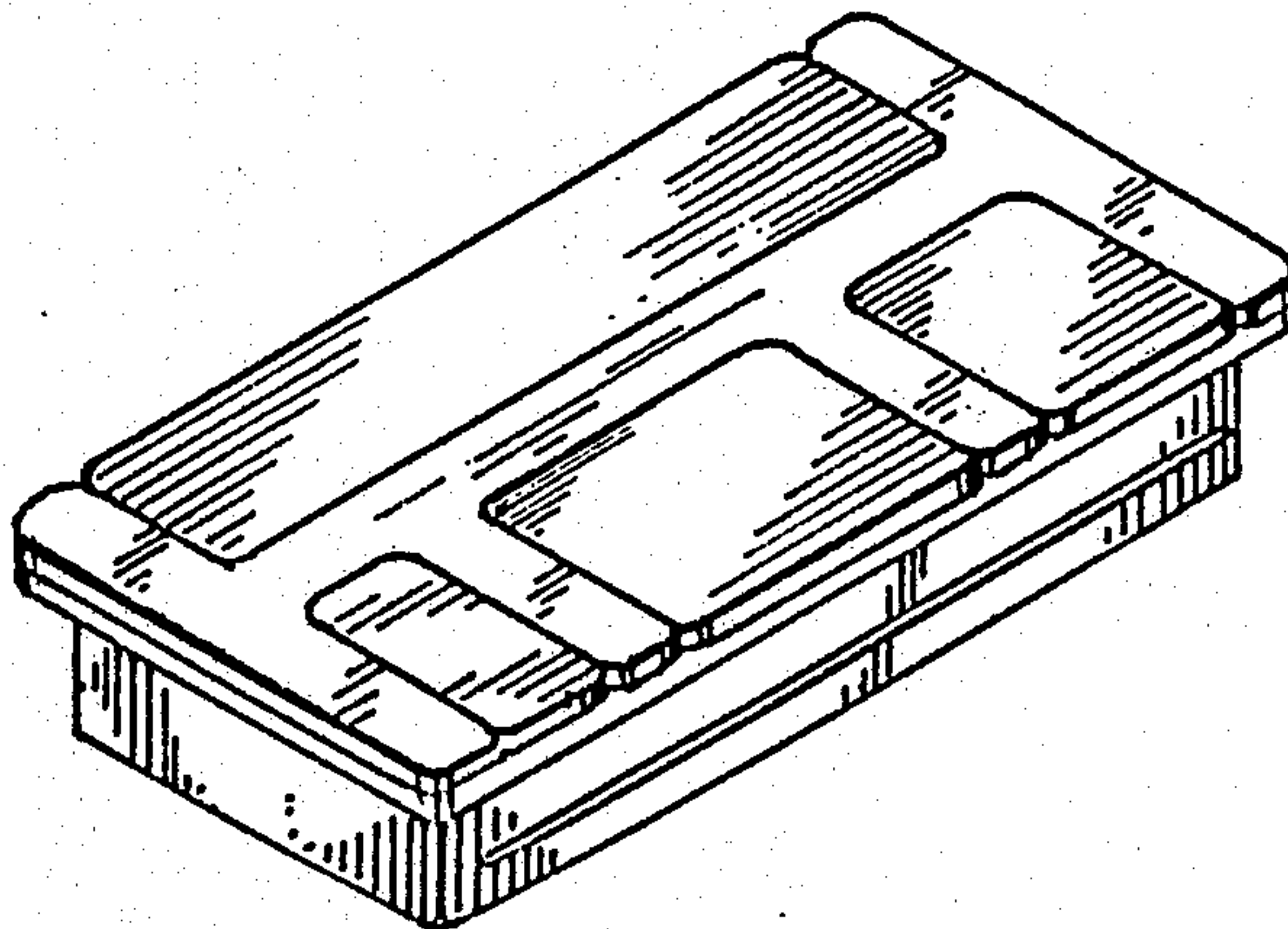


FIG. 1

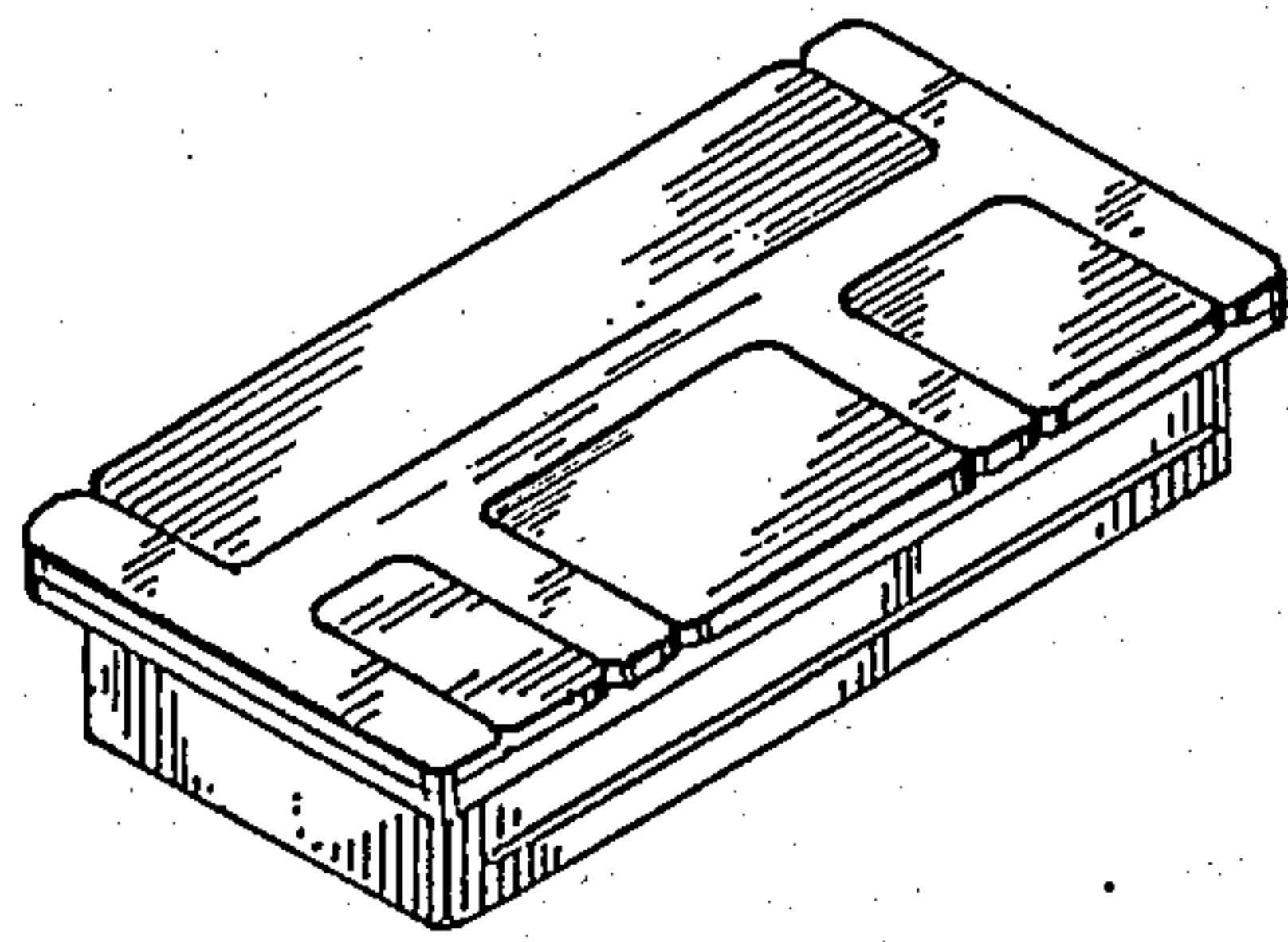


FIG. 2

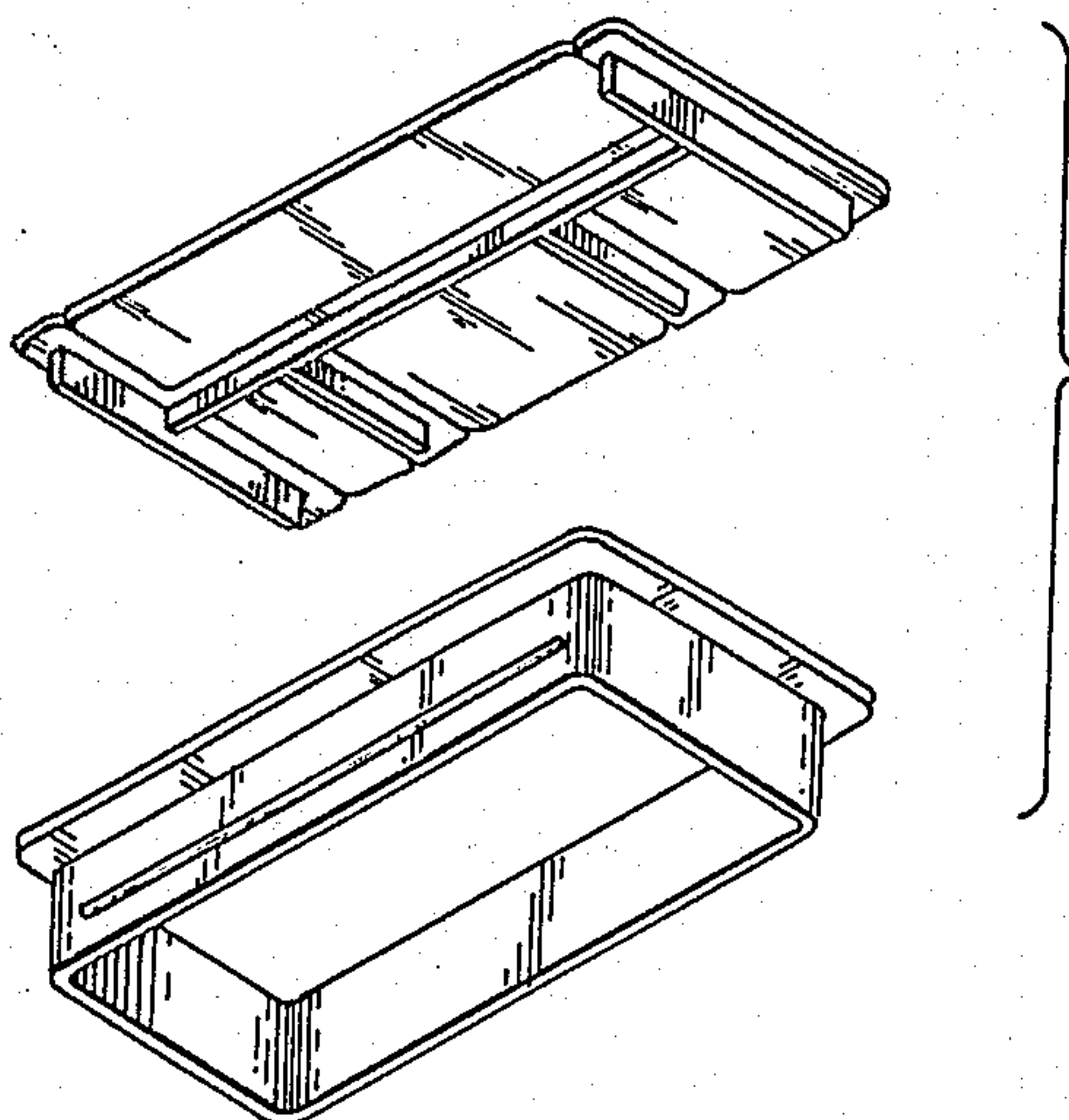
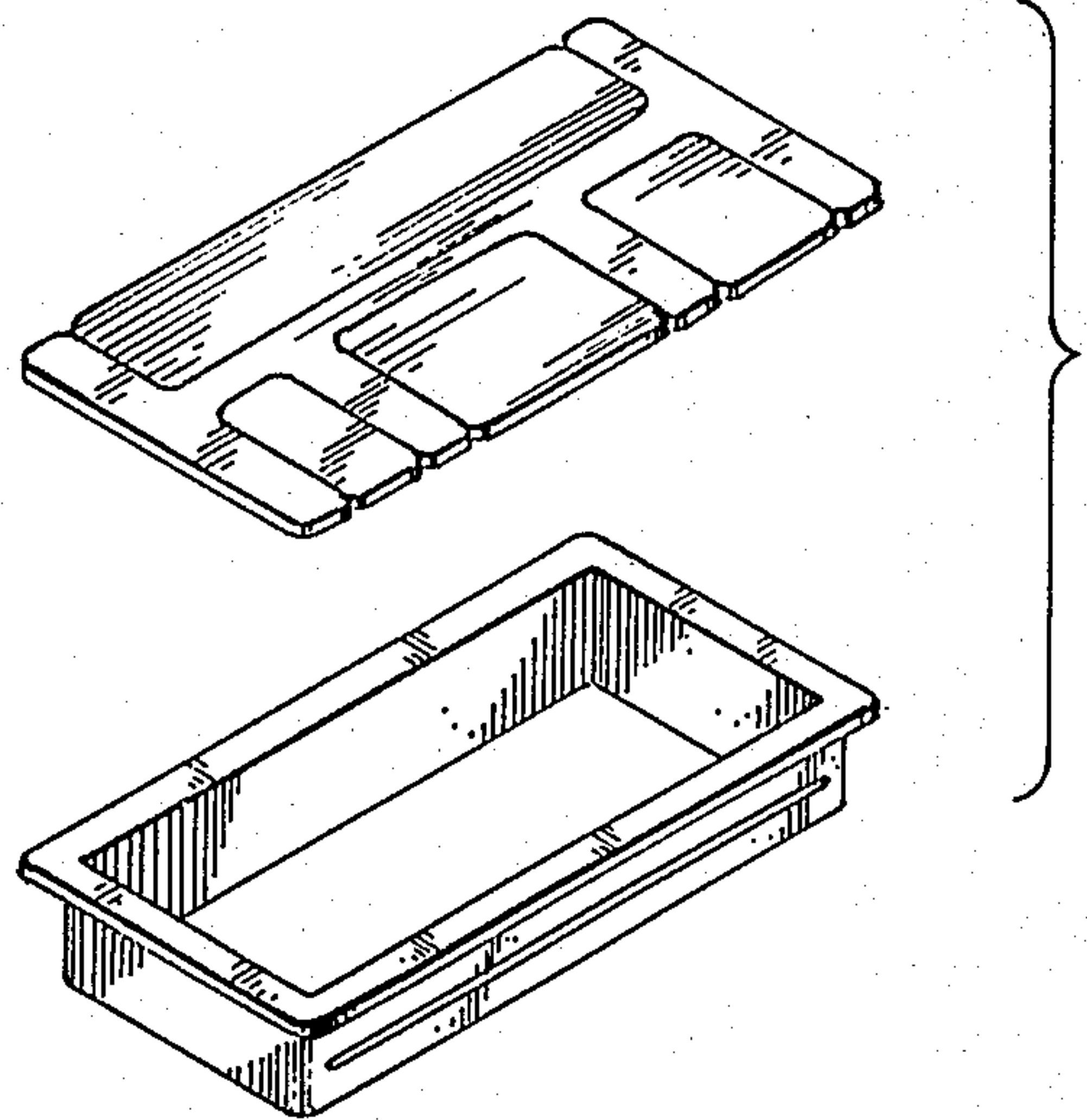


FIG. 3