

[54] COMPUTER STAND WITH SLIDABLE SHAFT AND DOCUMENT HOLDER

[75] Inventors: David O. Hatcher, Eggertsville; Walter N. Fudula, Cheektowaga, both of N.Y.

[73] Assignee: Posting Equipment Corporation, Buffalo, N.Y.

[*] Notice: The portion of the term of this patent subsequent to Jan. 13, 2001 has been disclaimed.

[**] Term: 14 Years

[21] Appl. No.: 812,515

[22] Filed: Dec. 23, 1985

[52] U.S. Cl. D6/474; D6/429; D14/114

[58] Field of Search D6/449, 474, 420, 429, D6/430; D14/114, 100; D19/90, 91; D18/23; 312/194-196, 208, 320, 322

[56] References Cited

U.S. PATENT DOCUMENTS

- D. 221,191 7/1971 Nutt D19/91
- D. 287,678 1/1987 Hatcher et al. D6/474

OTHER PUBLICATIONS

Demco Fall 1985 Catalog, Published 9/85, p. 3; "Drop-

ping Keyboard Storage Drawer Item #S149-7168", bottom center of page.

Primary Examiner—Carmen H. Vales
Attorney, Agent, or Firm—Christel, Bean & Linihan

[57] CLAIM

The ornamental design for a computer stand with slidable shelf and document holder, as shown and described.

DESCRIPTION

FIG. 1 is a perspective view of a computer stand with slidable shelf and document holder showing my new design;

FIG. 2 is a perspective view with the shelf in extended position and the document holder in upright position;

FIG. 3 is a top plan view of FIG. 1;

FIG. 4 is a front elevational view thereof;

FIG. 5 is a rear elevational view thereof;

FIG. 6 is a left side elevational view thereof;

FIG. 7 is a right side elevational view thereof;

FIG. 8 is a top plan view of FIG. 2 with the document holder in an alternate position of use;

FIG. 9 is a bottom plan view thereof;

FIG. 10 is a front elevational view thereof;

FIG. 11 is a left side elevational view thereof;

FIG. 12 is a front elevational view, the broken line showing of a computer and keyboard is for illustrative purposes only; and

FIG. 13 is a rear elevational view thereof.

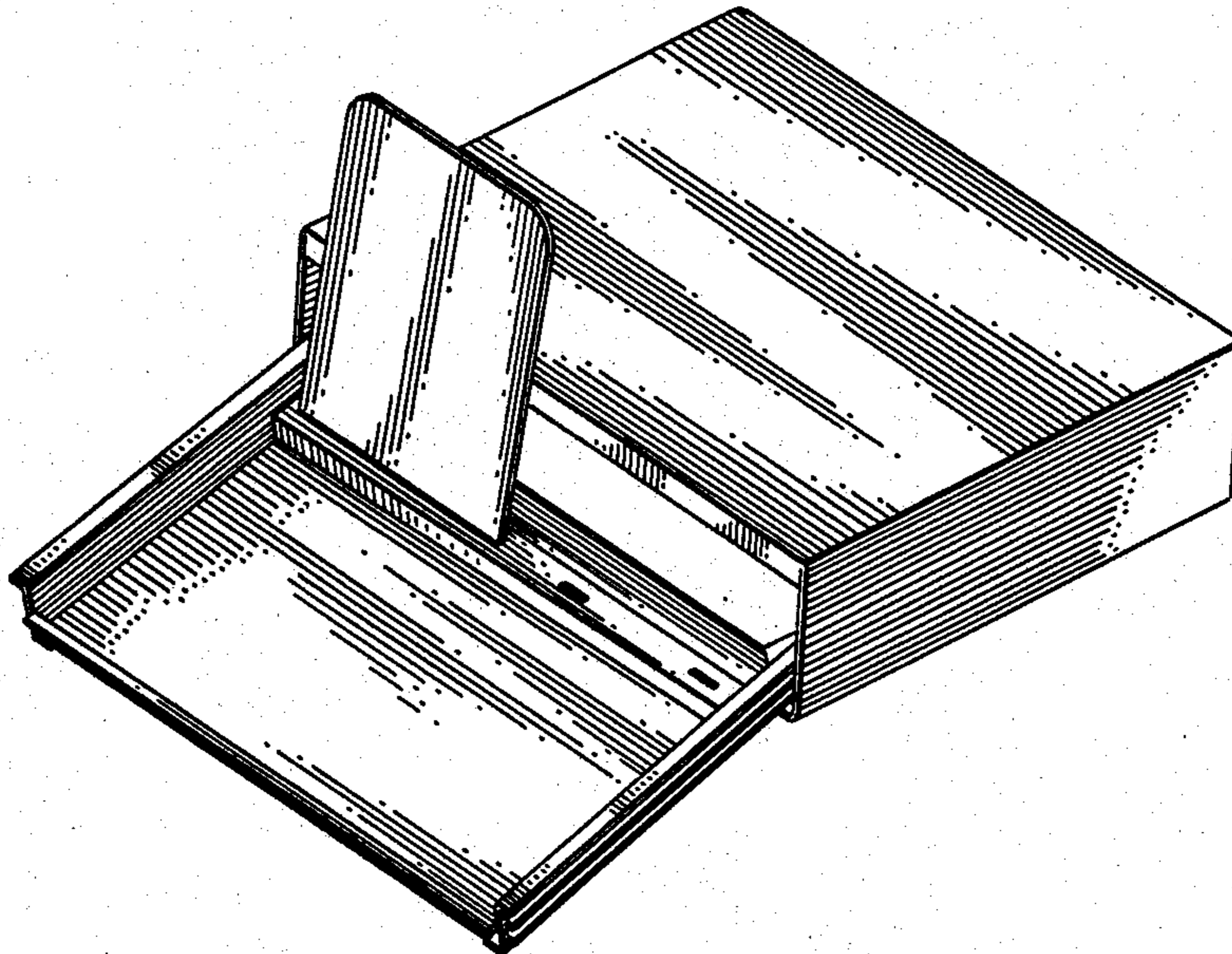


Fig. 1.

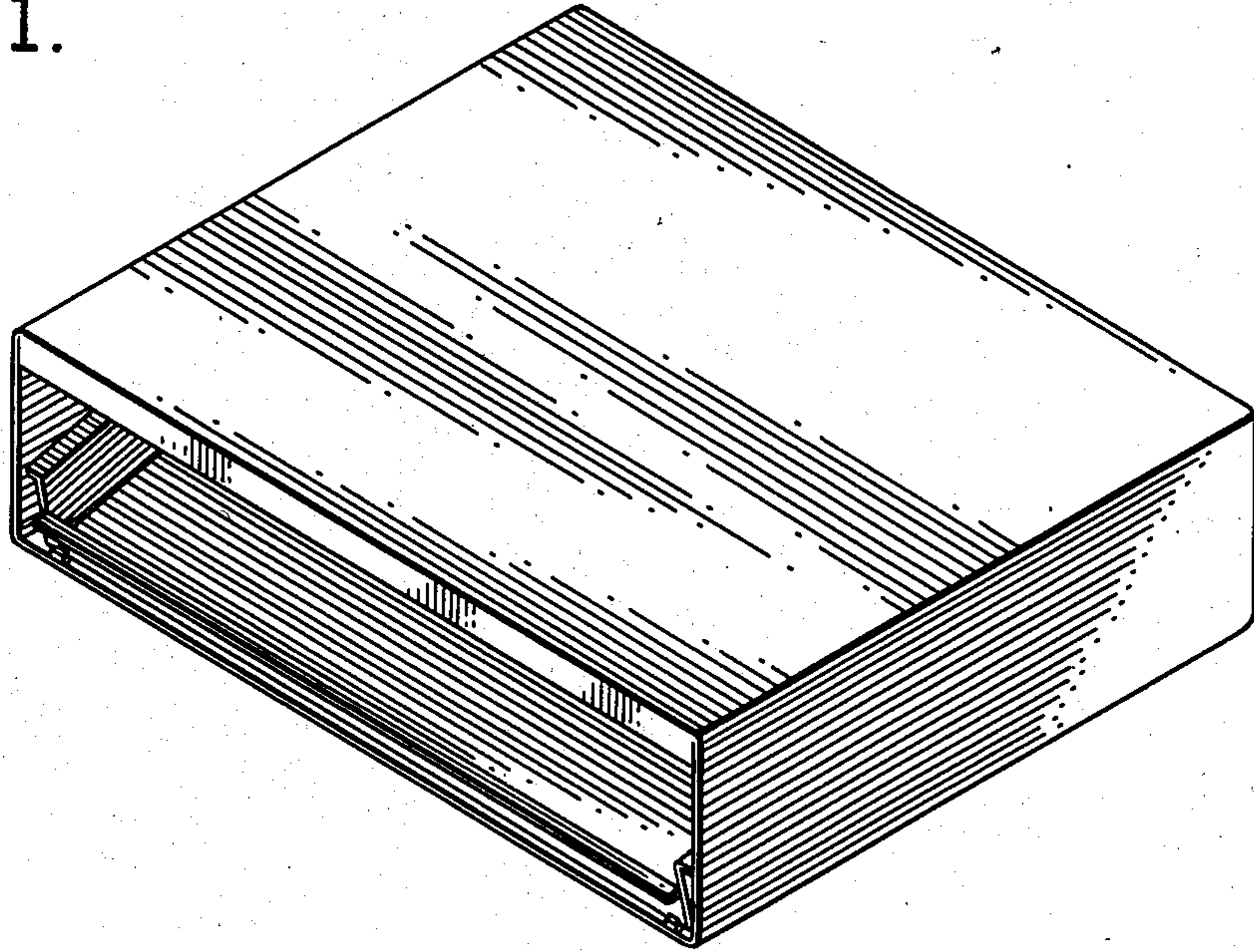


Fig. 2.

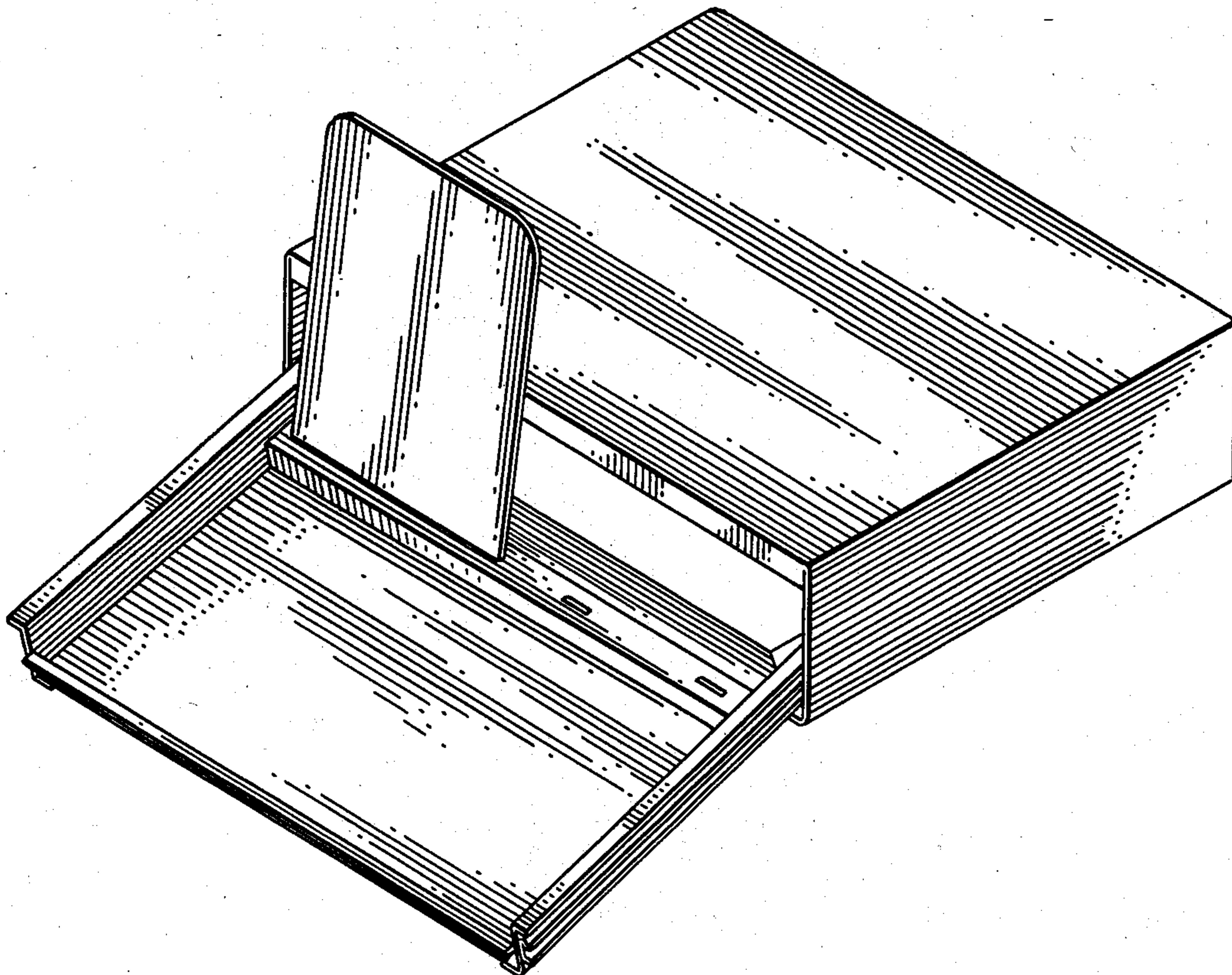


Fig. 3.

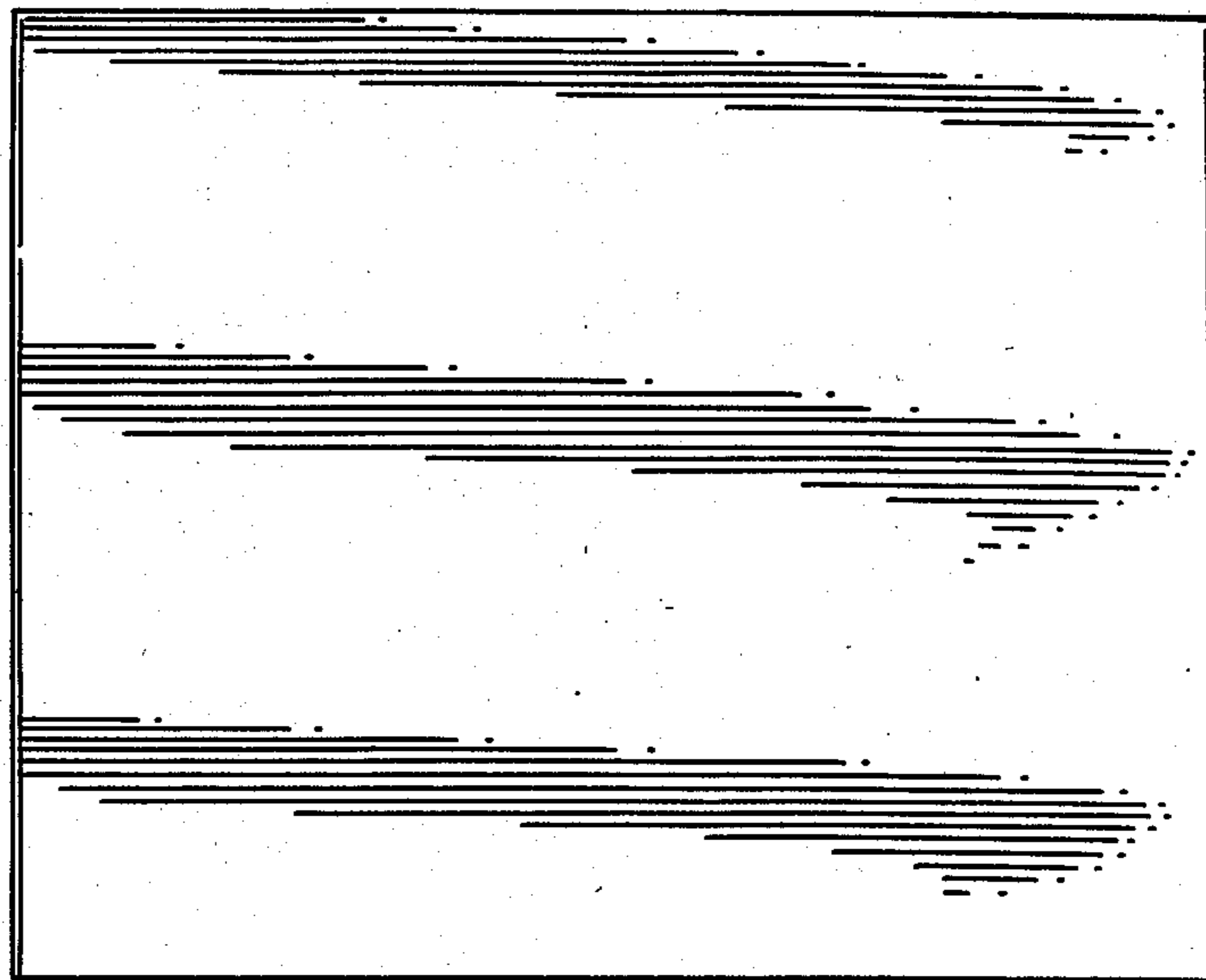


Fig. 4.

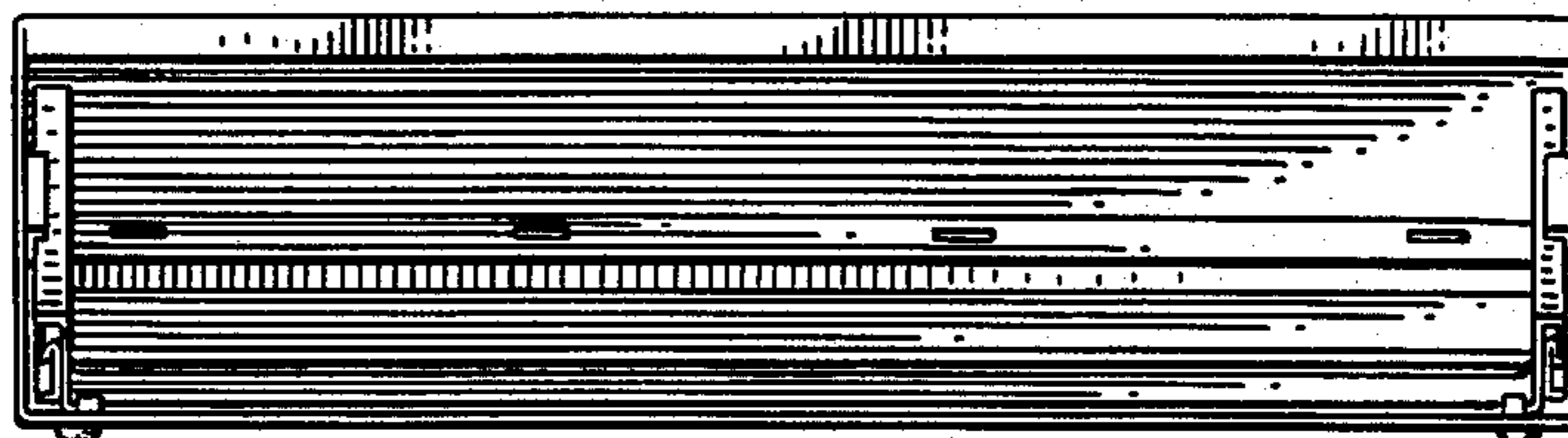


Fig. 5.

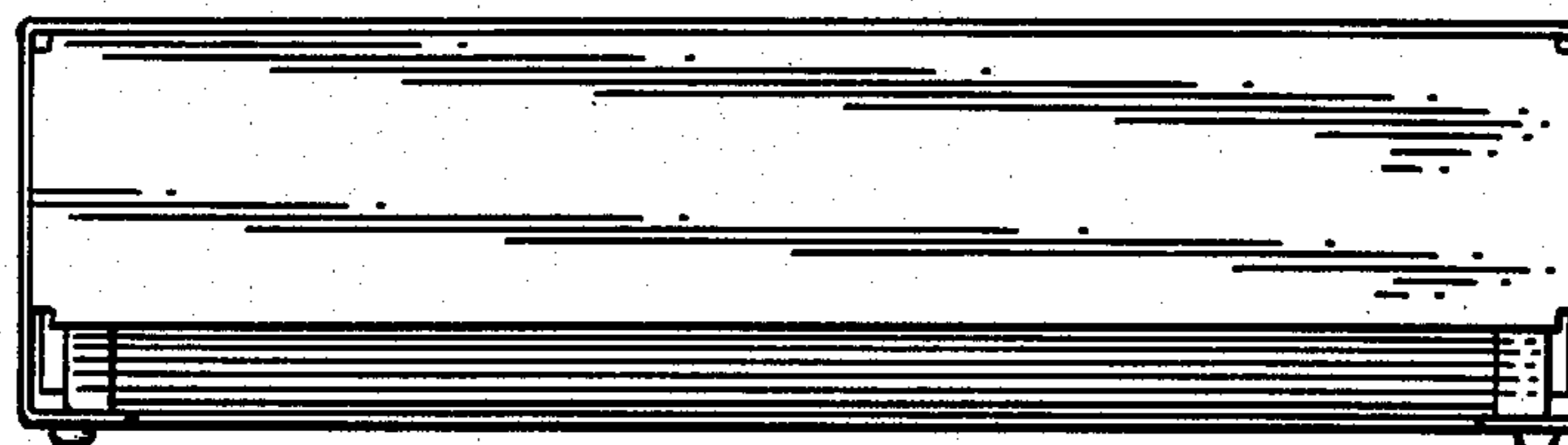


Fig. 6.

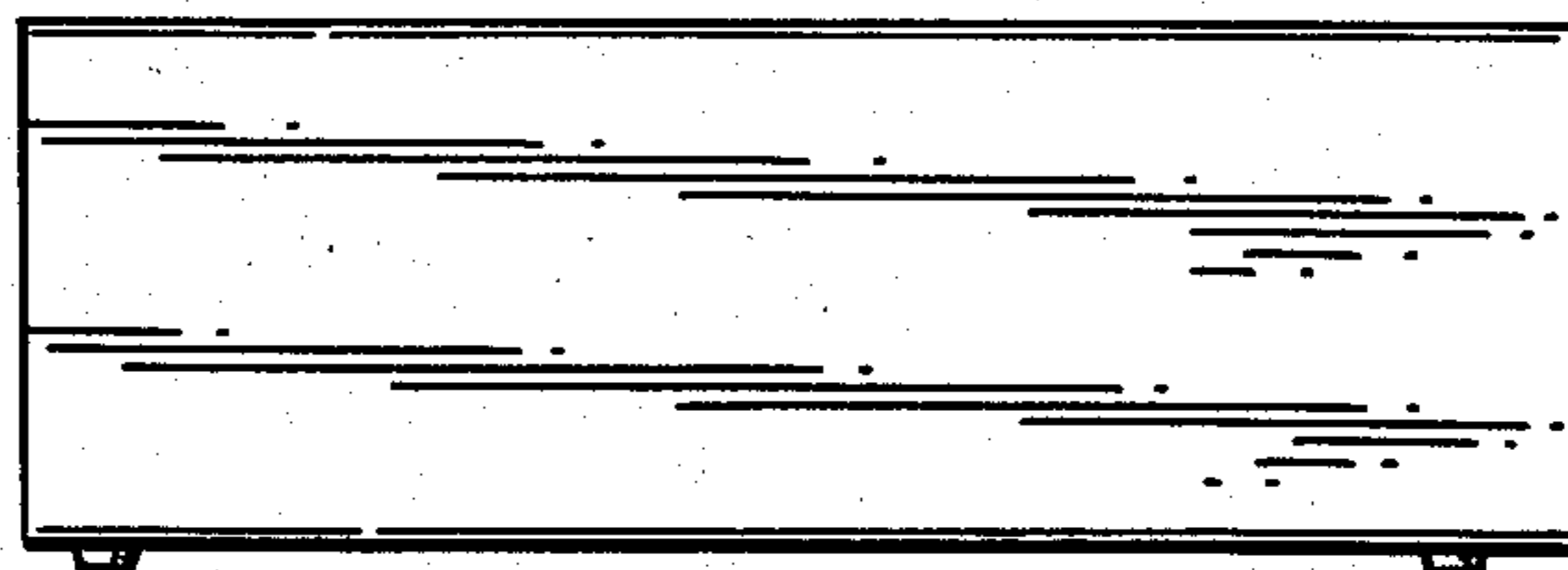


Fig. 7.

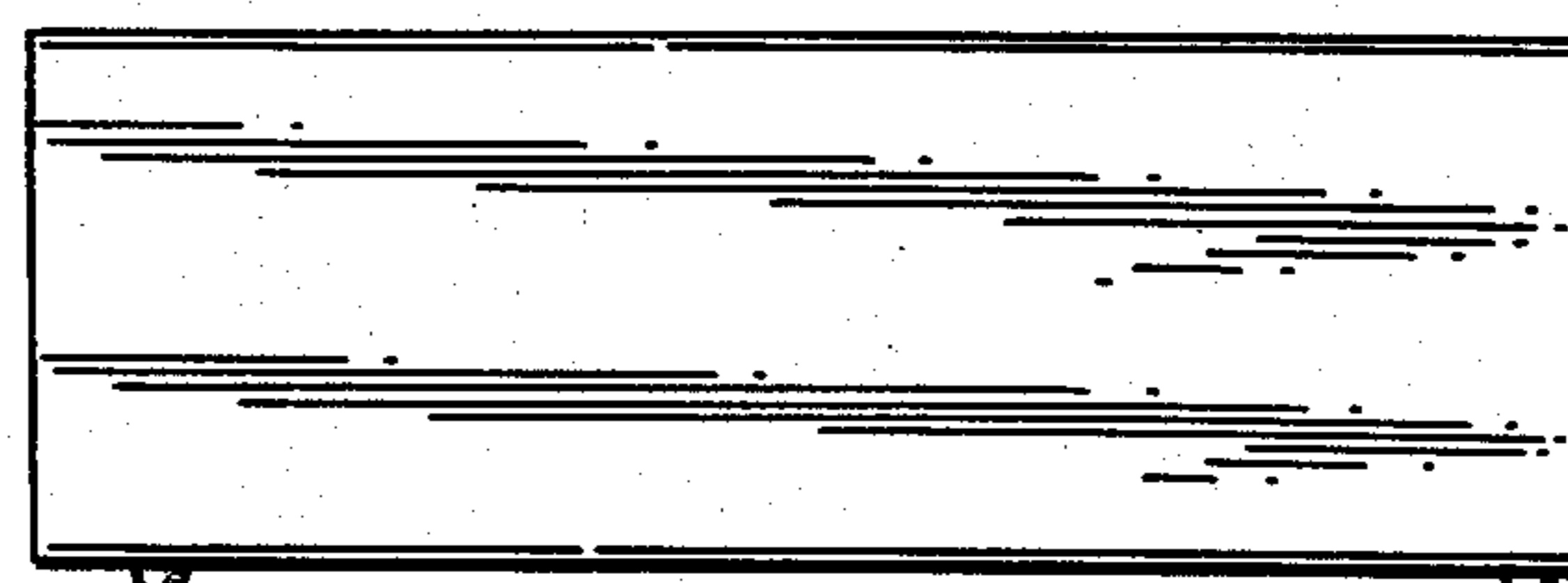


Fig. 8.

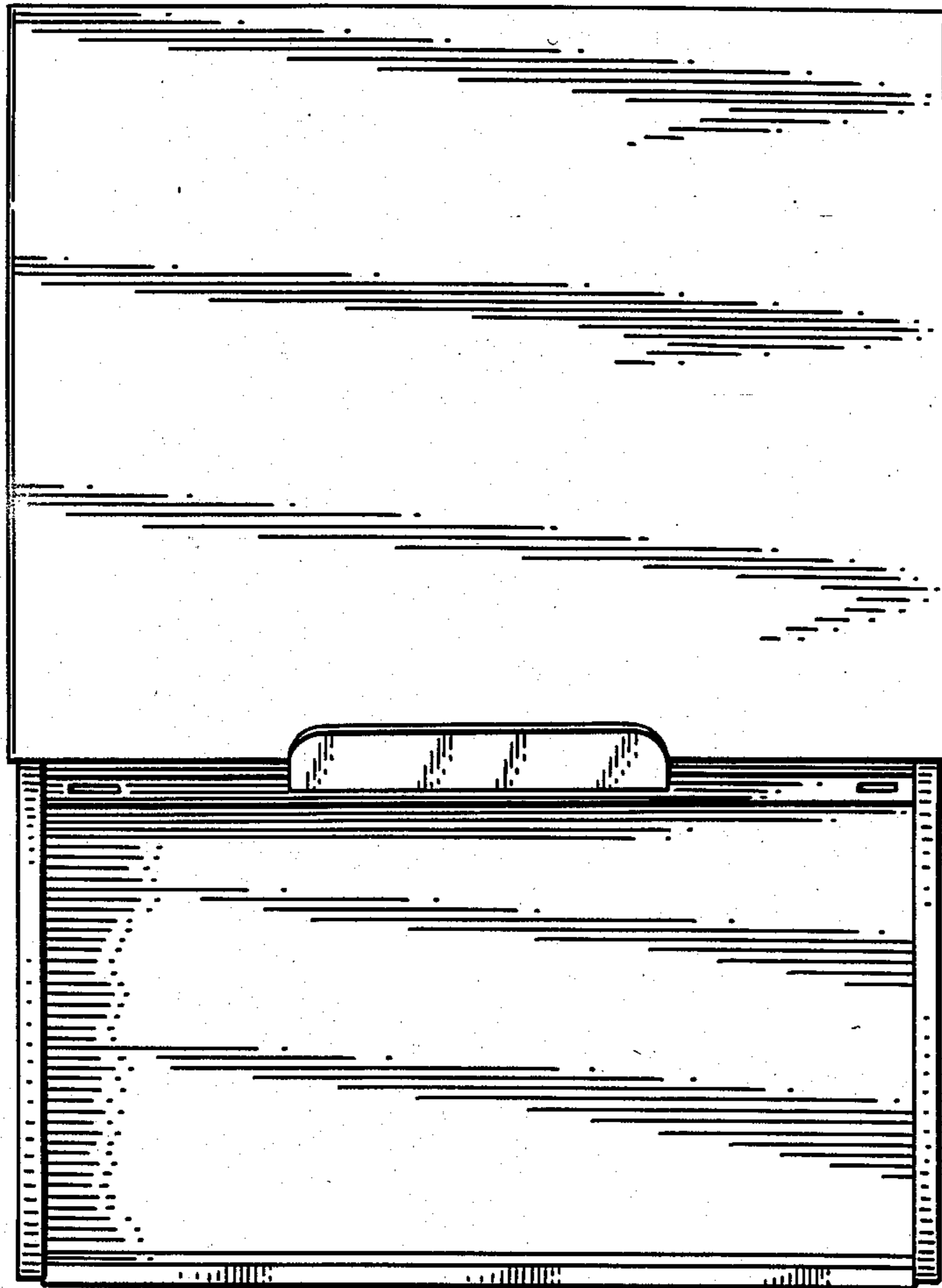


Fig. 11.

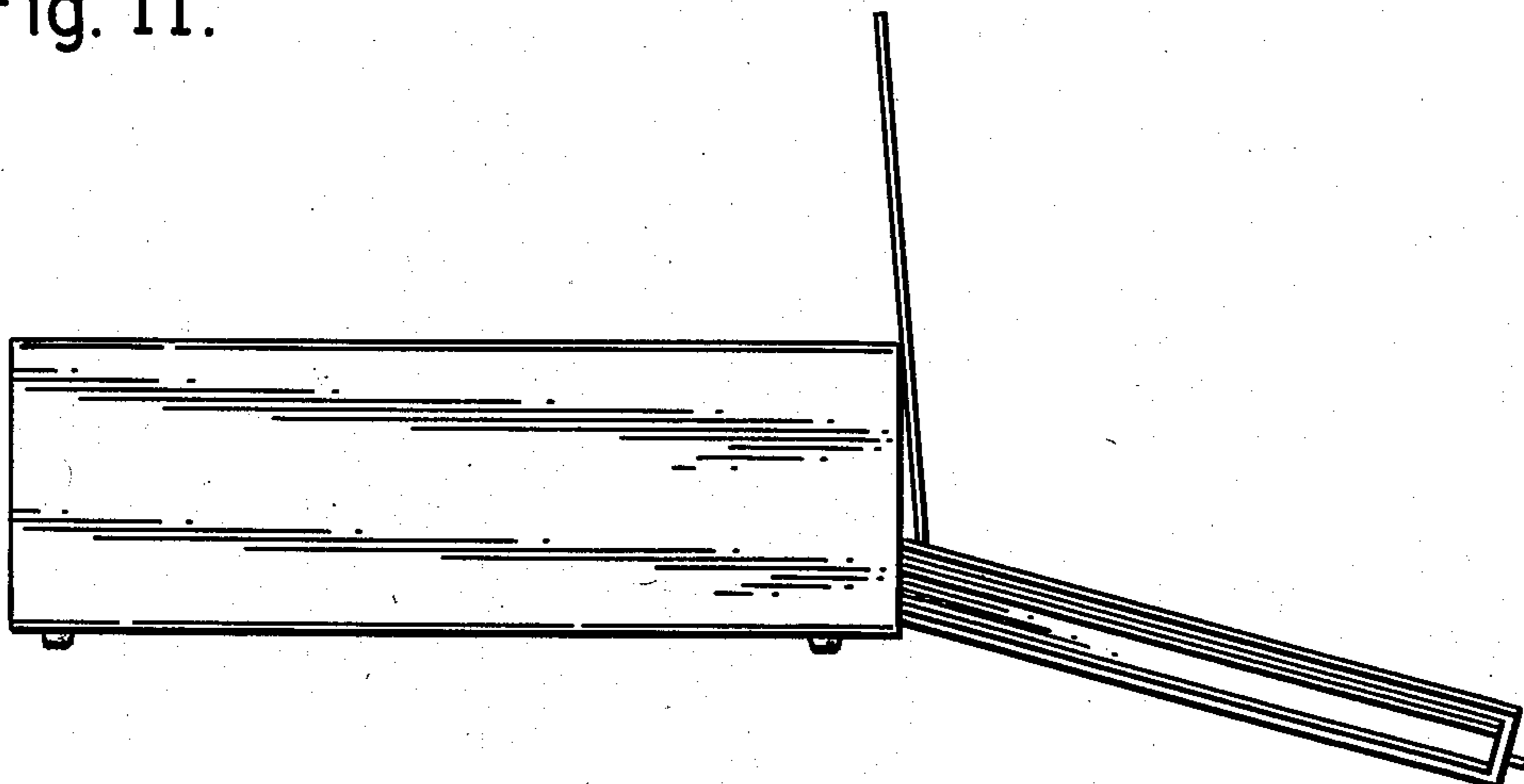


Fig. 9.

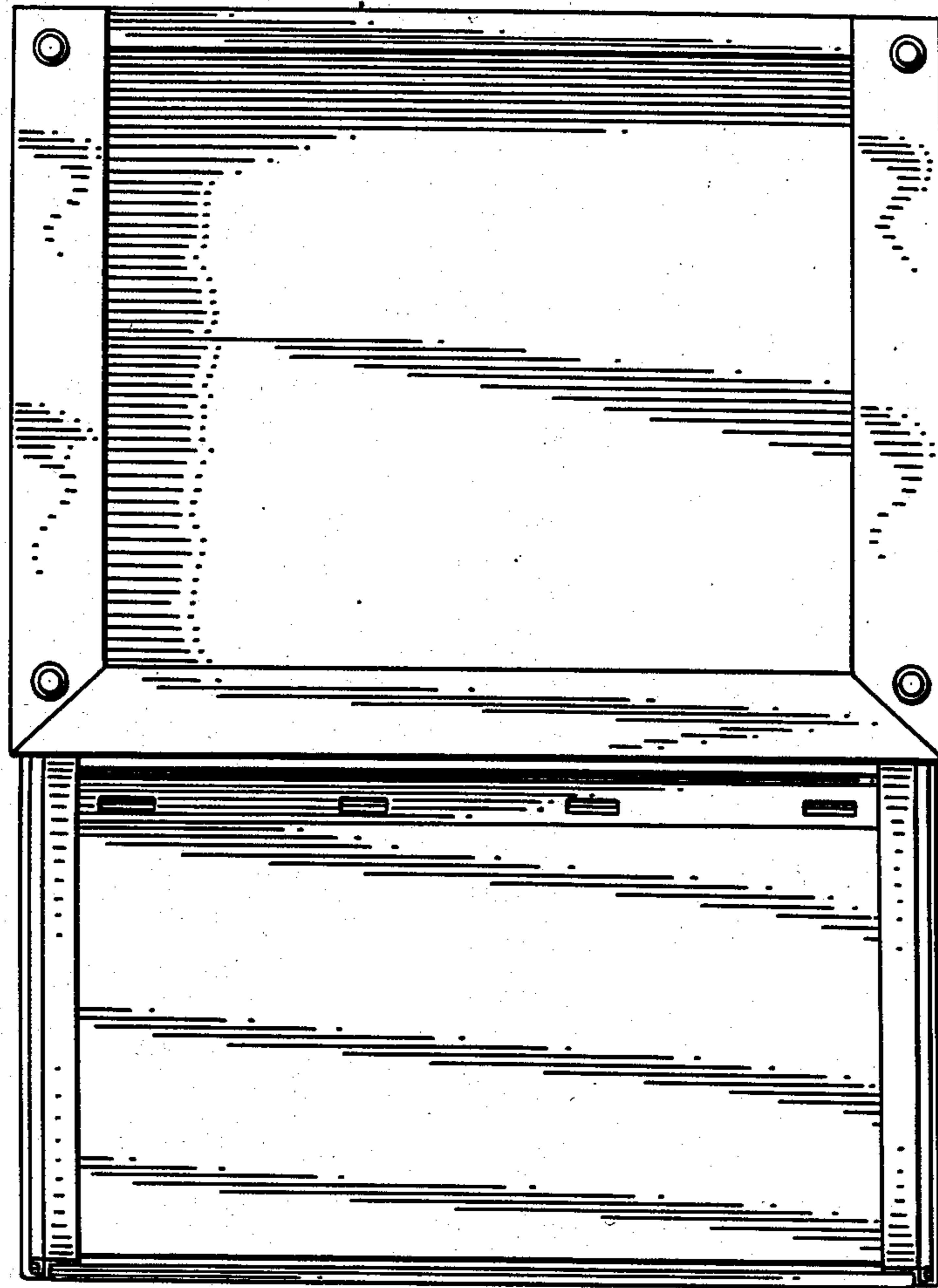


Fig. 10.

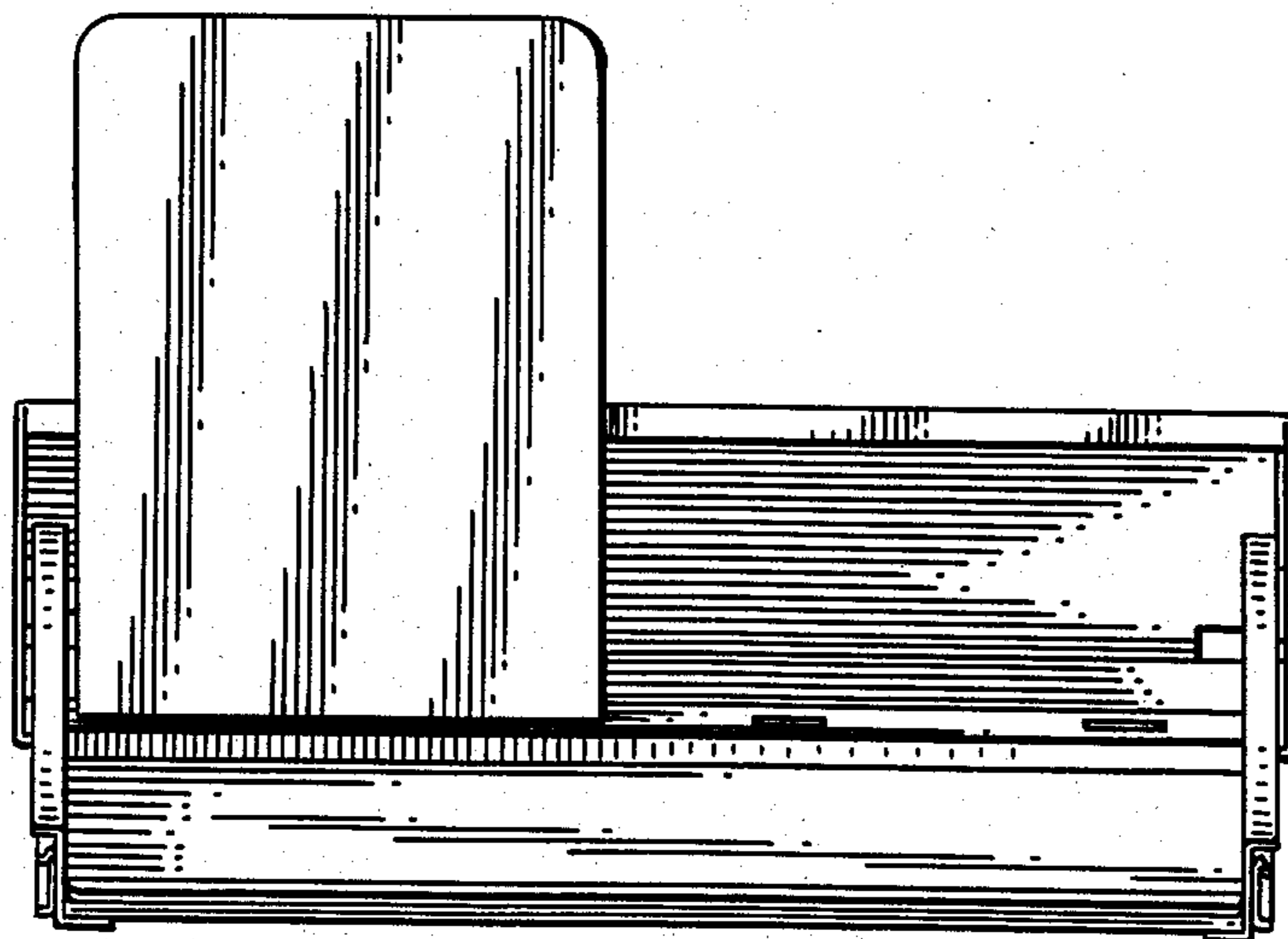


Fig. 12.

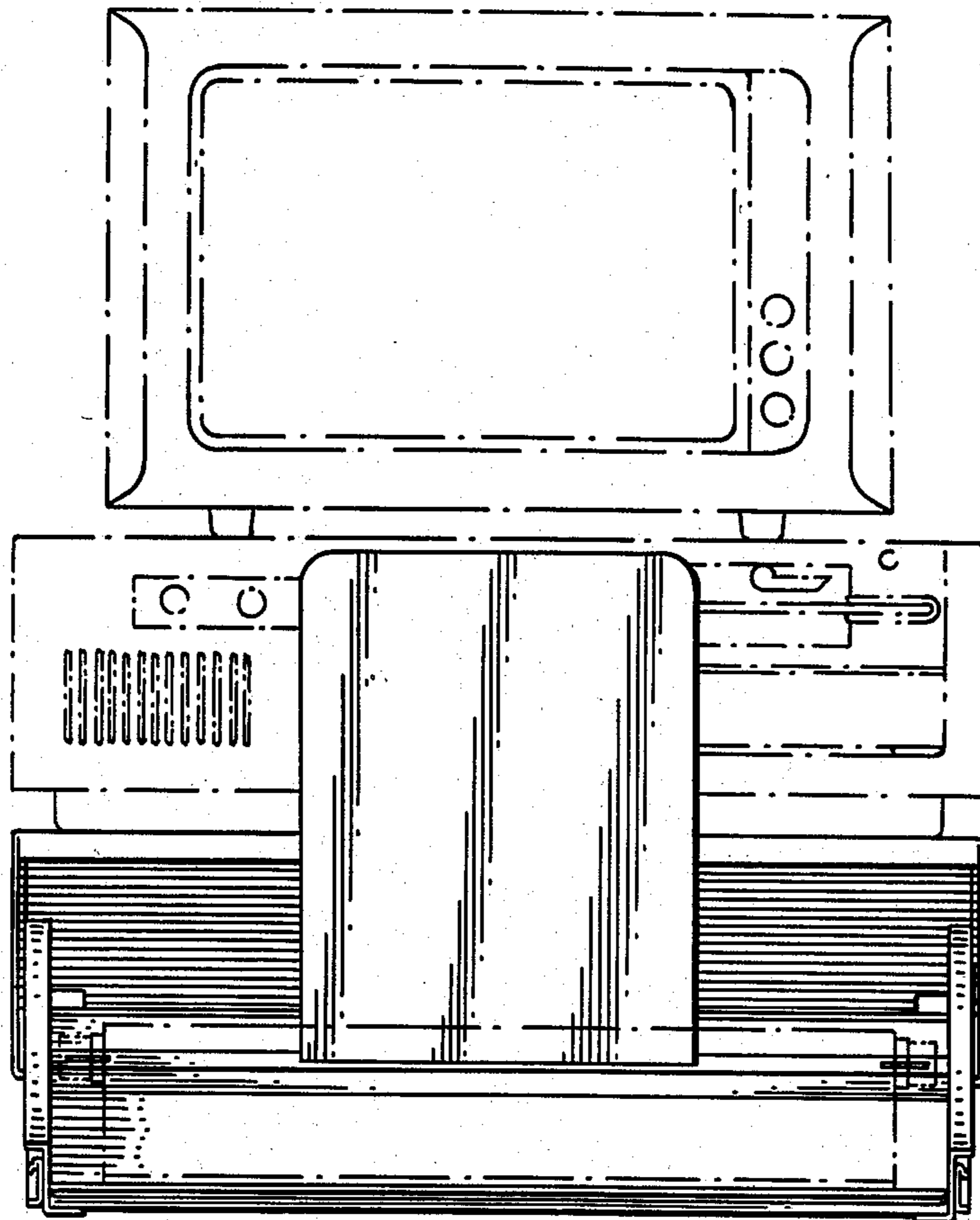
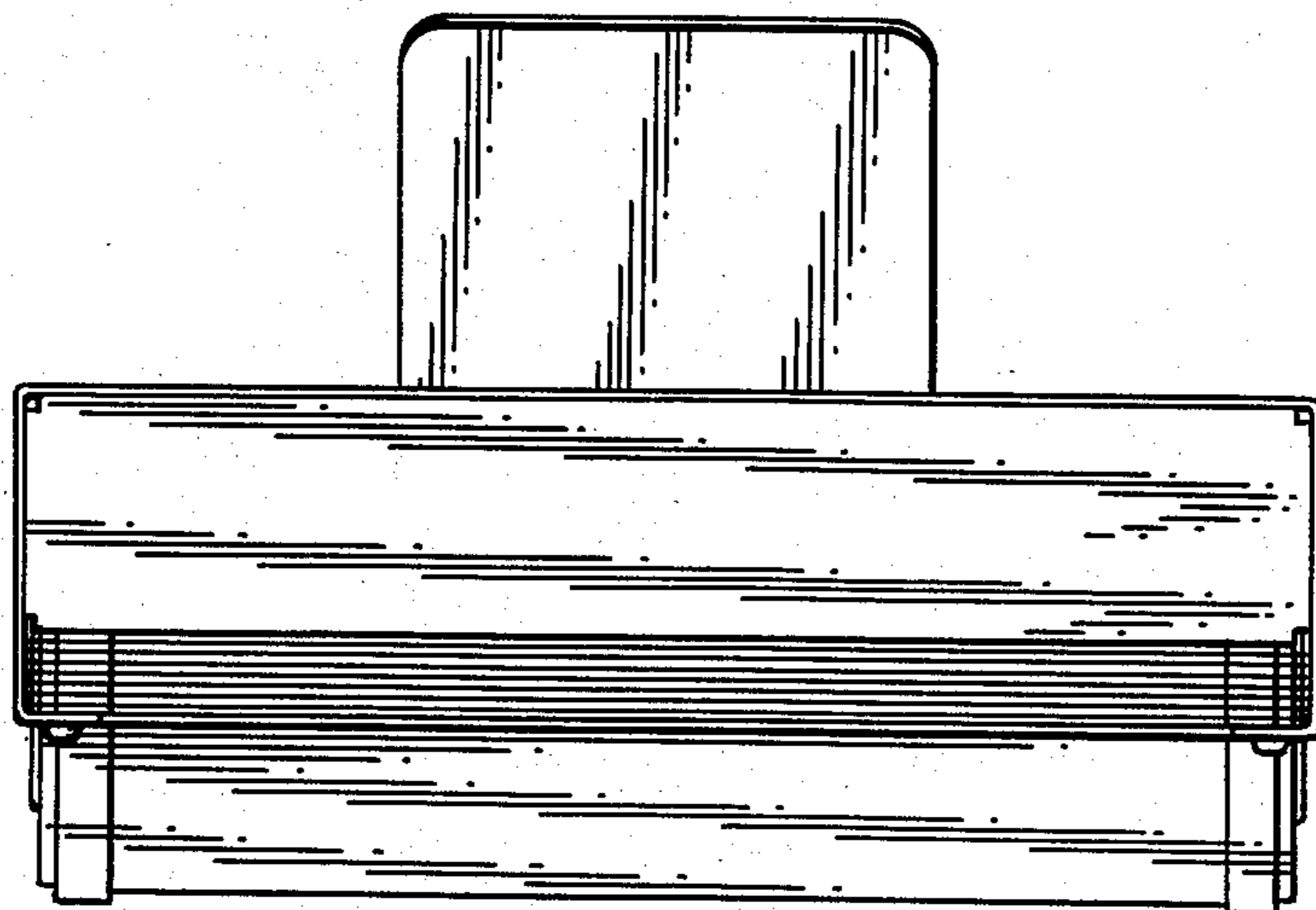


Fig. 13.



UNITED STATES PATENT AND TRADEMARK OFFICE
CERTIFICATE OF CORRECTION

PATENT NO. : Des. 298,493

DATED : November 15, 1988

INVENTOR(S) : David O. Hatcher and Walter N. Fudula

It is certified that error appears in the above-identified patent and that said Letters Patent is hereby corrected as shown below:

In the title the word "SHAFT" should be --SHELF--.

Signed and Sealed this
Twenty-eighth Day of March, 1989

Attest:

DONALD J. QUIGG

Attesting Officer

Commissioner of Patents and Trademarks