

[54] **STACKABLE CHAIR OR SIMILAR ARTICLE**

[75] **Inventor: Koni Ochsner, Wettingen, Switzerland**

[73] **Assignee: Giroflex Entwicklungs AG, Koblenz, Switzerland**

[\*\*] **Term: 14 Years**

[21] **Appl. No.: 902,389**

[22] **Filed: Aug. 29, 1986**

[30] **Foreign Application Priority Data**

May 15, 1986 [XH] Hague ..... DM/006 926  
[52] **U.S. Cl. .... D6/379; D6/380**  
[58] **Field of Search ..... D6/334, 364, 365, 366, D6/379, 380, 498; 297/452, 448, 451, 445**

[56] **References Cited**

**U.S. PATENT DOCUMENTS**

D. 273,639 5/1984 Cafiero ..... D6/366  
D. 274,771 7/1984 Ambasz ..... D6/379 X  
D. 289,707 5/1987 Favaretto ..... D6/498 X  
D. 292,149 10/1987 Monesi ..... D6/380

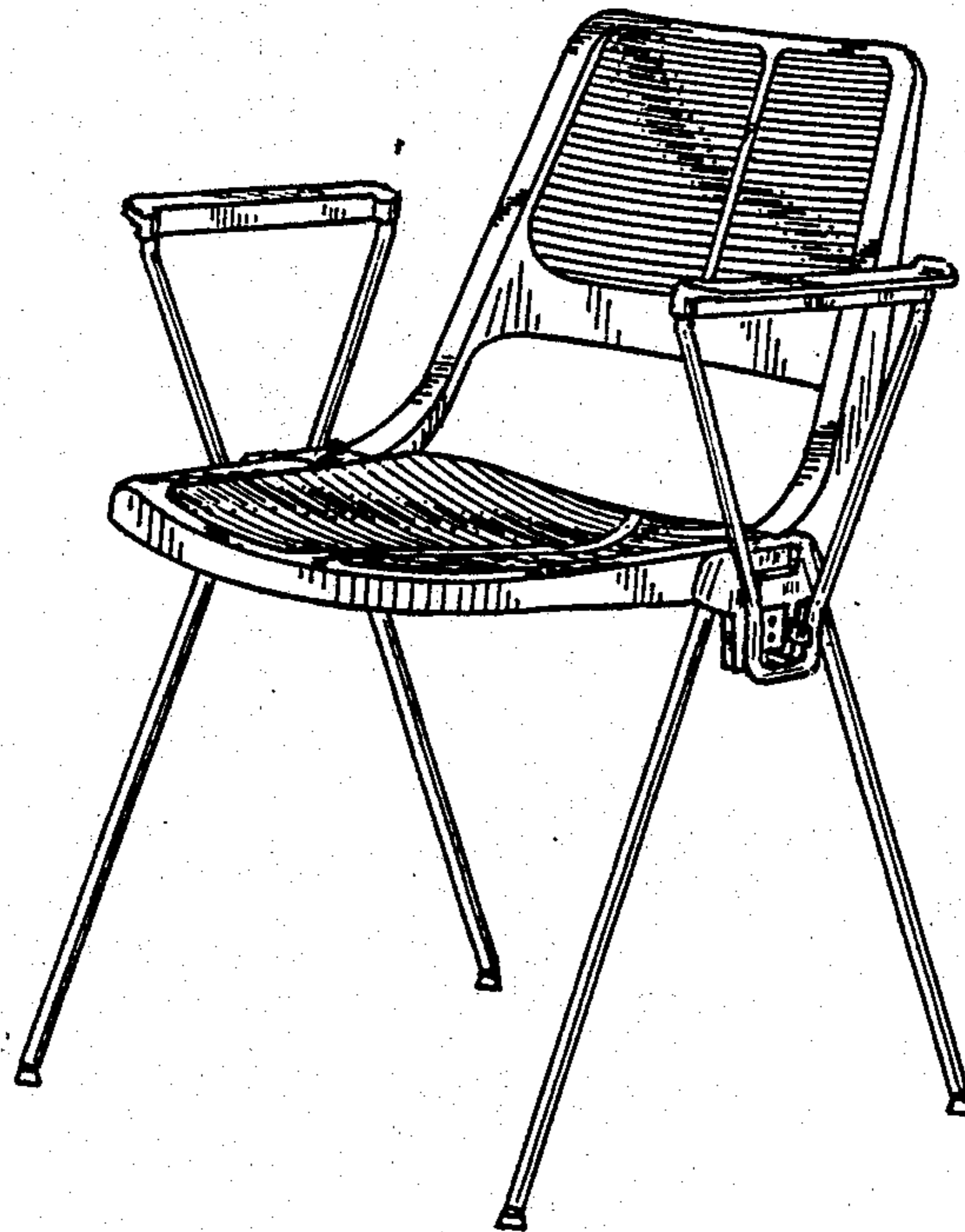
*Primary Examiner*—Bruce W. Dunkins  
*Attorney, Agent, or Firm*—Werner W. Kleeman

[57] **CLAIM**

The ornamental design for stackable chair or similar article, as shown and described.

**DESCRIPTION**

FIG. 1 is a perspective view of my stackable chair or similar article incorporating my invention;  
FIG. 2 is a front view thereof;  
FIG. 3 is a side view thereof;  
FIG. 4 is a side view opposite to that shown in FIG. 3; and  
FIG. 5 is a rear view thereof;  
FIG. 6 is a top plan view; and  
FIG. 7 is a bottom plan view.



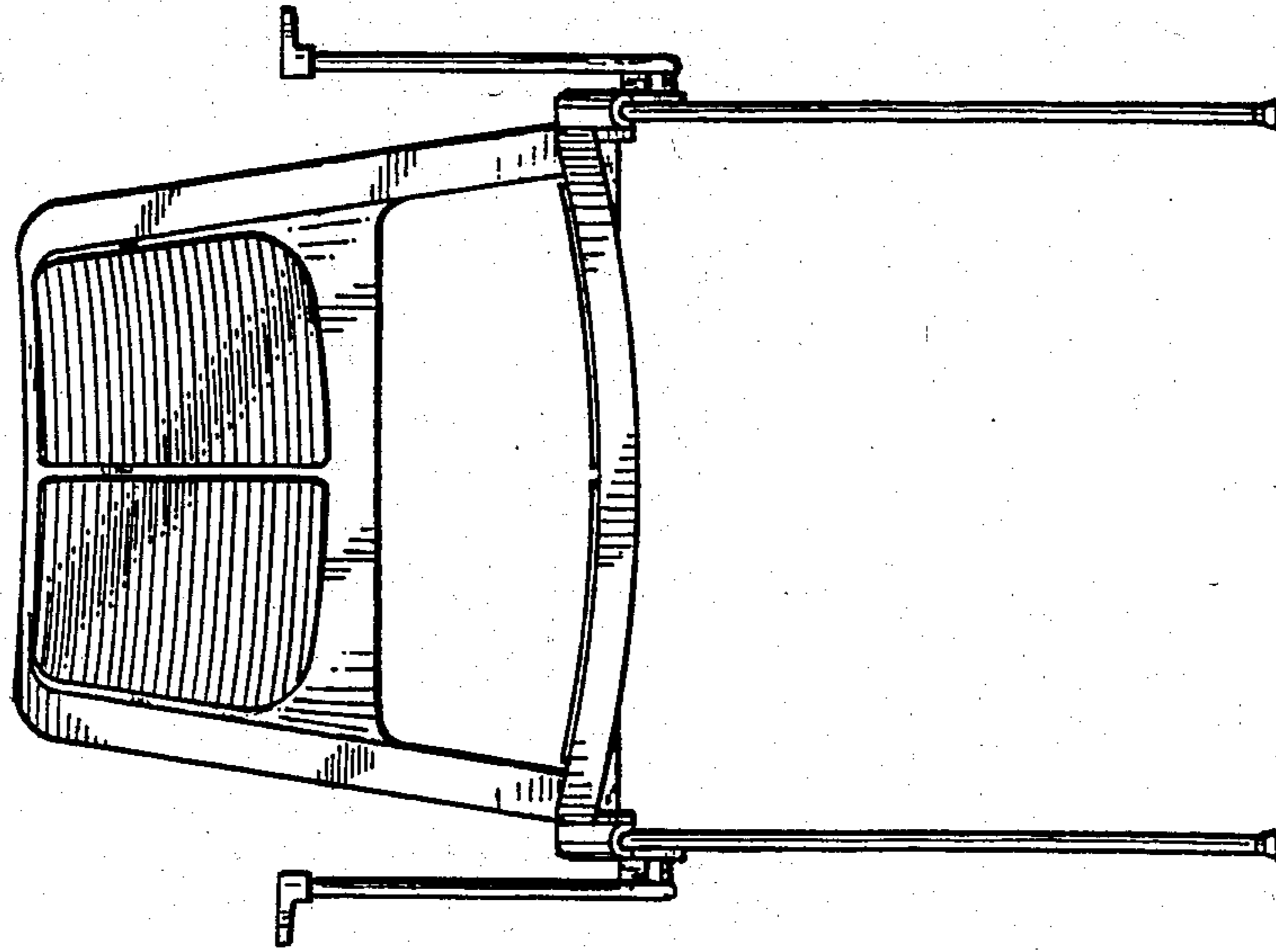


Fig. 2

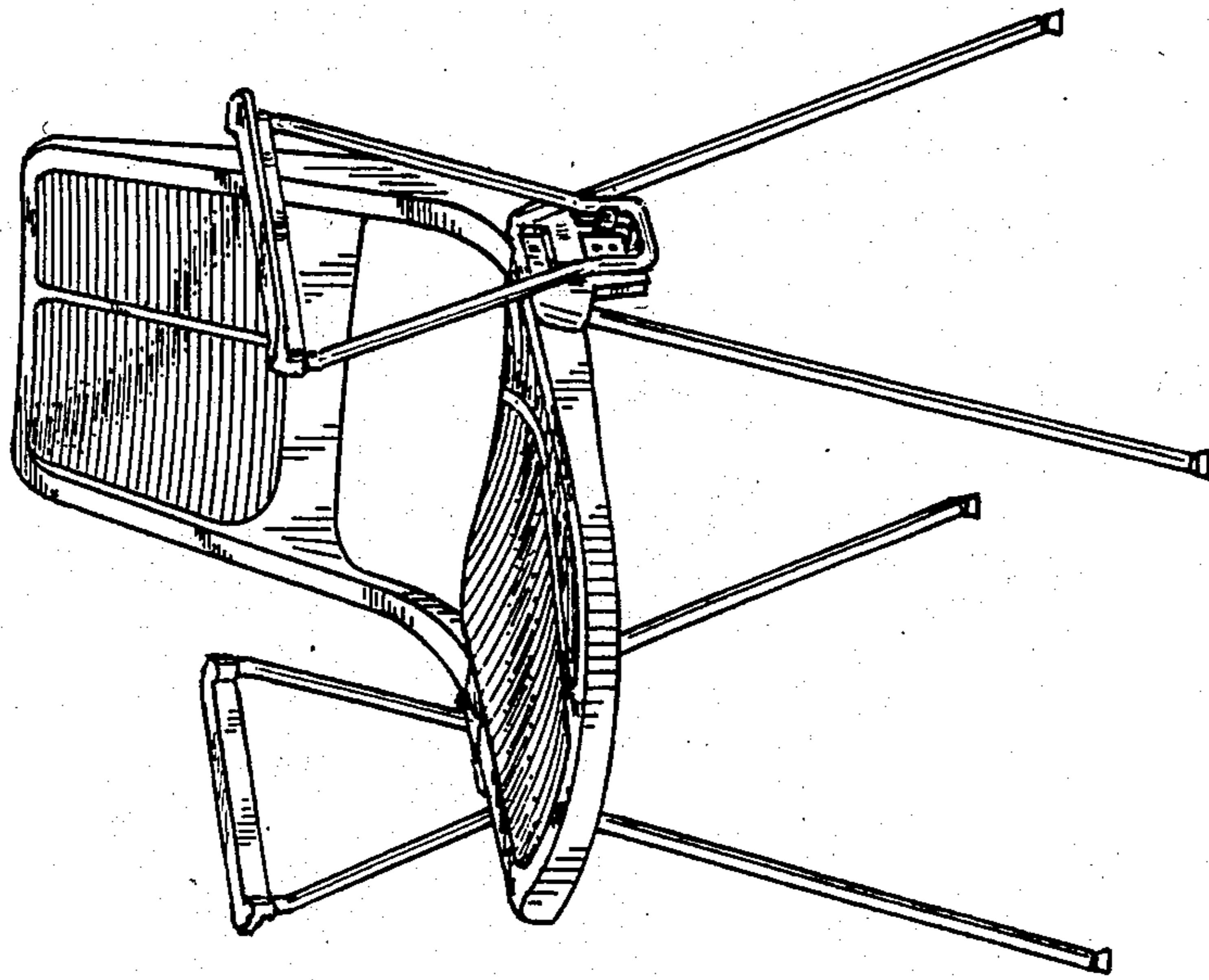


Fig. 1

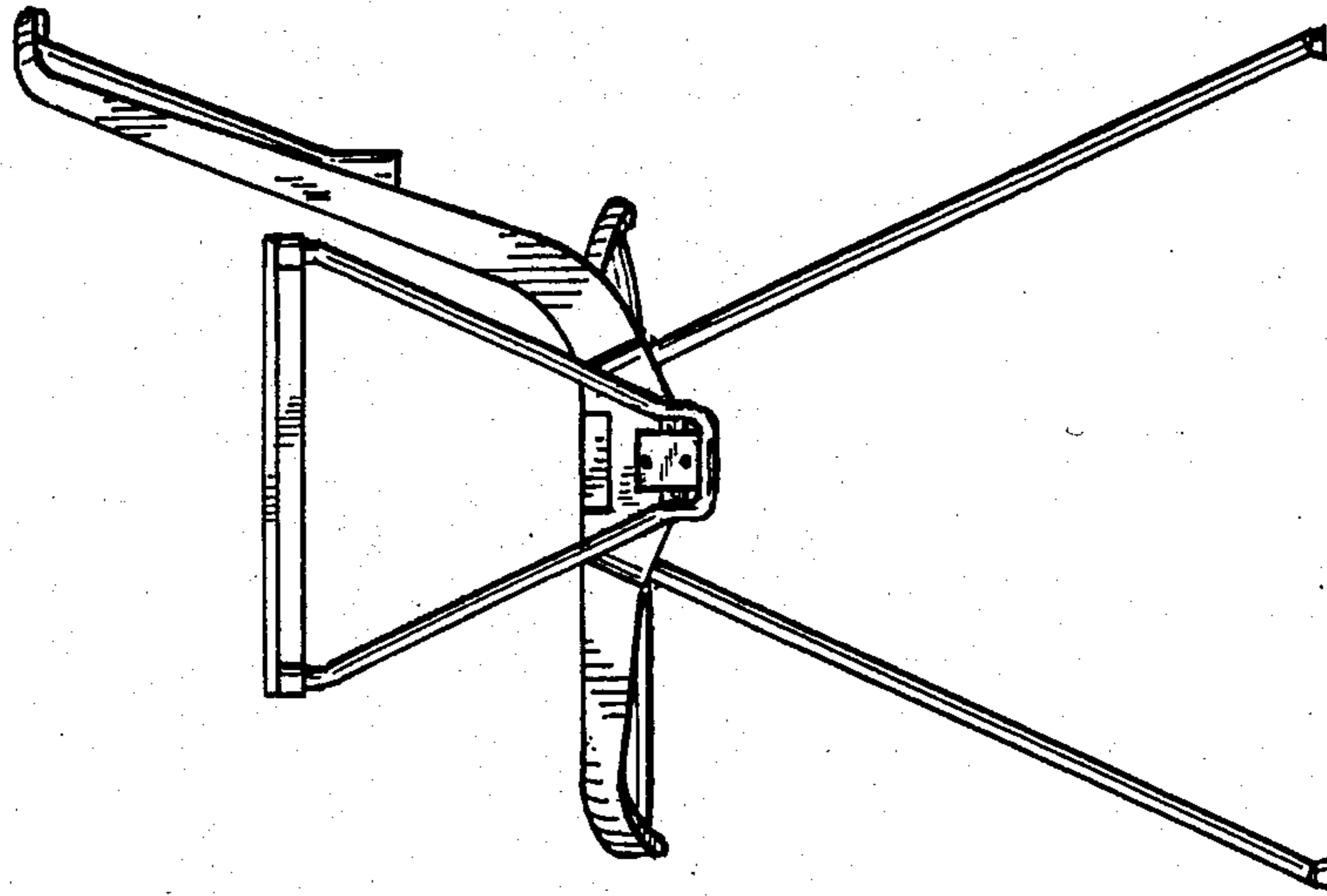


Fig. 4

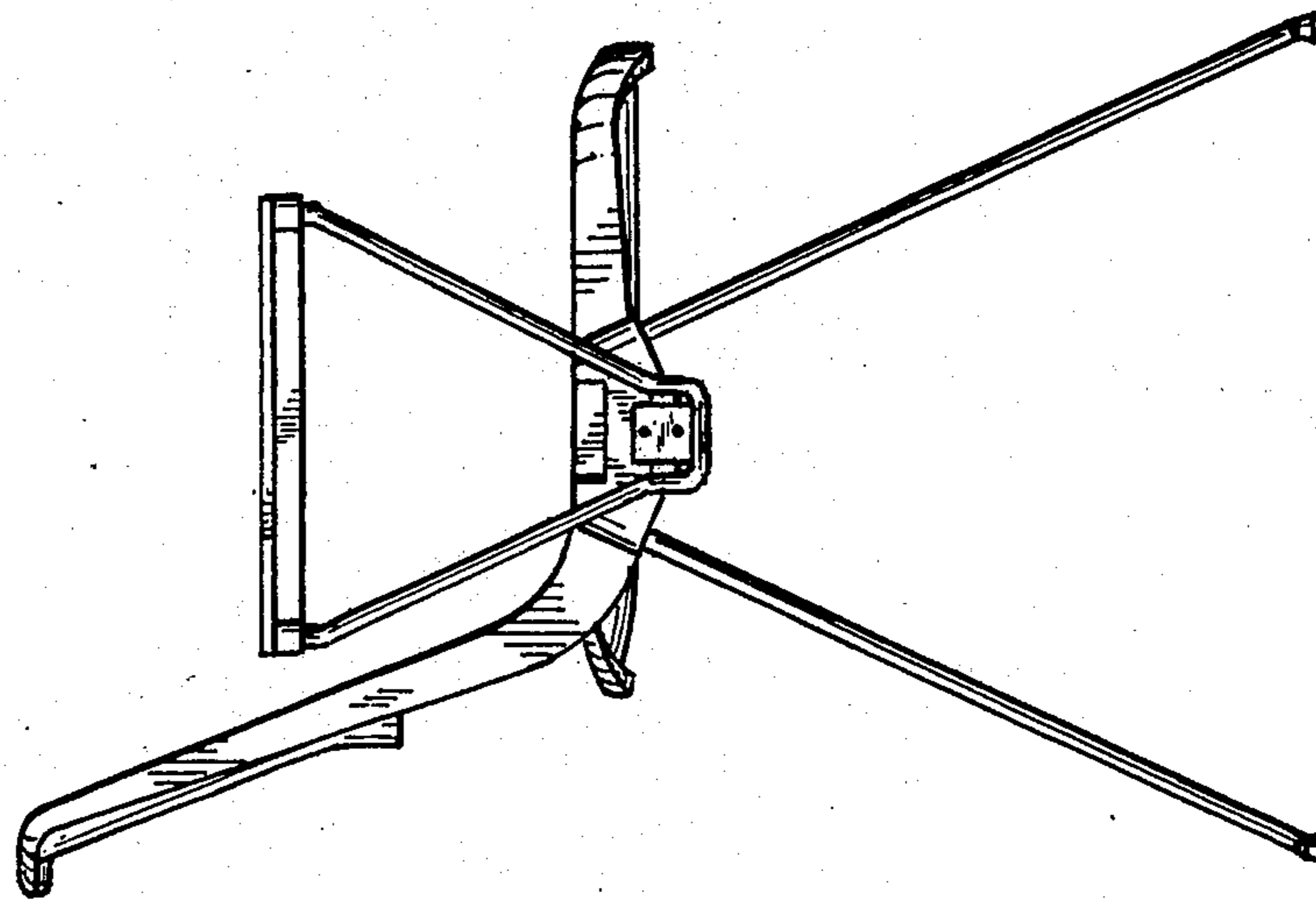


Fig. 3

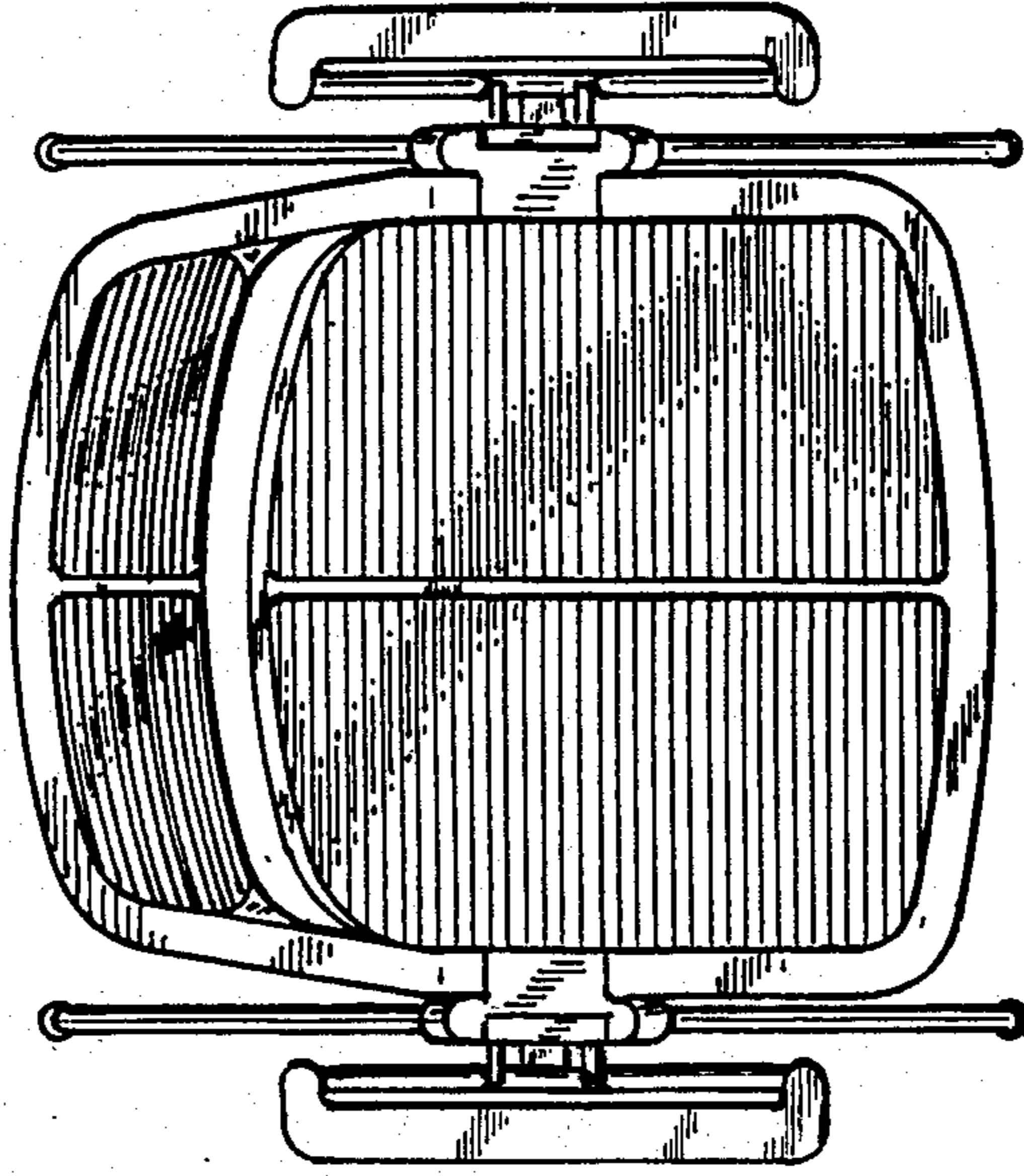


Fig. 6

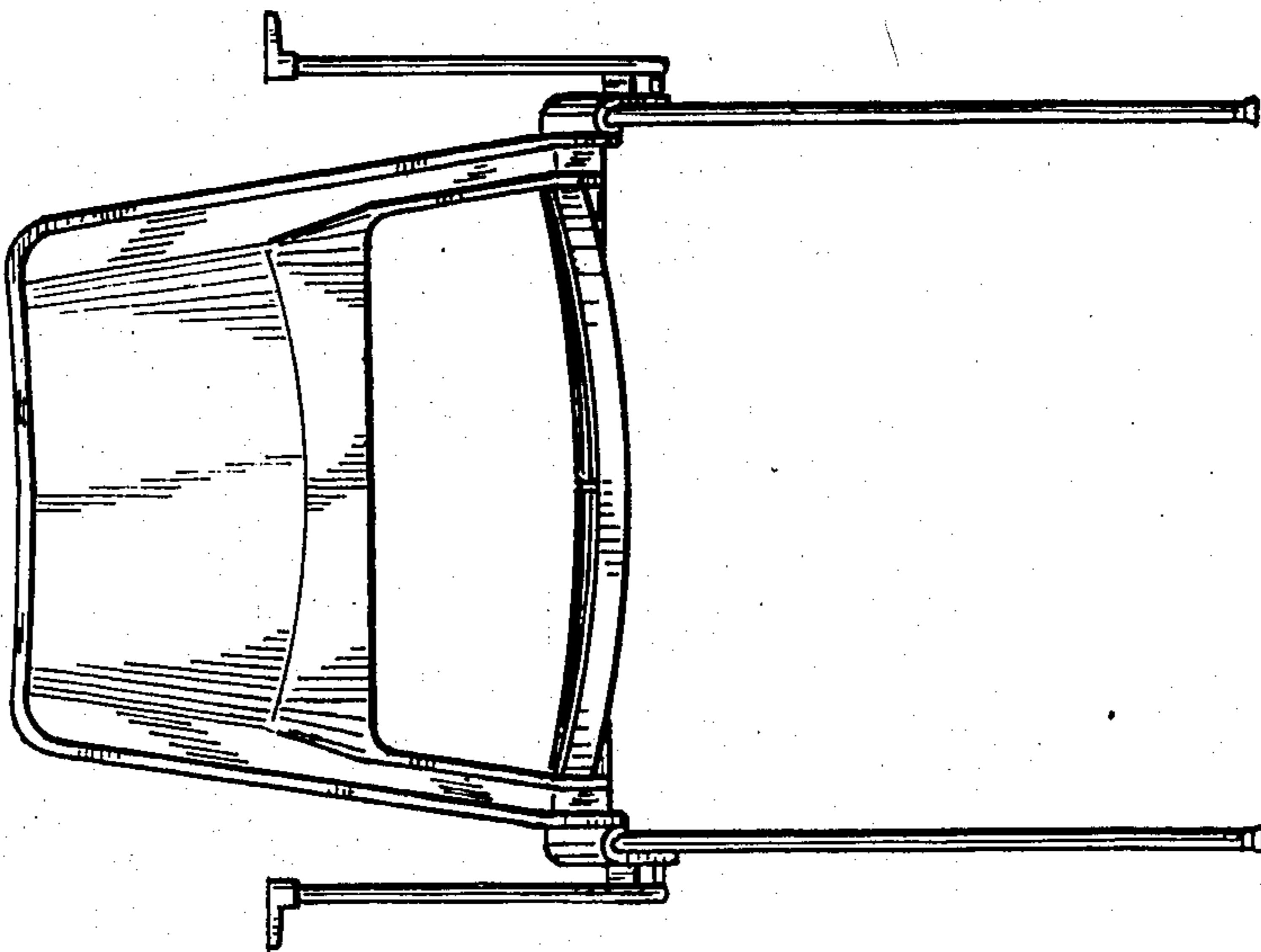


Fig. 5

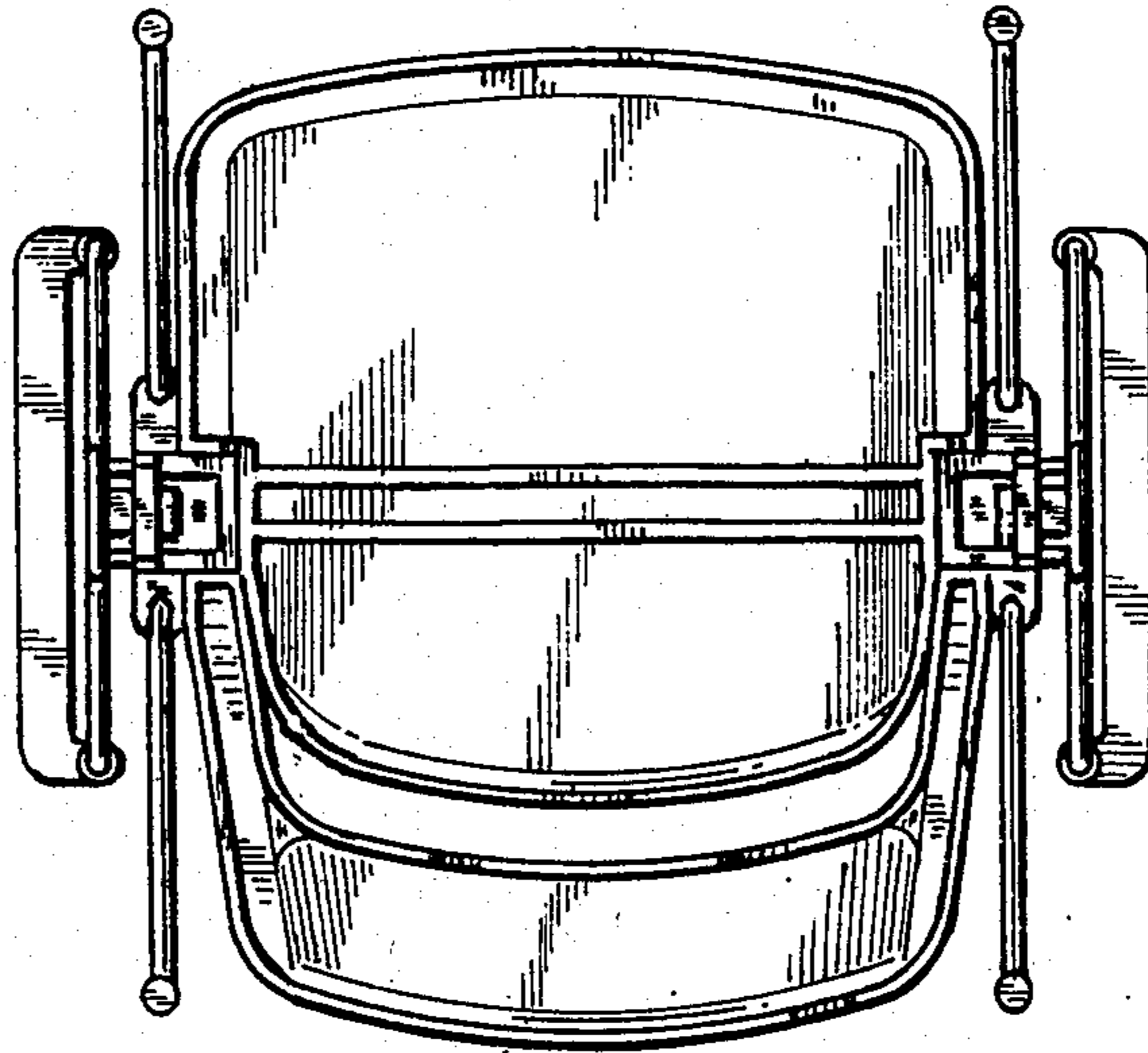


Fig.7