

[54] **COMBINED TOOTHPASTE DISPENSING TOOTHBRUSH AND CASE THEREFOR**

D. 281,653 12/1985 Barty D4/108
2,868,215 1/1959 Mechem D4/114 X

[76] **Inventor:** Larry K. Johnson, 12607 Lamppost La., Austin, Tex. 78727

Primary Examiner—Catherine E. Kemper
Attorney, Agent, or Firm—Terry M. Gernstein

[**] **Term:** 14 Years

[57] **CLAIM**

[21] **Appl. No.:** 833,743

The ornamental design for a combined toothpaste dispensing toothbrush and case therefor, as shown and described.

[22] **Filed:** Feb. 18, 1986

[52] **U.S. Cl.** D4/108

[58] **Field of Search** D4/104-113;
15/167 R, 184; 132/84; 401/137, 143, 170,
171-182, 268, 270, 277

DESCRIPTION

[56] **References Cited**

U.S. PATENT DOCUMENTS

D. 127,731 6/1941 Bergman D4/108
D. 133,542 8/1942 Kells D4/108
D. 159,569 8/1950 Yourek D4/104

FIG. 1 is a side elevational view of a combined toothpaste dispensing toothbrush, and case therefor showing my new design;

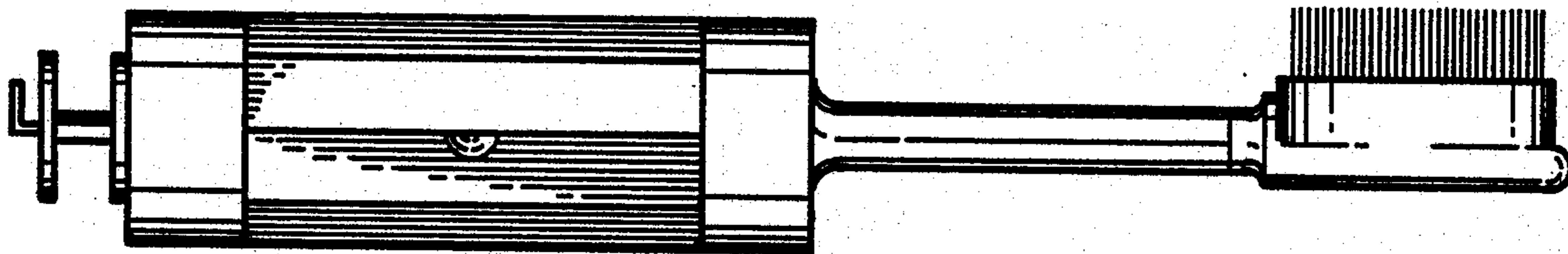
FIG. 2 is a top plan view thereof.

FIG. 3 is a bottom plan view thereof.

FIG. 4 is a cross-sectional view thereof, taken along line 4-4 of FIG. 3;

FIG. 5 is an exploded perspective view thereof;

FIG. 6 is a perspective view of the case.



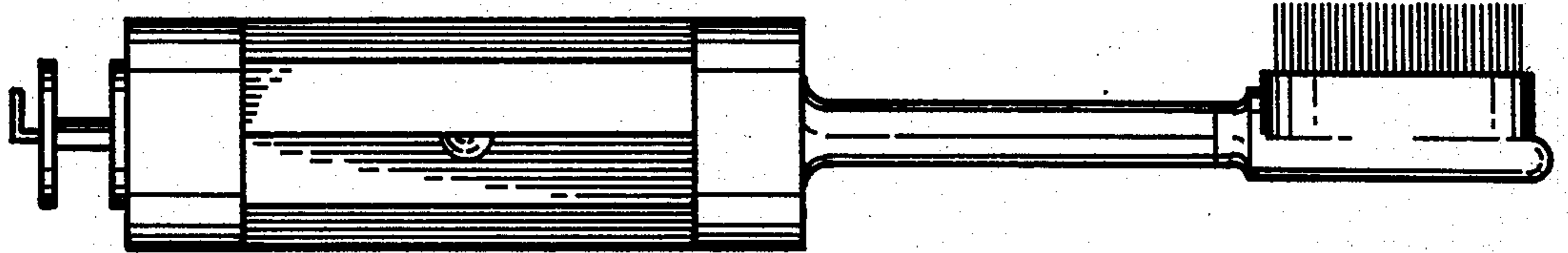


Fig. 1

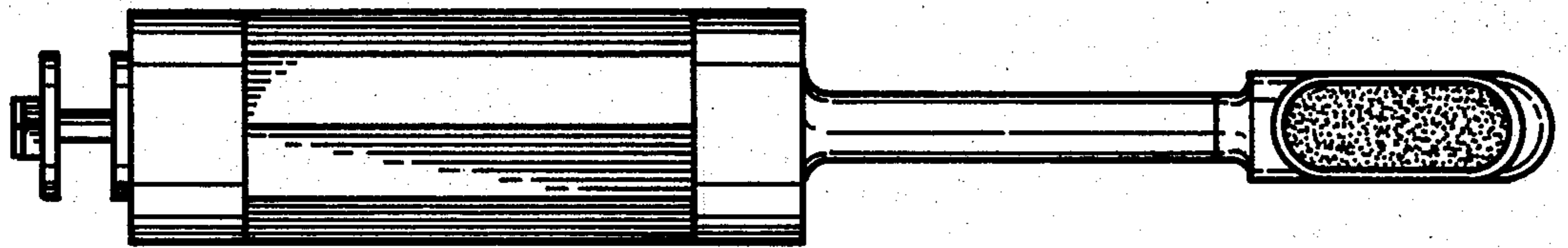


Fig. 2

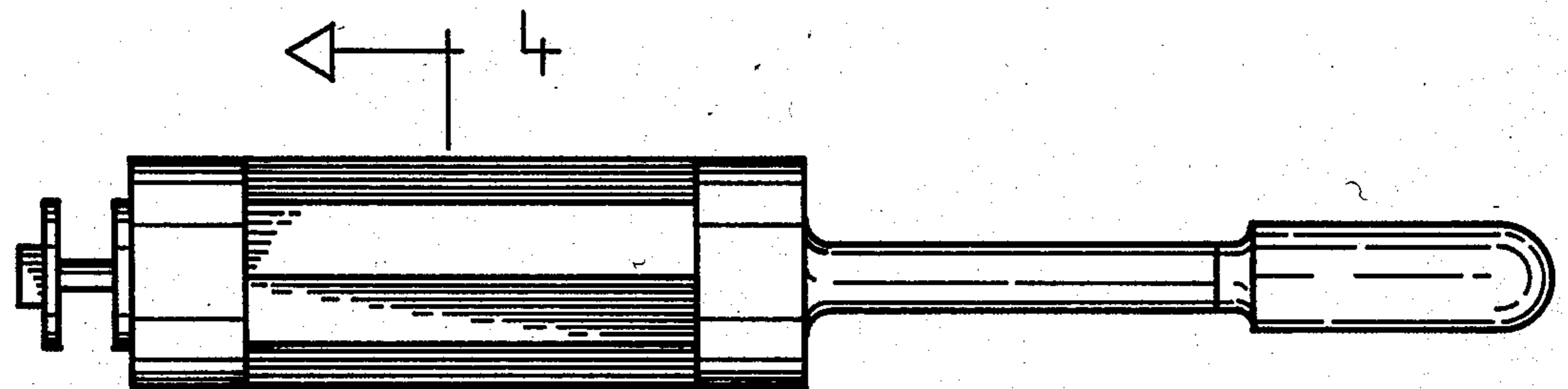


Fig. 3

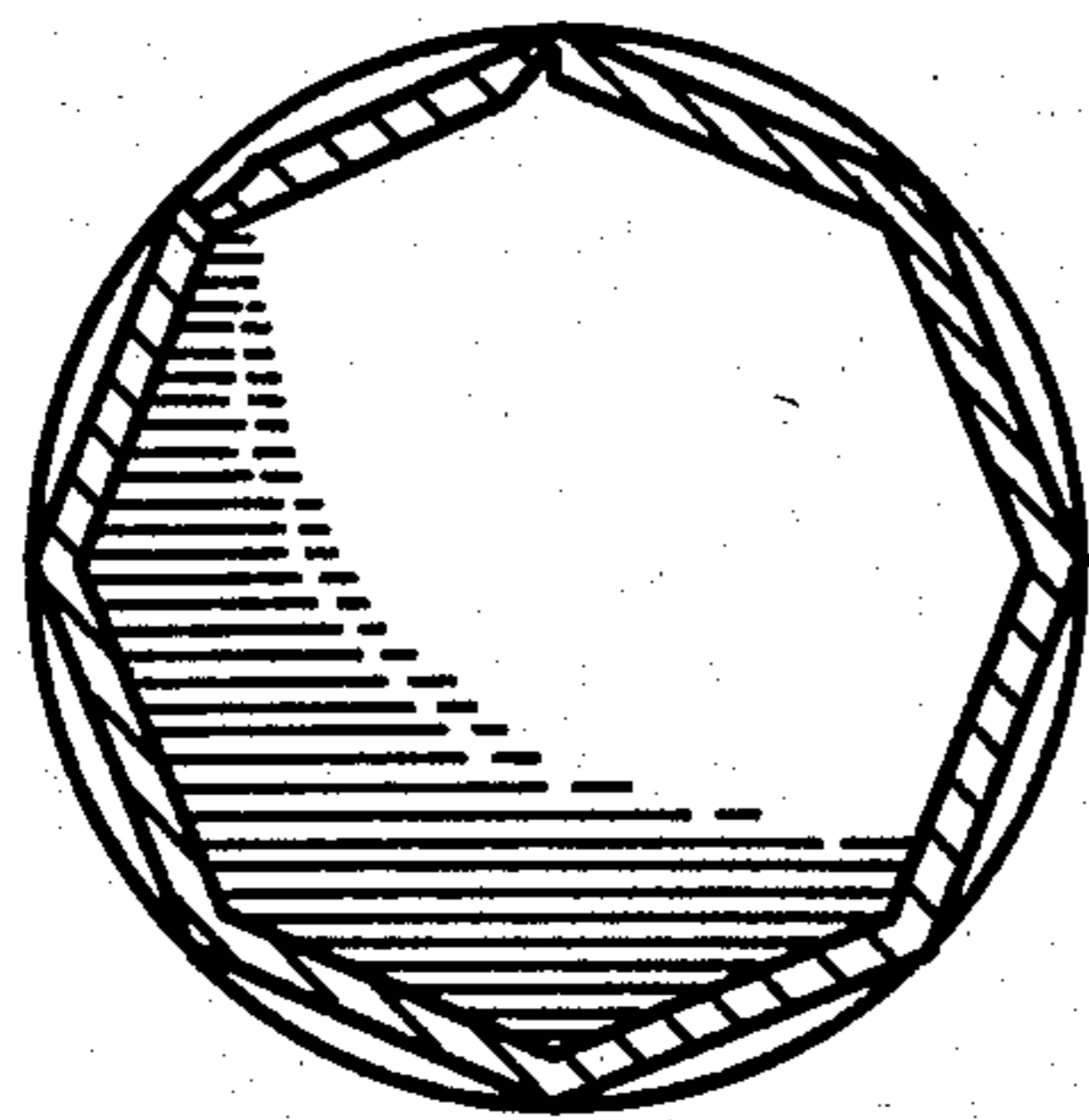


Fig. 4

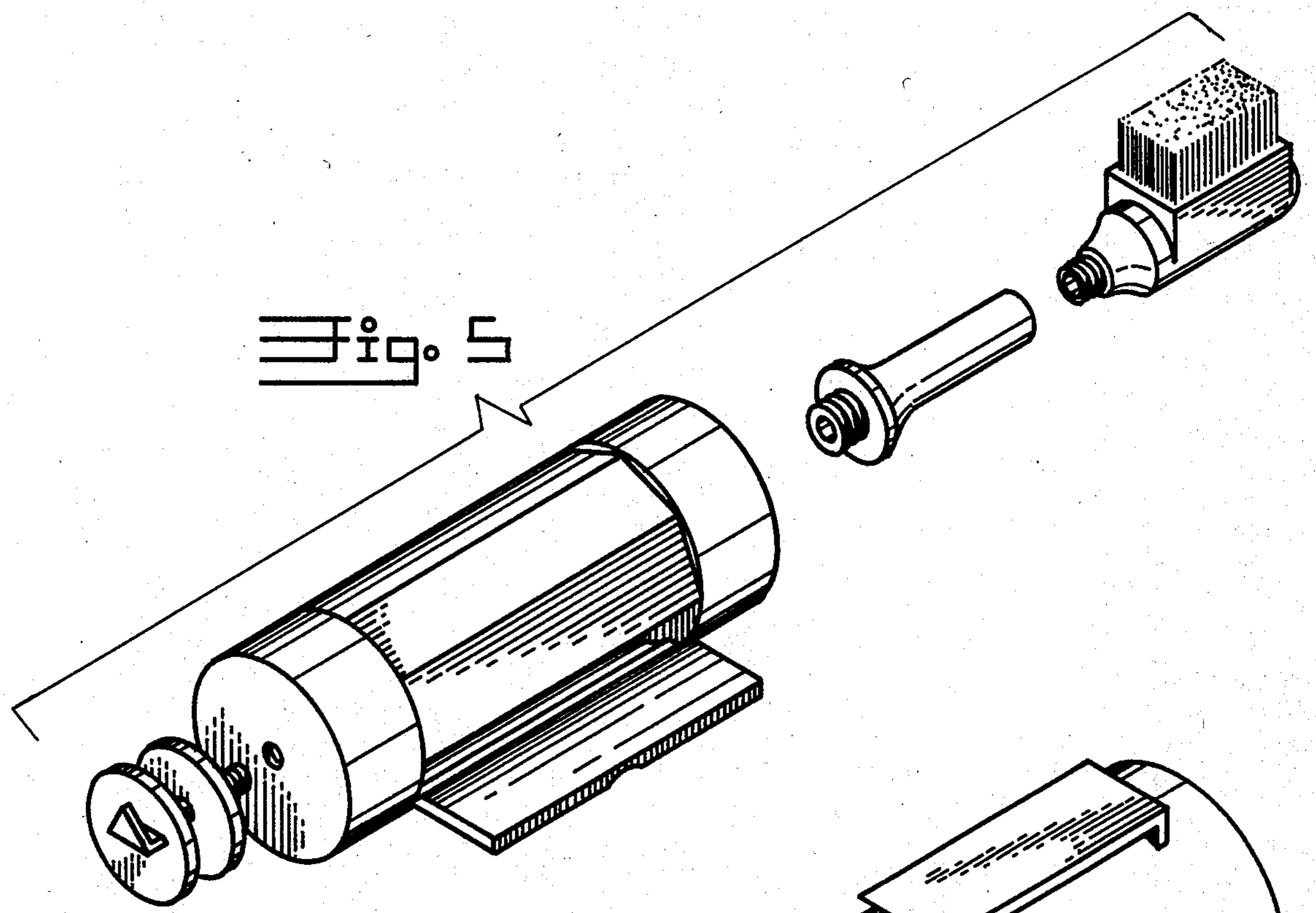


Fig. 5

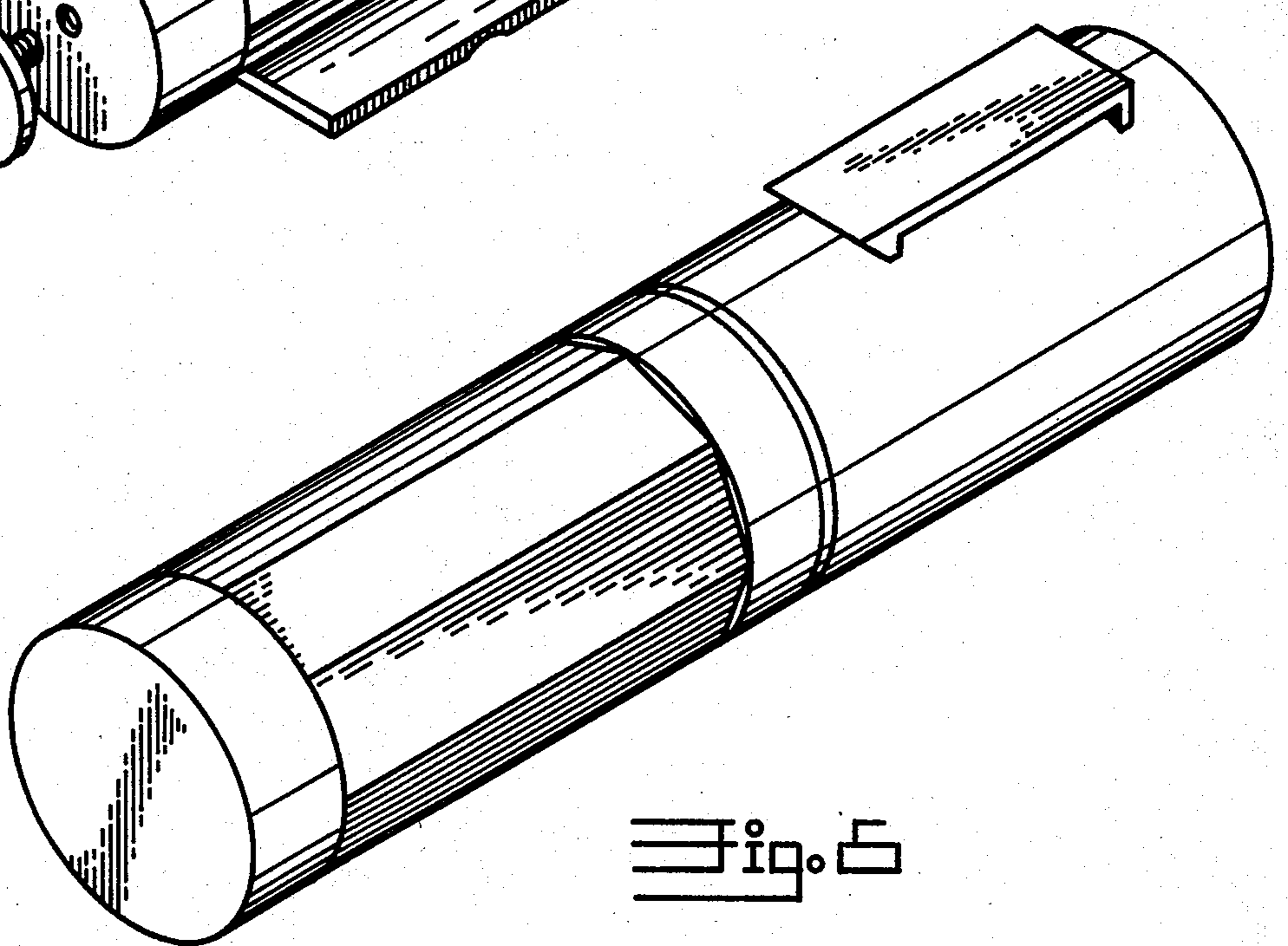


Fig. 6