

# United States Patent [19] Jain

[11] Patent Number: **Des. 298,486**

[45] Date of Patent: **\*\* Nov. 15, 1988**

[54] CASE

[75] Inventor: **Ravindra K. Jain, Eastlake, Ohio**

[73] Assignee: **Bud Industries, Inc., Willoughby, Ohio**

[\*\*] Term: **14 Years**

[21] Appl. No.: **871,579**

[22] Filed: **Jun. 5, 1986**

[52] U.S. Cl. .... **D3/76**

[58] Field of Search ..... **D3/30.1, 33, 35, 76, D3/77**

D. 282,509 2/1986 Nordstrom et al. .... D3/76  
2,454,366 11/1948 Worley .  
2,510,643 6/1950 Long .

## OTHER PUBLICATIONS

Luggage & Leather Goods, 2/70, p. 29.

*Primary Examiner*—Charles A. Rademaker  
*Attorney, Agent, or Firm*—Fay, Sharpe, Beall, Fagan,  
Minnich & McKee

## [57] CLAIM

The ornamental design for a case, as shown and described.

## DESCRIPTION

FIG. 1 is a front elevational view of a case showing my new design;

FIG. 2 is a side elevational view of one side thereof;

FIG. 3 is a side elevational view of the opposite side thereof;

FIG. 4 is a top plan view thereof;

FIG. 5 is a bottom plan view thereof; and

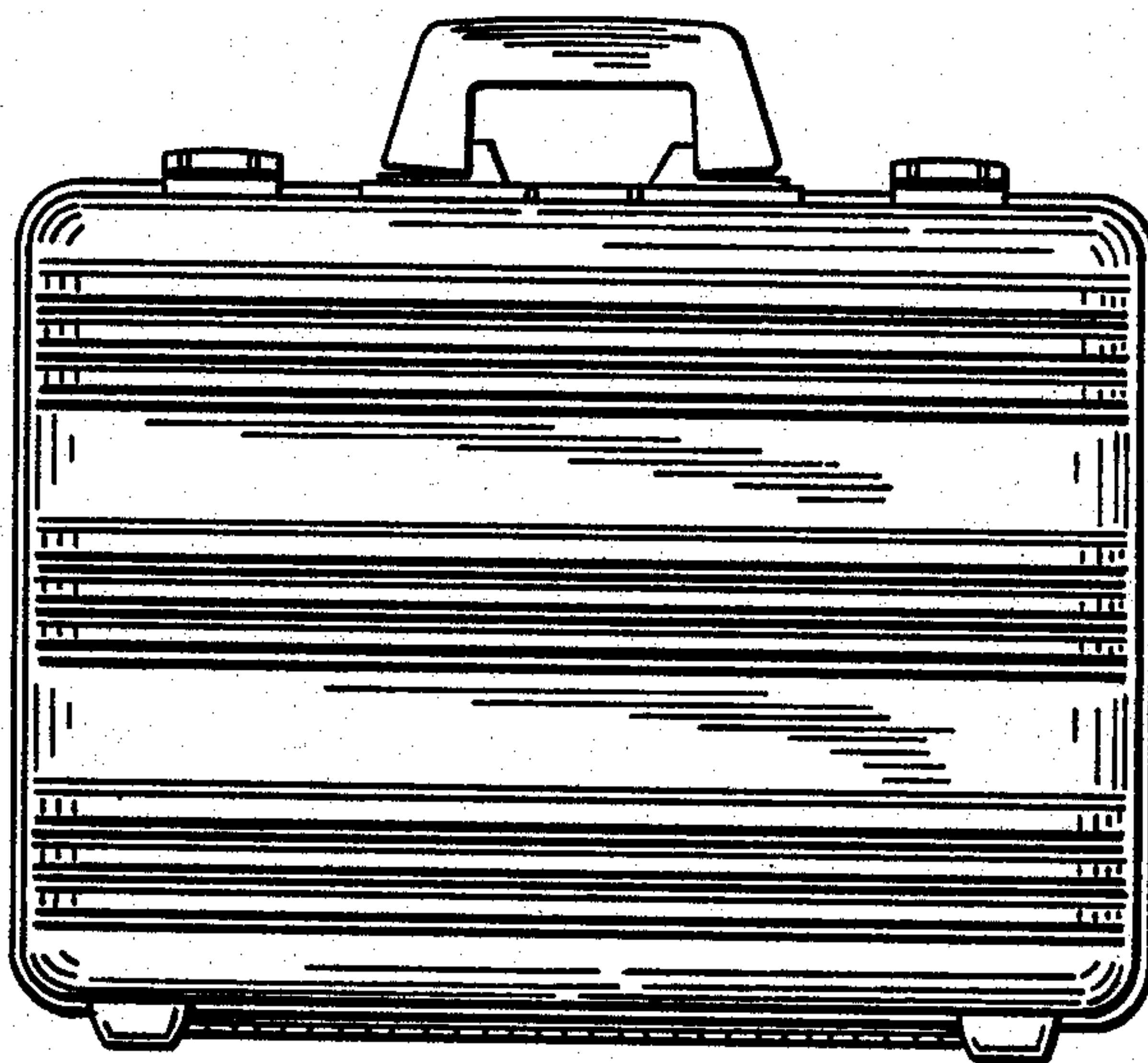
FIG. 6 is a rear elevational view thereof.

[56]

## References Cited

### U.S. PATENT DOCUMENTS

D. 154,623 9/1948 Nelson et al. .  
D. 194,898 3/1963 Wells .  
D. 196,163 8/1963 Platt ..... D3/76  
D. 225,383 12/1972 Elsele .  
D. 260,202 8/1981 Middleton ..... D3/72  
D. 278,000 3/1985 Nordstrom et al. .... D3/76



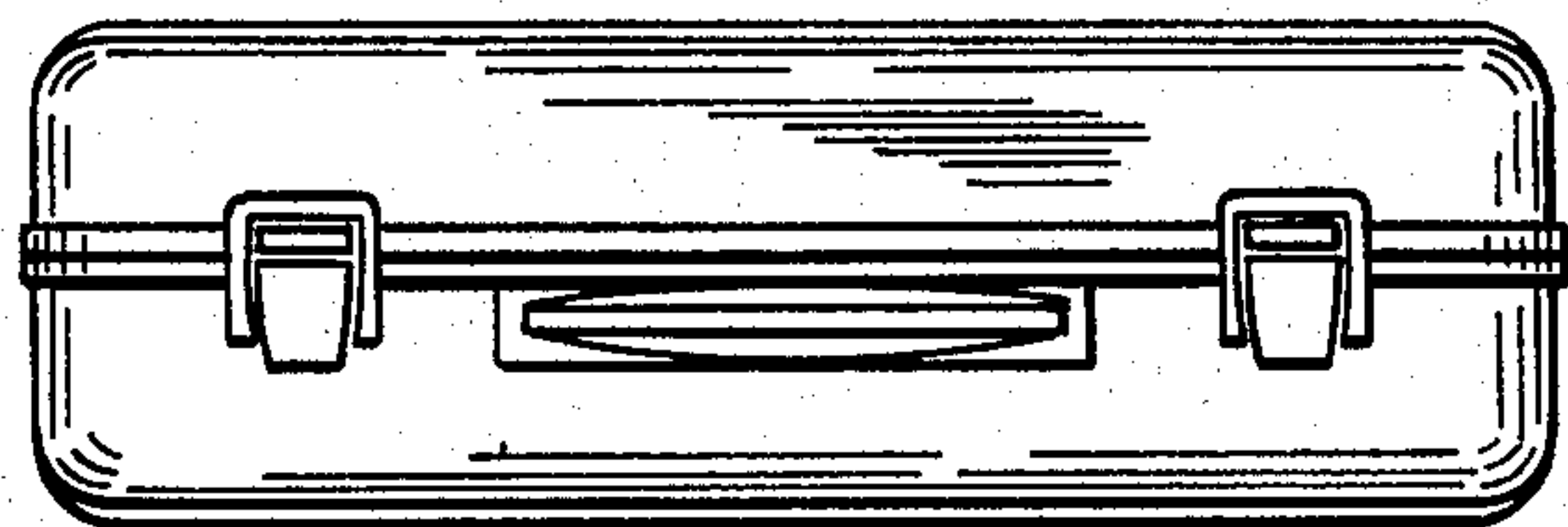


FIG. 4

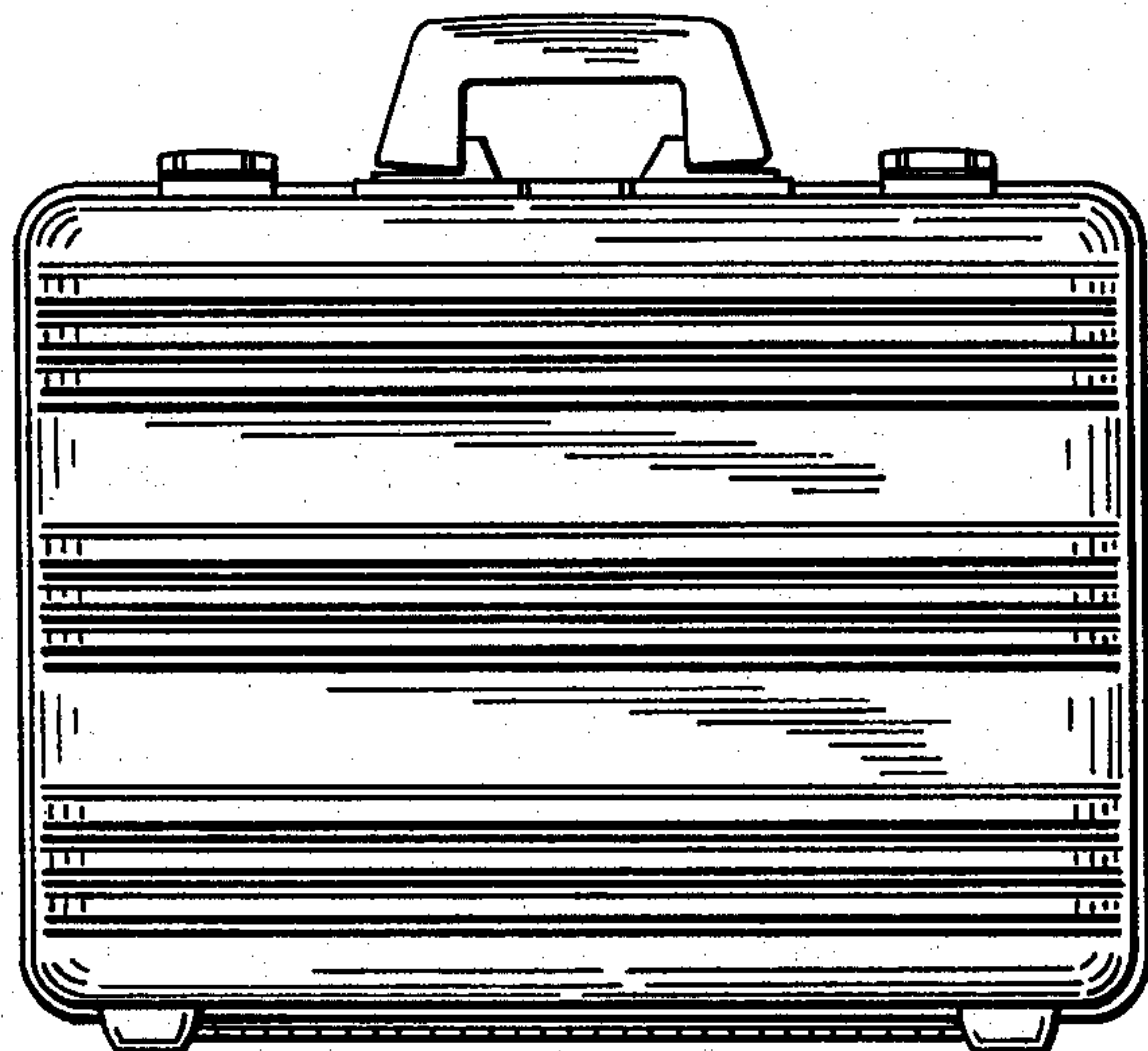


FIG. 1

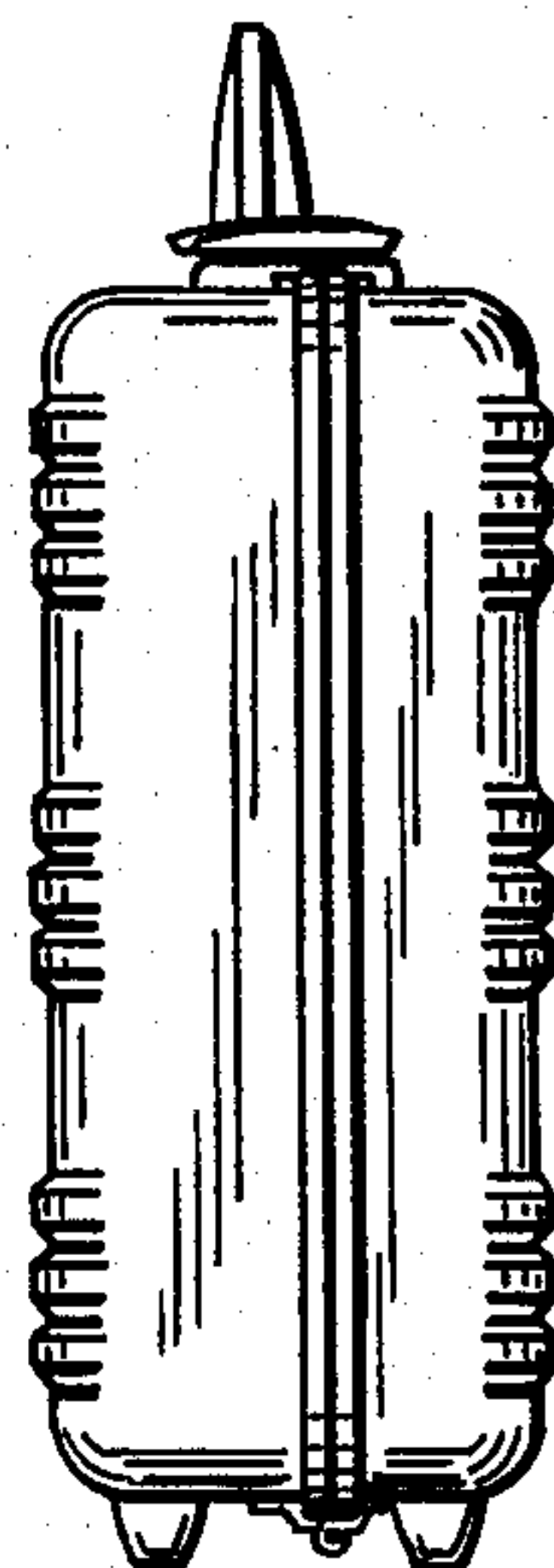


FIG. 2

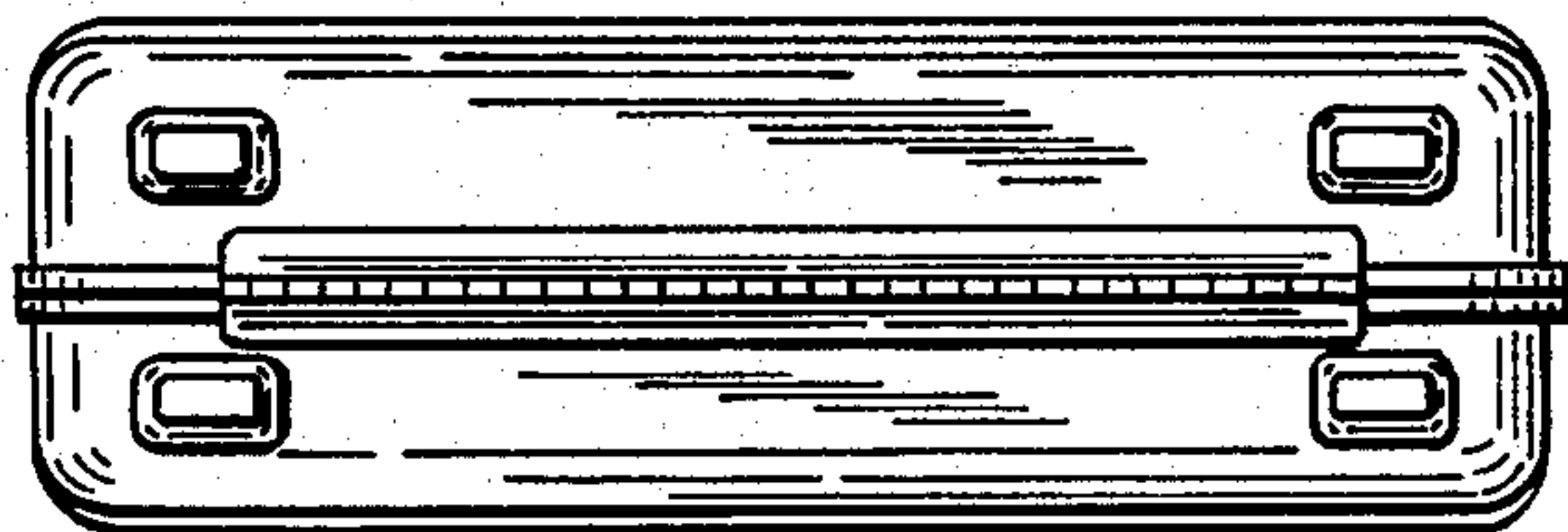


FIG. 5

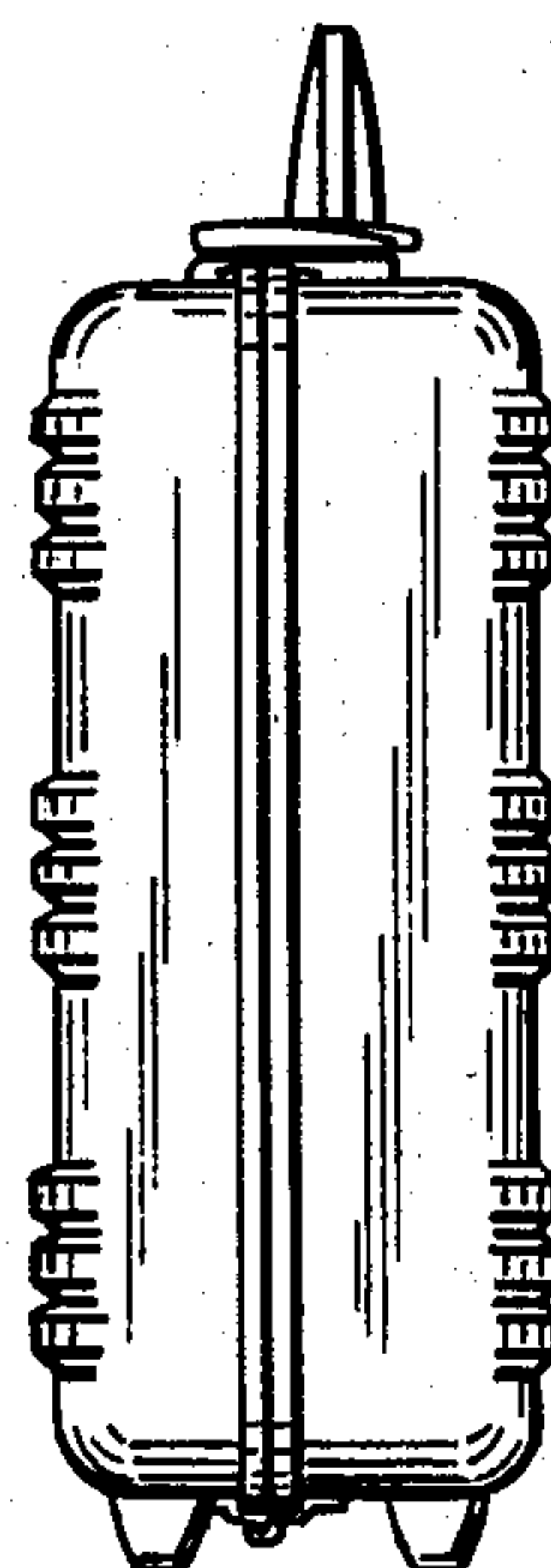


FIG. 3

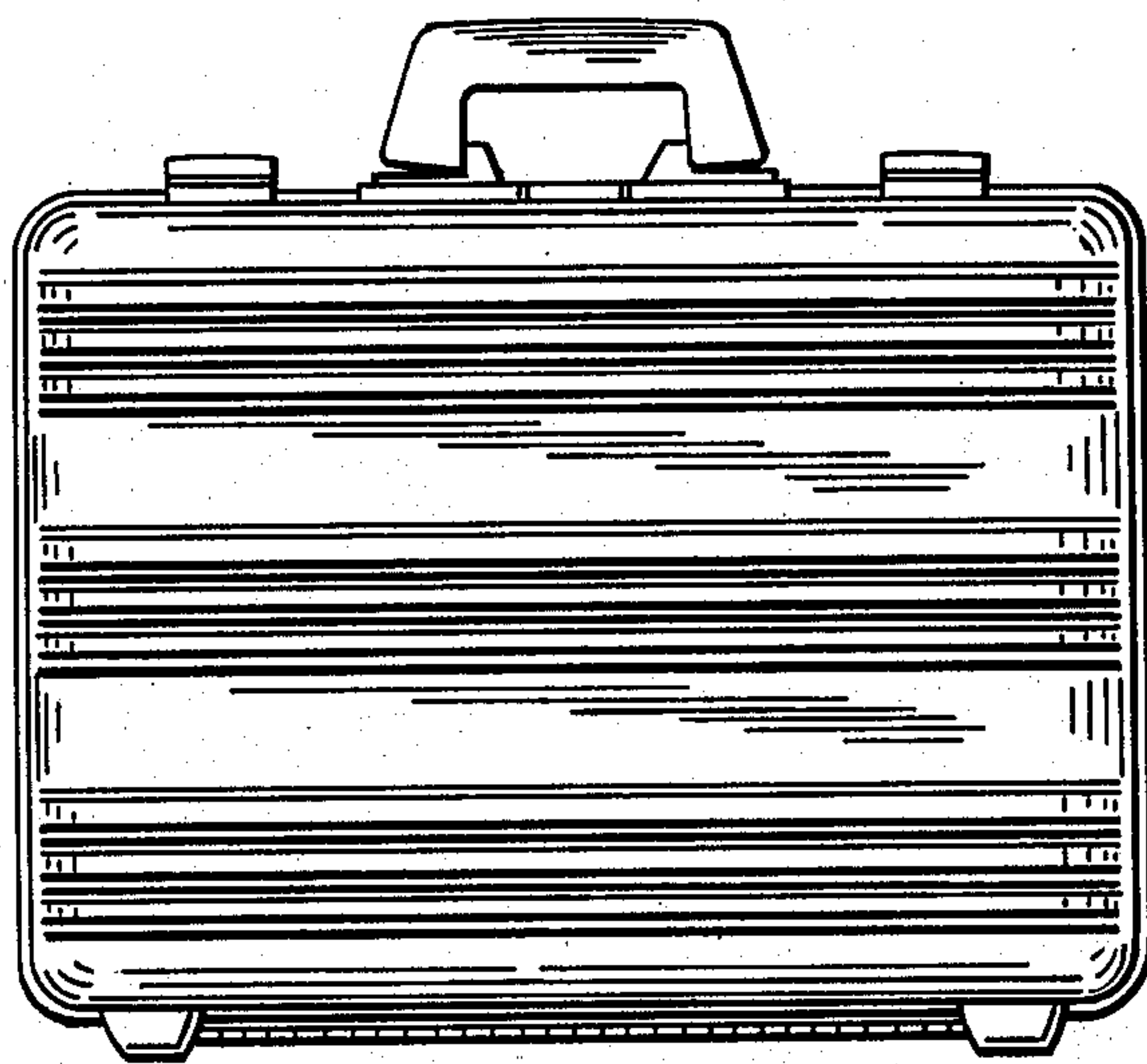


FIG. 6