

[54] **PORTABLE MACHINE FOR WET OR DRY VACUUM EXTRACTION**

[75] **Inventors: Paul G. Jacobs, Northridge; Bonifacio N. Avecilla, Alhambra; Norman Lapworth, Los Angeles, all of Calif.**

[73] **Assignee: EDIC, Los Angeles, Calif.**

[\*\*] **Term: 14 Years**

[21] **Appl. No.: 821,544**

[22] **Filed: Jan. 21, 1986**

[52] **U.S. Cl. .... D32/16**

[58] **Field of Search .... D32/21, 23-25, D32/15-16, 30-34; 15/320, 321, 323, 327 R, 327 F, 327 D, 347, 353**

[56] **References Cited**

**U.S. PATENT DOCUMENTS**

2,557,216	6/1951	Calabrese .....	15/52
3,774,261	11/1973	Colt .....	15/321
3,848,291	11/1974	Morse .....	15/322
4,014,067	3/1977	Bates .....	15/320
4,136,420	1/1979	Cyphert et al. ....	15/321
4,153,968	5/1979	Perkins .....	15/321
4,159,554	7/1979	Knight et al. ....	15/321
4,167,799	9/1979	Webb .....	15/320
4,196,492	4/1980	Johnson et al. ....	15/320
4,272,861	6/1981	Notta et al. ....	15/320

4,349,935	9/1982	Knestele .....	15/320
4,353,145	10/1982	Woodford .....	15/321
4,356,590	11/1982	Goldsmith .....	15/321
4,372,700	2/1983	Moffitt, Jr. ....	401/157
4,385,413	5/1983	Goldsmith .....	15/322
4,391,018	7/1983	Vermillion et al. ....	15/339
4,397,057	8/1983	Harbeck .....	15/321
4,437,199	3/1984	Wolf et al. ....	15/49 R
4,443,909	4/1984	Cameron .....	15/320
4,458,377	7/1984	Frobhieter .....	15/320
4,463,474	8/1984	Jacobs .....	15/353
4,595,420	6/1986	Williams, III et al. ....	15/320
4,598,440	7/1986	Wilson .....	15/385

*Primary Examiner*—Wallace R. Burke

*Assistant Examiner*—Ruth Takemoto

*Attorney, Agent, or Firm*—Kelly, Bauersfeld & Lowry

[57] **CLAIM**

The ornamental design for a portable machine for wet or dry vacuum extraction, substantially as shown.

**DESCRIPTION**

FIG. 1 is a front elevational view of a portable machine for wet or dry vacuum extraction showing our new design;

FIG. 2 is a right side elevational view thereof;

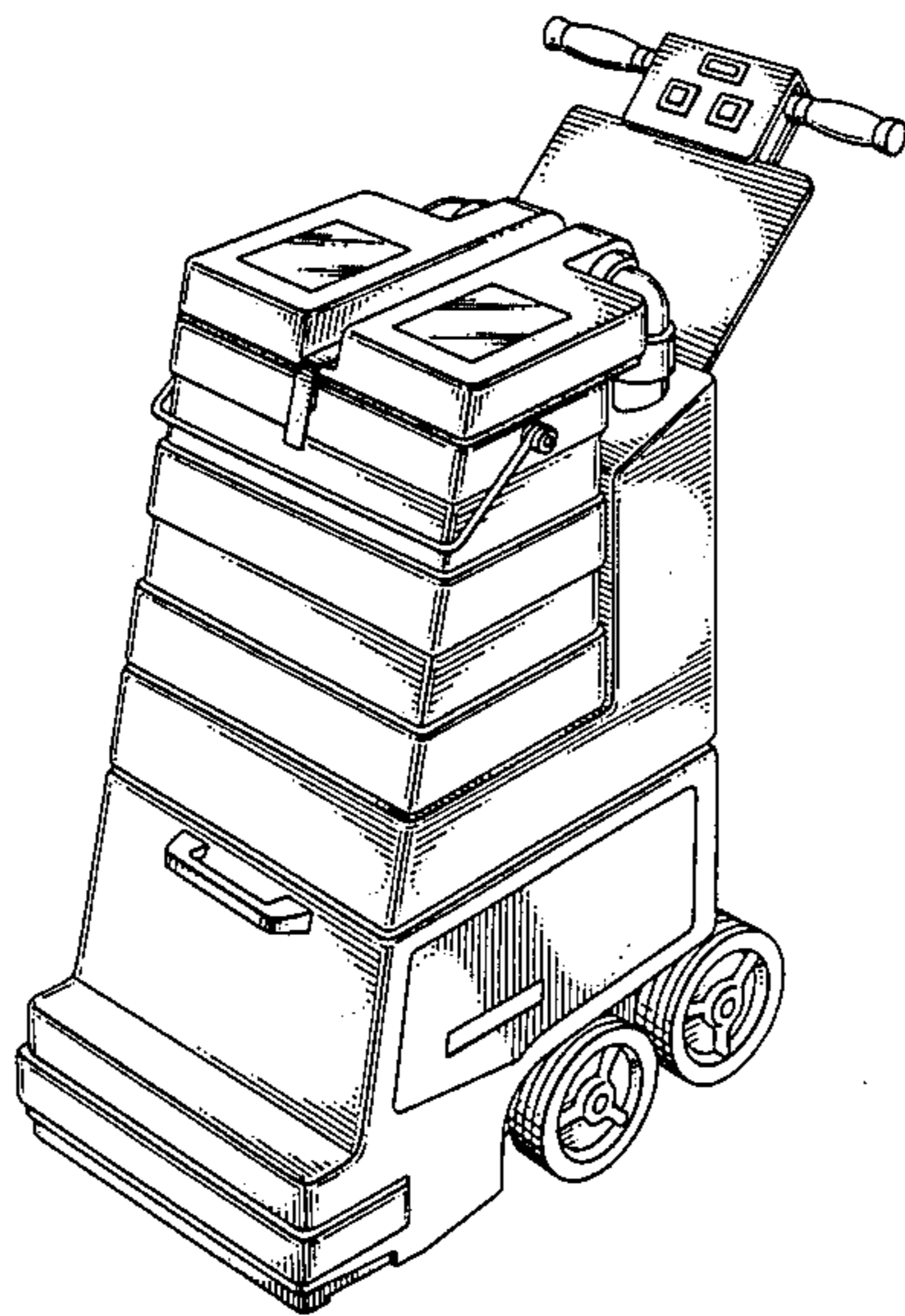
FIG. 3 is a rear elevational view thereof;

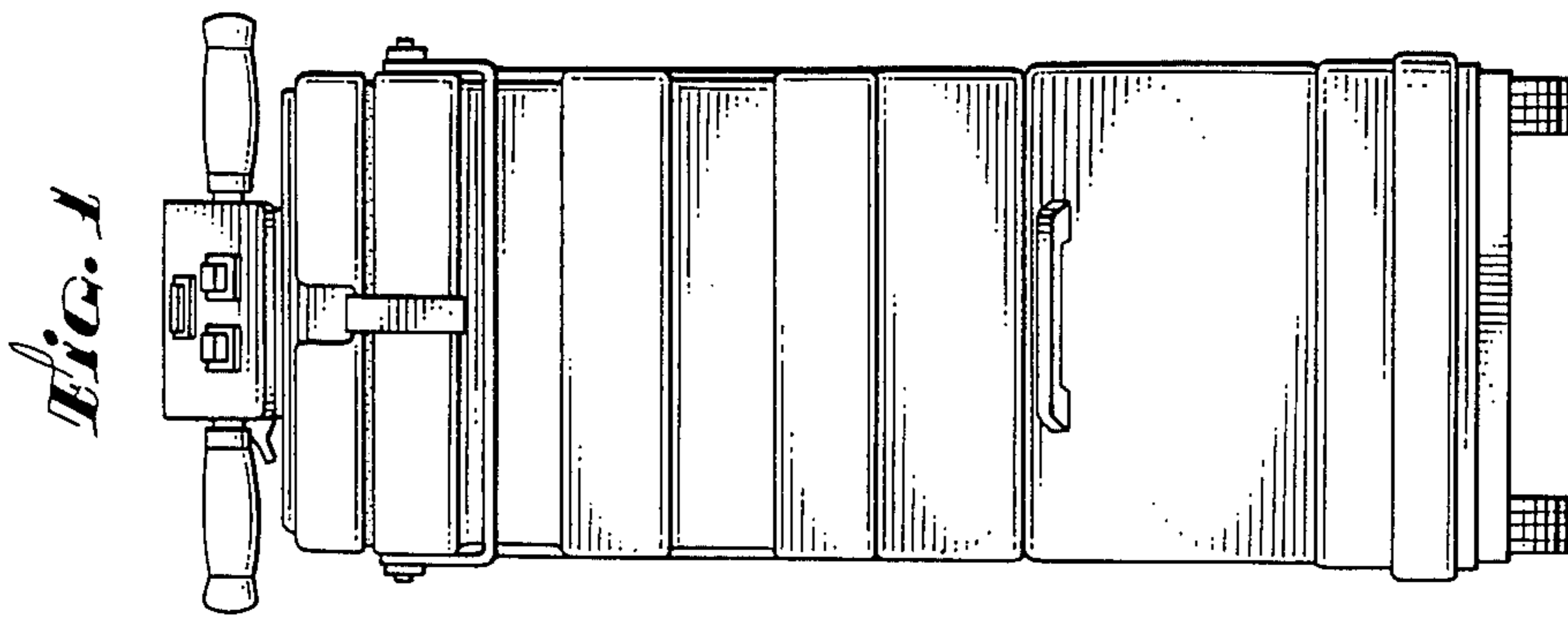
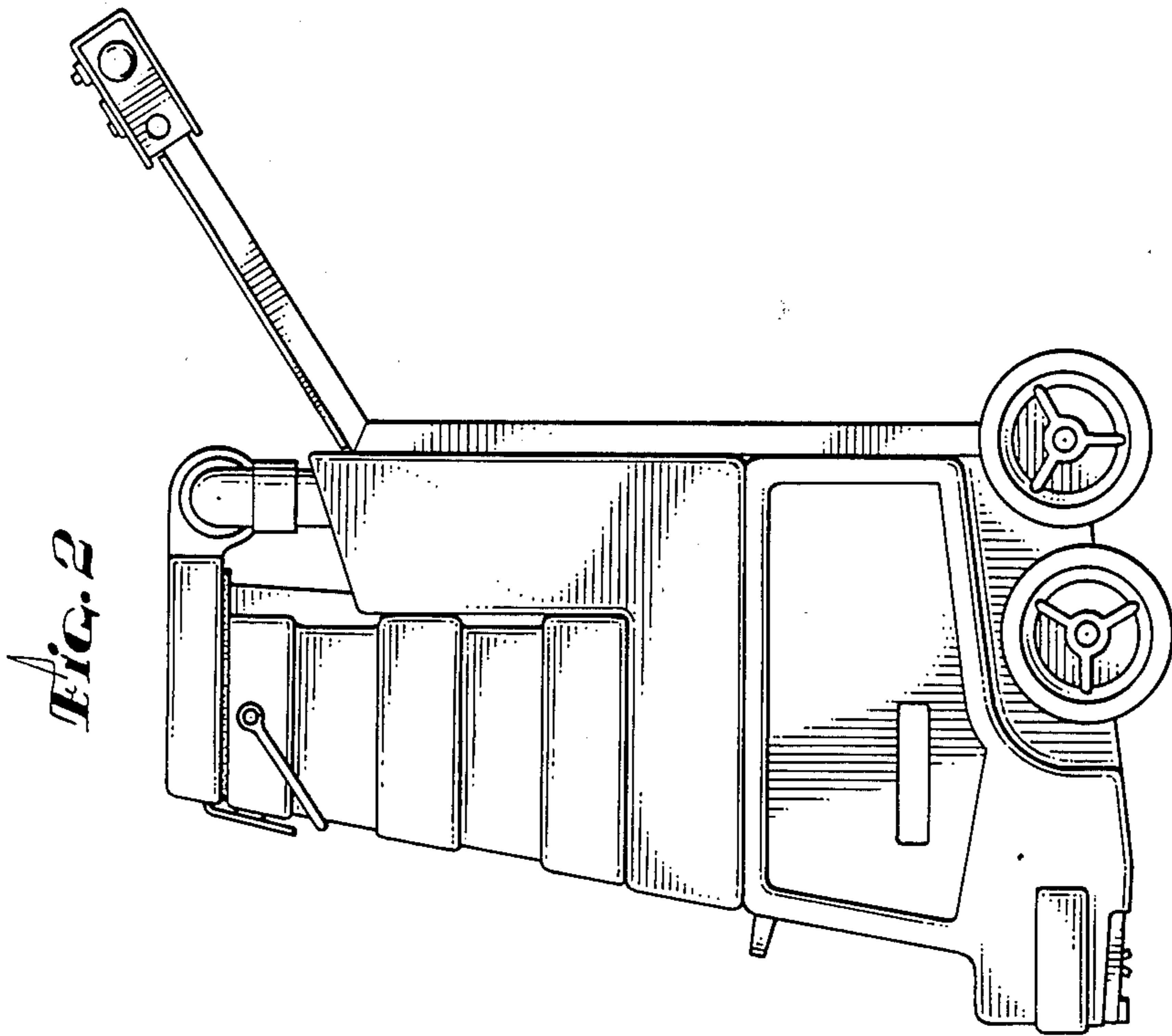
FIG. 4 is a left side elevational view thereof;

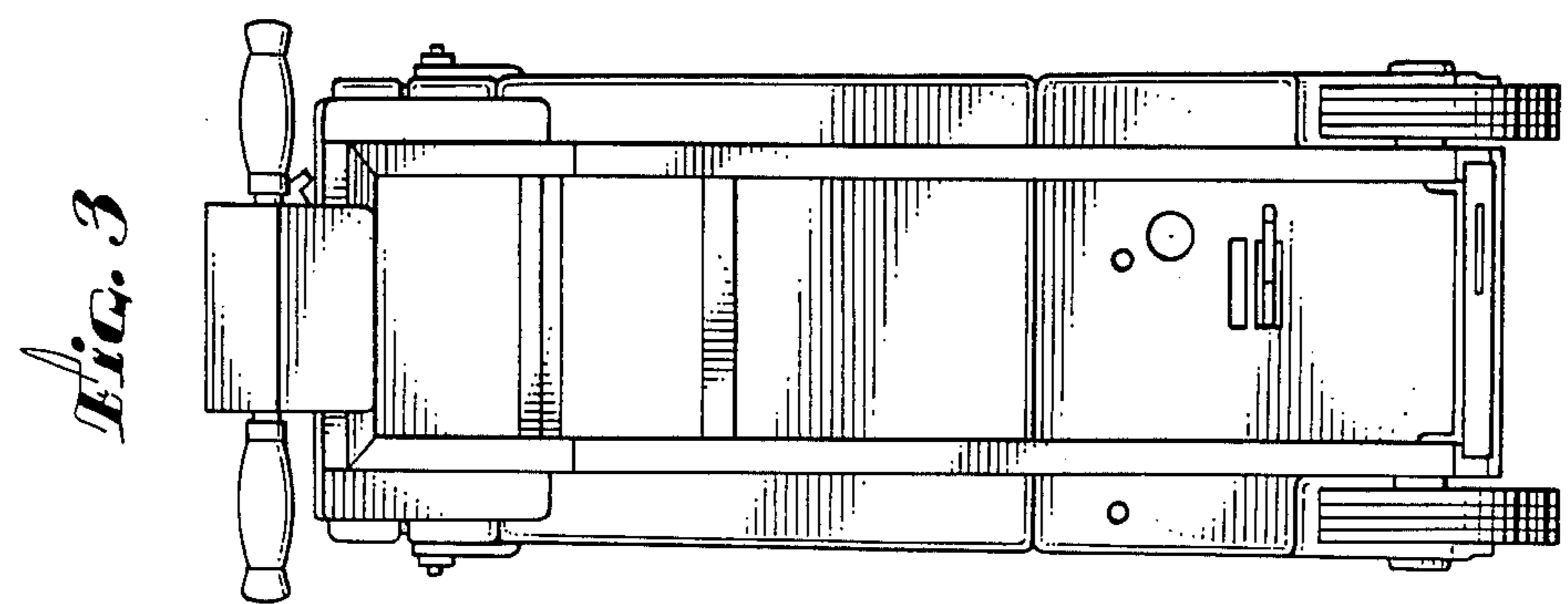
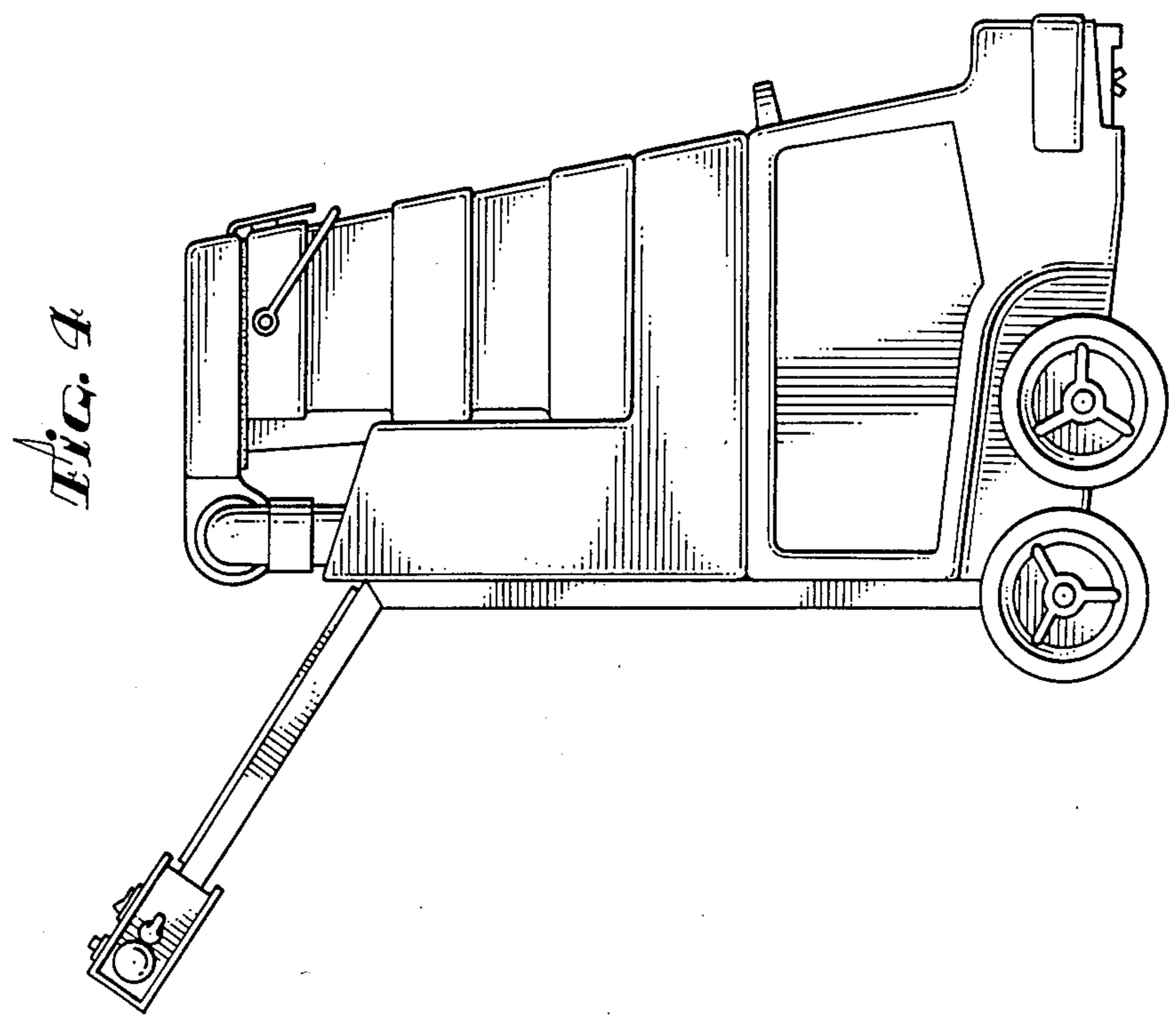
FIG. 5 is a top plan view thereof;

FIG. 6 is a bottom plan view thereof; and

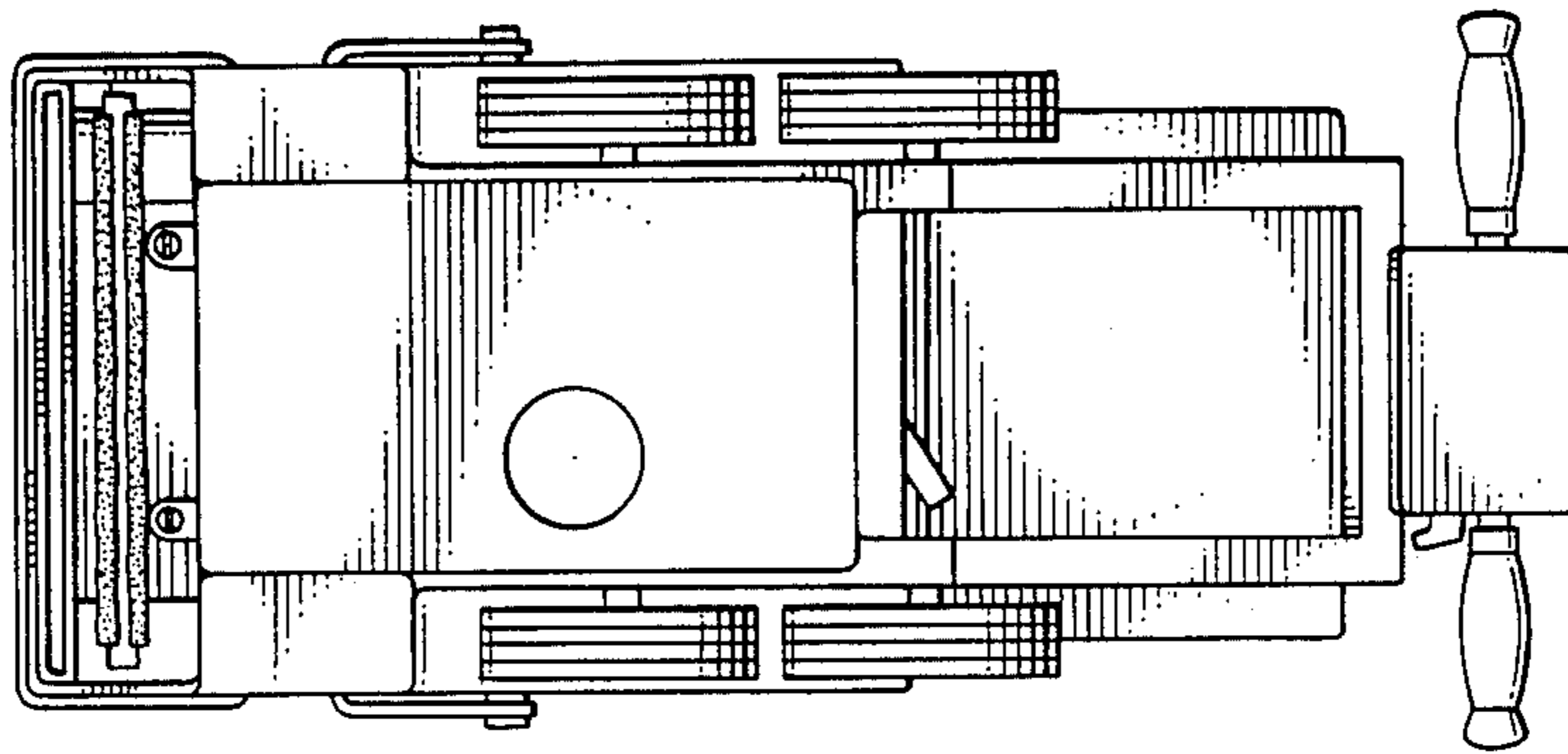
FIG. 7 is a top, front and right side view thereof.



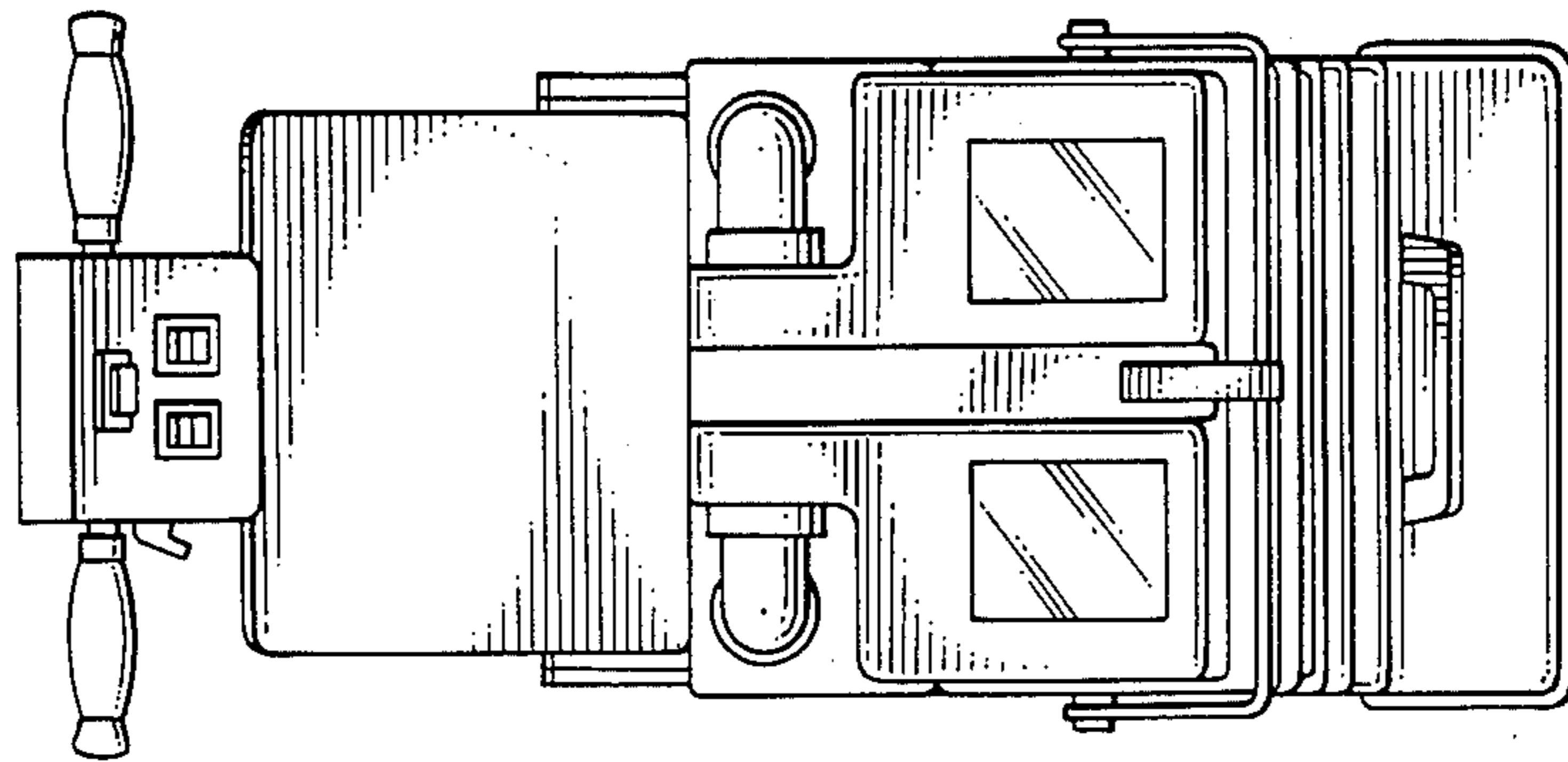




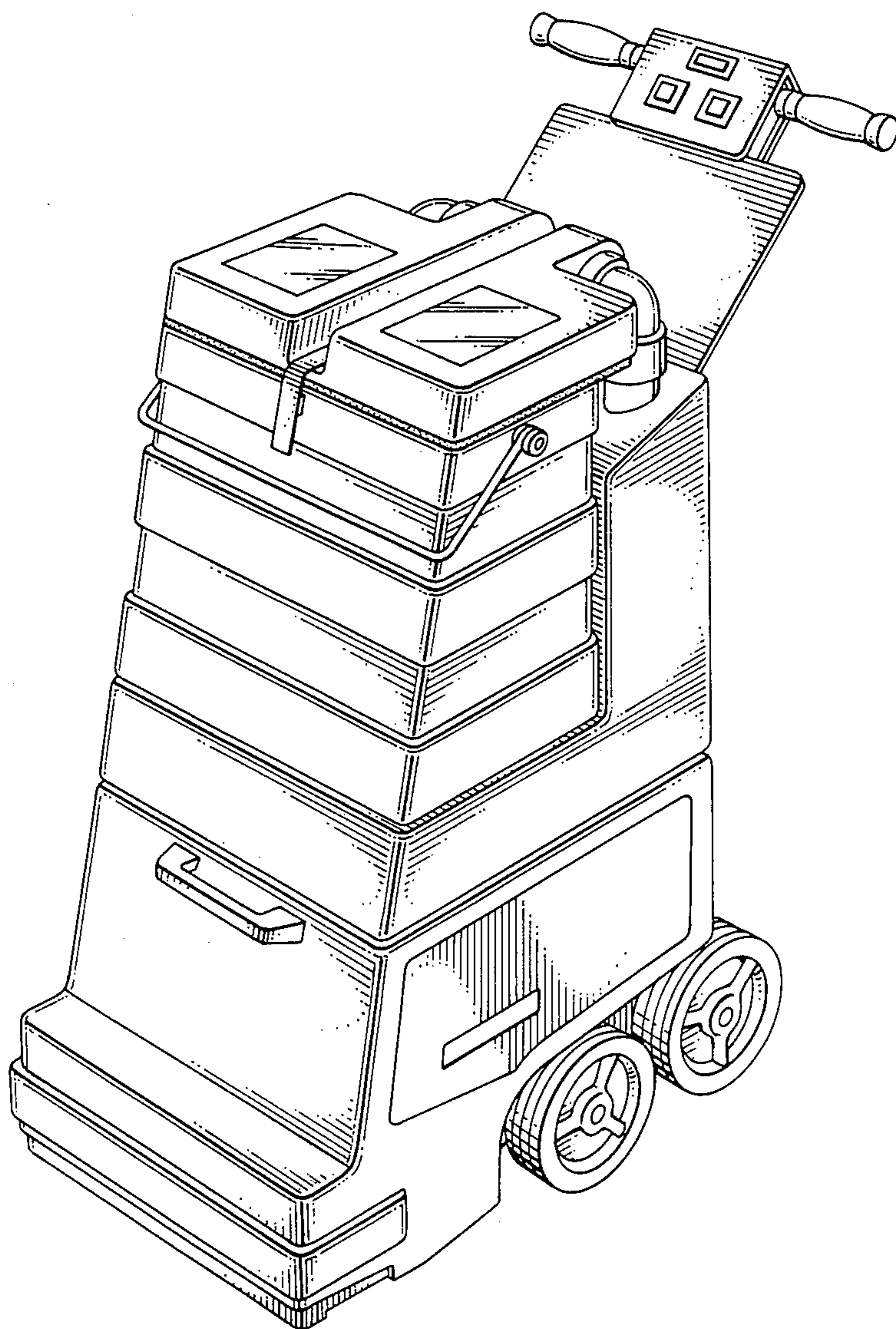
*FIG. 6*



*FIG. 5*



*FIG. 7*



UNITED STATES PATENT AND TRADEMARK OFFICE  
**CERTIFICATE OF CORRECTION**

PATENT NO. : Des. 298,479  
DATED : November 8, 1988  
INVENTOR(S) : Jacobs et al.

It is certified that error appears in the above-identified patent and that said Letters Patent is hereby corrected as shown below:

In the Description, FIG. 7, add the word "perspective" between the words "side" and "view."

**Signed and Sealed this  
Twenty-eighth Day of March, 1989**

*Attest:*

*Attesting Officer*

DONALD J. QUIGG

*Commissioner of Patents and Trademarks*