

[54] **VISOR FRAME FOR A PROTECTIVE HELMET**

[76] **Inventor: Bo G. Lönnstedt, Kvarnbergsvägen 23, S-141 45 Huddinge, Sweden**

[\*\*] **Term: 14 Years**

[21] **Appl. No.: 835,308**

[22] **Filed: Feb. 21, 1986**

[30] **Foreign Application Priority Data**

Dec. 19, 1984 [SE] Sweden ..... 84-3400

[52] **U.S. Cl. .... D29/16**

[58] **Field of Search ..... D29/10, 14, 16, 12; 2/410, 424, 422, 9, 10**

[56] **References Cited**

**U.S. PATENT DOCUMENTS**

D. 250,496 12/1978 Odell et al. .... D29/16  
D. 276,380 11/1984 Hellberg ..... D29/14  
D. 287,300 12/1986 Lönnstedt ..... D29/16

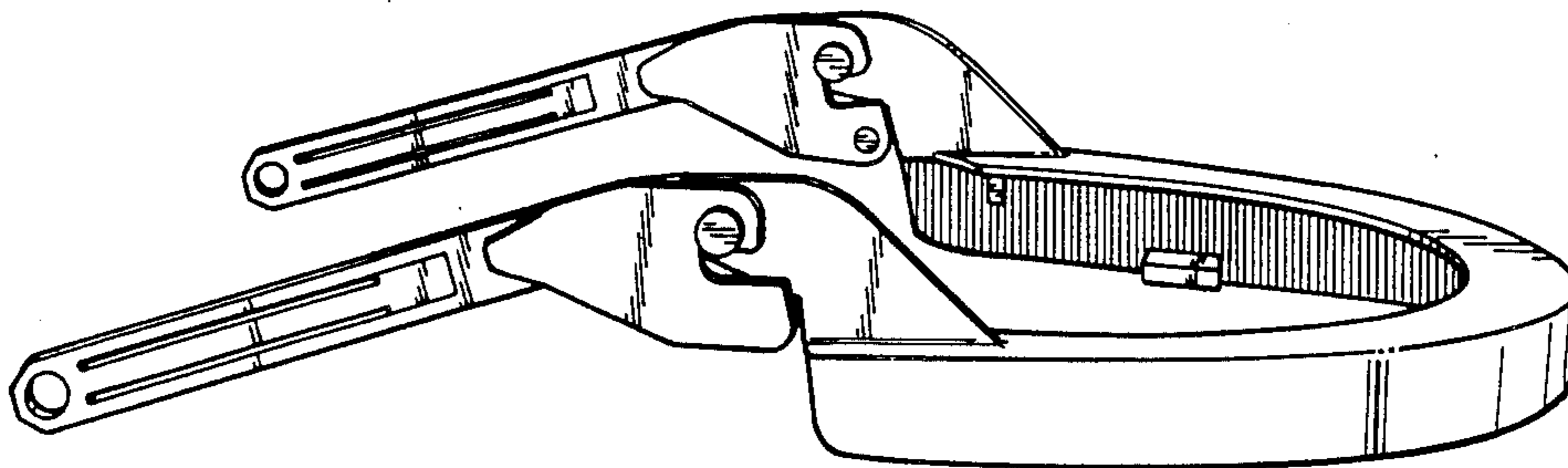
*Primary Examiner—Carmen H. Vales*  
*Attorney, Agent, or Firm—Young & Thompson*

[57] **CLAIM**

The ornamental design for a visor frame for a protective helmet, as shown and described.

**DESCRIPTION**

FIG. 1 is a top perspective view of a visor frame for a protective helmet showing my new design; FIG. 2 is a bottom perspective view thereof; and FIG. 3 is a top plan view thereof.



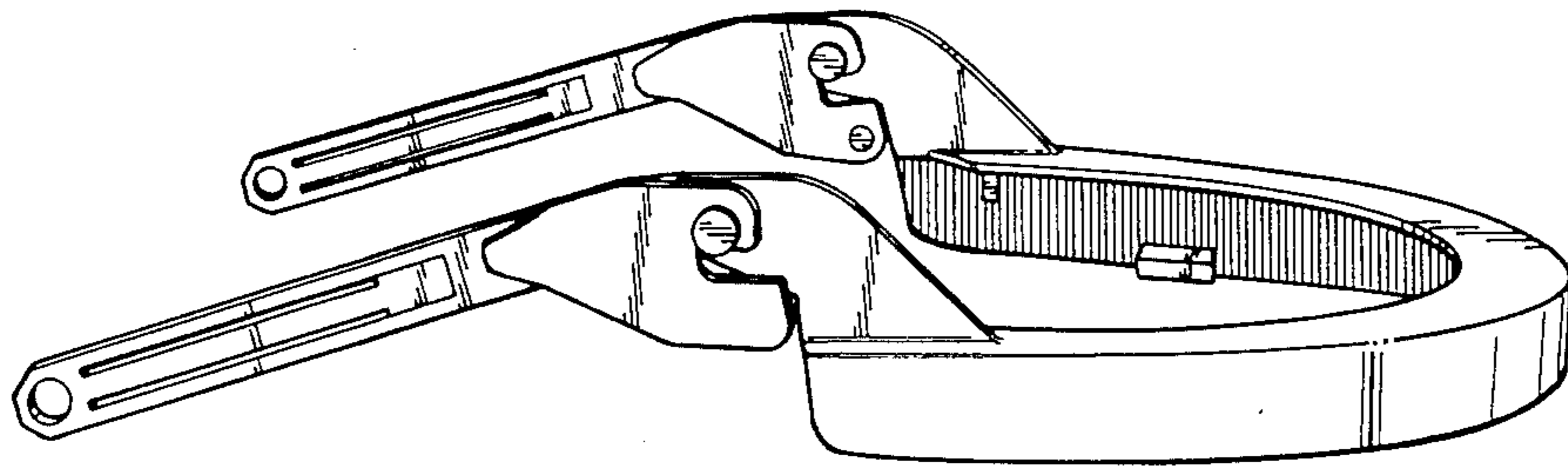


FIG. 1

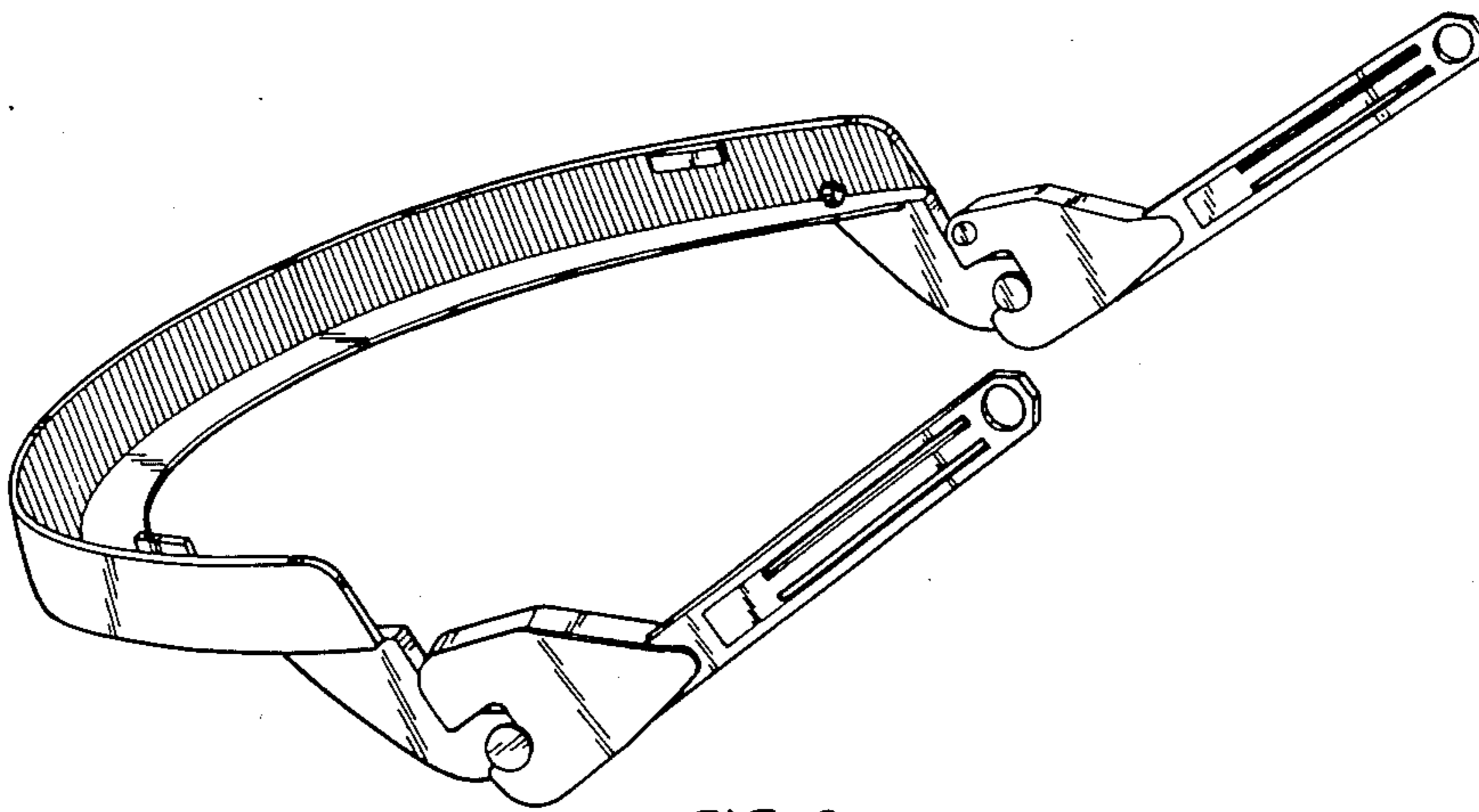


FIG. 2

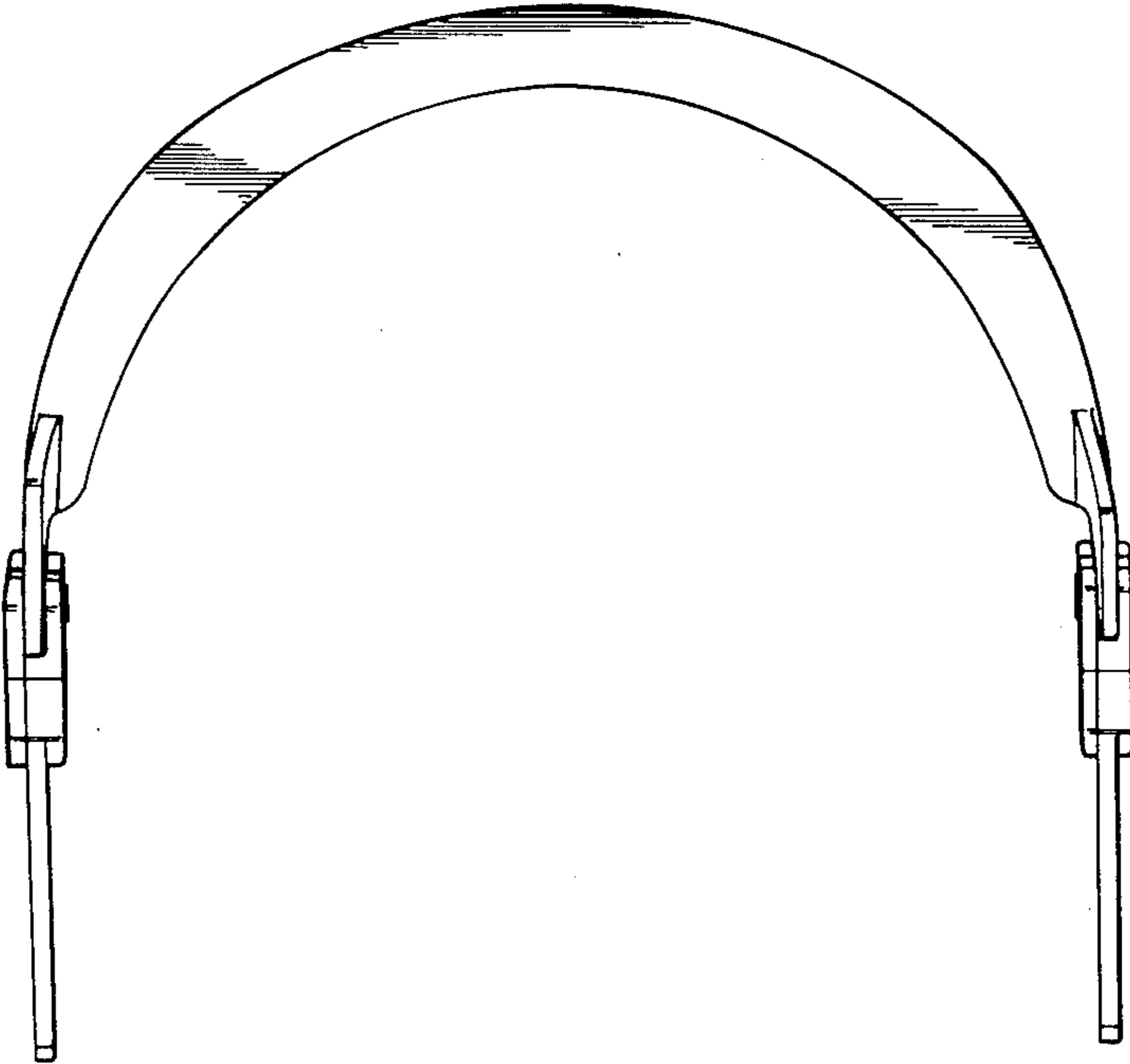


FIG. 3