

United States Patent [19]

Simonetti

[11] Patent Number: **Des. 298,472**

[45] Date of Patent: **** Nov. 8, 1988**

[54] LIPSTICK CASE

[75] Inventor: **Theodore Simonetti, New York, N.Y.**

[73] Assignee: **L'Oreal S.A., Paris, France**

[**] Term: **14 Years**

[21] Appl. No.: **850,919**

[22] Filed: **Apr. 9, 1986**

[52] U.S. Cl. **D28/85; D28/89**

[58] Field of Search **D28/4-9, D28/73-91.1; D3/39; D9/338, 377, 414, 420, 430, 432; 206/235, 385, 581, 823; 220/DIG. 26; 132/79 R, 79 A, 79 C, 82 R, 82 A, 83 B, 88.5, 88.7**

[56] **References Cited**

U.S. PATENT DOCUMENTS

D. 266,961 11/1982 Balleraud D28/91.1
D. 271,337 11/1983 Holloway D28/89 X

D. 279,510 7/1985 Kairawicz D28/85
D. 279,827 7/1985 Buchet D28/85
D. 280,140 8/1985 Bakic D28/85

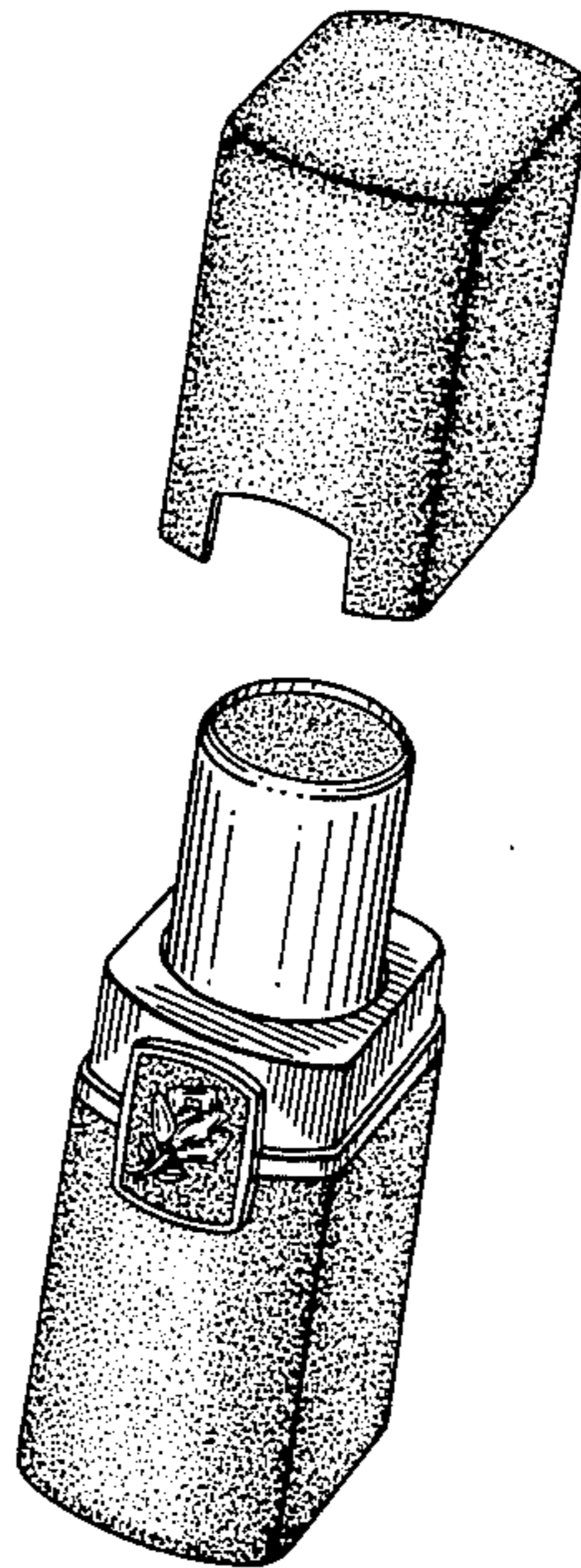
Primary Examiner—Louis S. Zarfaz
Attorney, Agent, or Firm—Brumbaugh, Graves,
Donohue & Raymond

[57] CLAIM

The ornamental design for a lipstick case, as shown and described.

DESCRIPTION

FIG. 1 is a front elevational view of a lipstick case showing my new design;
FIG. 2 is a top plan view, the bottom plan view being the same;
FIG. 3 is a left side elevational view, the right side being a mirror image;
FIG. 4 is a rear elevational view; and,
FIG. 5 is an exploded top perspective view.



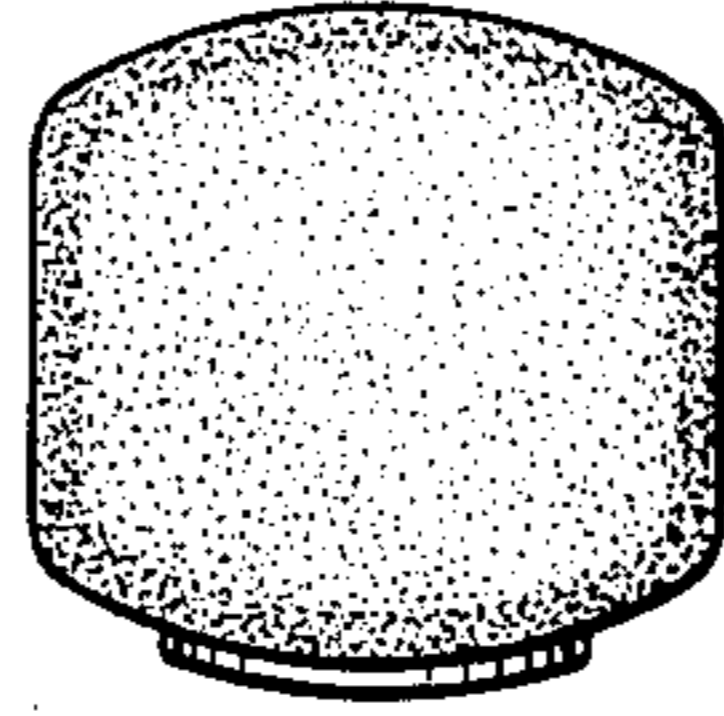


FIG. 2

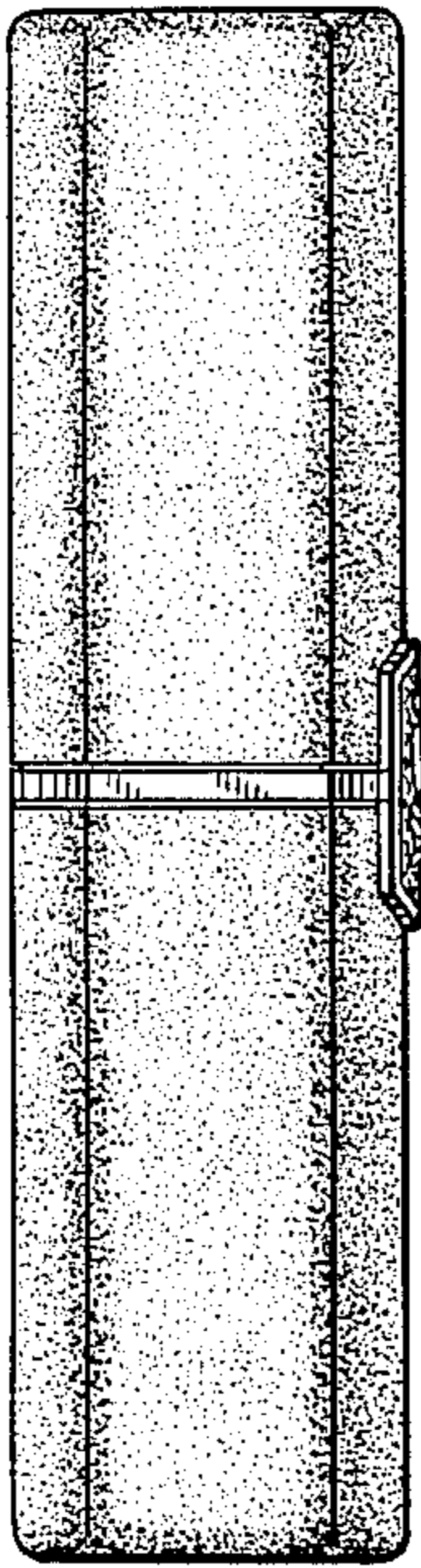


FIG. 3

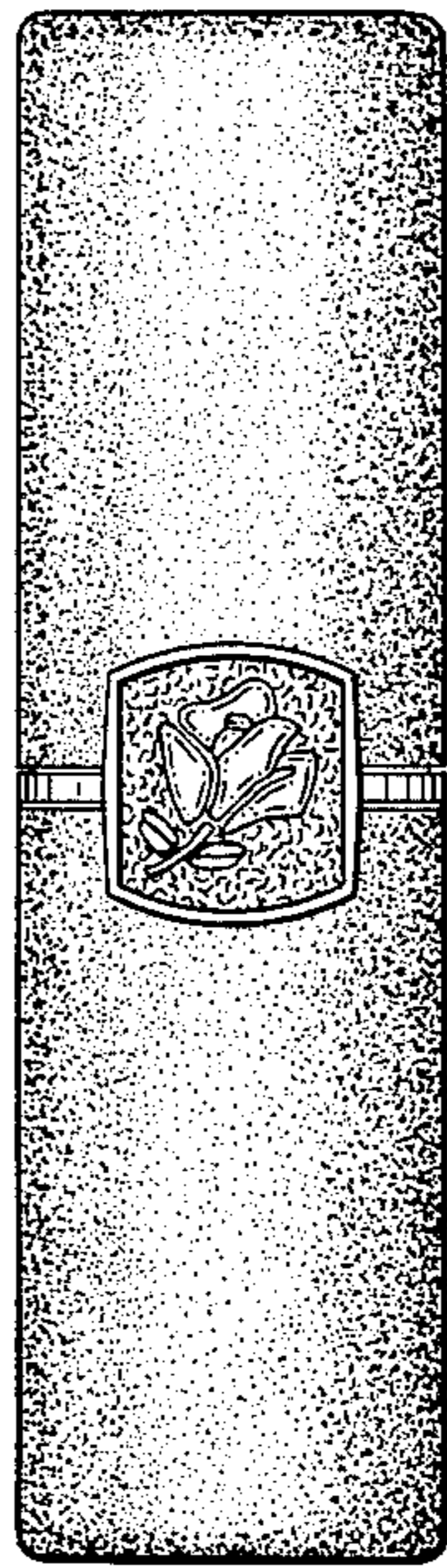


FIG. 1

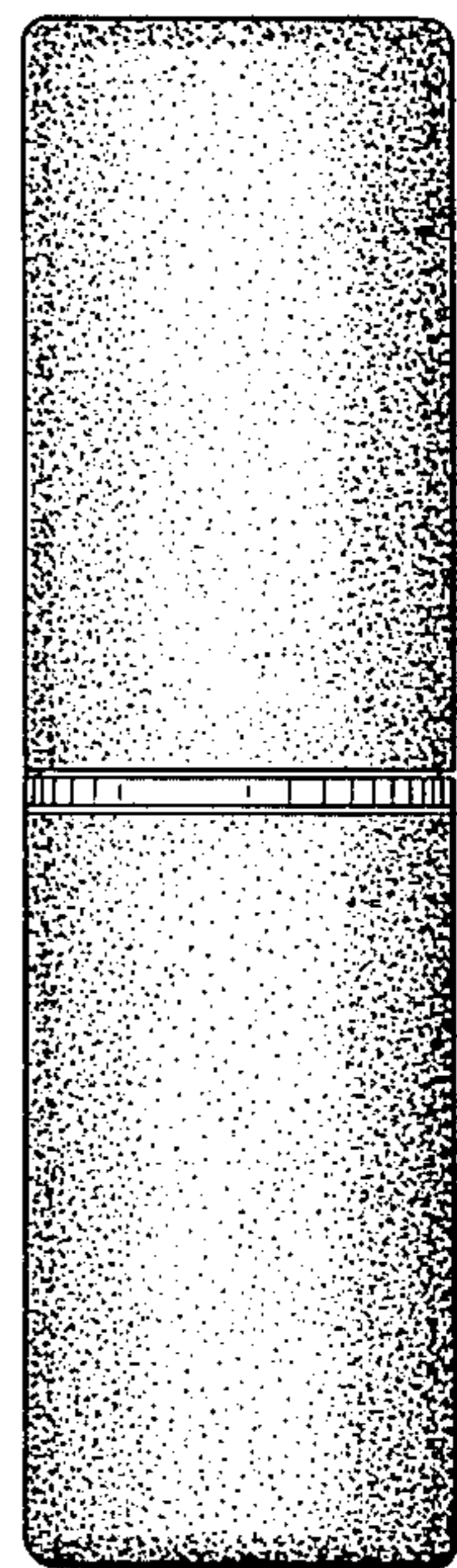


FIG. 4

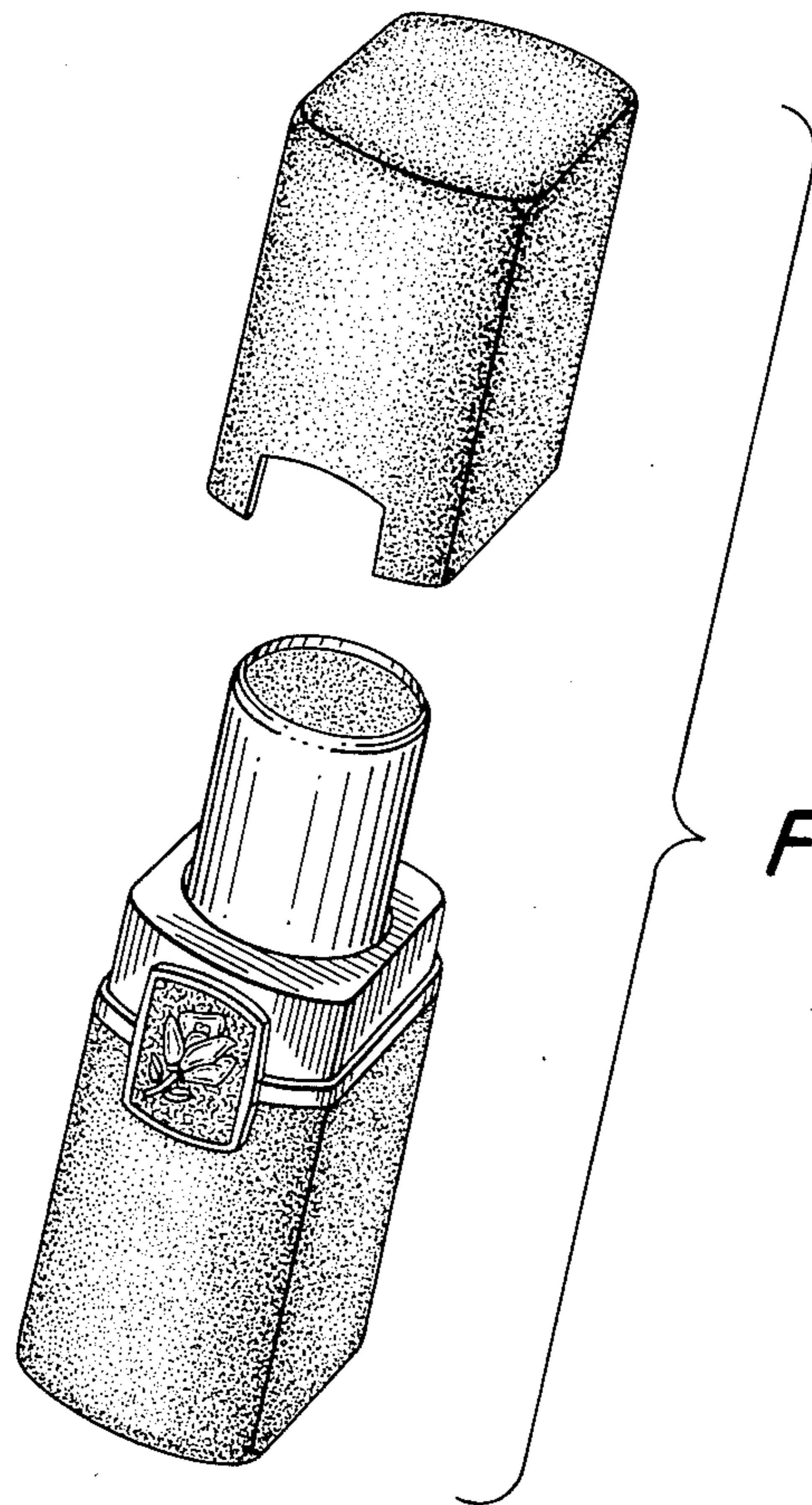


FIG. 5