

[54] **UTILITY LAMP**

[76] **Inventor: Douglas Stover, 2324 Alvarado Dr., Kettering, Ohio 45420**

[\*\*] **Term: 14 Years**

[21] **Appl. No.: 793,253**

[22] **Filed: Oct. 31, 1985**

[52] **U.S. Cl. .... D26/63; D26/93**

[58] **Field of Search ..... D26/60-66,  
D26/93-112; 362/410, 411, 413, 414, 418, 427,  
269, 275**

[56] **References Cited**

**U.S. PATENT DOCUMENTS**

D. 207,967	6/1967	Harrison et al. ....	D26/63
D. 265,763	8/1982	Franks .....	D26/64
D. 275,895	10/1984	Dietzen .....	D26/61
3,275,824	9/1966	Hinds .....	362/413 X
4,109,910	8/1978	Gleason .....	248/158 X

**OTHER PUBLICATIONS**

General Electric Quartzline ® Lamps ad, 1983, Quartz-halogen Fixture.

Hardware Age, 2-1978, p. 65, Lamp (bottom; center).  
Dayton Light Cart, Granger catalog.  
The \$29.90\* Floor Lamp That Thinks It's \$50.

*Primary Examiner*—Susan J. Lucas

*Attorney, Agent, or Firm*—Jacox & Meckstroth

[57] **CLAIM**

The ornamental design for utility lamp, substantially as shown and described.

**DESCRIPTION**

FIG. 1 is a front perspective view of a utility lamp showing my new design.

FIG. 2 is a front view thereof.

FIG. 3 is a top view thereof.

FIG. 4 is a bottom view thereof.

FIG. 5 is a side view thereof, taken from the right side of FIG. 2.

FIG. 6 is a rear view thereof.

FIG. 7 is a side view thereof, taken from the left side of FIG. 2.

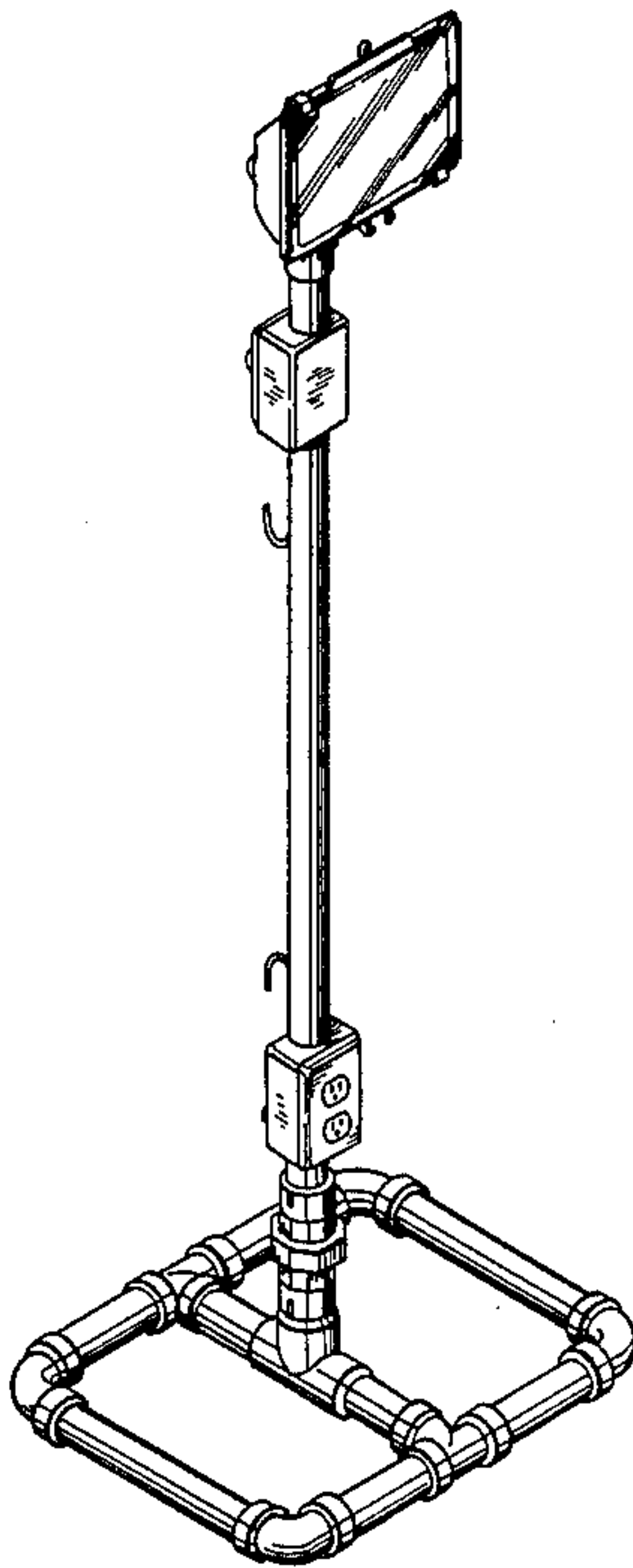


FIG-1

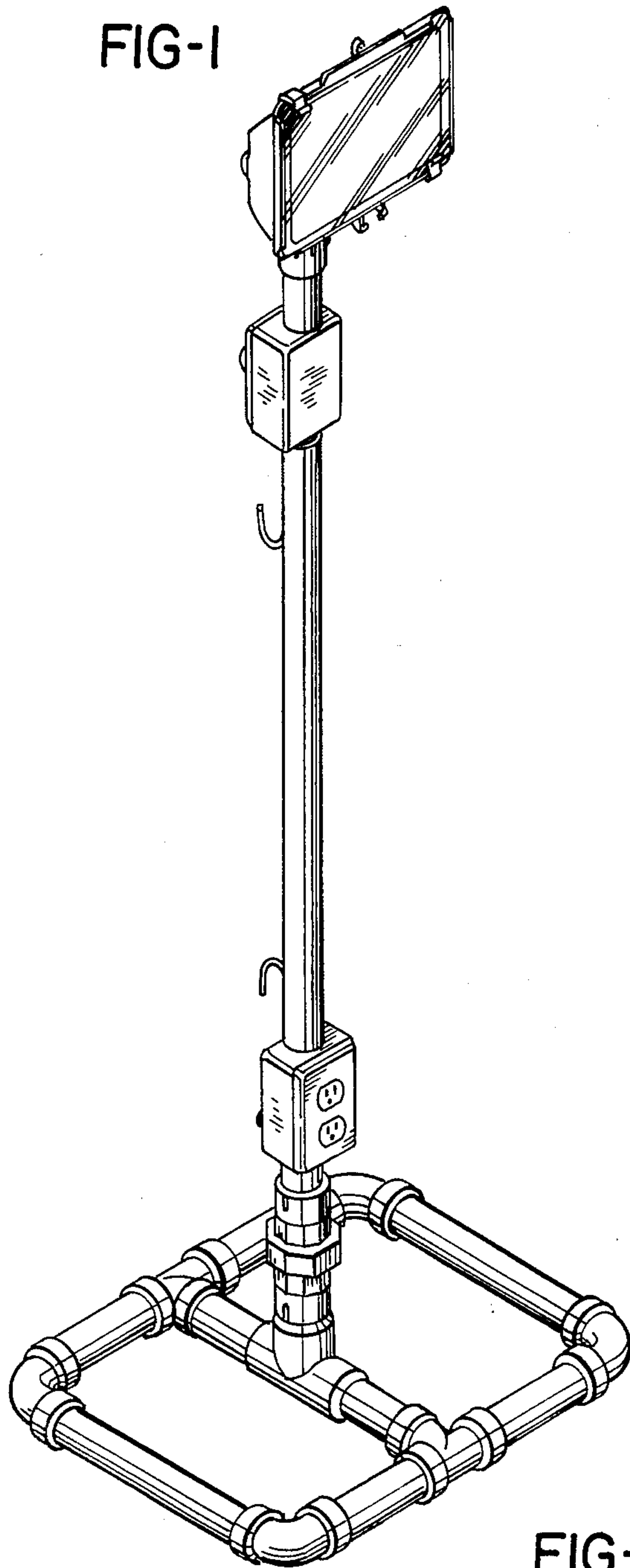


FIG-2

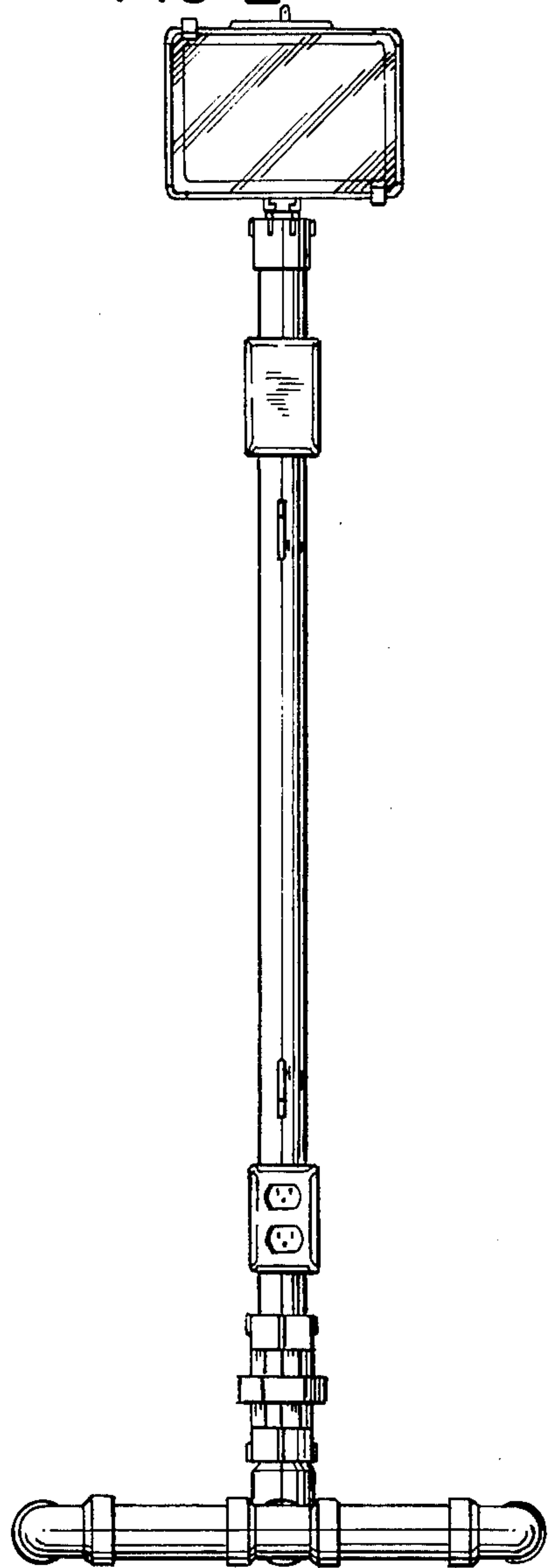


FIG-3

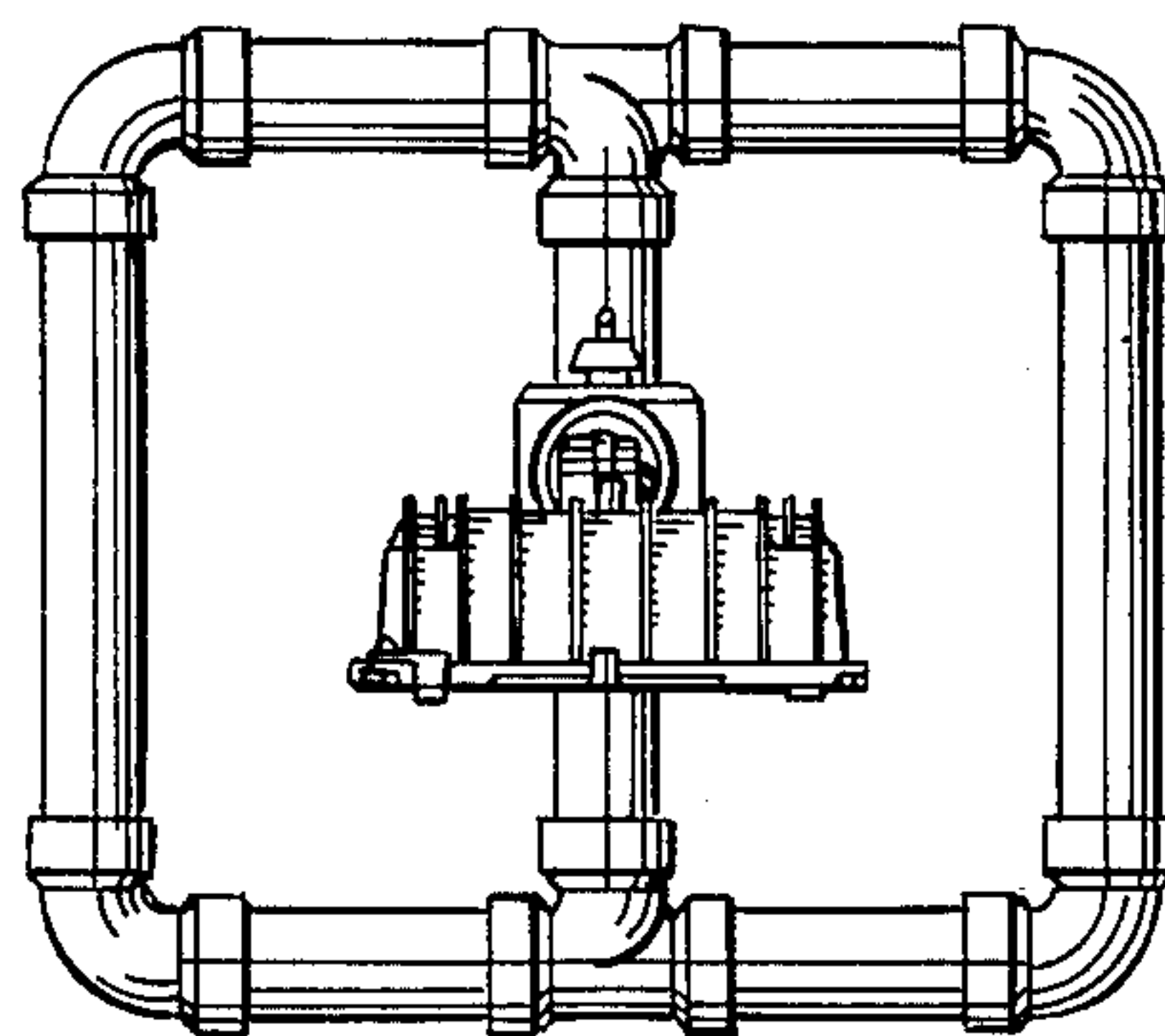


FIG-4

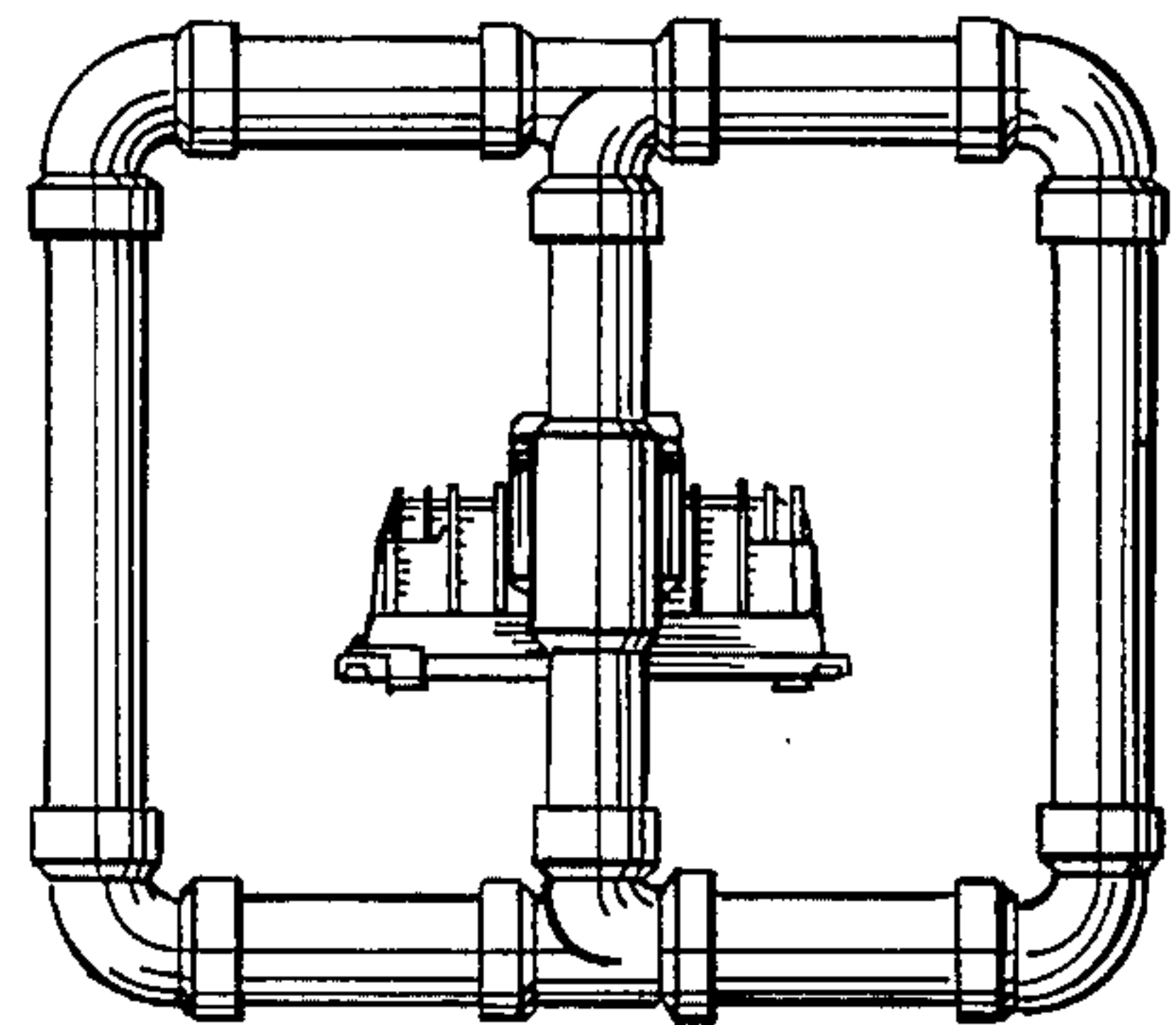


FIG-5

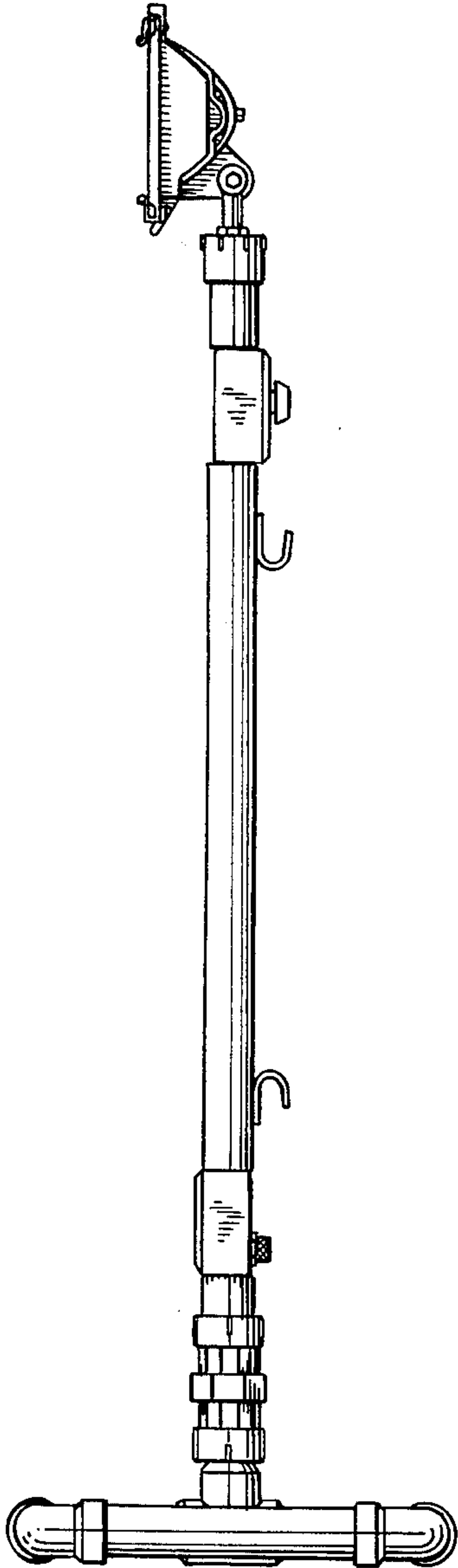


FIG-6

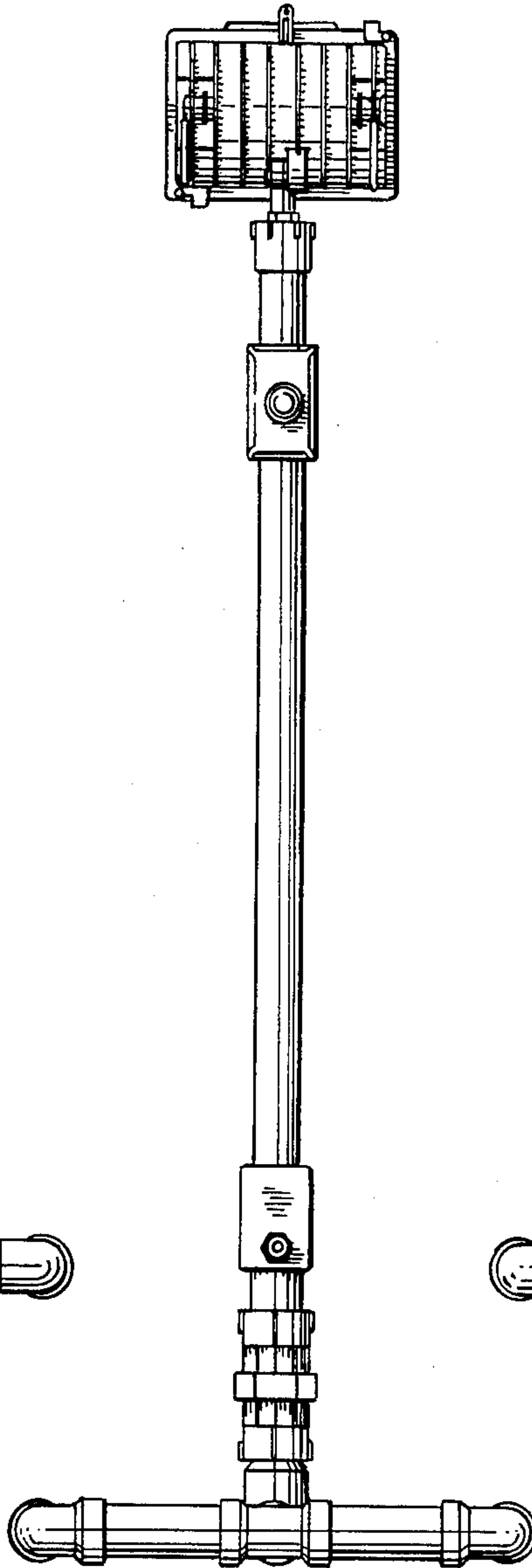


FIG-7

