

[54] **FLASHLIGHT**

[75] **Inventors:** Spencer Murrell, Delaware, Ohio;  
Bill Moggridge, Palo Alto, Calif.

[73] **Assignee:** Black & Decker, Inc., Newark, Del.

[\*\*] **Term:** 14 Years

[21] **Appl. No.:** 883,492

[22] **Filed:** Jul. 8, 1986

[52] **U.S. Cl.** ..... D26/46

[58] **Field of Search** ..... D26/37-50;  
362/157, 158, 183-191, 194-208

[56] **References Cited**

**FOREIGN PATENT DOCUMENTS**

2413006 10/1975 Fed. Rep. of Germany ..... 362/202

**OTHER PUBLICATIONS**

Home Furnishings Daily, 1-20-65, p. 1, Rechargeable Flashlight.

*Primary Examiner*—Susan J. Lucas  
*Attorney, Agent, or Firm*—Paul J. Lerner

[57] **CLAIM**

The ornamental design for a flashlight, as shown and described.

**DESCRIPTION**

FIG. 1 is a front perspective view of the flashlight showing our new design.

FIG. 2 is a side elevational view thereof, the opposite side being a mirror image;

FIG. 3 is a top plan view thereof;

FIG. 4 is a bottom plan view thereof;

FIG. 5 is a front elevational view thereof;

FIG. 6 is a rear elevational view thereof of the flashlight.

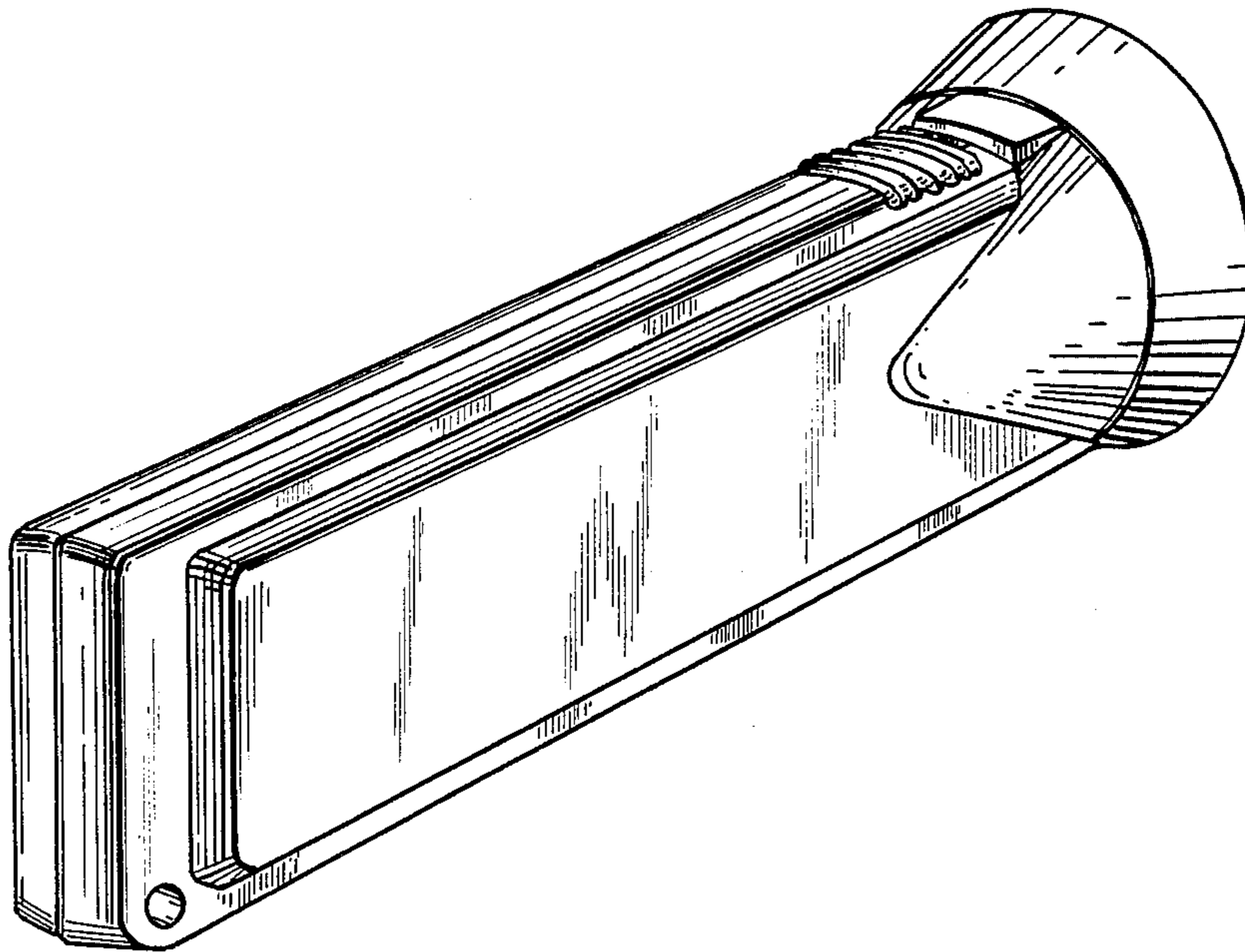


FIG. 1

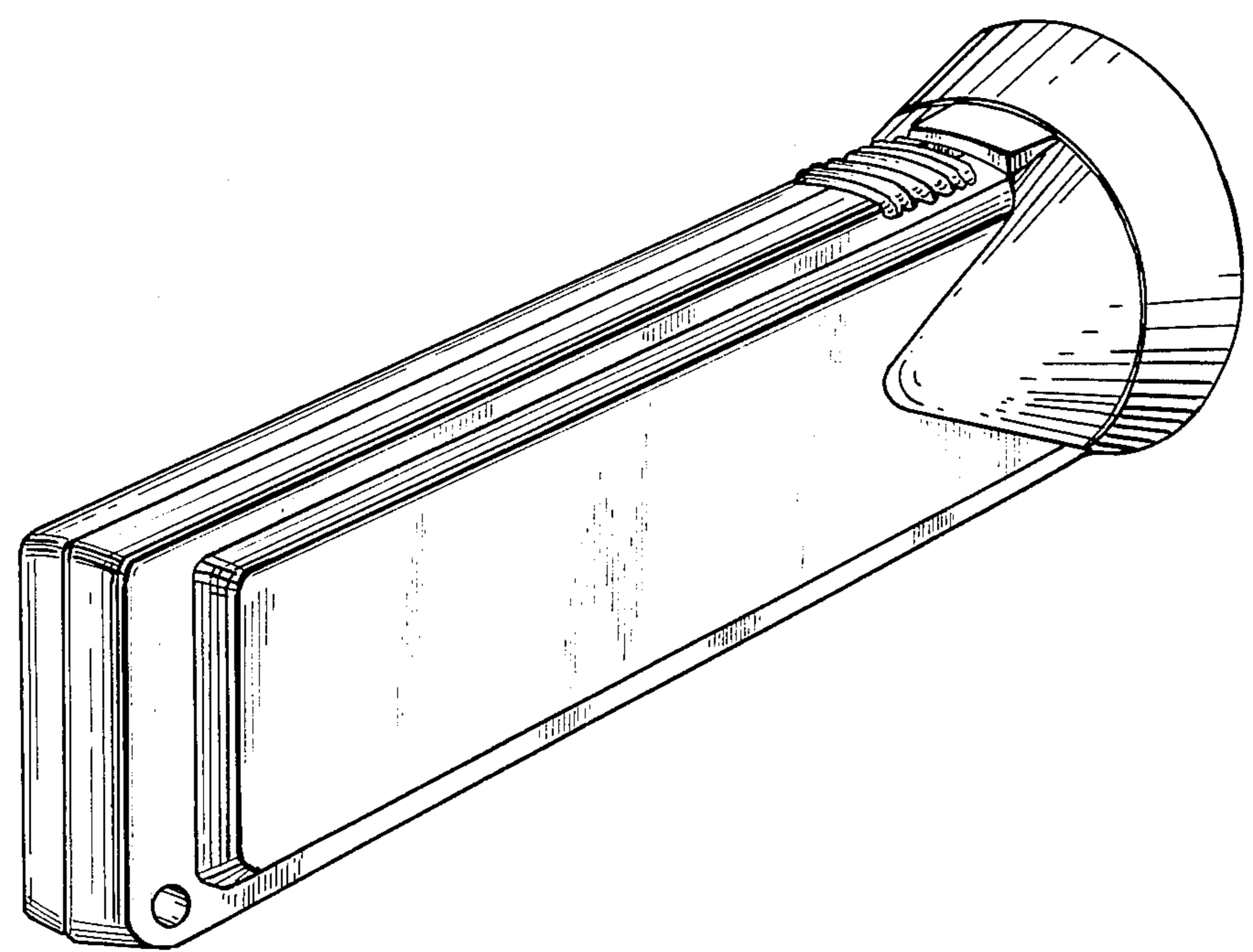


FIG. 2

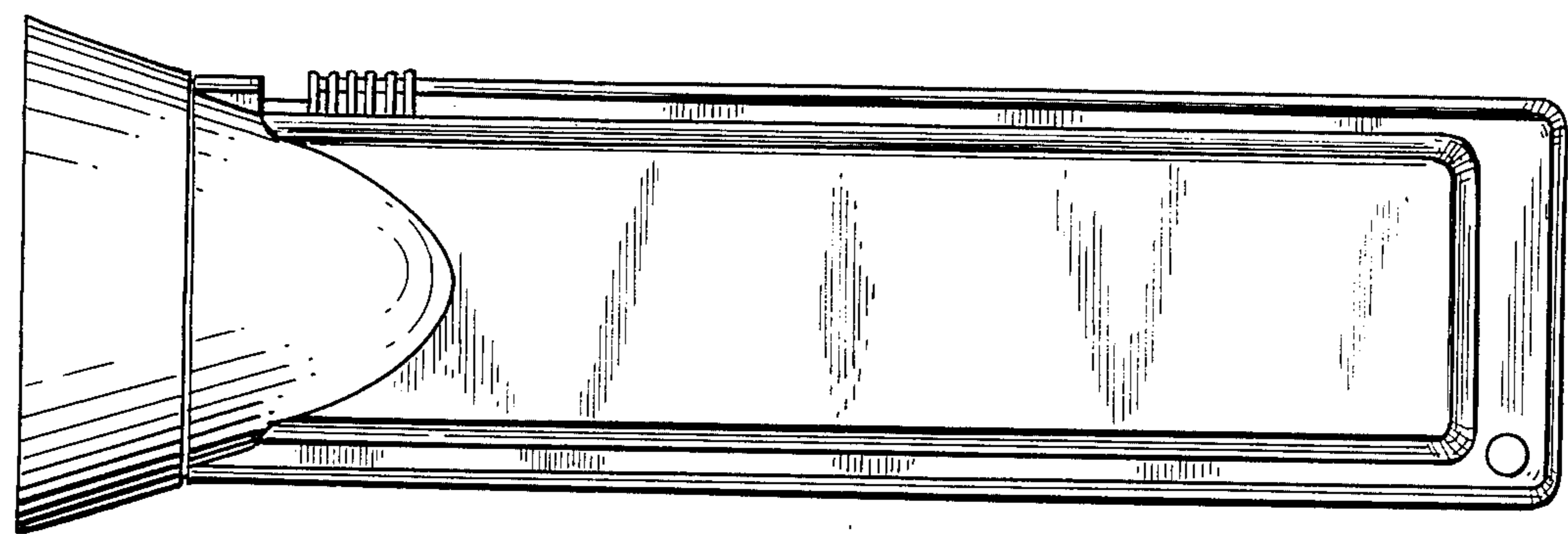


FIG. 3

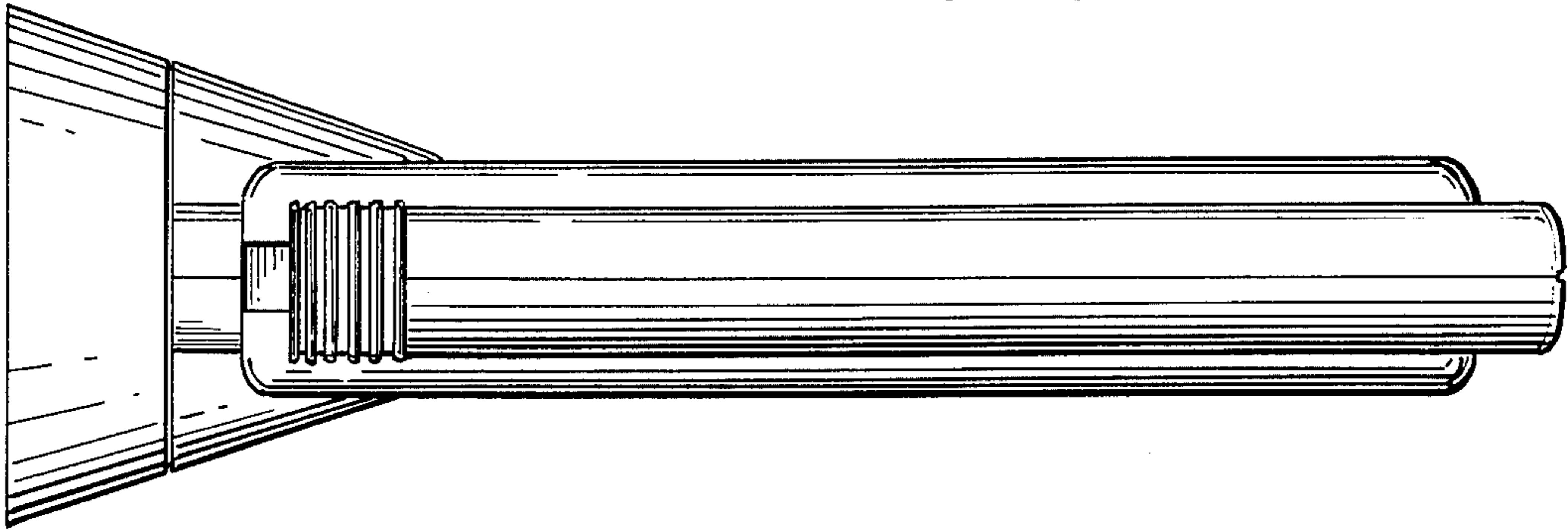


FIG. 4

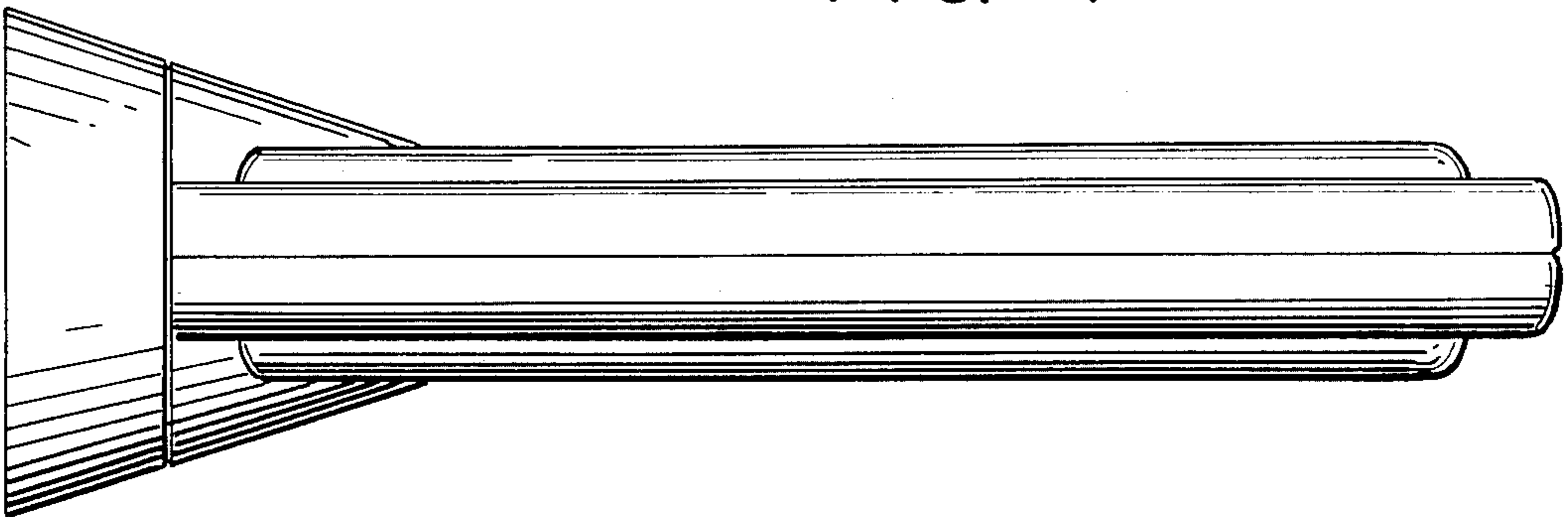


FIG. 5

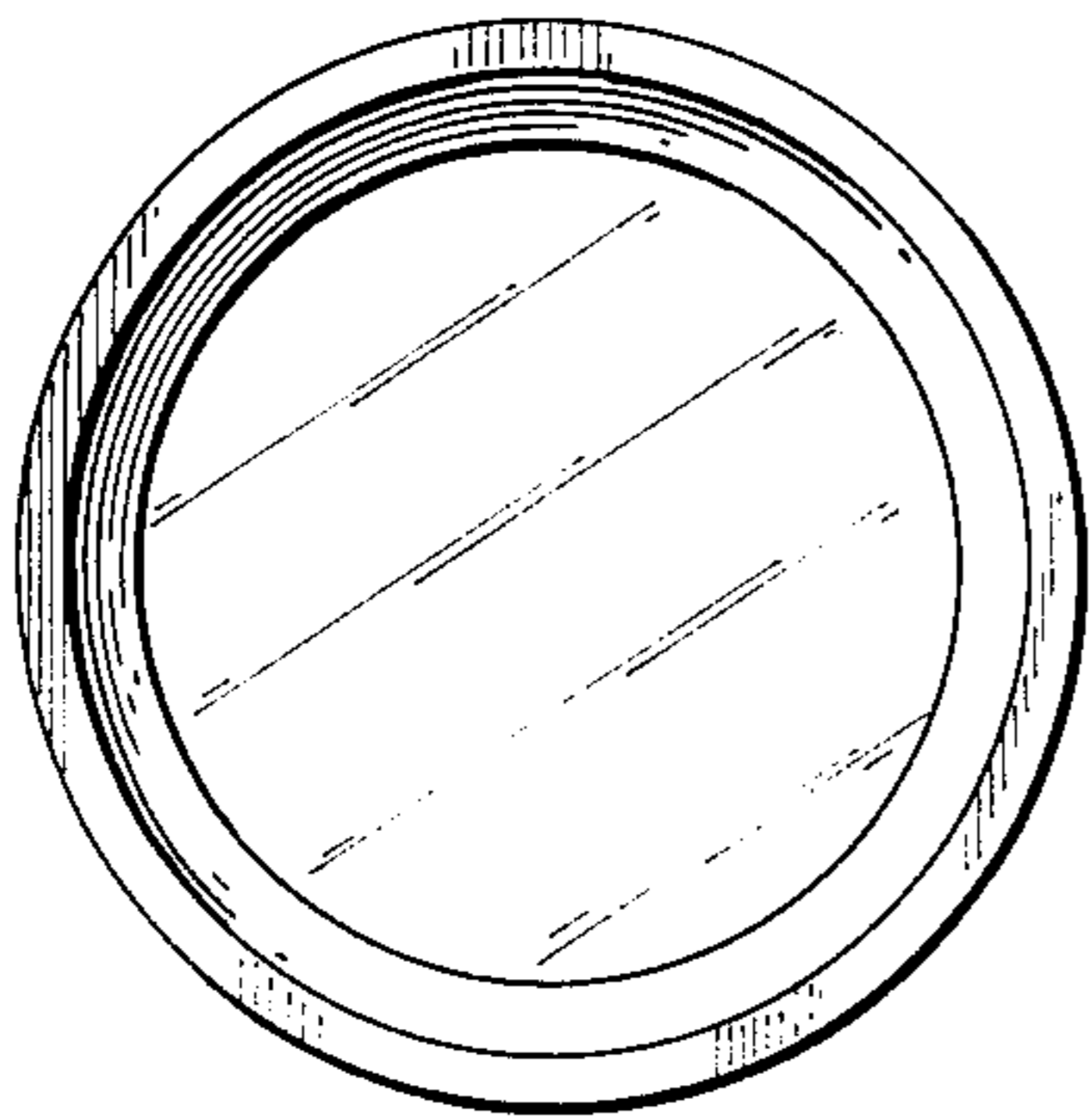


FIG. 6

