

United States Patent [19]
Roote

[11] **Patent Number: Des. 298,464**
[45] **Date of Patent: ** Nov. 8, 1988**

[54] **CONCRETE BLOCK**

[75] **Inventor: Kevin P. Roote, Scarborough, Canada**

[73] **Assignee: Standard Industries Ltd., Toronto, Canada**

[**] **Term: 14 Years**

[21] **Appl. No.: 753,024**

[22] **Filed: Jul. 8, 1985**

[30] **Foreign Application Priority Data**

Jan. 9, 1985 [CA] Canada 09-01-85-8
[52] **U.S. Cl. D25/117**
[58] **Field of Search D25/113-118, D25/138, 152, 153, 155, 156, 161; 404/41, 42, 49, 50; 52/604, 606, 607, 591, 594, 595, 581**

[56]

References Cited

U.S. PATENT DOCUMENTS

D. 57,111 2/1921 Bruce D25/161

FOREIGN PATENT DOCUMENTS

815691 10/1951 Fed. Rep. of Germany D12/161

OTHER PUBLICATIONS

Rampf Formen Brochure, p. 13, Concrete Block, No. 3, bottom left side of page.

Primary Examiner—James M. Gandy
Attorney, Agent, or Firm—Ridout & Maybee

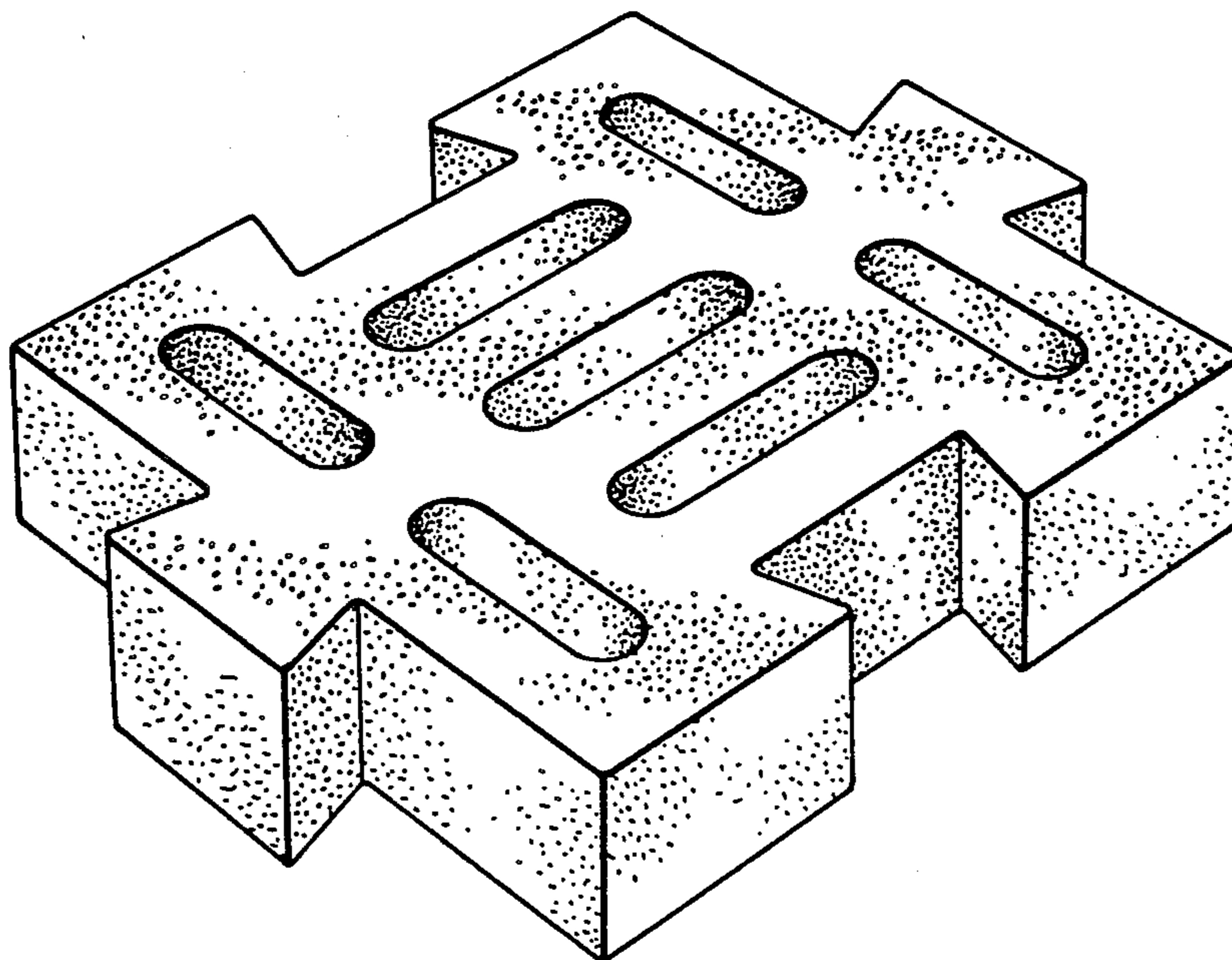
[57]

CLAIM

The ornamental design for a concrete block, as shown.

DESCRIPTION

FIG. 1 is a perspective view from two sides and above of a concrete block showing my new design; and FIG. 2 is a perspective view thereof from the other two sides and below.



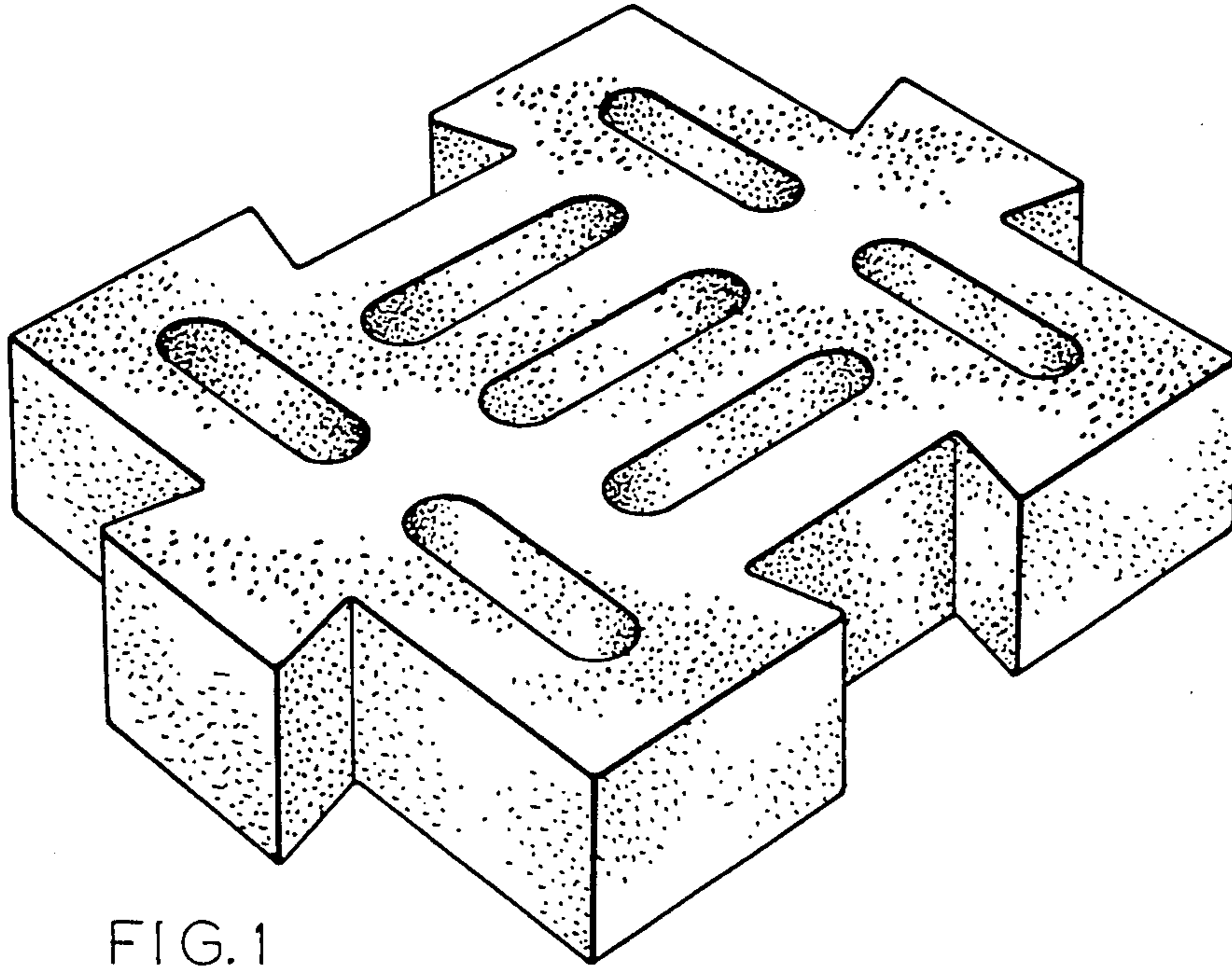


FIG. 1

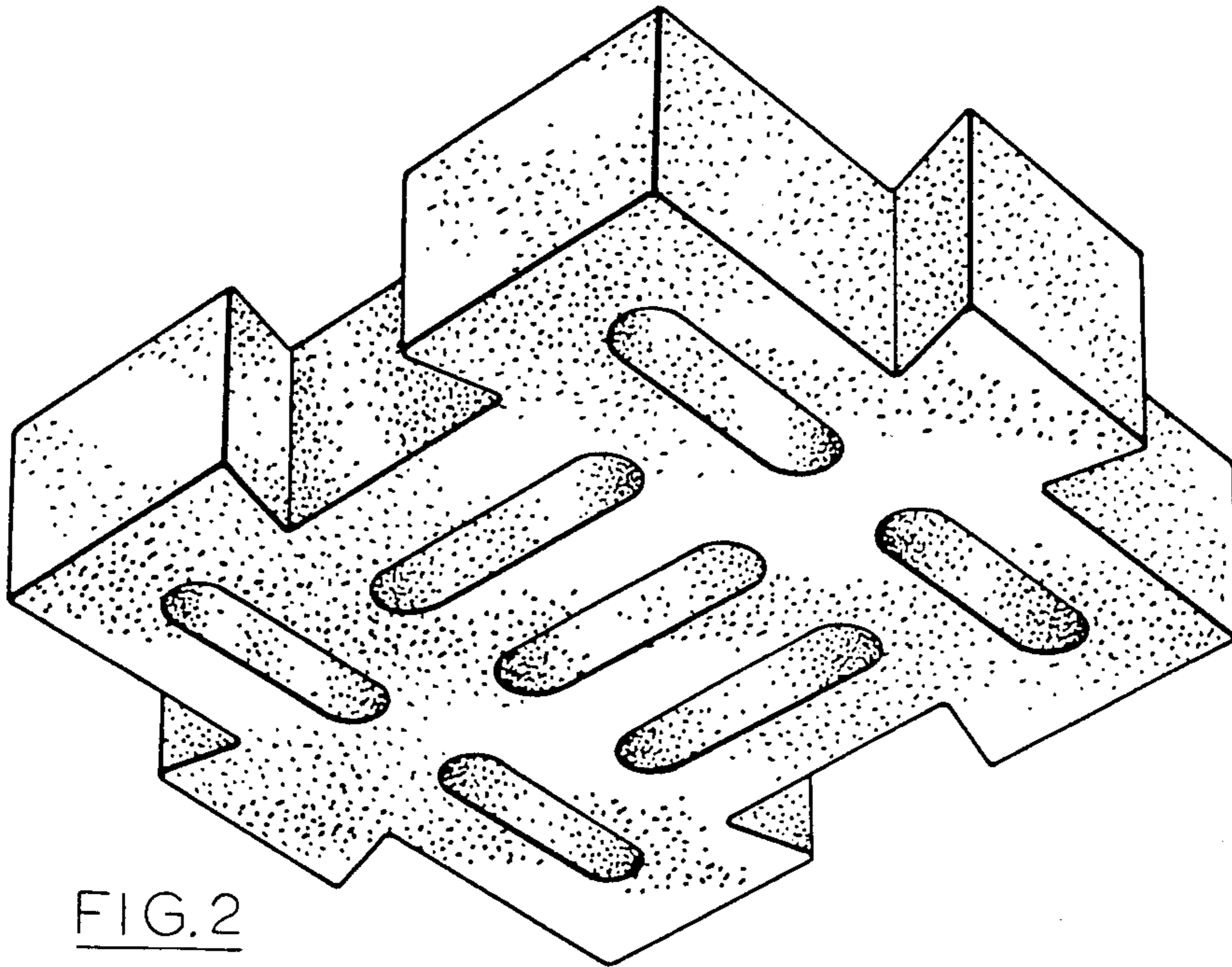


FIG. 2