

[54] THERMOELECTRIC DEVICE FOR HEATING AND COOLING THE SKIN

[76] Inventors: Ely Margolin, 1253C Newmarket Ave., South Plainfield, N.J. 07080; Loren Shelffo, 185 S. Orange Ave., South Orange, N.J. 07079

[**] Term: 14 Years

[21] Appl. No.: 847,834

[22] Filed: Apr. 3, 1986

[52] U.S. Cl. D24/36

[58] Field of Search D24/36, 43, 34; 128/387, 399, 380, 382, 384, 402; 219/473, 528

[56] References Cited

U.S. PATENT DOCUMENTS

Re. 26,276	10/1967	Hirschhorn .	
D. 267,428	12/1982	Christensen et al.	D24/34
2,938,356	5/1960	McMahon .	
3,080,723	3/1963	Price .	
3,088,288	5/1963	Elfving .	
3,133,539	5/1964	Eidus .	
3,142,158	7/1964	Podolsky .	
3,207,159	9/1965	Tateisi .	
3,274,995	9/1966	Eidus .	

3,282,267	11/1966	Eidus .	
3,618,590	11/1971	Frank .	
4,279,255	7/1981	Hoffman	128/399 X
4,483,021	11/1984	McCall	128/399 X
4,640,284	2/1987	Ruderian	128/399

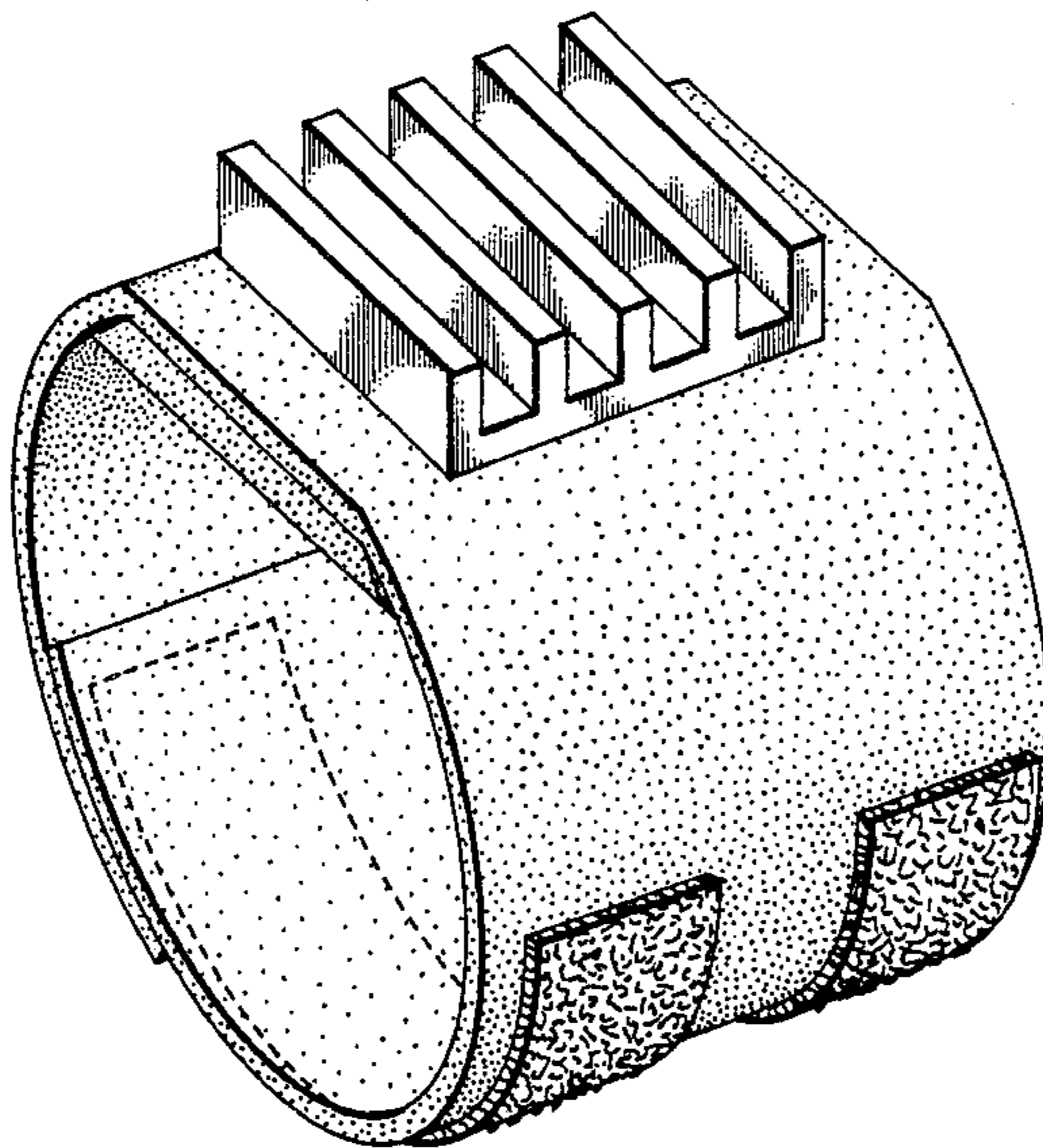
Primary Examiner—Wallace R. Burke
Assistant Examiner—Stella M. Reid

[57] CLAIM

The ornamental design for a thermoelectric band for heating and cooling the skin, as shown and described.

DESCRIPTION

FIG. 1 is an elevational view of the external portion of a thermoelectric band for heating and cooling the skin, showing my new design in open condition;
 FIG. 2 is an elevational view of the internal portion thereof, in open condition;
 FIG. 3 is a perspective view thereof, in closed position;
 FIG. 4 is a side elevational view thereof, in open condition;
 FIG. 5 is an end elevational view thereof, in open condition; and
 FIG. 6 is an end elevational view thereof, opposite that shown in FIG. 5, in open condition.
 The broken line appearing in FIGS. 1 and 3 represent topstitching.



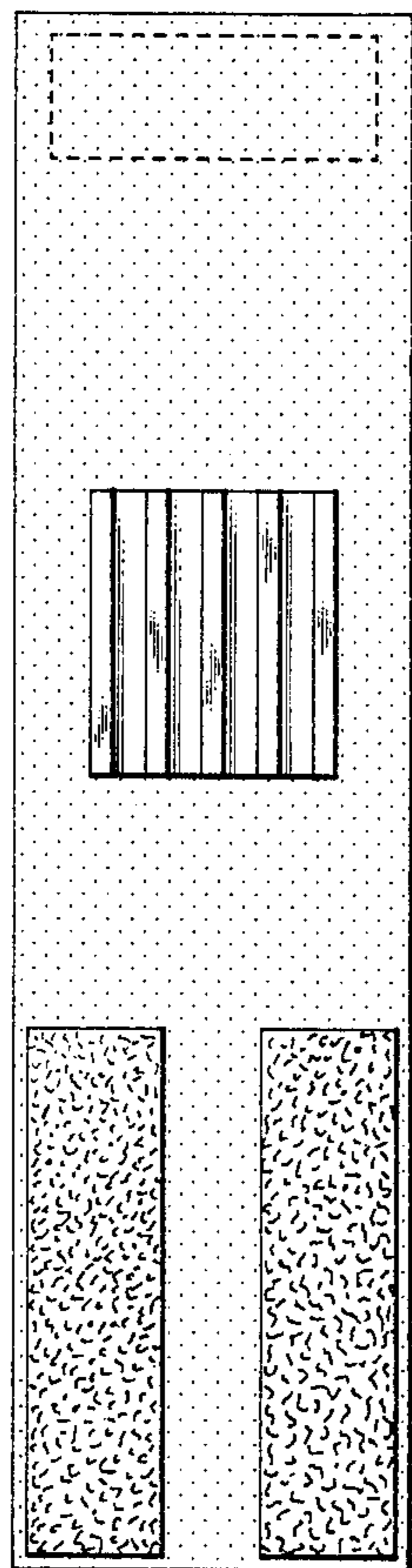


FIG. 1

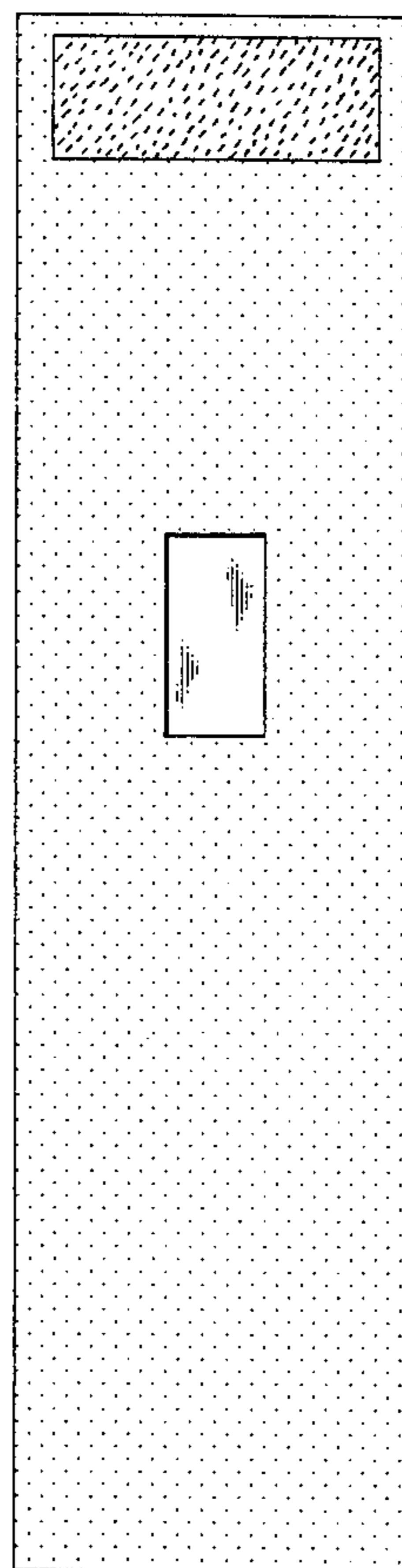


FIG. 2

FIG. 3

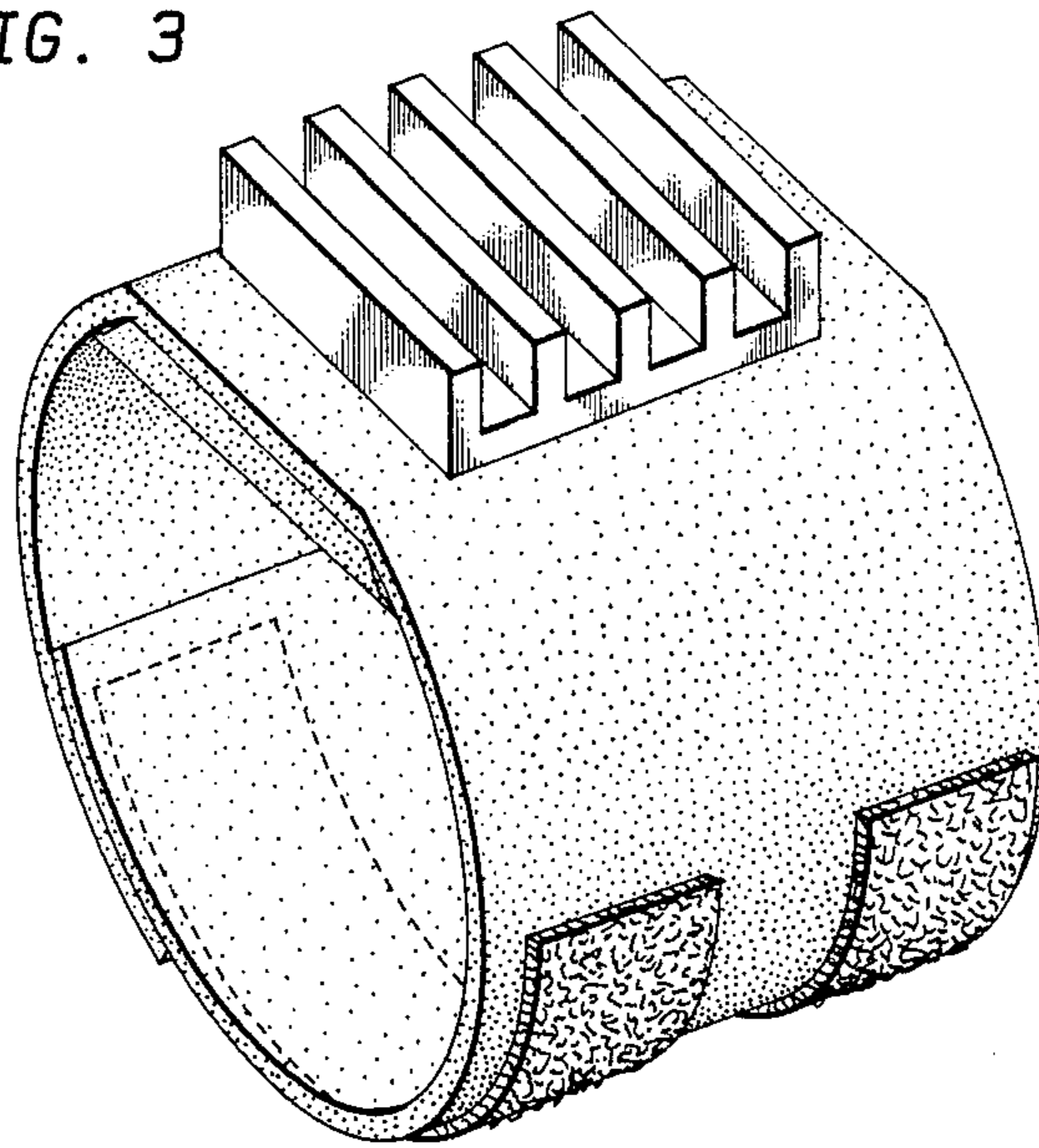


FIG. 4

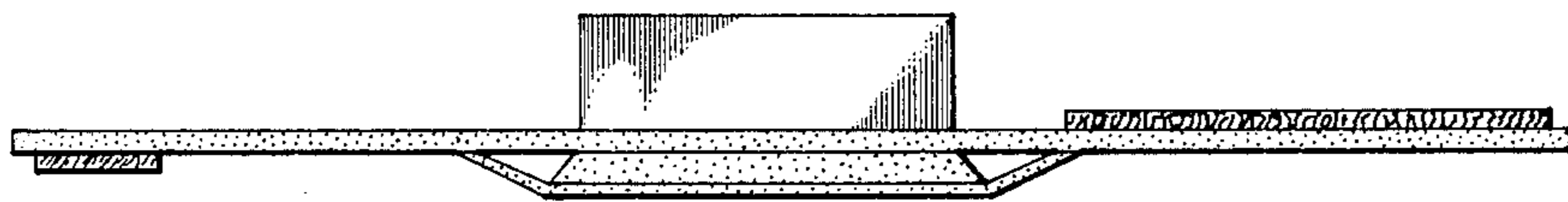


FIG. 5

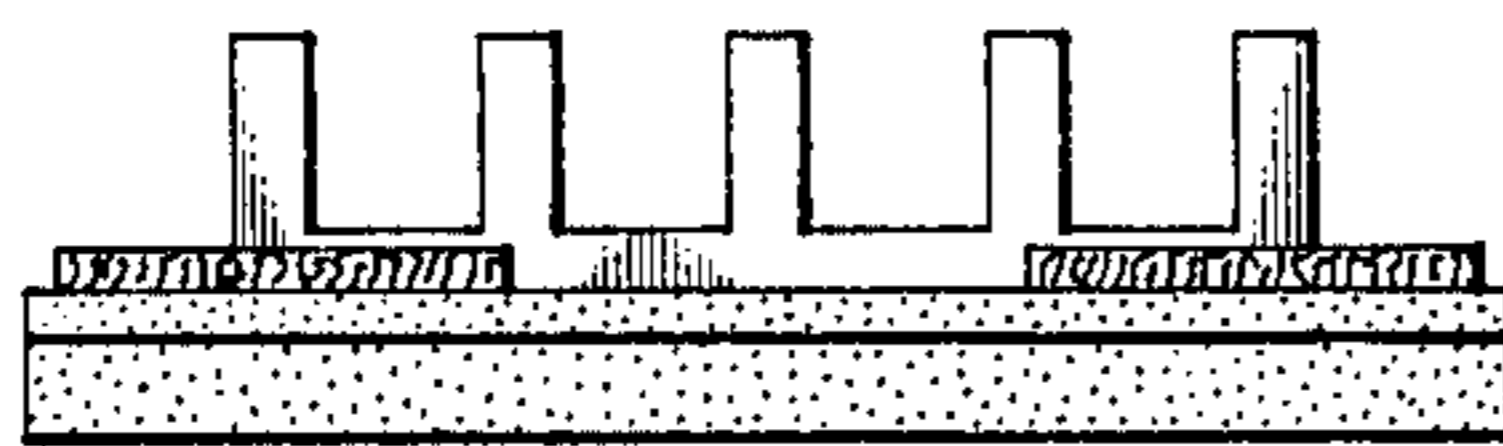


FIG. 6

