

[54] **COMBINED MOTOR HOUSING, FAN
BLADES AND LIGHT FIXTURE FOR A
CEILING FAN**

[75] **Inventor: Jean Clyde-Mason, Hollywood,
Calif.**

[73] **Assignee: Casablanca Fan Company, Inc., City
of Industry, Calif.**

[**] **Term: 14 Years**

[21] **Appl. No.: 877,672**

[22] **Filed: Jun. 23, 1986**

[52] **U.S. Cl. D23/385; D23/377;
D23/379; D26/59**

[58] **Field of Search D23/370, 377, 379, 385;
D26/51, 59; 416/5; 362/147, 294, 404**

[56] **References Cited**

U.S. PATENT DOCUMENTS

4,666,670 5/1987 Cox 416/5 X
4,675,663 6/1987 Corwin 416/5 X

OTHER PUBLICATIONS

Home Lighting and Accessories, Dec. 1985, p. 47,
"Homestead Ceiling Fan—Contemporary Superfan".

Primary Examiner—Wallace R. Burke
Assistant Examiner—Brian N. Vinson
Attorney, Agent, or Firm—Charles H. Schwartz;
Ellsworth R. Roston

[57] **CLAIM**

The ornamental design for a combined motor housing,
fan blades and light fixture for a ceiling fan as shown
and described.

DESCRIPTION

FIG. 1 is a perspective view of a combined motor hous-
ing, fan blades and light fixture for a ceiling fan showing
my new design;

FIG. 2 is a bottom plan view thereof;

FIG. 3 is a side elevational view thereof, and

FIG. 4 is a top plan view thereof;

The broken-line showing of the blade holders in FIGS.
1-3 is for illustrative purposes only and forms no part of
the claimed design.

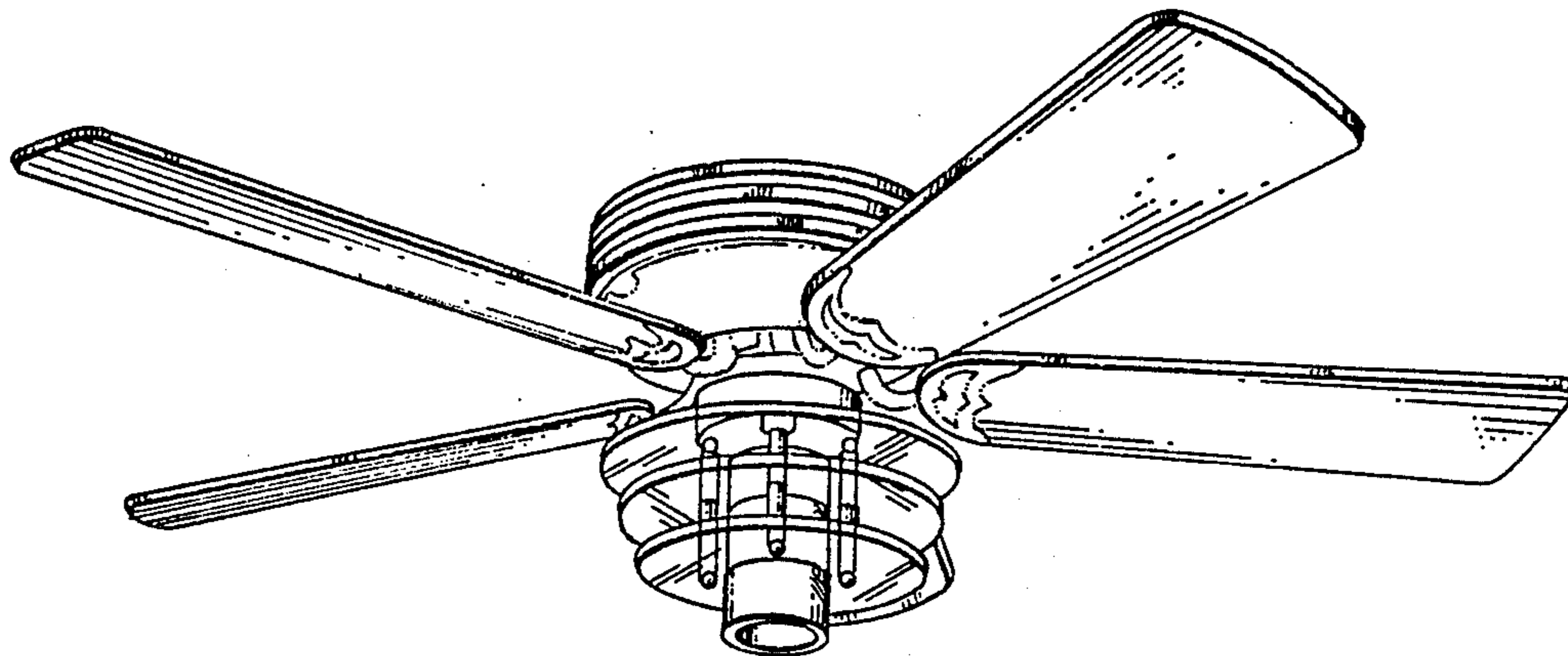


FIG. 1

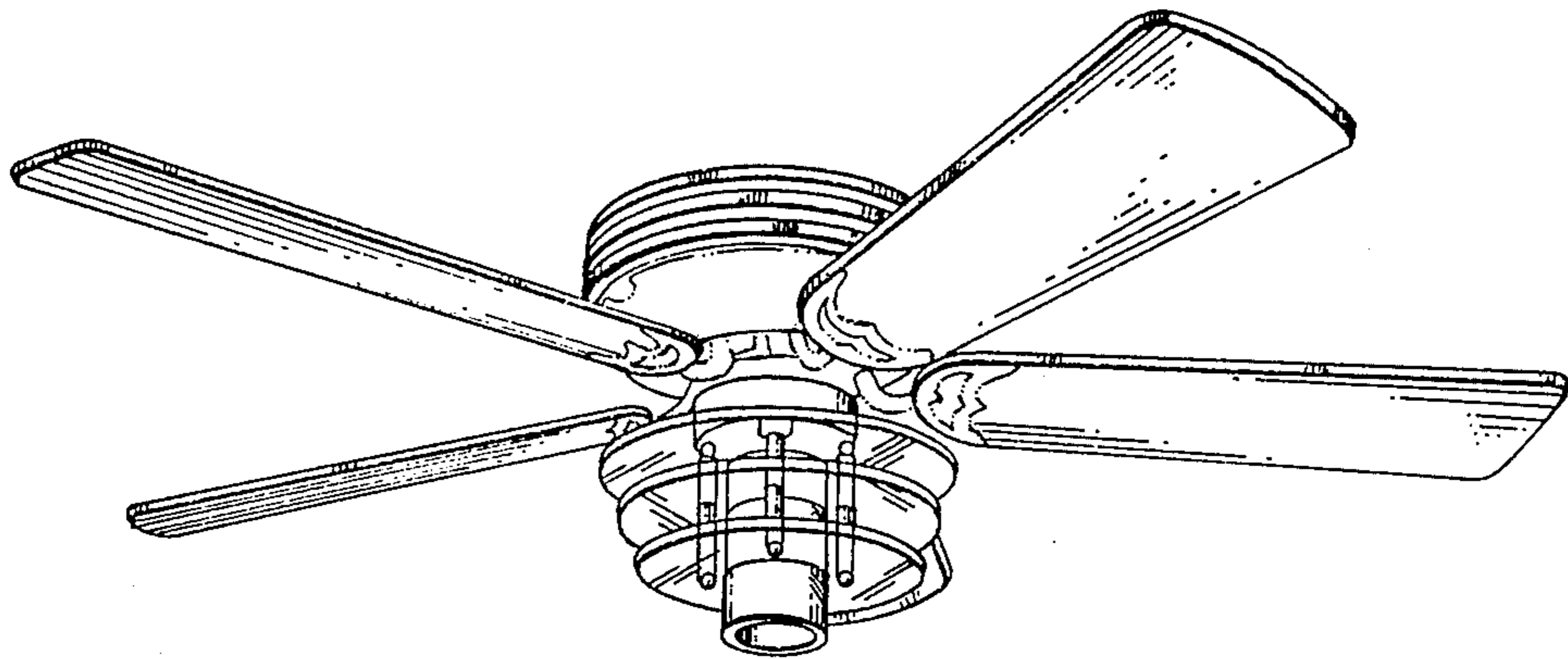


FIG. 2

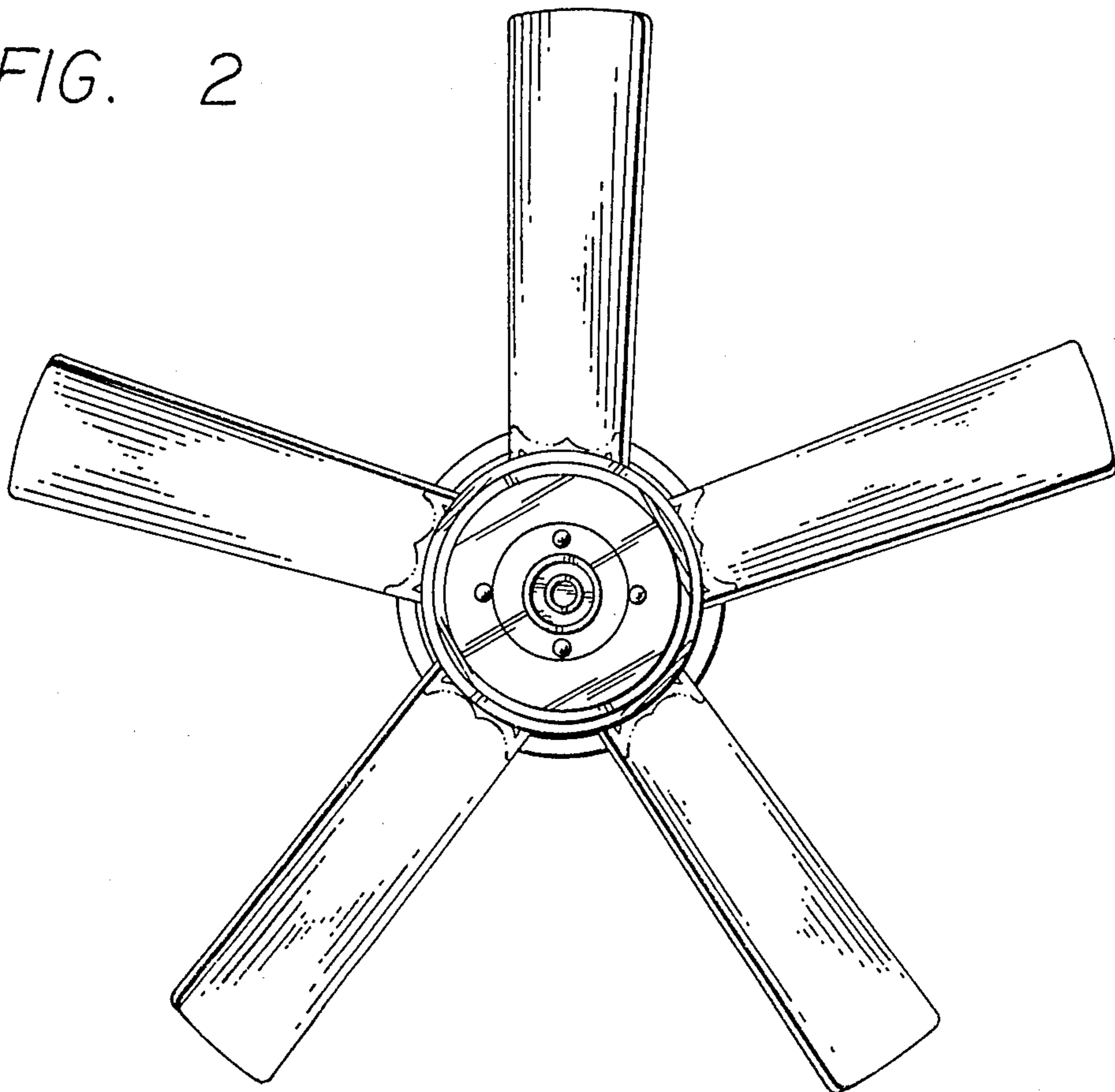


FIG. 3

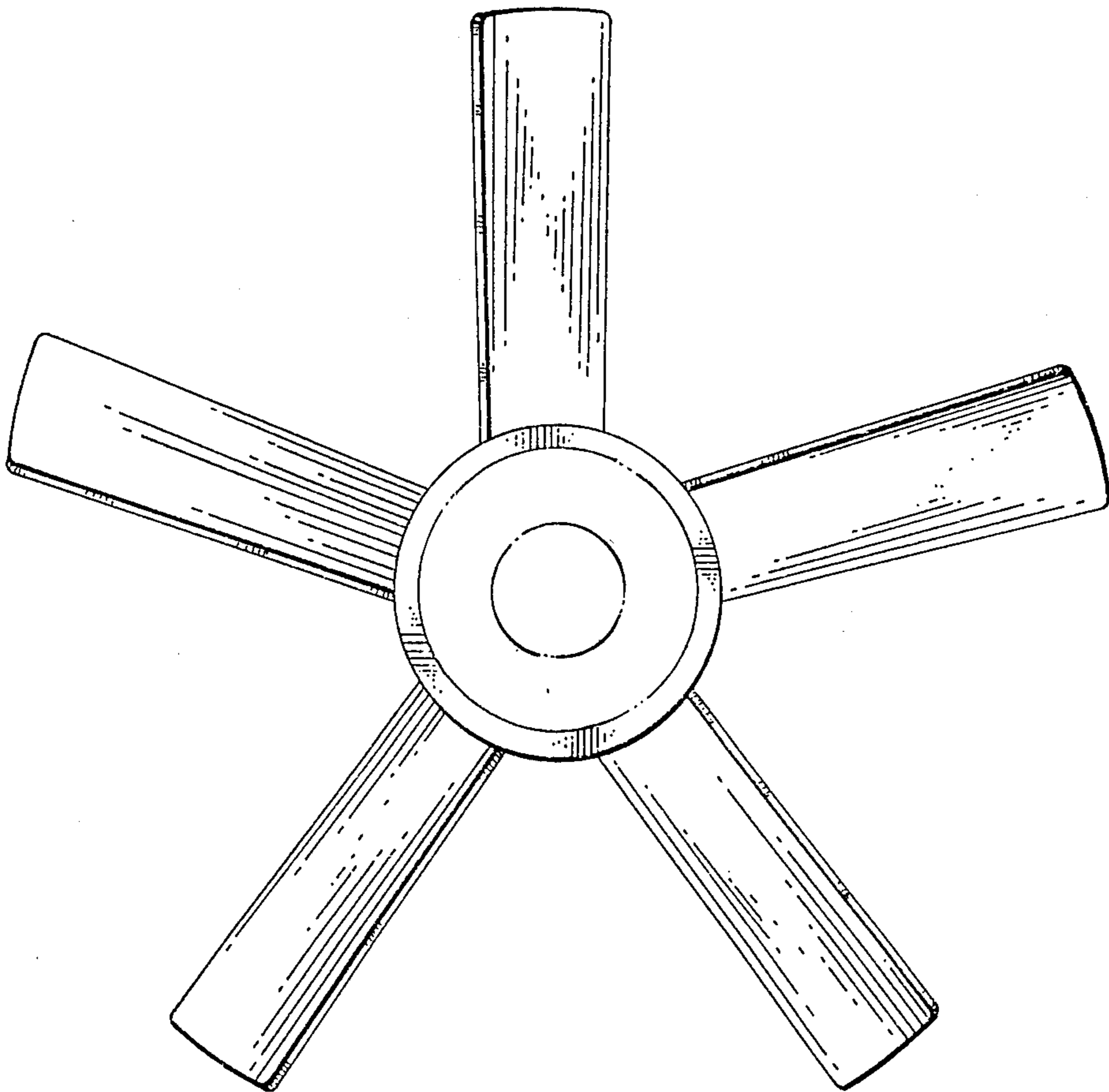
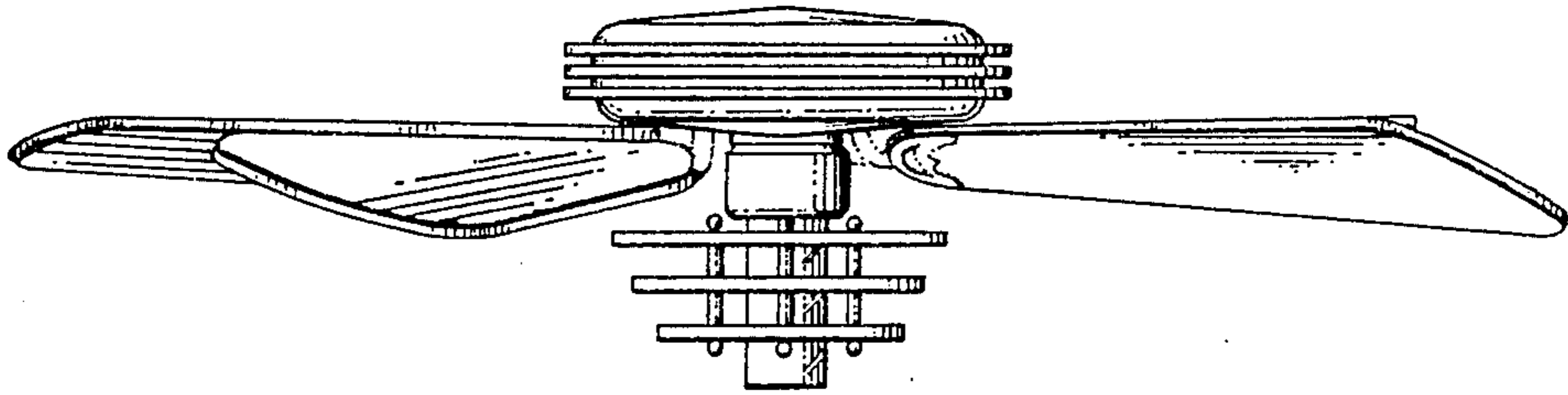


FIG. 4