

United States Patent [19]

Carter

[11] Patent Number: **Des. 298,452**

[45] Date of Patent: **** Nov. 8, 1988**

[54] **BASIN**

[76] Inventor: **Peter N. Carter, 100 Gawler Road,
Ulverstone, Tasmania, Australia**

[**] Term: **14 Years**

[21] Appl. No.: **727,825**

[22] Filed: **Apr. 26, 1985**

[30] **Foreign Application Priority Data**

Oct. 26, 1984 [AU] Australia 9364/84

Oct. 26, 1984 [AU] Australia 9365/84

[52] U.S. Cl. **D23/293**

[58] Field of Search **D23/284-294;
4/619, 631-635**

[56] **References Cited**

U.S. PATENT DOCUMENTS

D. 250,717 1/1979 Rodriguez D23/284

2,196,301 4/1940 Heine D23/290 X
2,532,769 12/1950 Houpt 4/632
2,584,860 2/1952 Galley 4/633
2,817,097 12/1957 Henley, Jr. 4/634
3,029,446 4/1962 Just 4/633
3,813,707 6/1974 Fowell 4/633

Primary Examiner—James R. Largen

Attorney, Agent, or Firm—Glen R. Grunewald; Thomas
R. Lampe

[57] **CLAIM**

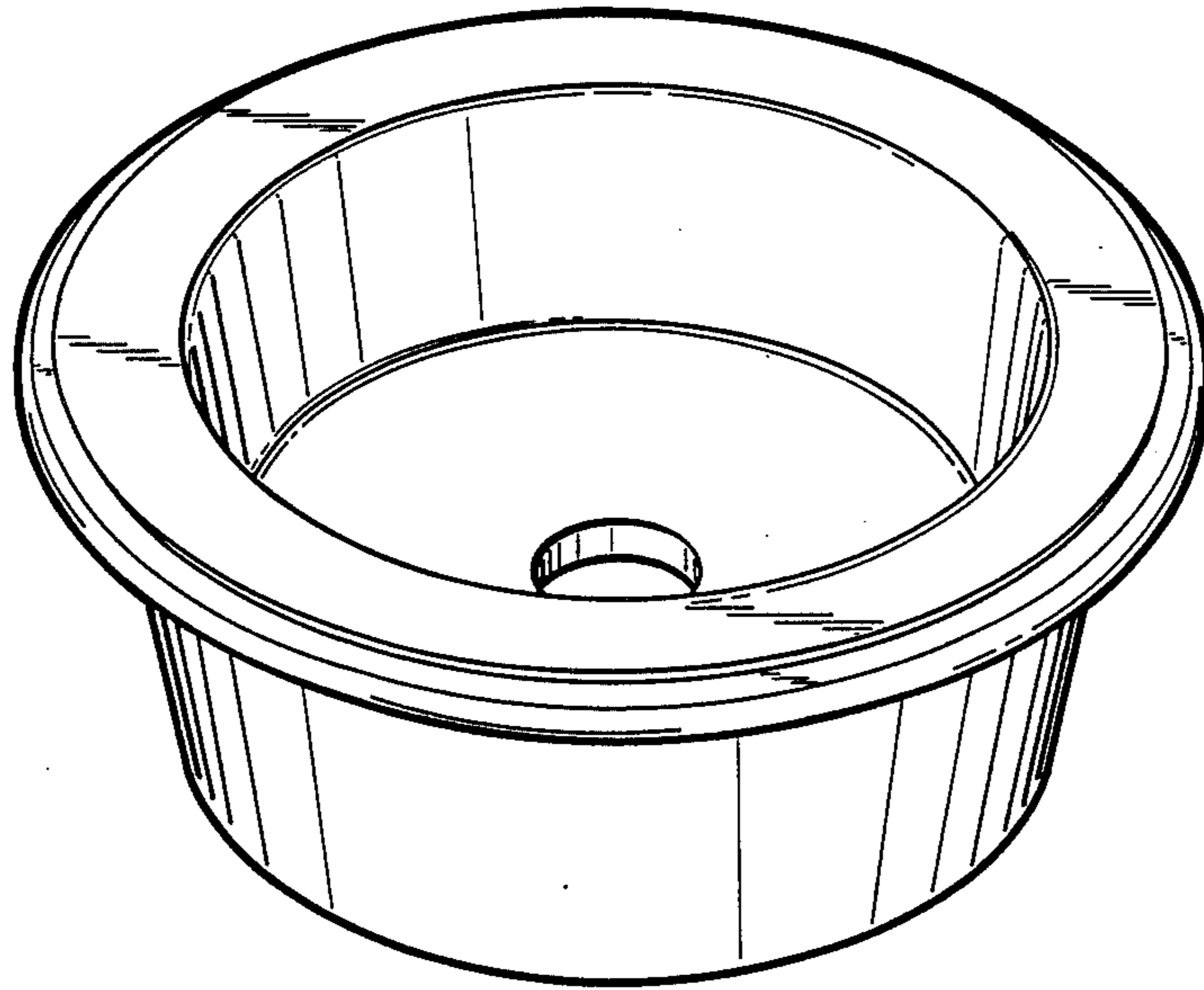
The ornamental design for a basin, as shown and de-
scribed.

DESCRIPTION

FIG. 1 is a top perspective view of a basin showing my
new design;

FIG. 2 is a top plan view thereof; and

FIG. 3 is a side elevation view thereof with a portion
shown in section for convenience of illustration.



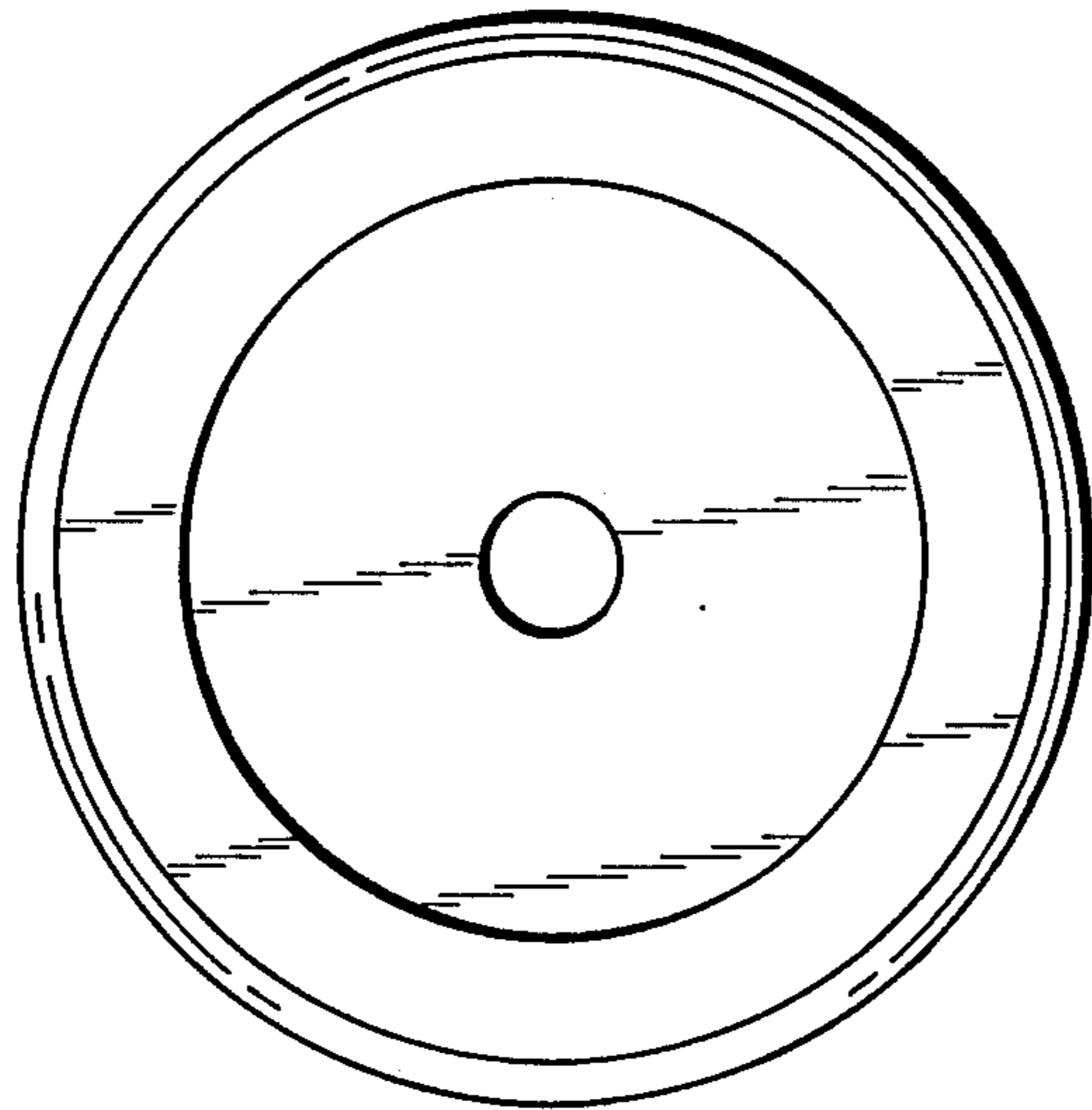


FIG. 2.

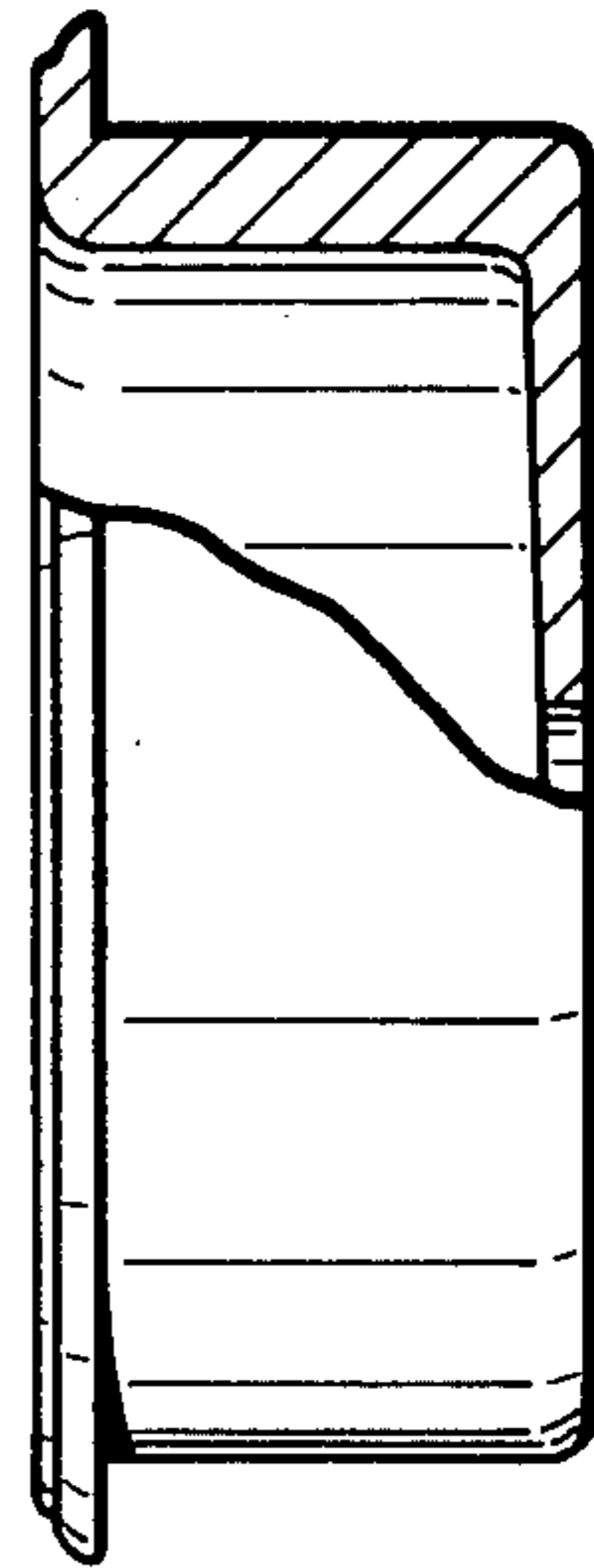


FIG. 3.

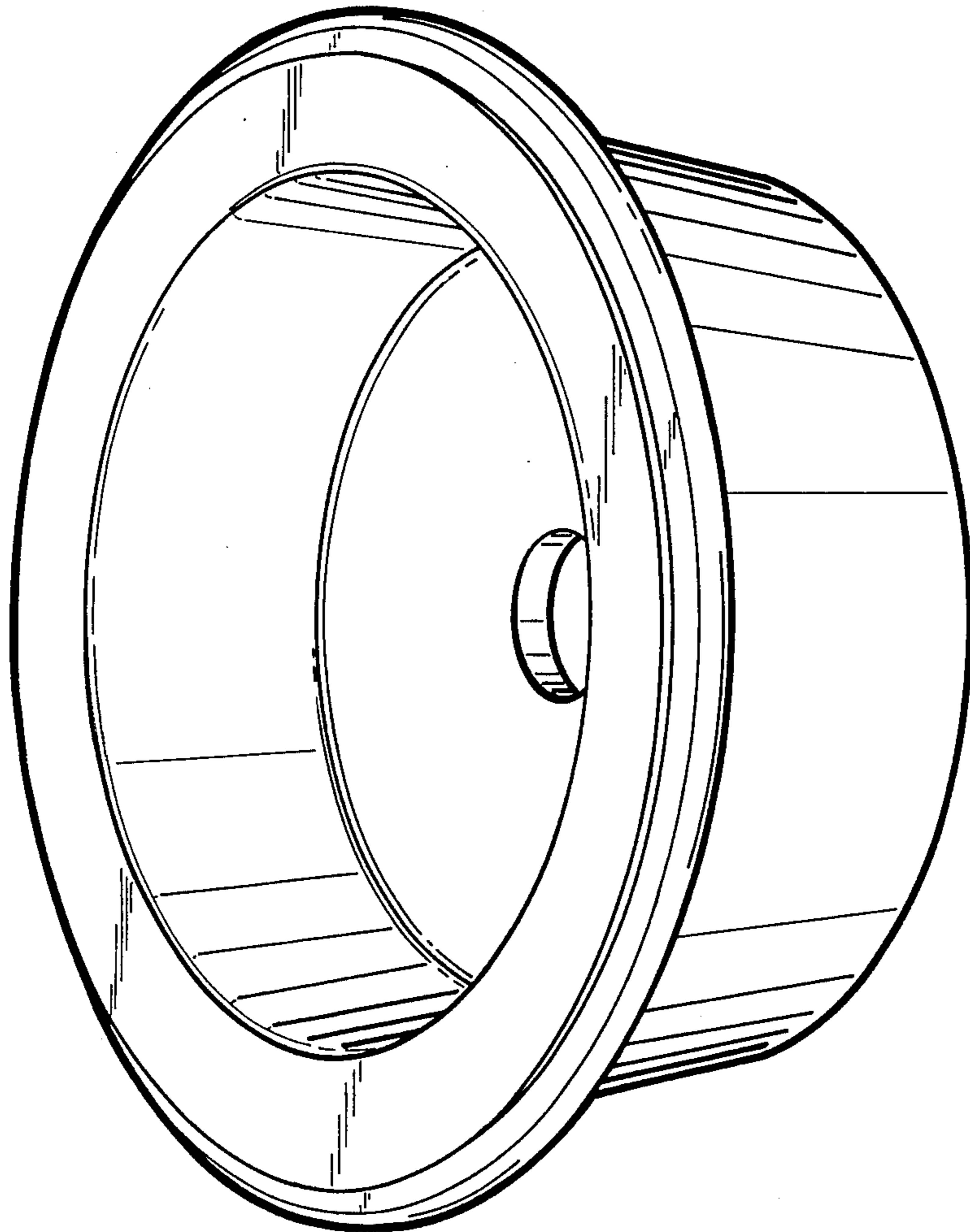


FIG. 1.