

[54] **FLUID SPRAY GUN**
[75] **Inventor: Ewald Kille, Friedrichshafen, Fed. Rep. of Germany**
[73] **Assignee: J. Wagner GmbH, Fed. Rep. of Germany**
[**] **Term: 14 Years**
[21] **Appl. No.: 139,244**
[22] **Filed: Dec. 29, 1987**

D. 268,778 4/1983 Moon D23/225
D. 284,988 8/1986 Powell D23/223
3,899,134 8/1975 Wagner 239/332

OTHER PUBLICATIONS

Hardware Age, (Sep. 1983), p. 5, "EZ Paint'r".

Primary Examiner—Wallace R. Burke
Assistant Examiner—Brian N. Vinson
Attorney, Agent, or Firm—Hill, Van Santen, Steadman & Simpson

Related U.S. Application Data
[62] Division of Ser. No. 840,724, Feb. 28, 1986.
[52] **U.S. Cl. D23/225**
[58] **Field of Search D23/213, 223-230;**
239/152-154, 288.3, 288.5, 302, 308-310, 318,
332, 337, 525-528, DIG. 14

[57] **CLAIM**
The ornamental design for a fluid spray gun, as shown and described.

[56] **References Cited**
U.S. PATENT DOCUMENTS
D. 251,602 4/1979 Widmer D23/225

DESCRIPTION
FIG. 1 is a right side elevational view of a fluid spray gun showing my new design;
FIG. 2 is a front elevational view thereof;
FIG. 3 is a top plane view thereof;
FIG. 4 is a rear elevational view thereof;
FIG. 5 is a left side elevational view thereof; and
FIG. 6 is a bottom plane view thereof.

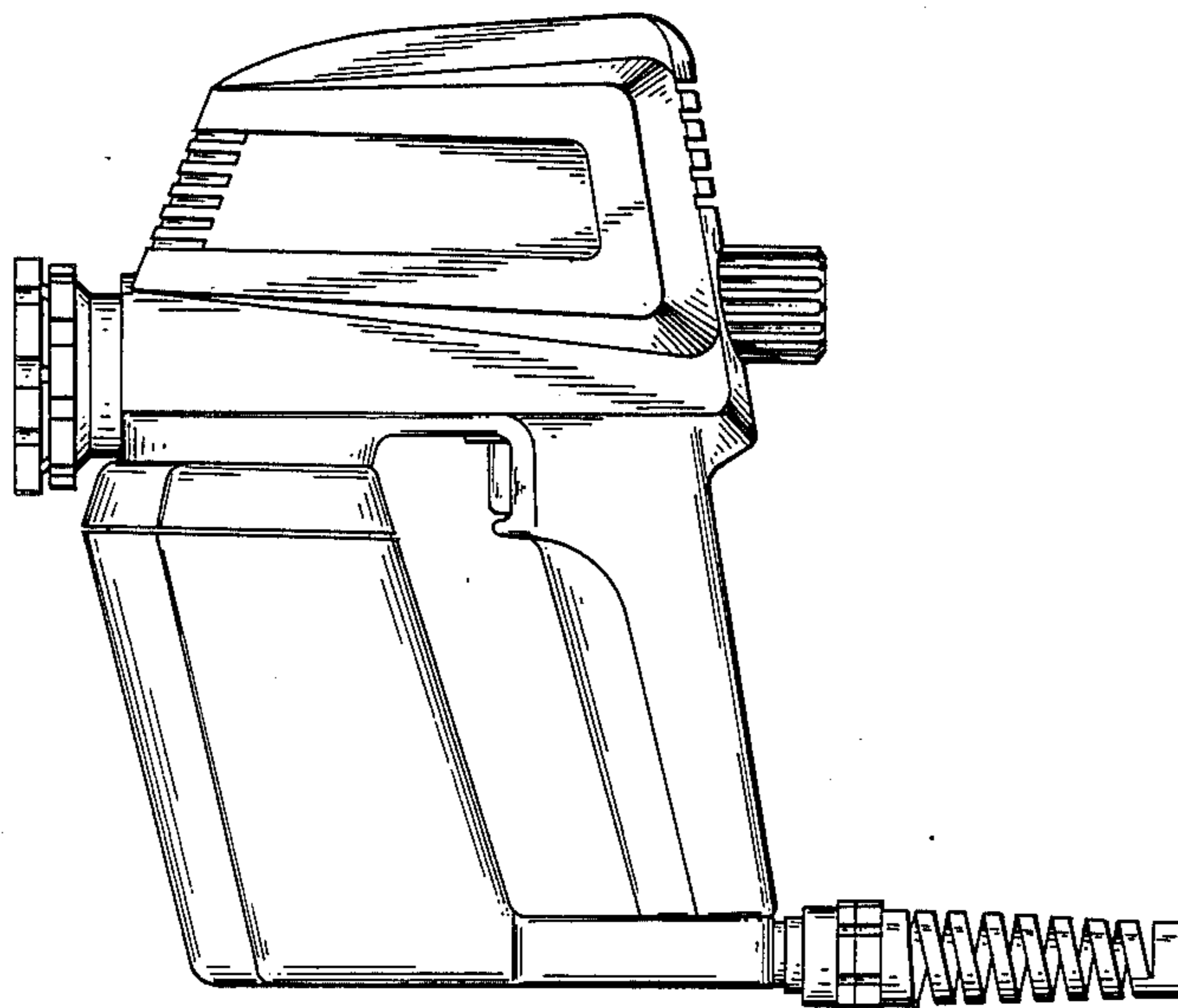


FIG. 1

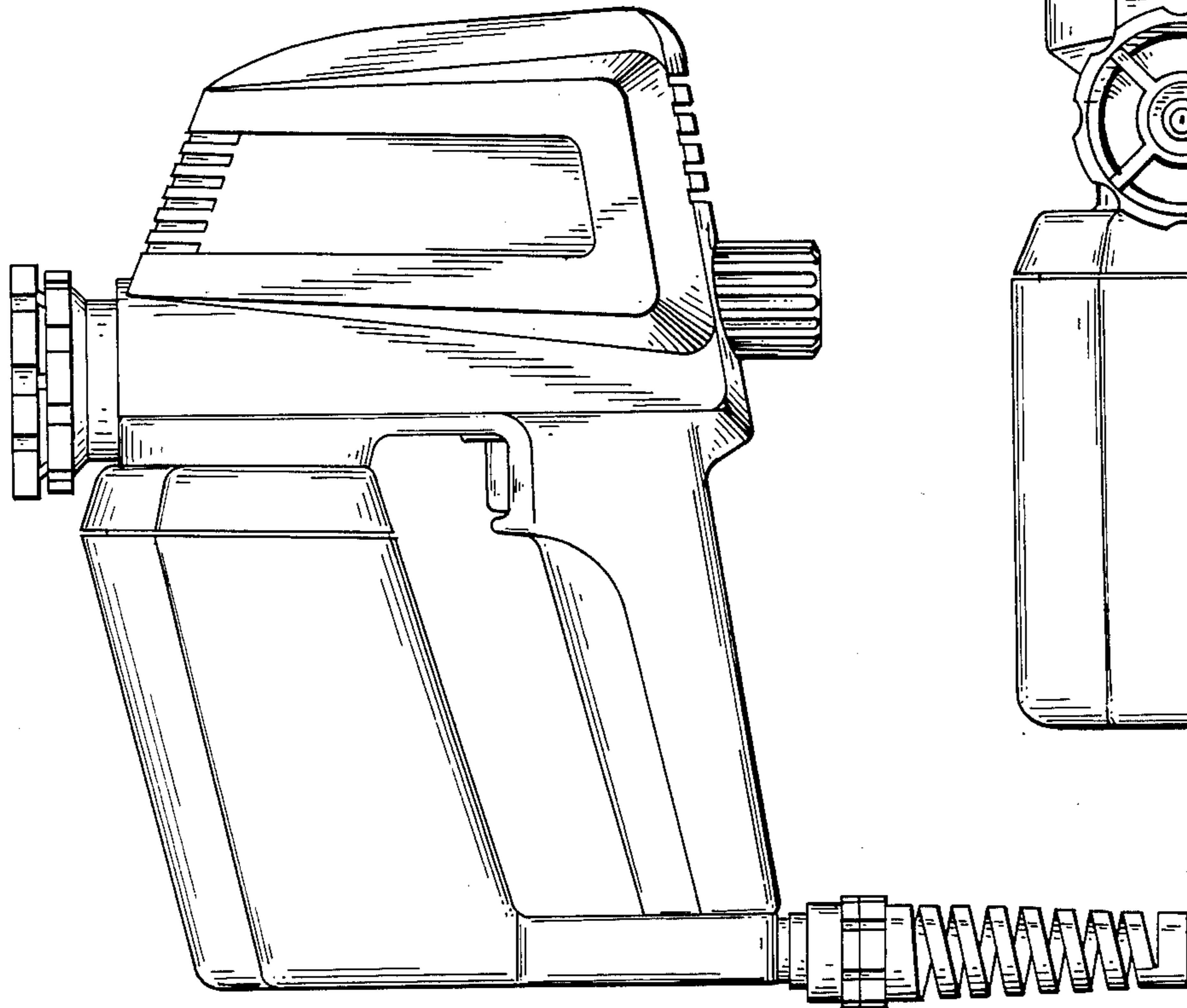


FIG. 2

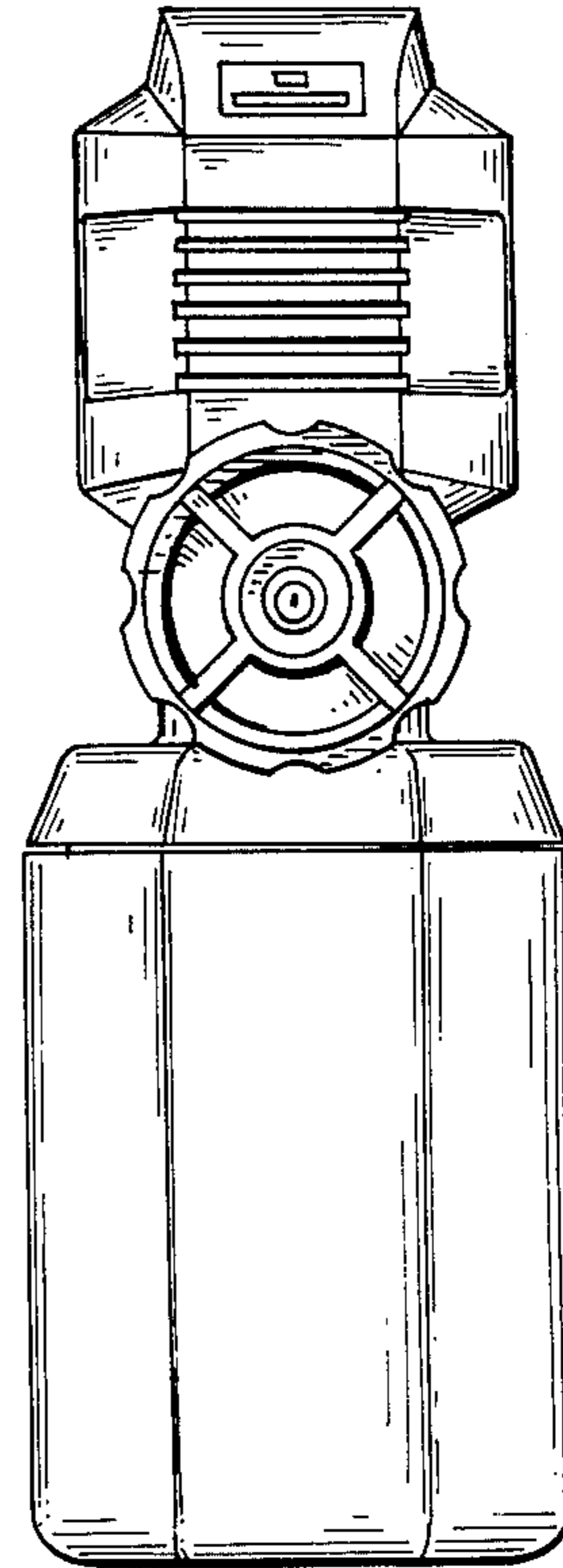


FIG. 3

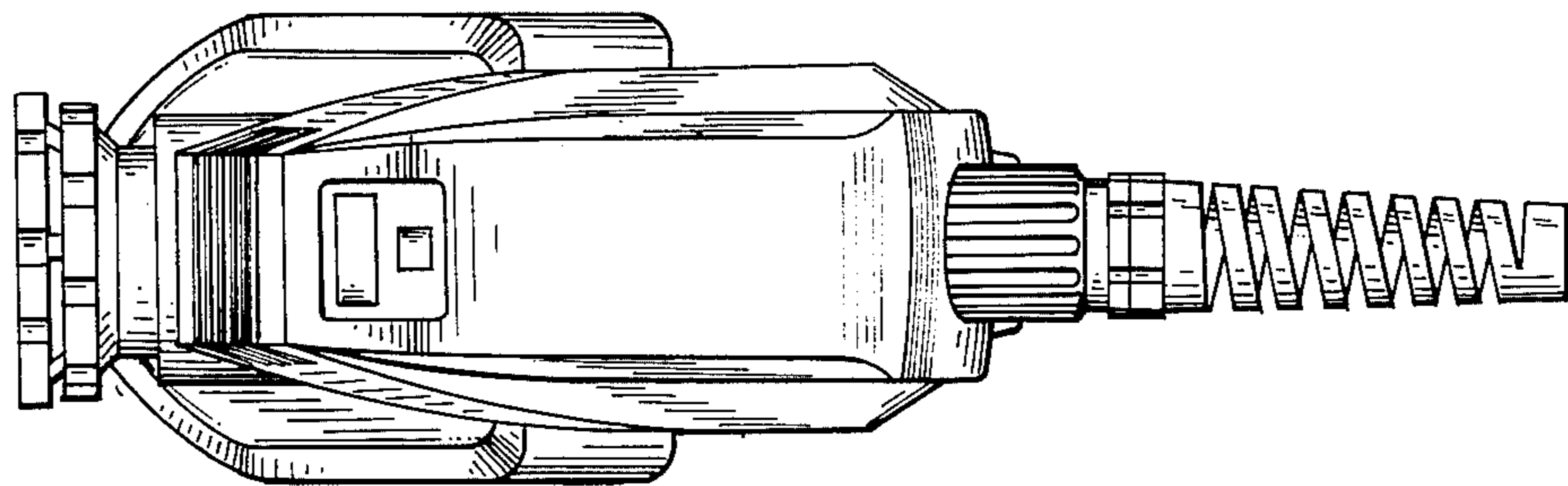


FIG. 4

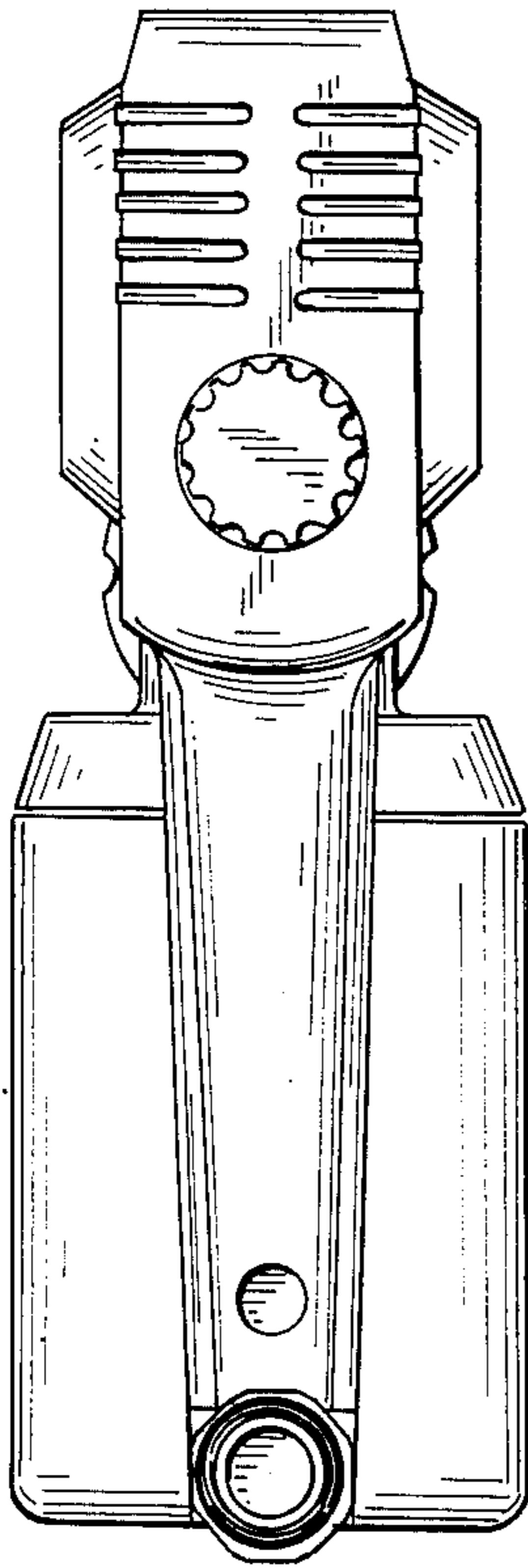


FIG. 5

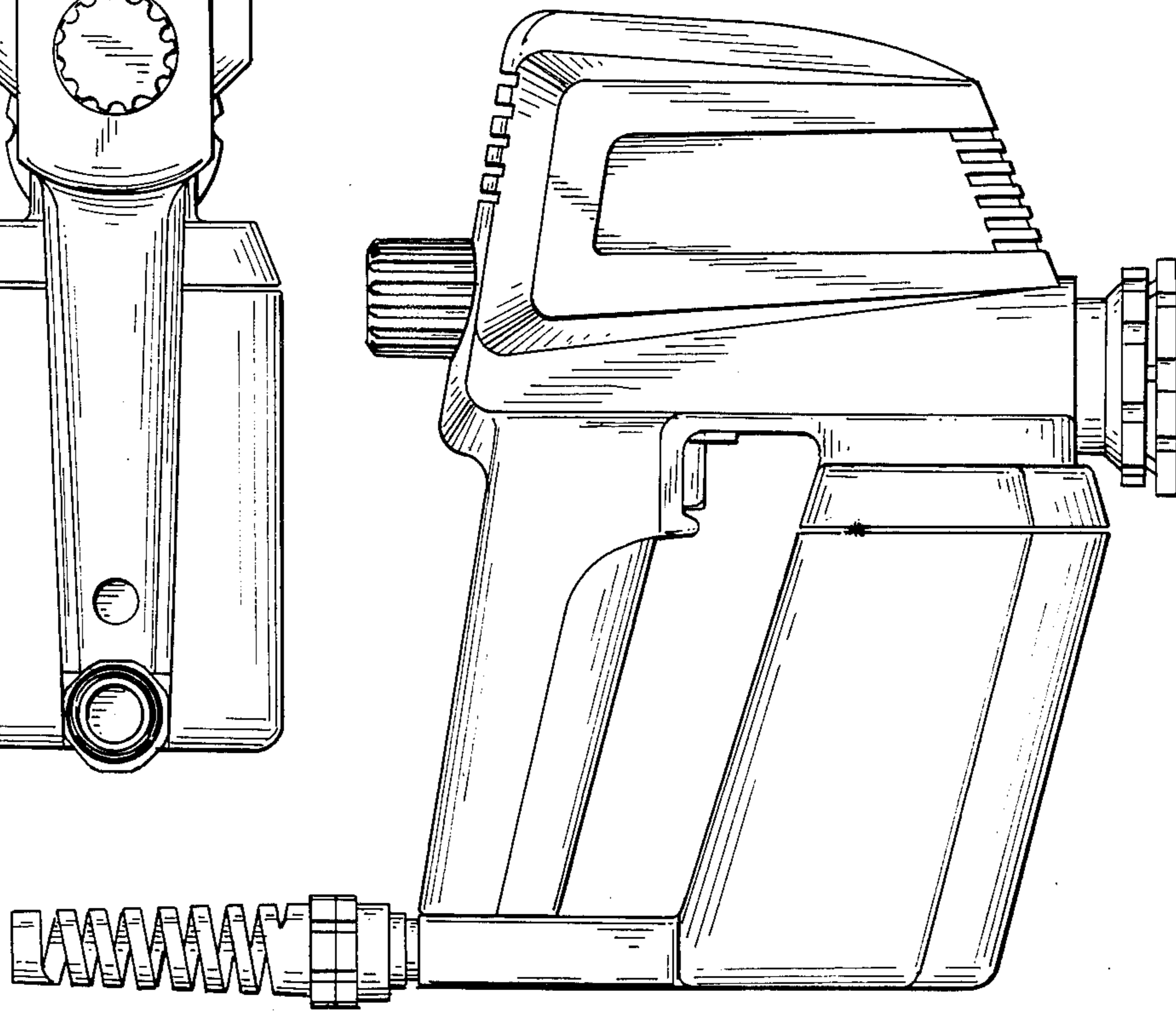


FIG. 6

