

United States Patent [19]

Thomas et al.

[11] Patent Number: **Des. 298,450**

[45] Date of Patent: **** Nov. 8, 1988**

[54] TANK
[75] Inventors: **Larry D. Thomas; David L. Waltke; Gary Gibson**, all of Beatrice, Nebr.
[73] Assignee: **Hoover Group, Inc.**, Roswell, Ga.
[**] Term: **14 Years**
[21] Appl. No.: **872,742**
[22] Filed: **Jun. 9, 1986**
[52] U.S. Cl. **D23/202**
[58] Field of Search **D23/1-3; 206/503, 509, 511, 515; 220/1 R, 1 B, 1.5, 3, 83-84, 401**

4,050,604 9/1977 Flanders 220/83 X
4,398,653 8/1983 Daloisio 222/185
4,673,087 6/1987 Webb 206/503 X

Primary Examiner—Wallace R. Burke
Assistant Examiner—Brian N. Vinson
Attorney, Agent, or Firm—Harness, Dickey & Pierce

[57] CLAIM

The ornamental design for a tank, as shown and described.

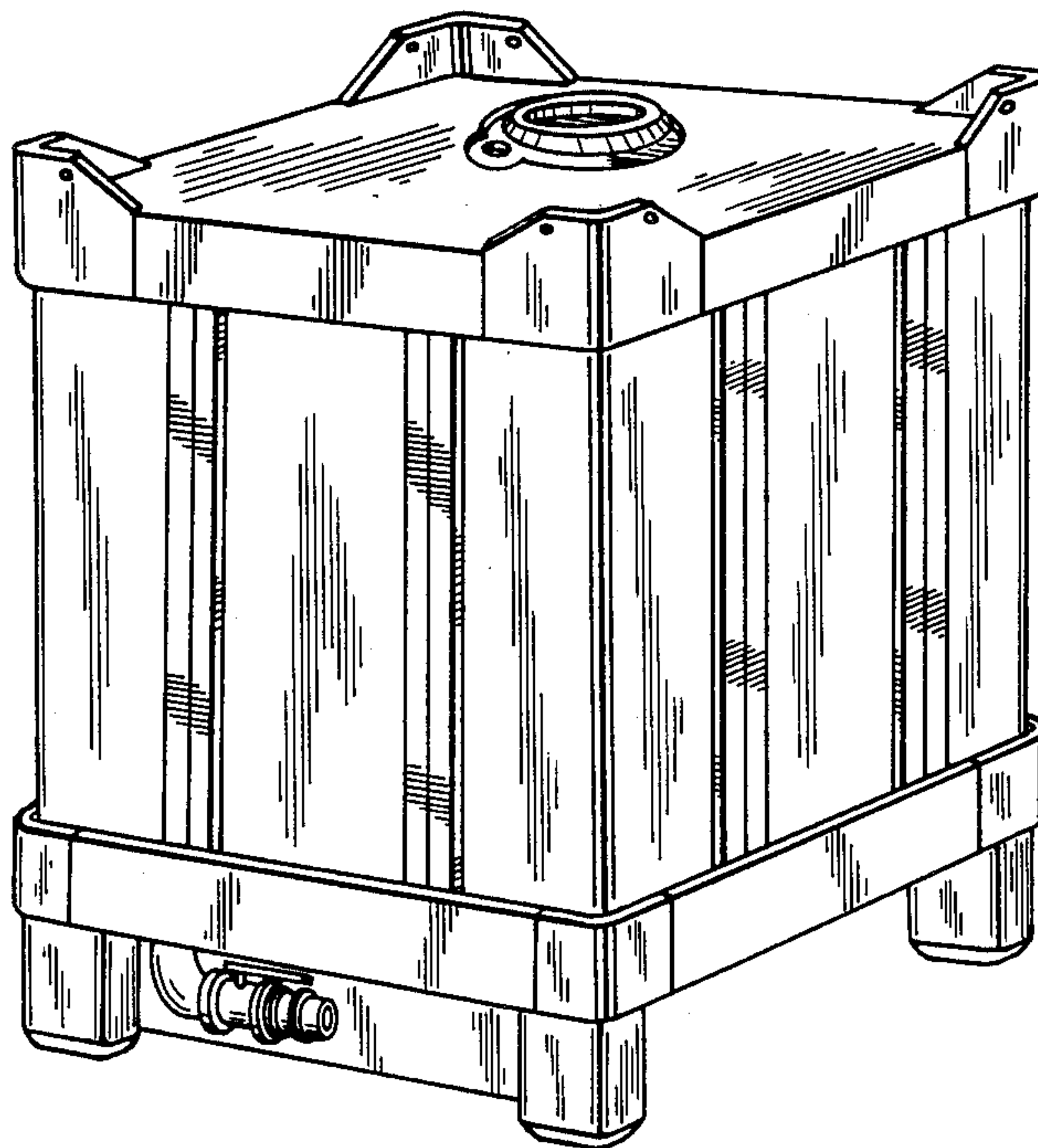
DESCRIPTION

FIG. 1 is a top, front and right side perspective view of a tank showing our new design;
FIG. 2 is a right side elevational view thereof;
FIG. 3 is a front elevational view thereof;
FIG. 4 is a top plan view thereof;
FIG. 5 is a rear elevational view thereof;
FIG. 6 is a left side elevational view thereof; and
FIG. 7 is a bottom plan view thereof.

[56] References Cited

U.S. PATENT DOCUMENTS

D. 216,590 2/1970 Coleman D23/2
D. 273,703 5/1984 Moyse D23/2 X
D. 275,031 8/1984 Moyse D23/2 X



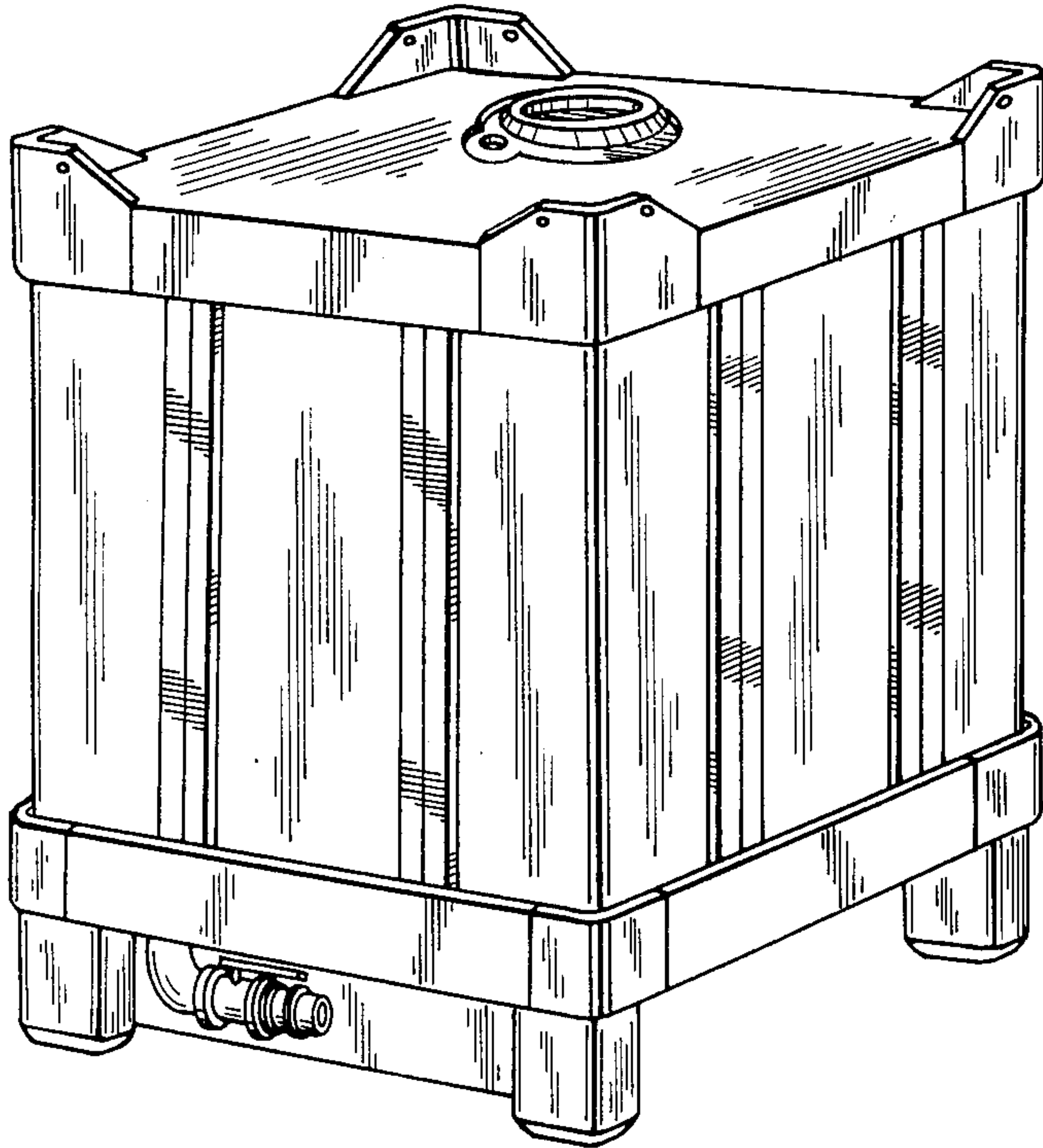


FIG. 1

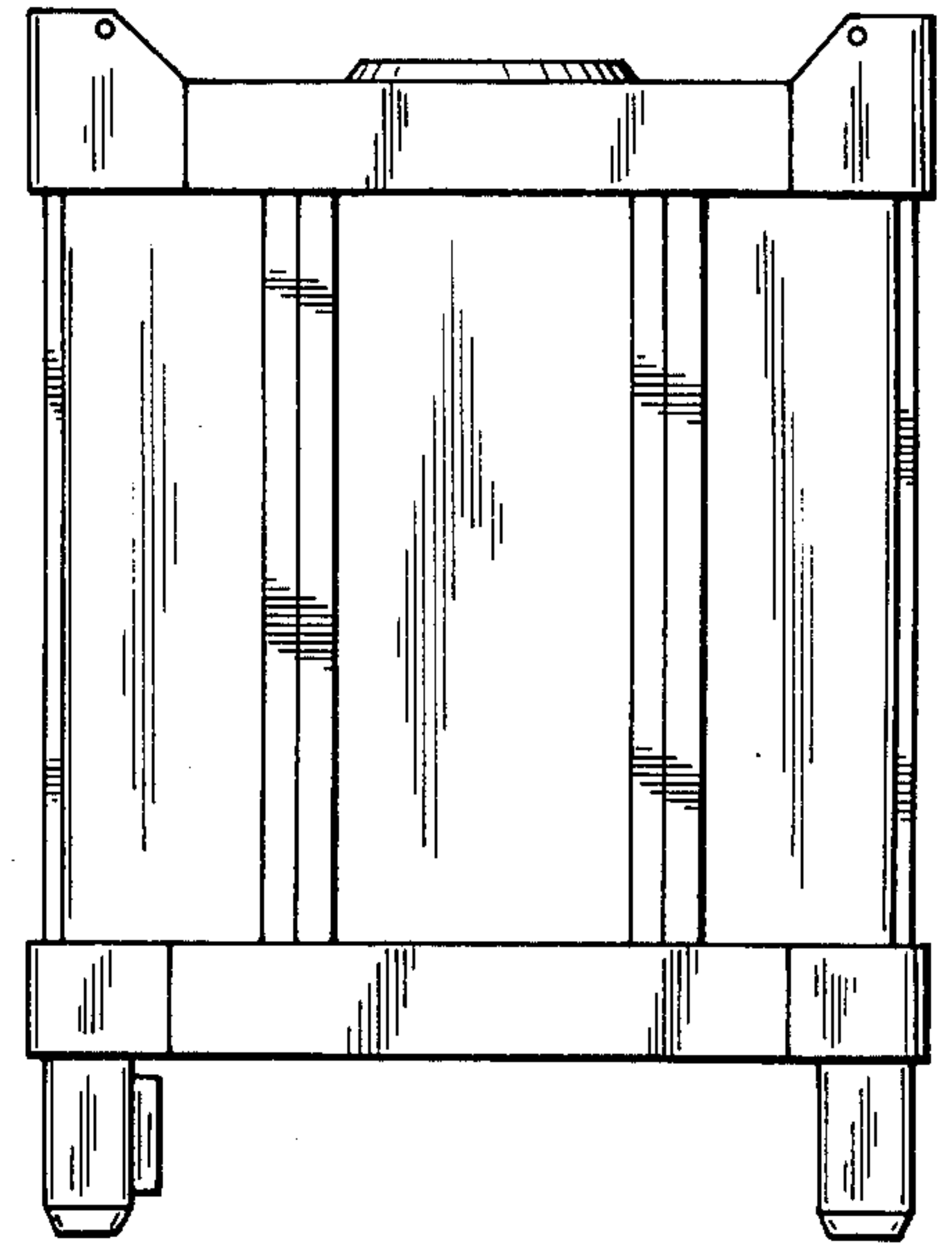


FIG. 2

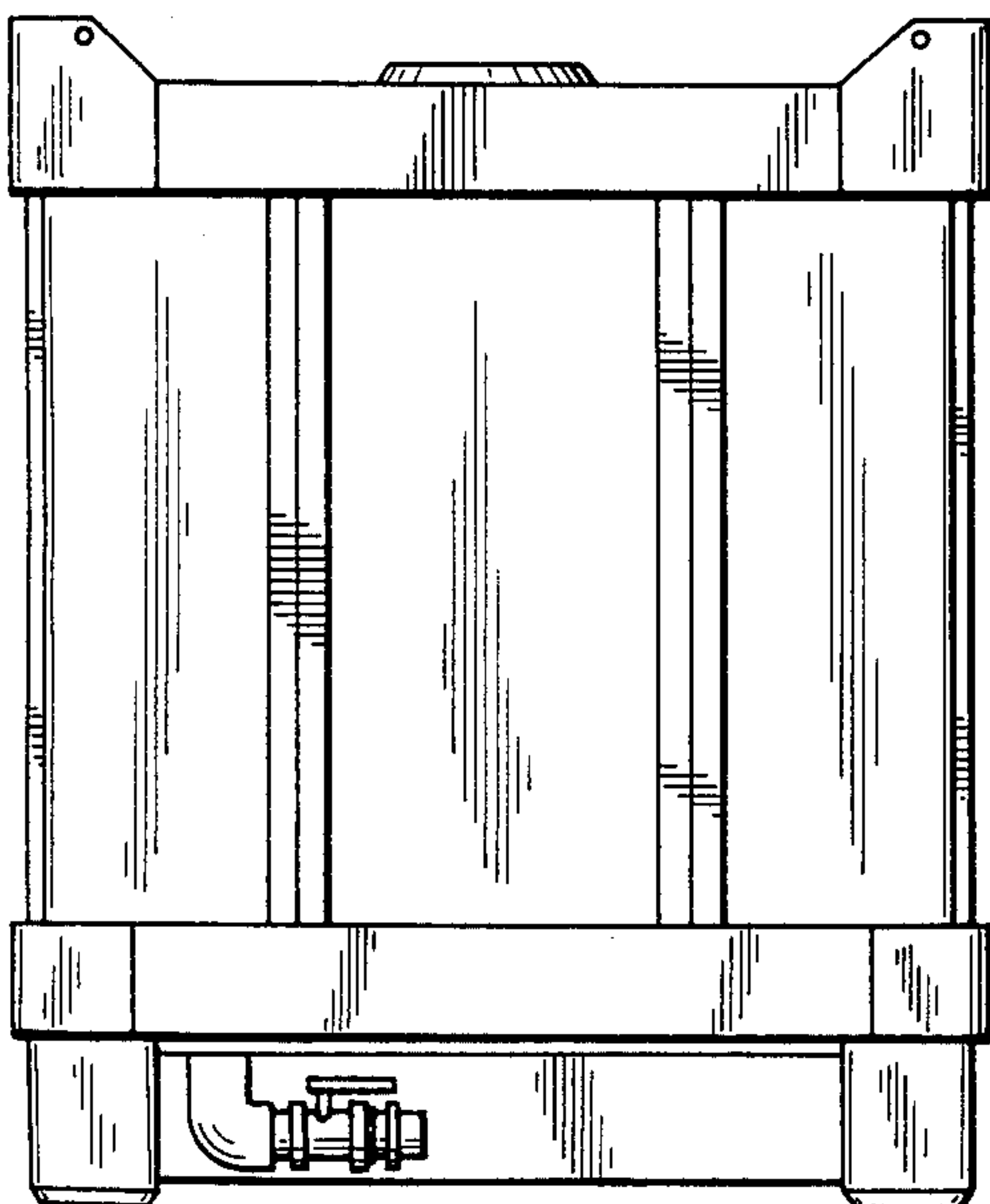


FIG. 3

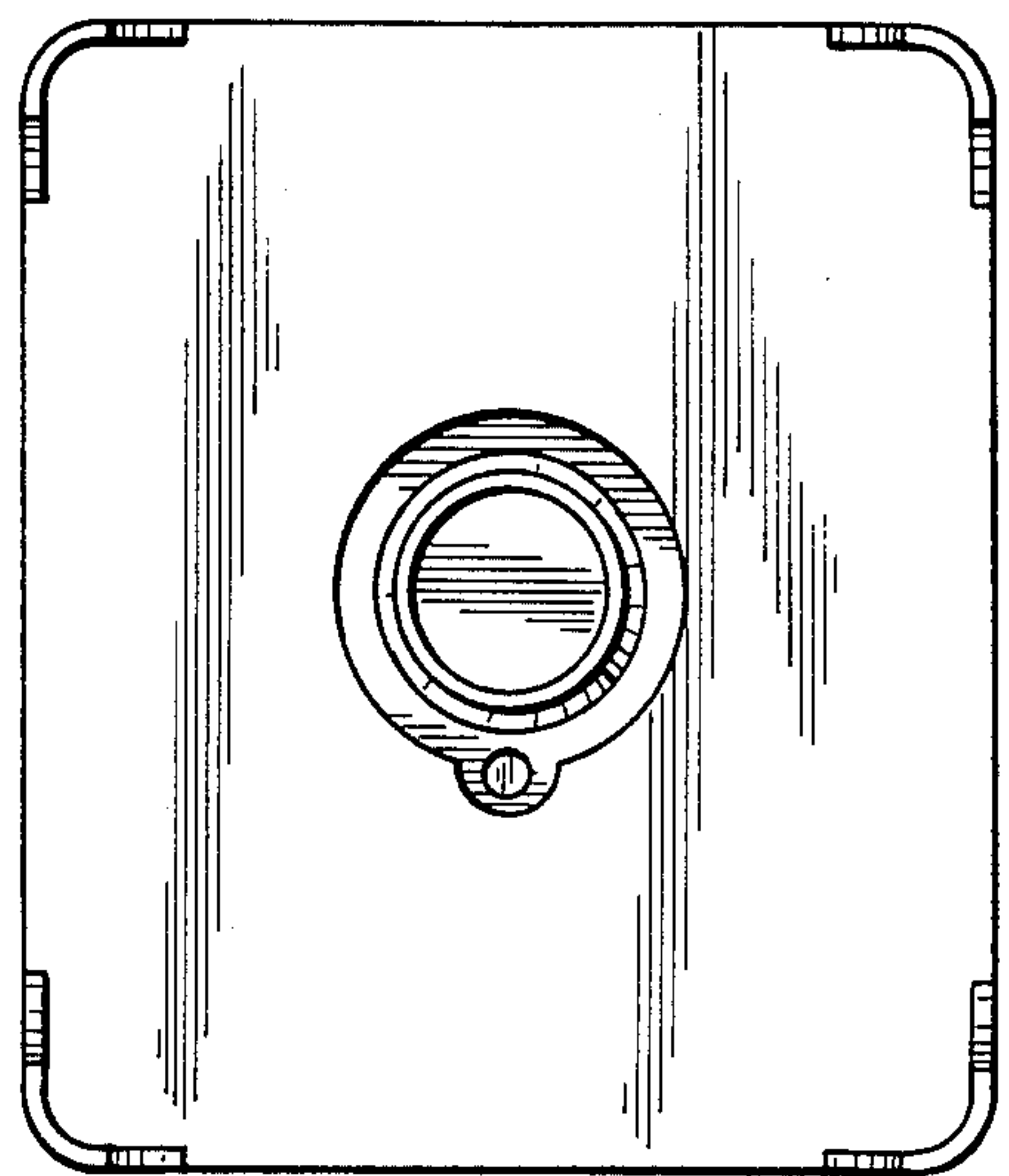


FIG. 4

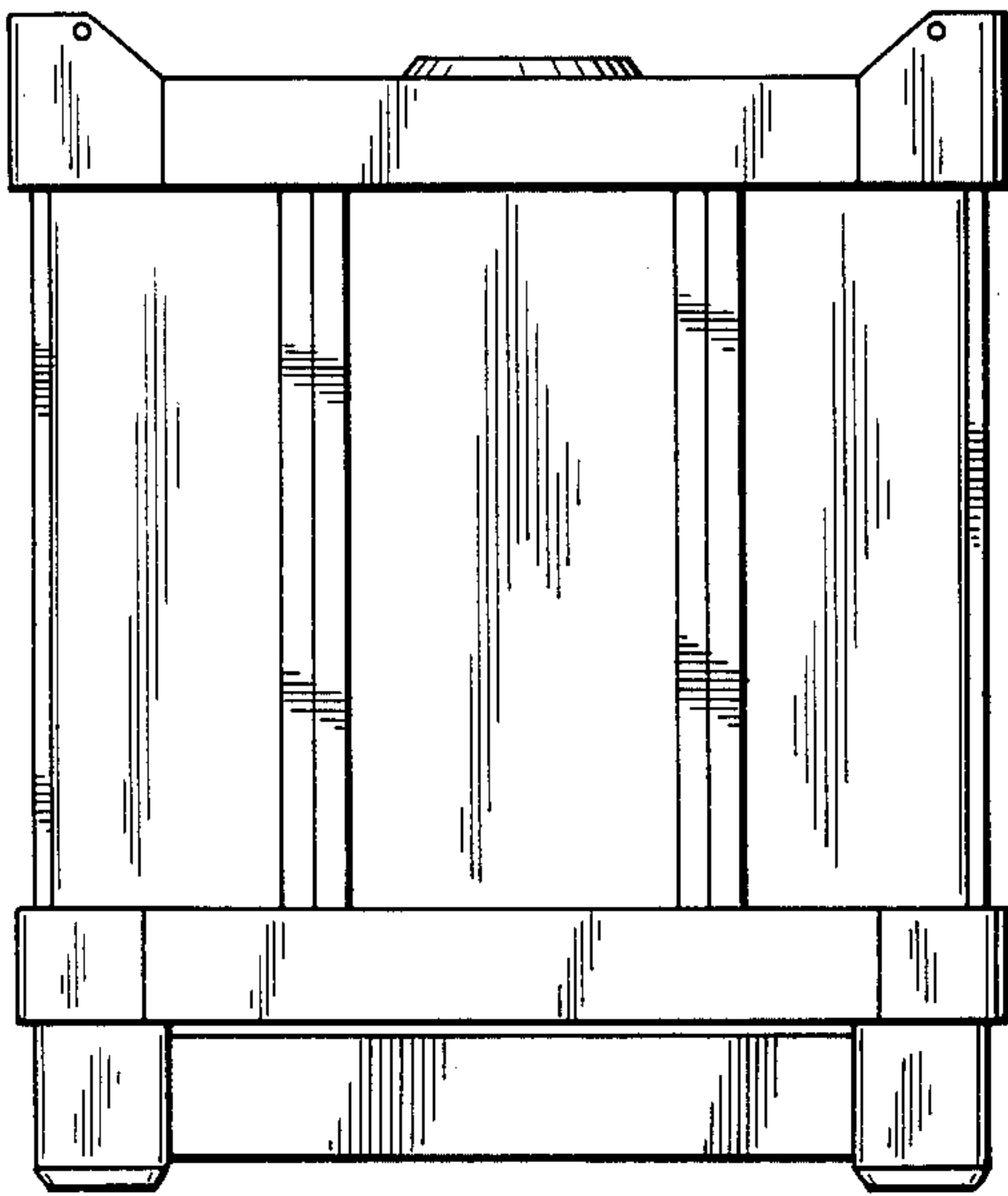


FIG. 5

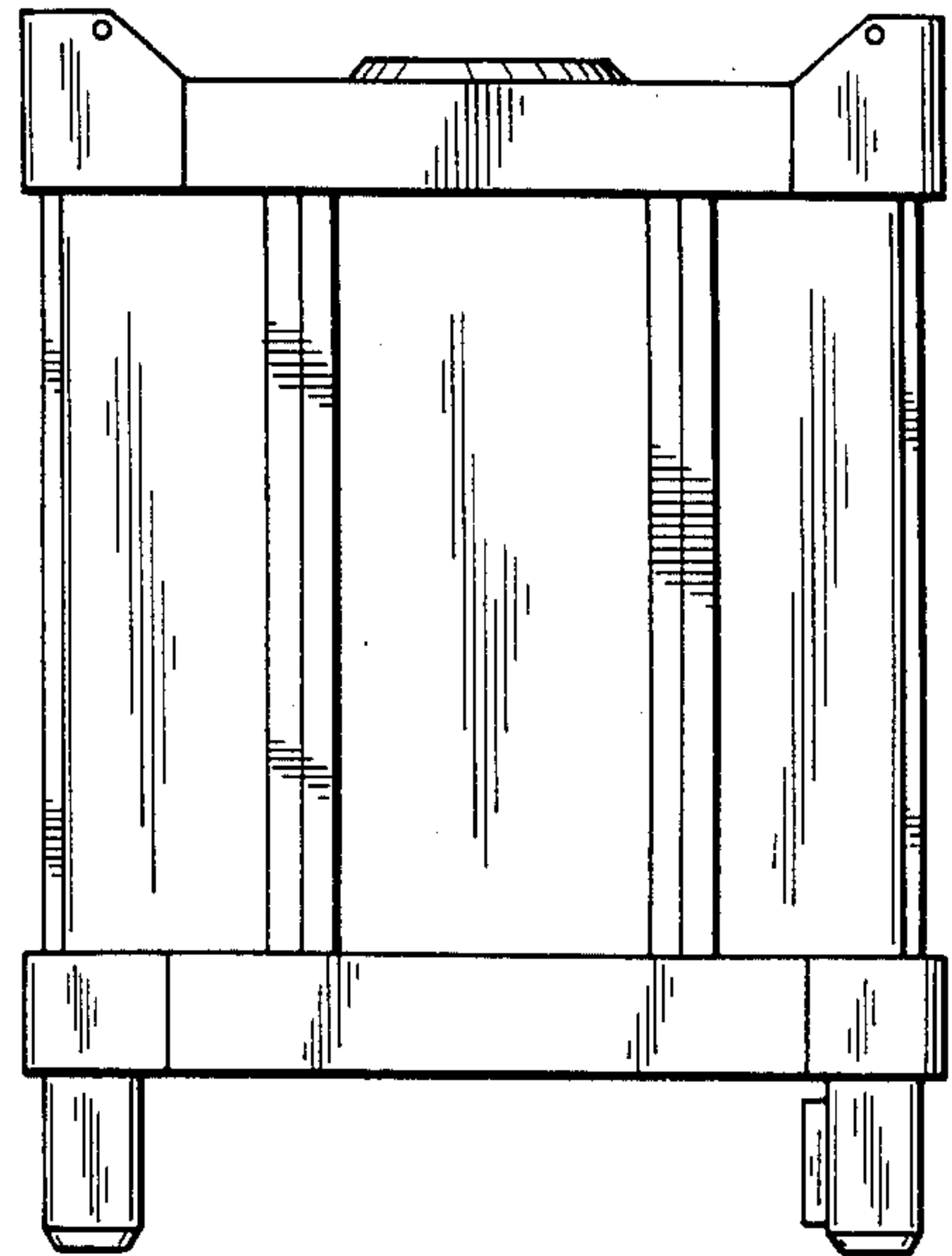


FIG. 6

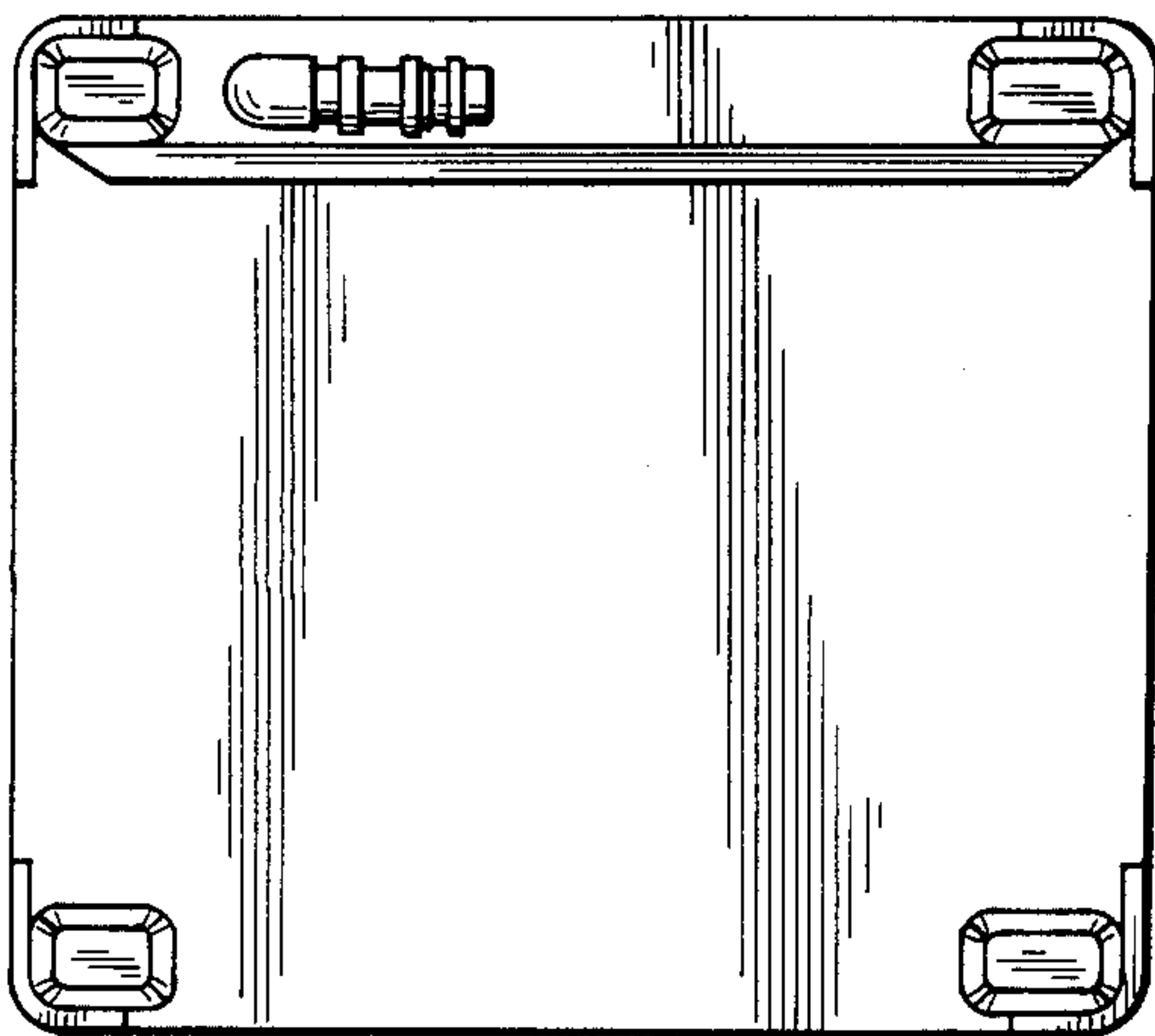


FIG. 7