

**United States Patent** [19]  
**Cook**

[11] **Patent Number: Des. 298,447**

[45] **Date of Patent: \*\* Nov. 8, 1988**

[54] **GOLF CLUB HEAD**

[75] **Inventor: Raymon W. Cook, San Antonio, Tex.**

[73] **Assignee: Affluent Golf Clubs, Inc., San Antonio, Tex.**

[\*\*] **Term: 14 Years**

[21] **Appl. No.: 735,143**

[22] **Filed: May 17, 1985**

[52] **U.S. Cl. .... D21/217**

[58] **Field of Search ..... D21/217-219;  
273/167-175, 164**

[56] **References Cited**

**U.S. PATENT DOCUMENTS**

D. 221,446 8/1971 Cook ..... D21/219

D. 235,152 5/1975 Mills ..... D21/217  
D. 271,783 12/1983 Simmons ..... D21/217

*Primary Examiner*—Melvin B. Feifer  
*Attorney, Agent, or Firm*—Thomas E. Sisson

[57] **CLAIM**

The ornamental design for a golf club head, as shown.

**DESCRIPTION**

FIG. 1 is a front face view of a golf club head showing my design.

FIG. 2 is a left side heel view thereof.

FIG. 3 is a bottom view thereof.

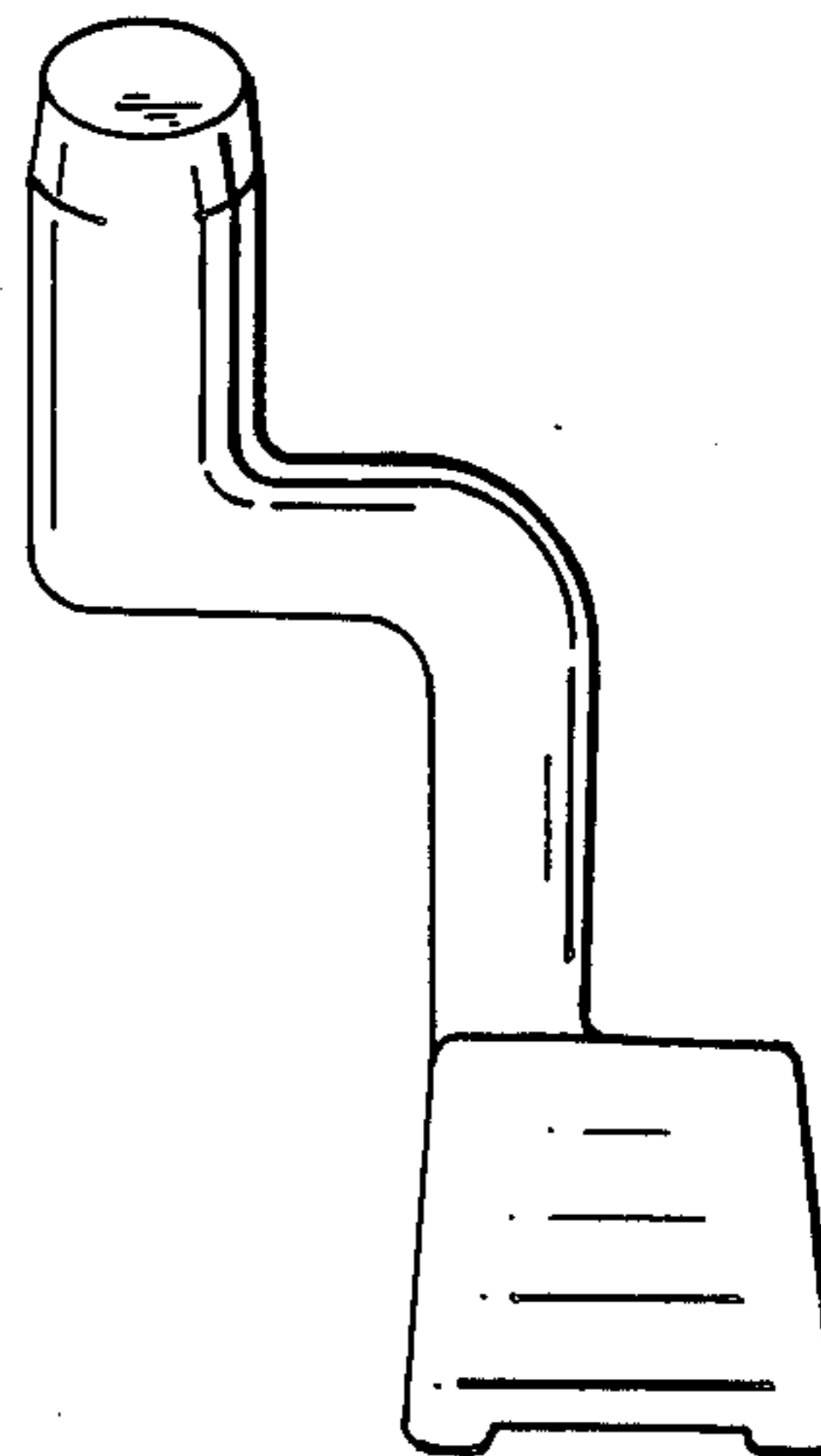
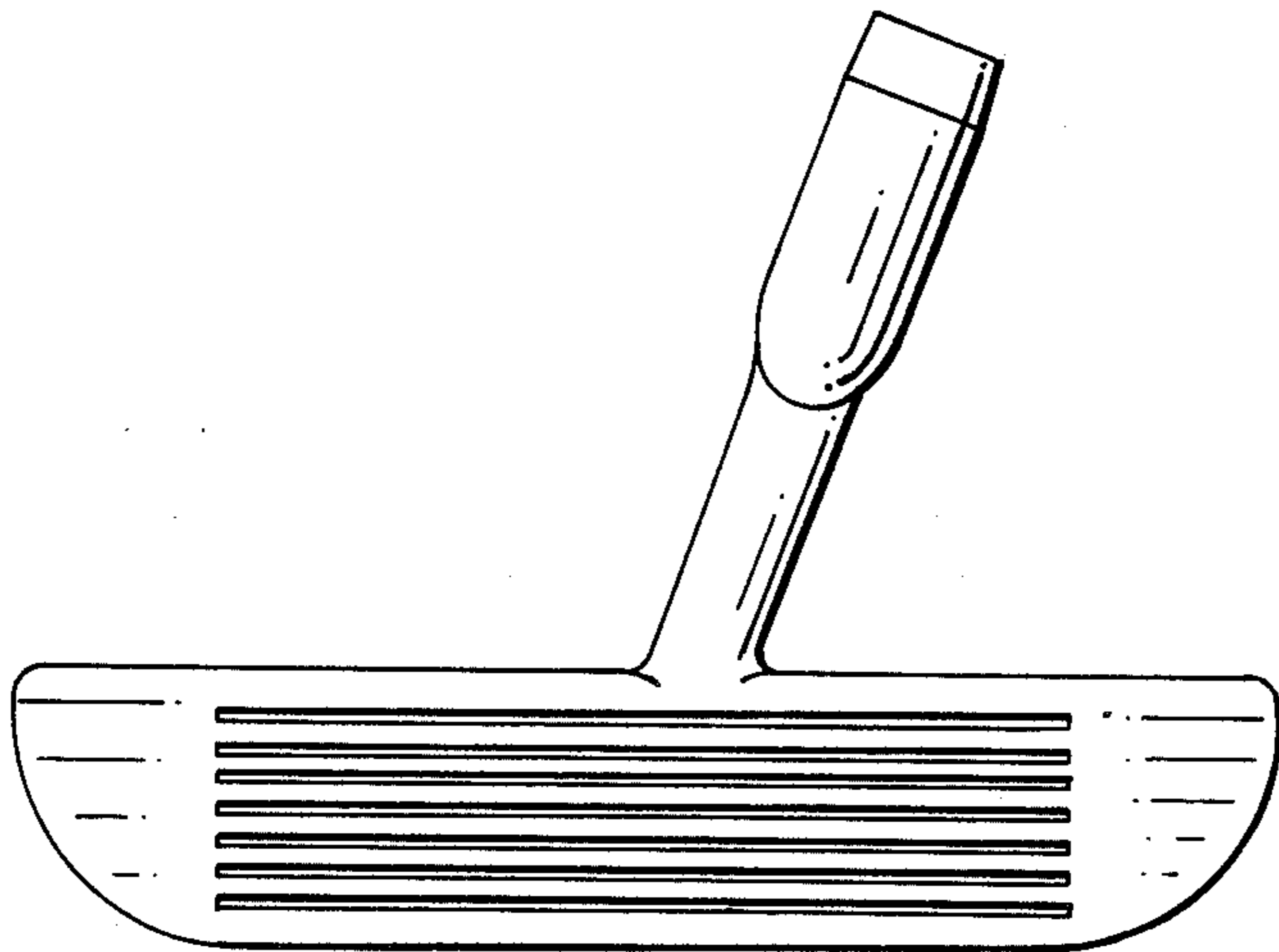
FIG. 4 is a front face perspective view thereof.

FIG. 5 is a top view thereof.

FIG. 6 is a back view thereof.

FIG. 7 is a right side toe view thereof.

FIG. 8 is a bottom perspective view thereof.



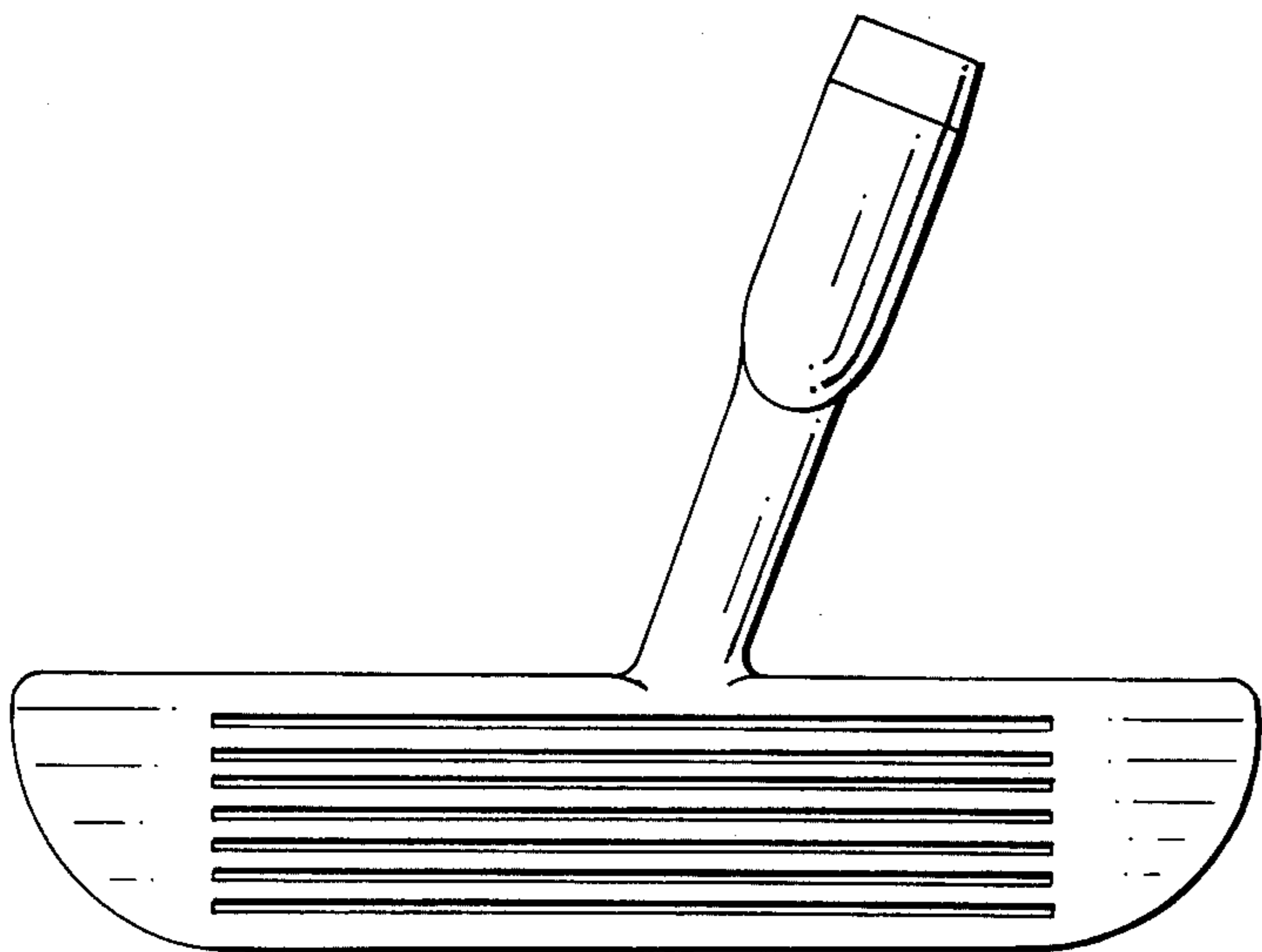


FIG. 1

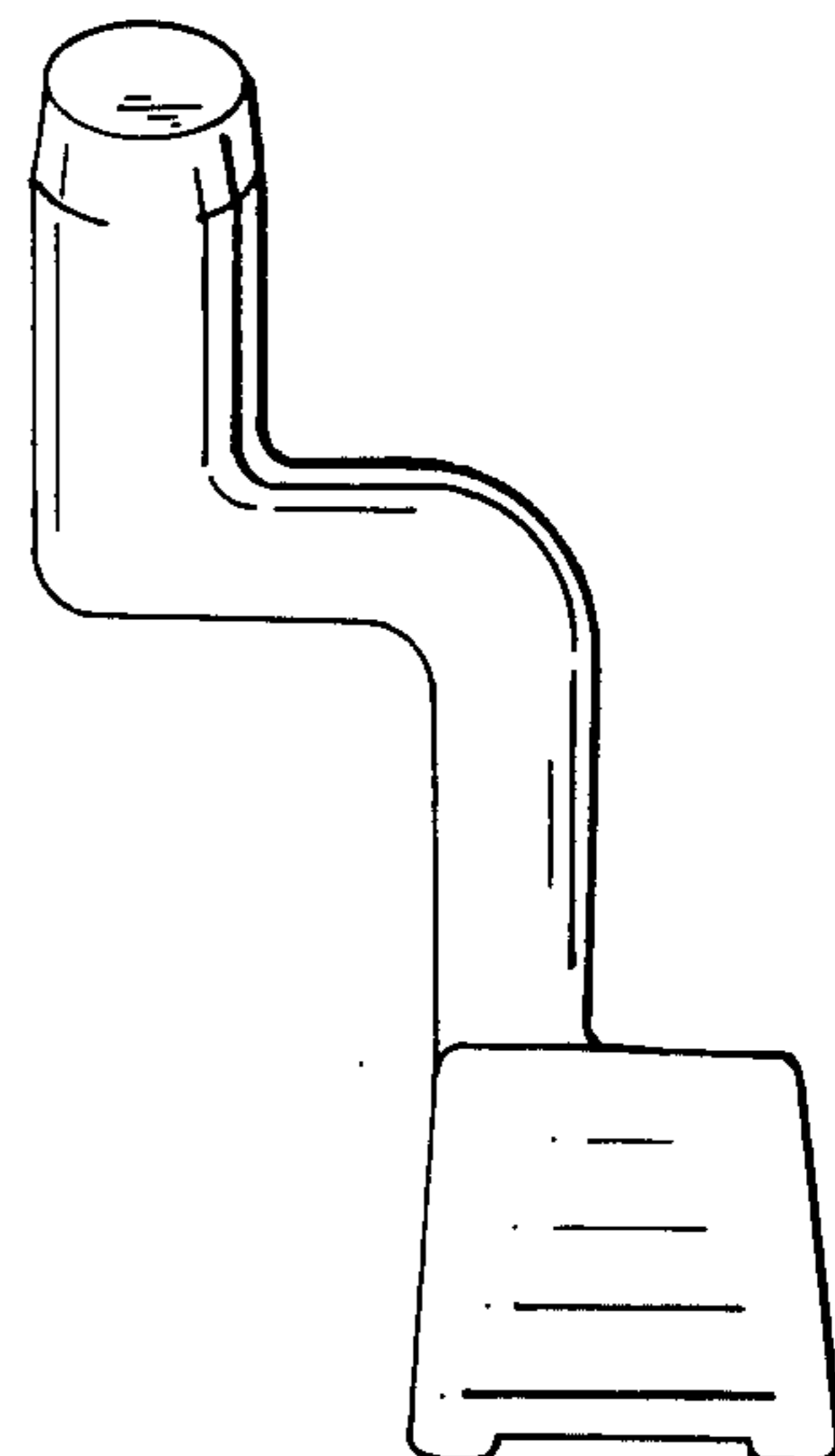


FIG. 2

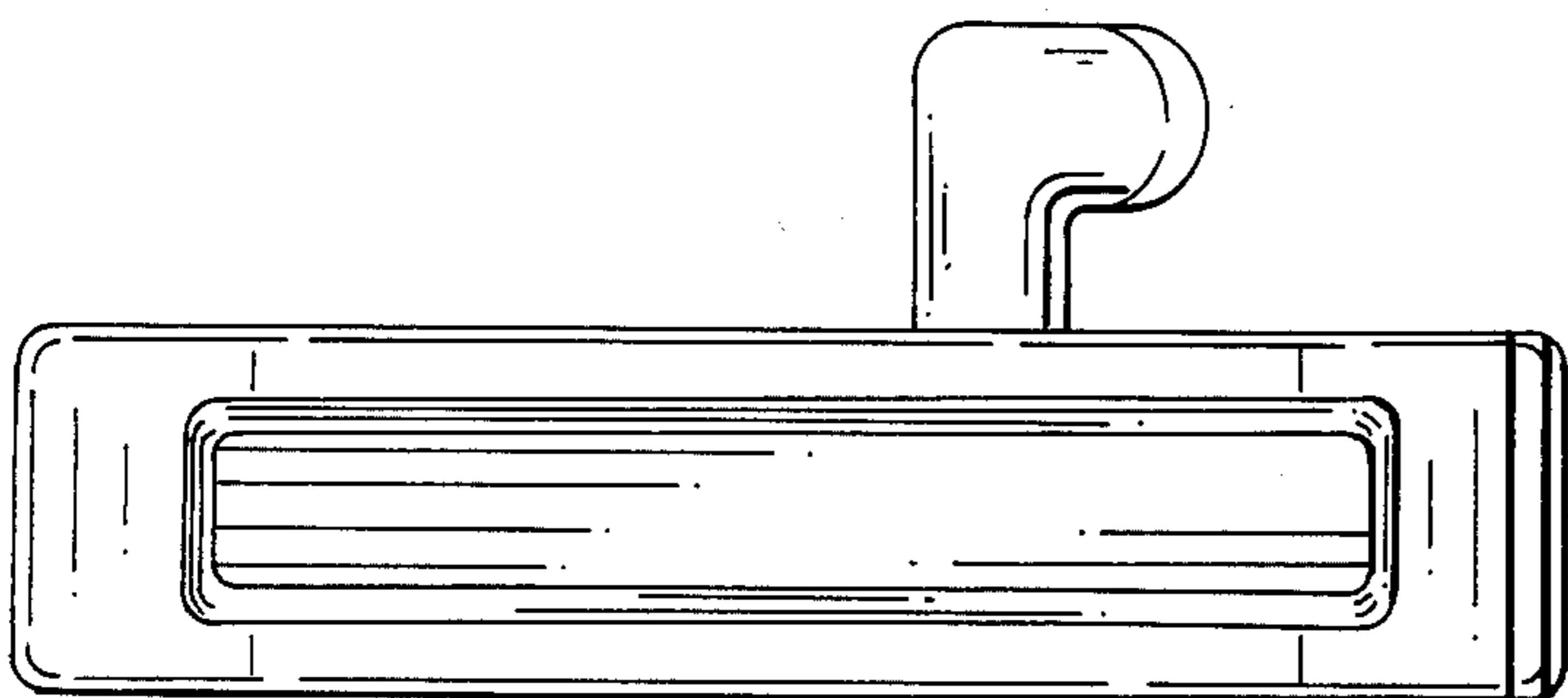


FIG. 3

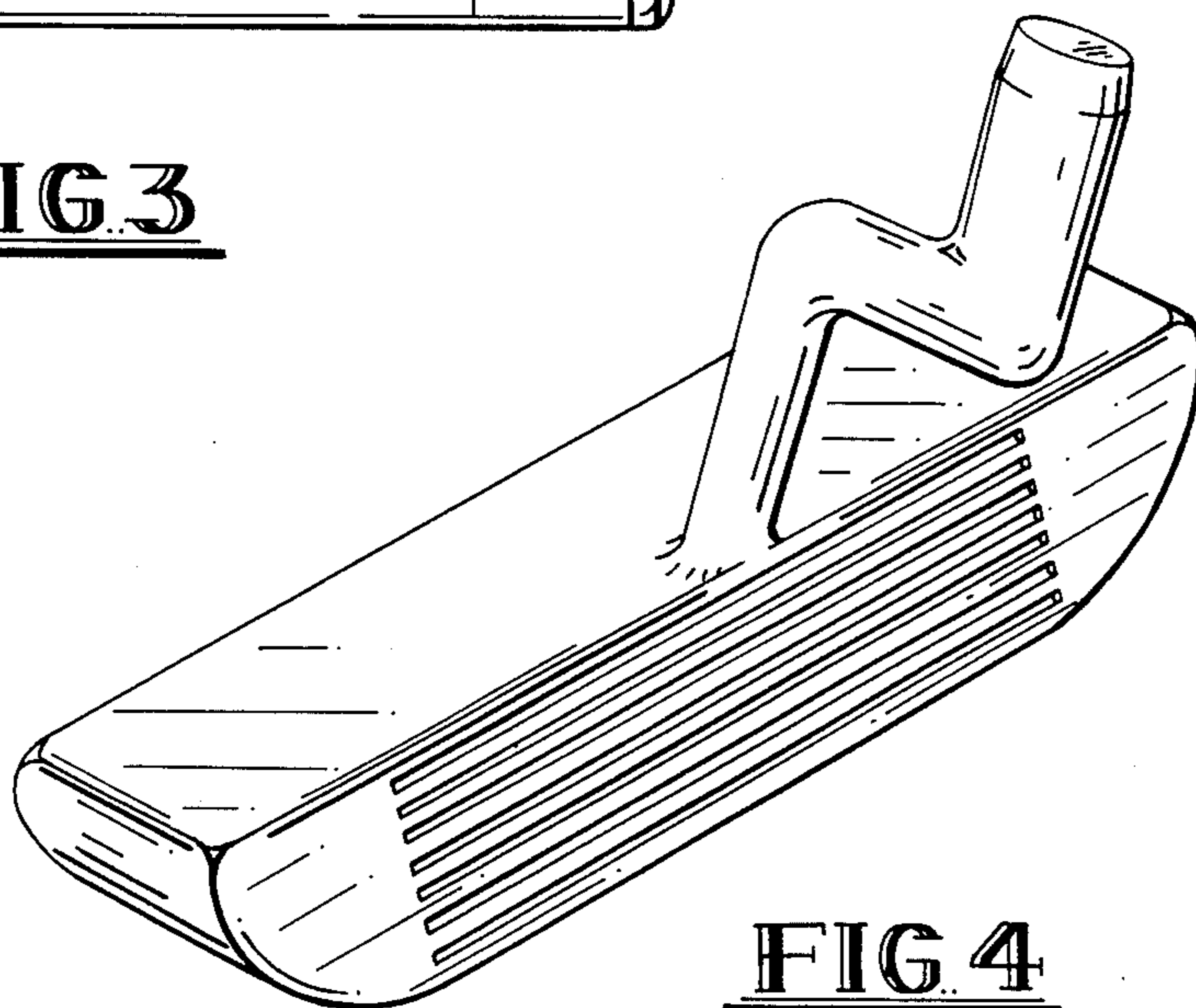


FIG. 4

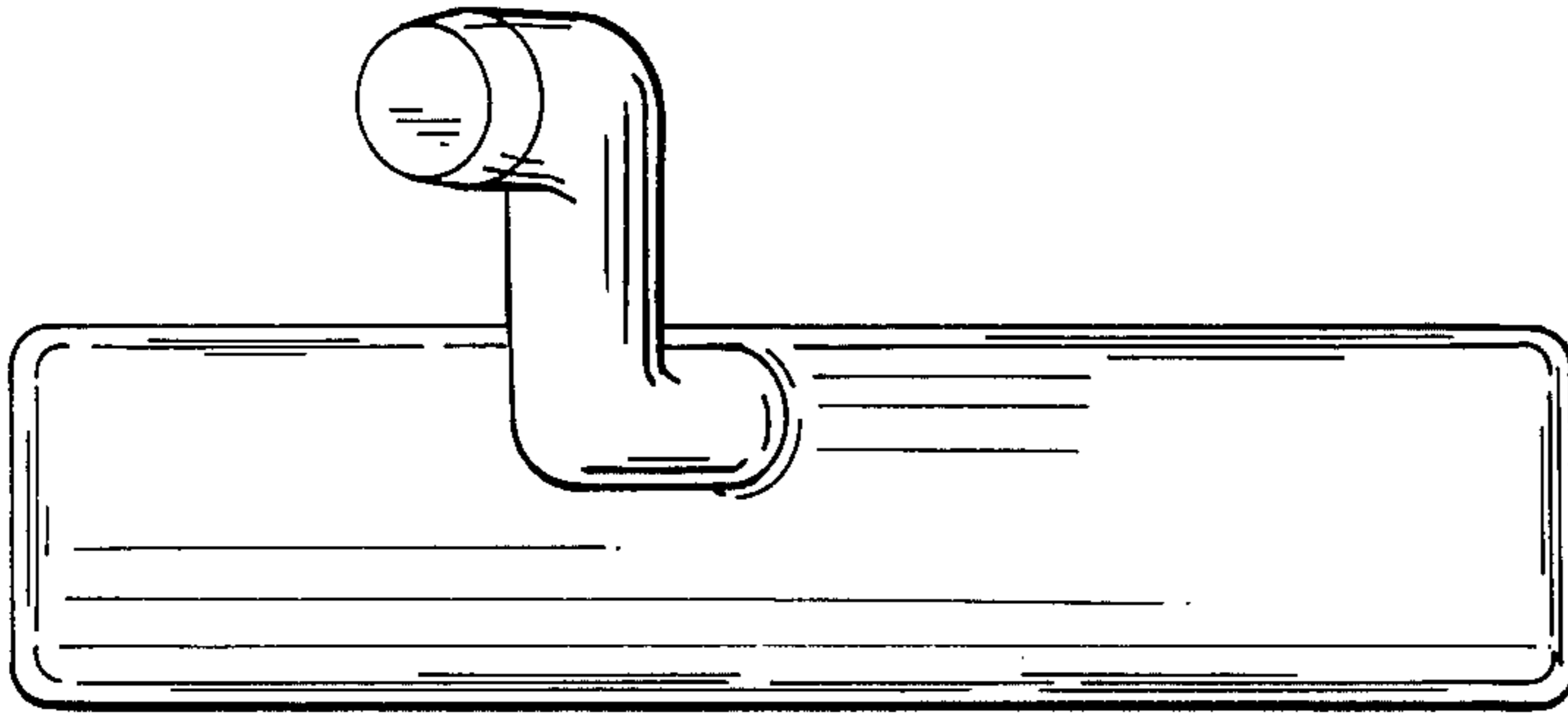


FIG. 5

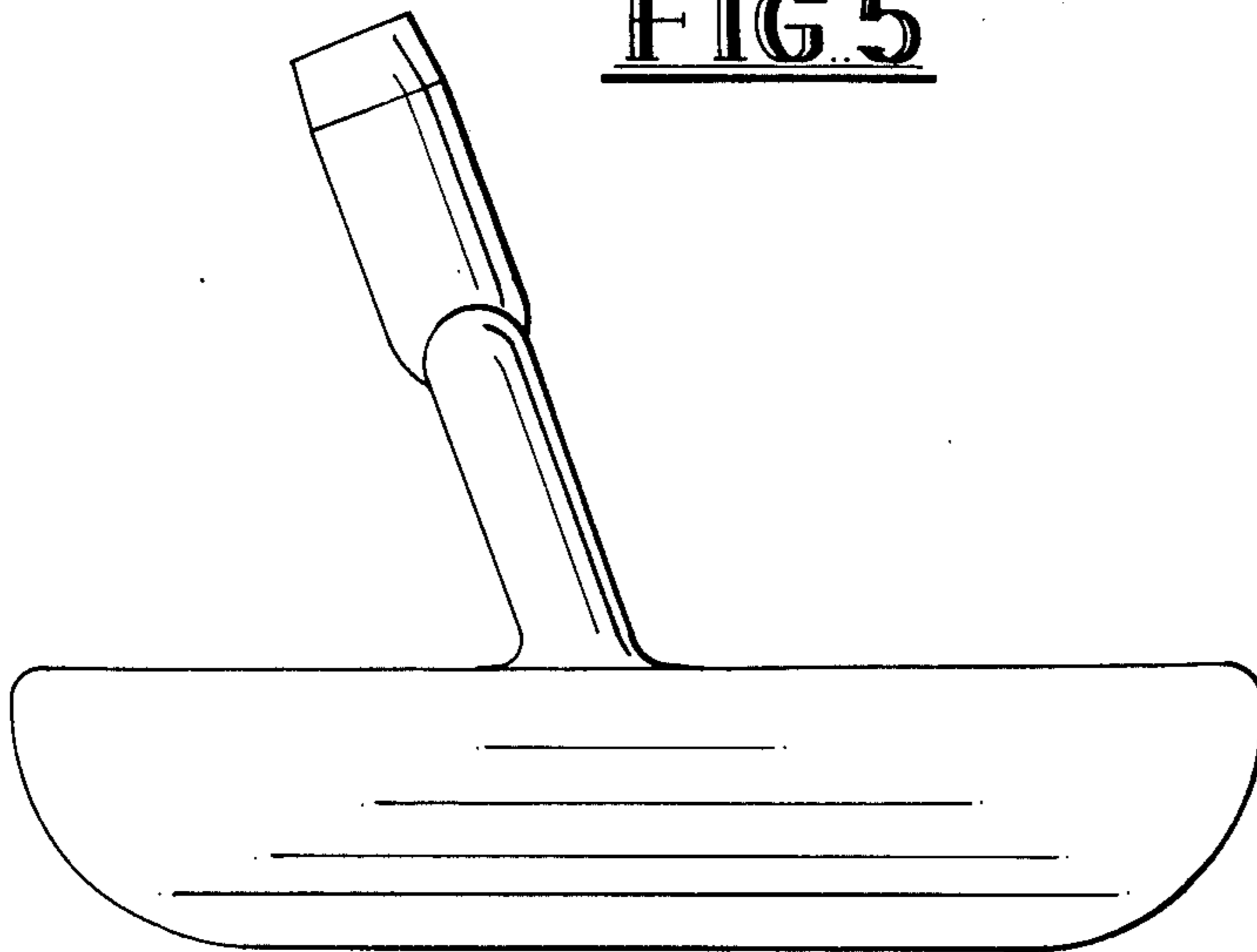


FIG. 6

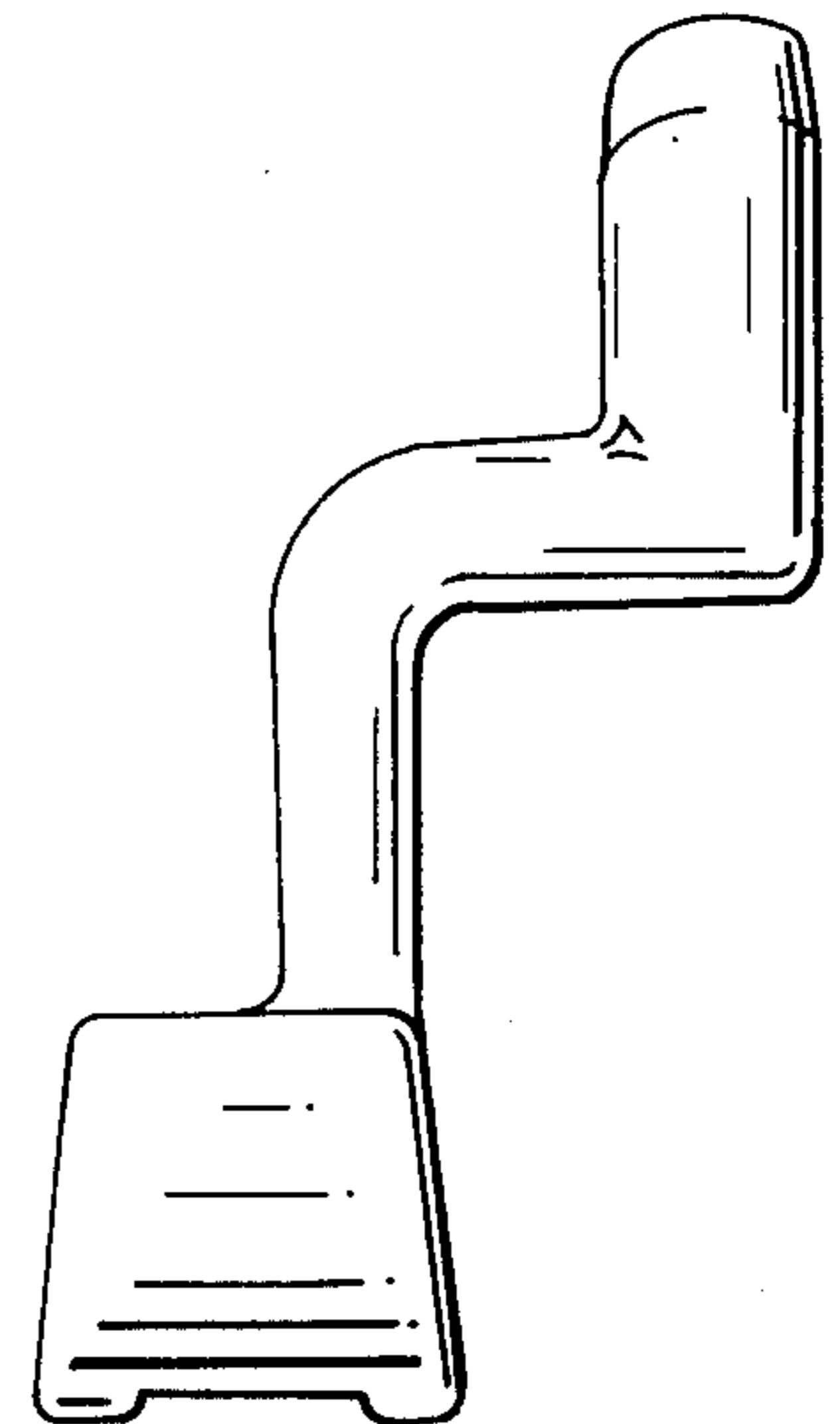


FIG. 7

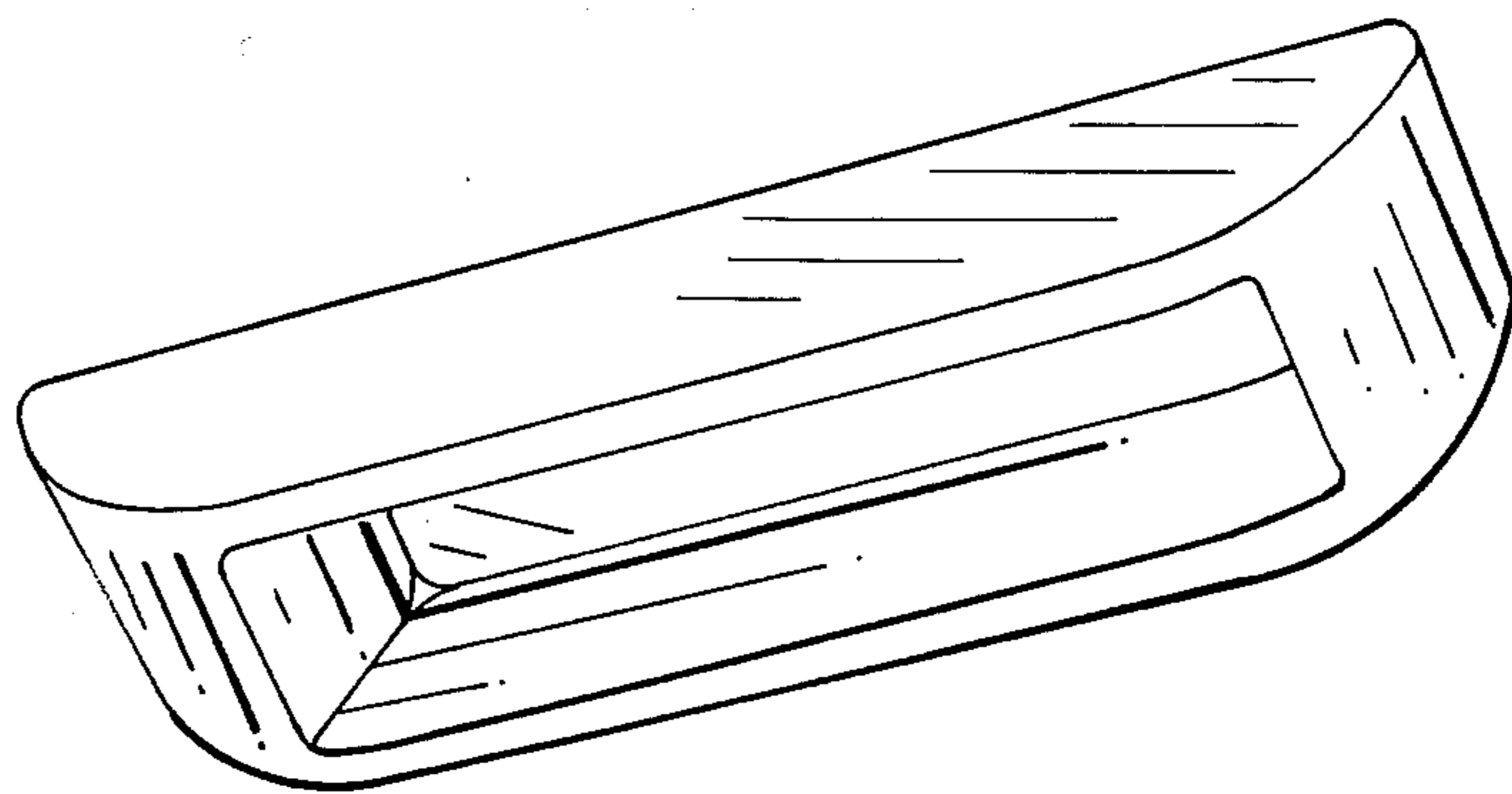


FIG. 8