

[54] **TOY VEHICLE**

[76] **Inventor: Mary K. Chammah, 16 Redwing Place, Don Mills, Ontario, Canada, M3C 2A8**

[\*\*] **Term: 14 Years**

[21] **Appl. No.: 124,188**

[22] **Filed: Nov. 23, 1987**

**Related U.S. Application Data**

[62] **Division of Ser. No. 786,077, Oct. 10, 1985.**

[30] **Foreign Application Priority Data**

Apr. 19, 1985 [IT] Italy ..... 21573/85  
[52] **U.S. Cl. .... D21/128**  
[58] **Field of Search ..... D2/279, 332, 310, 335, D2/265; D21/109, 124, 128, 134, 140; 446/441, 448, 451, 460, 465, 466, 468, 469, 470**

[56] **References Cited**

**U.S. PATENT DOCUMENTS**

D. 229,989	1/1974	Sedley .....	D2/310
D. 240,974	8/1976	Tesky .....	D2/279
D. 242,401	11/1976	Wunsch .....	D2/310
D. 262,955	2/1982	Strickland .....	D21/128
D. 276,250	11/1984	Murakami .....	D21/128
D. 282,091	1/1986	Nakao et al. ....	D21/128
D. 294,765	3/1988	Otto .....	D2/279

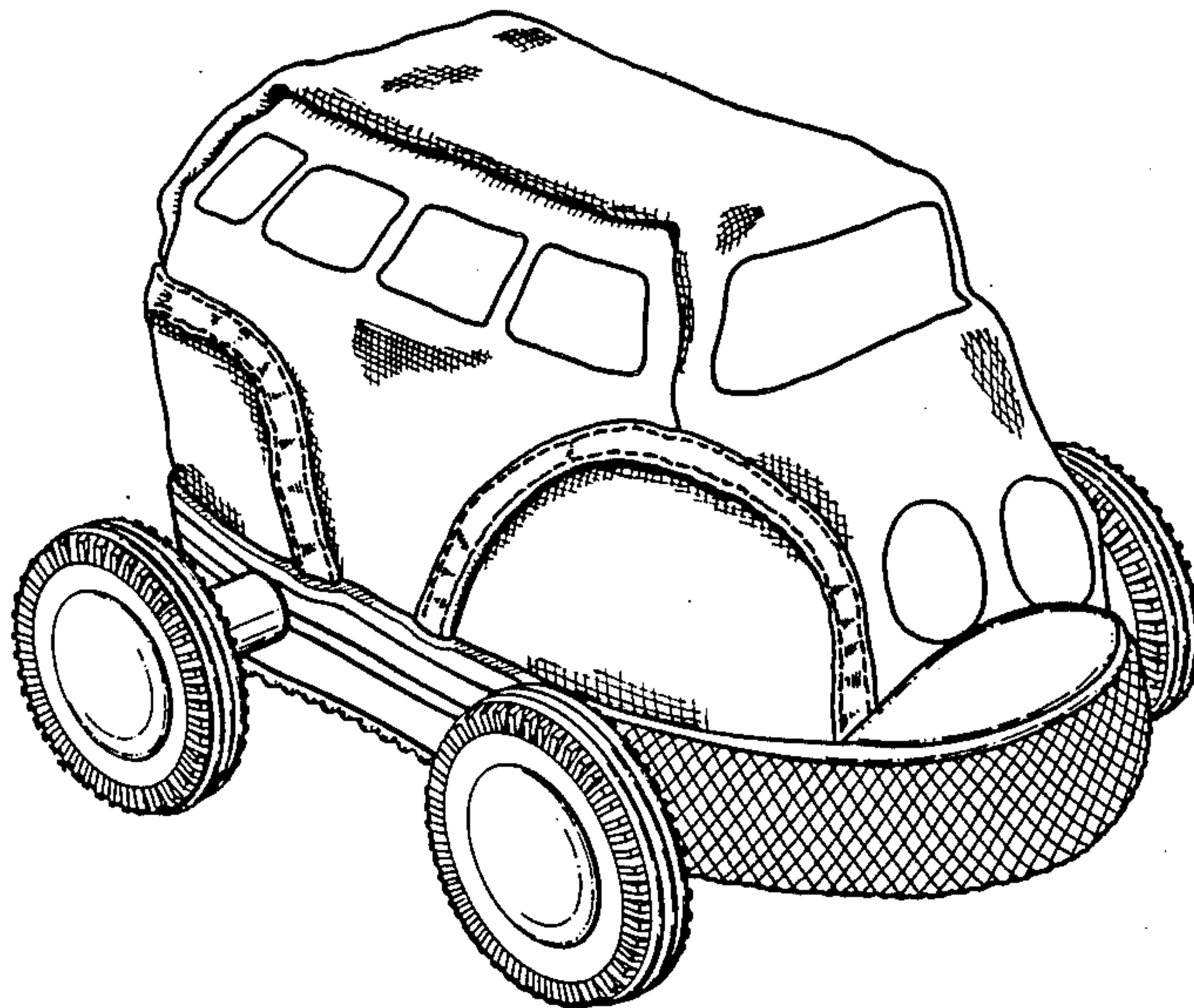
*Primary Examiner*—Charles A. Rademaker  
*Attorney, Agent, or Firm*—Robert F. Delbridge; Arne I. Fors

[57] **CLAIM**

The ornamental design for a toy vehicle, as shown and described.

**DESCRIPTION**

FIG. 1 is a right side perspective view of a toy vehicle showing my new design;  
FIG. 2 is a bottom perspective view thereof;  
FIG. 3 is a left side perspective view thereof; and  
FIG. 4 is a rear elevational view thereof.



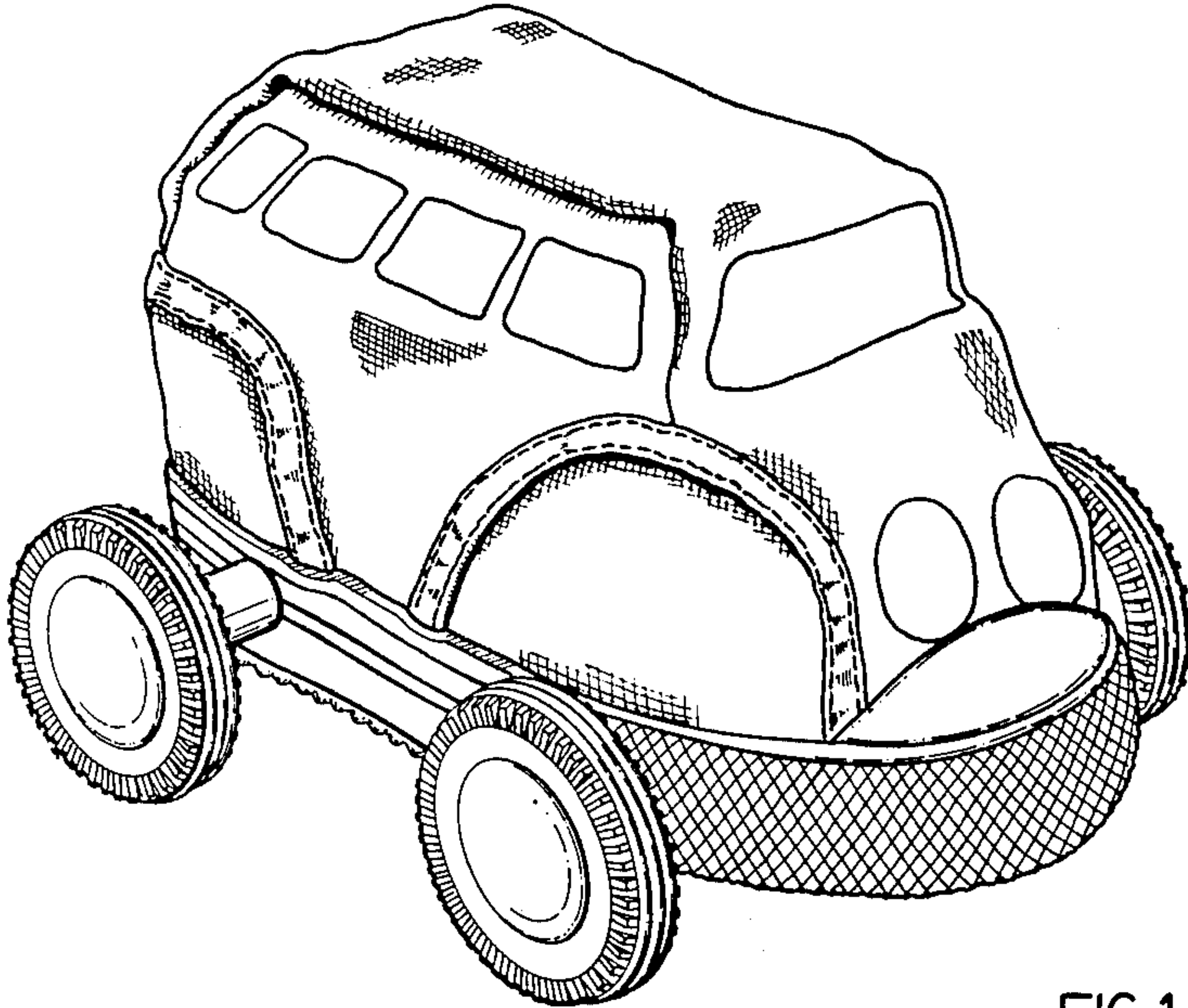


FIG.1.

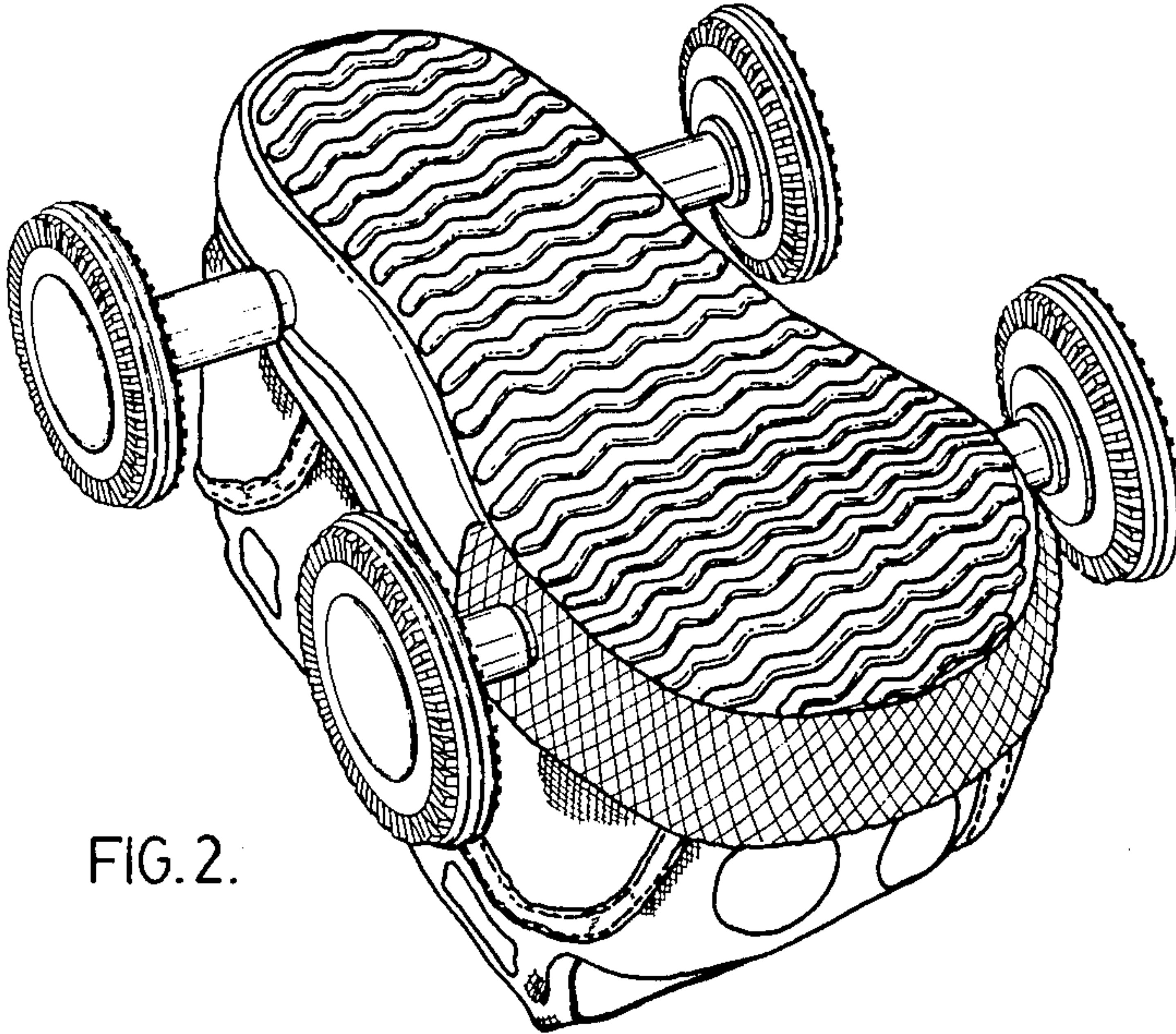


FIG.2.

FIG. 3.

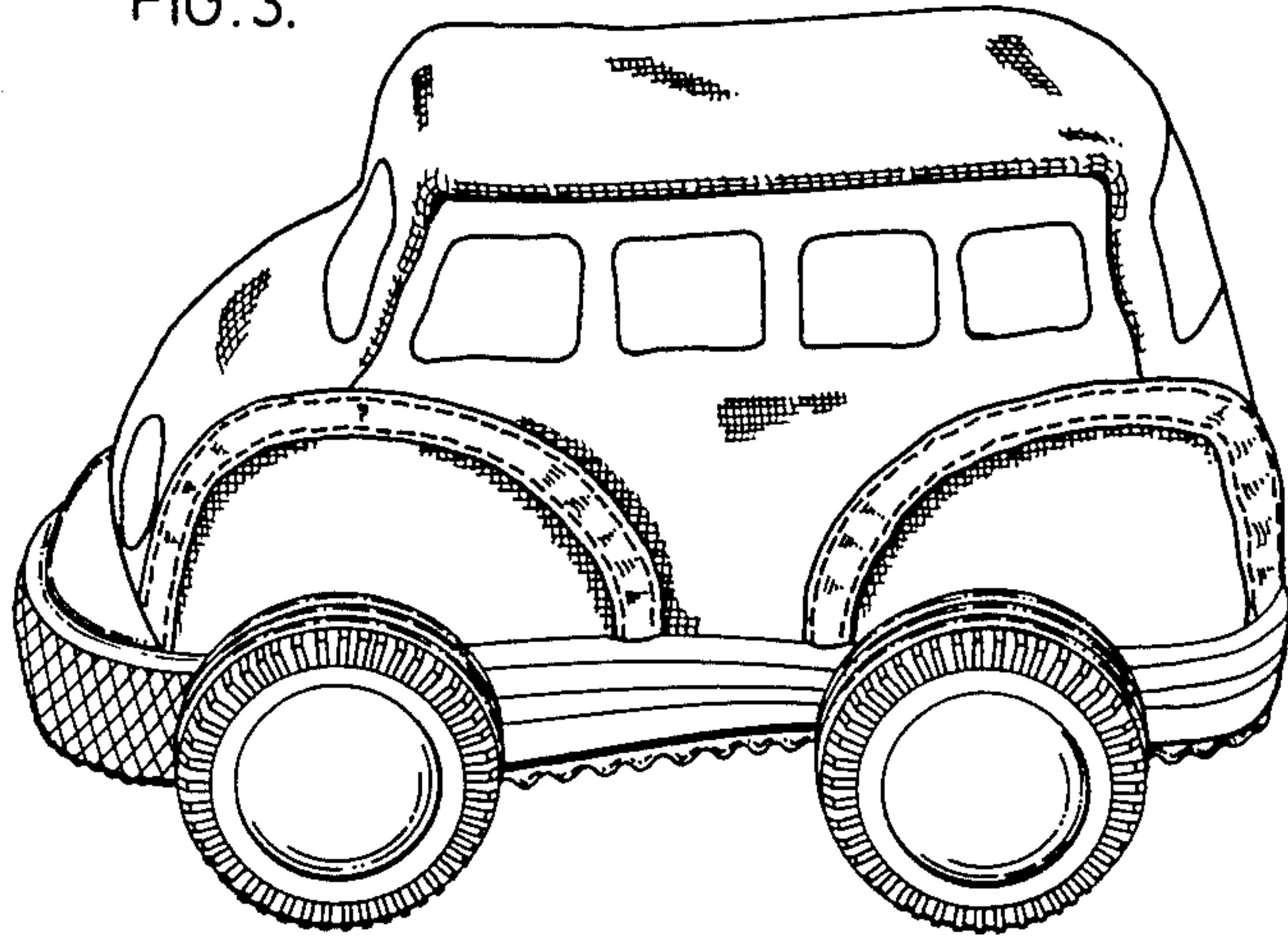


FIG. 4.

