

**United States Patent** [19]  
**Murtagh**

[11] **Patent Number: Des. 298,442**  
[45] **Date of Patent: \*\* Nov. 8, 1988**

[54] **PAPER WEIGHT**  
[75] **Inventor: William O. Murtagh, Toledo, Ohio**  
[73] **Assignee: Gerity Products Company, Toledo, Ohio**  
[\*\*] **Term: 14 Years**  
[21] **Appl. No.: 895,246**  
[22] **Filed: Aug. 11, 1986**  
[52] **U.S. Cl. .... D19/96**  
[58] **Field of Search ..... D19/75-85;  
248/504**

D. 177,977 6/1956 Hass ..... D19/96  
D. 188,445 7/1960 Sherman ..... D19/84  
D. 194,507 2/1963 Saxe ..... D19/85  
D. 266,009 8/1982 Carney ..... D19/95

*Primary Examiner*—Charles A. Rademaker  
*Attorney, Agent, or Firm*—Marshall & Melhorn

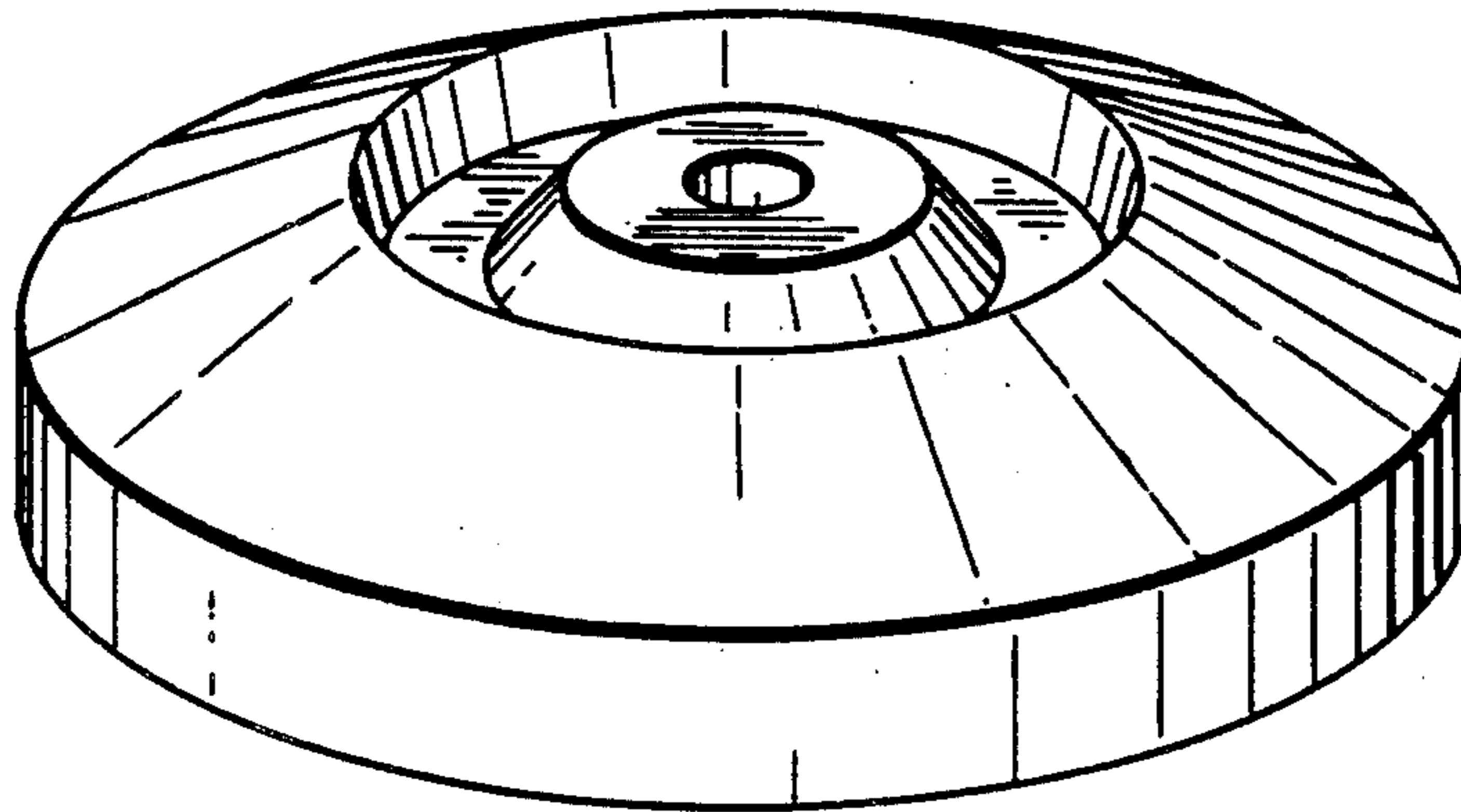
[57] **CLAIM**

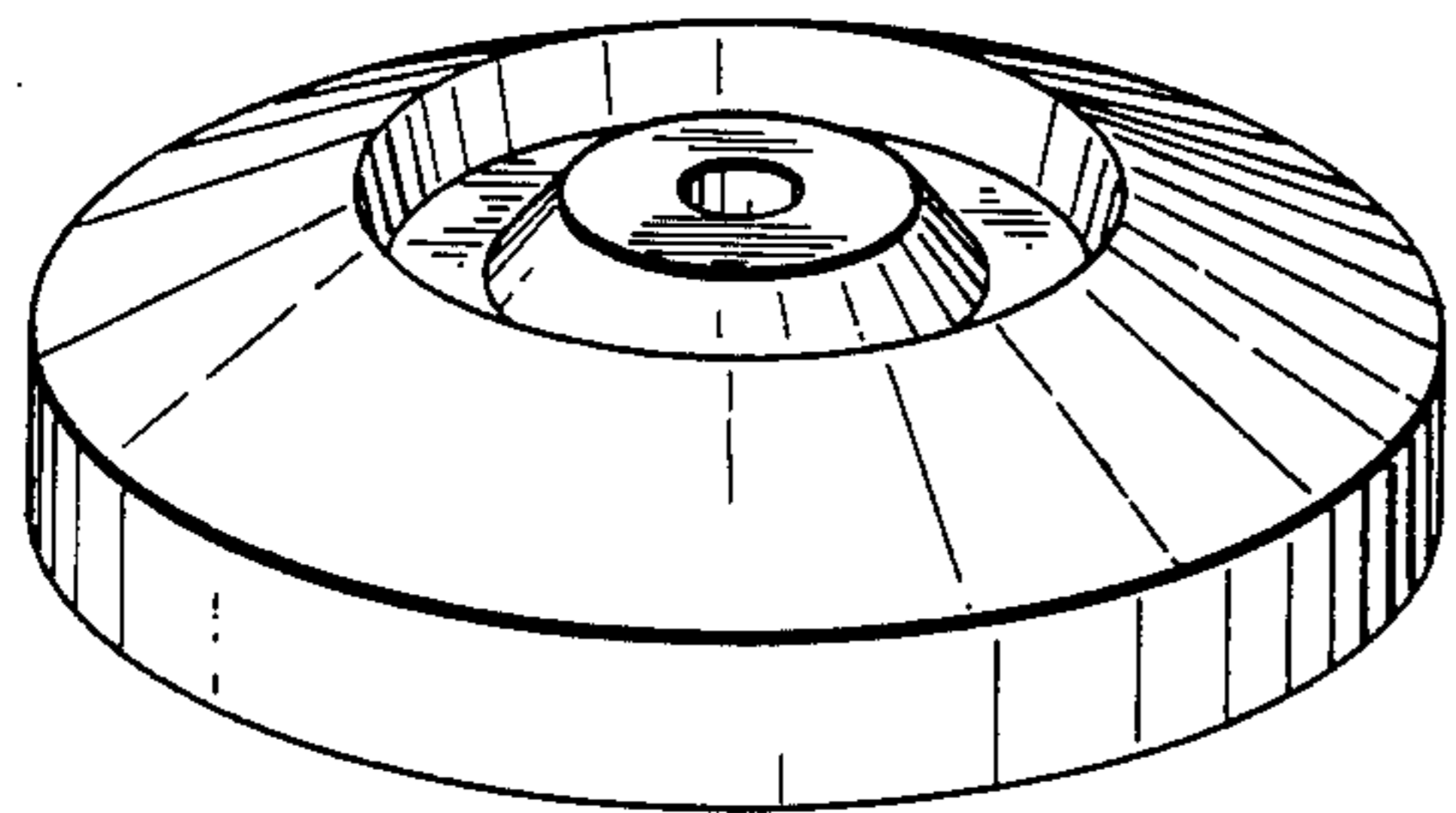
The ornamental design for a paper weight, as shown and described.

**DESCRIPTION**

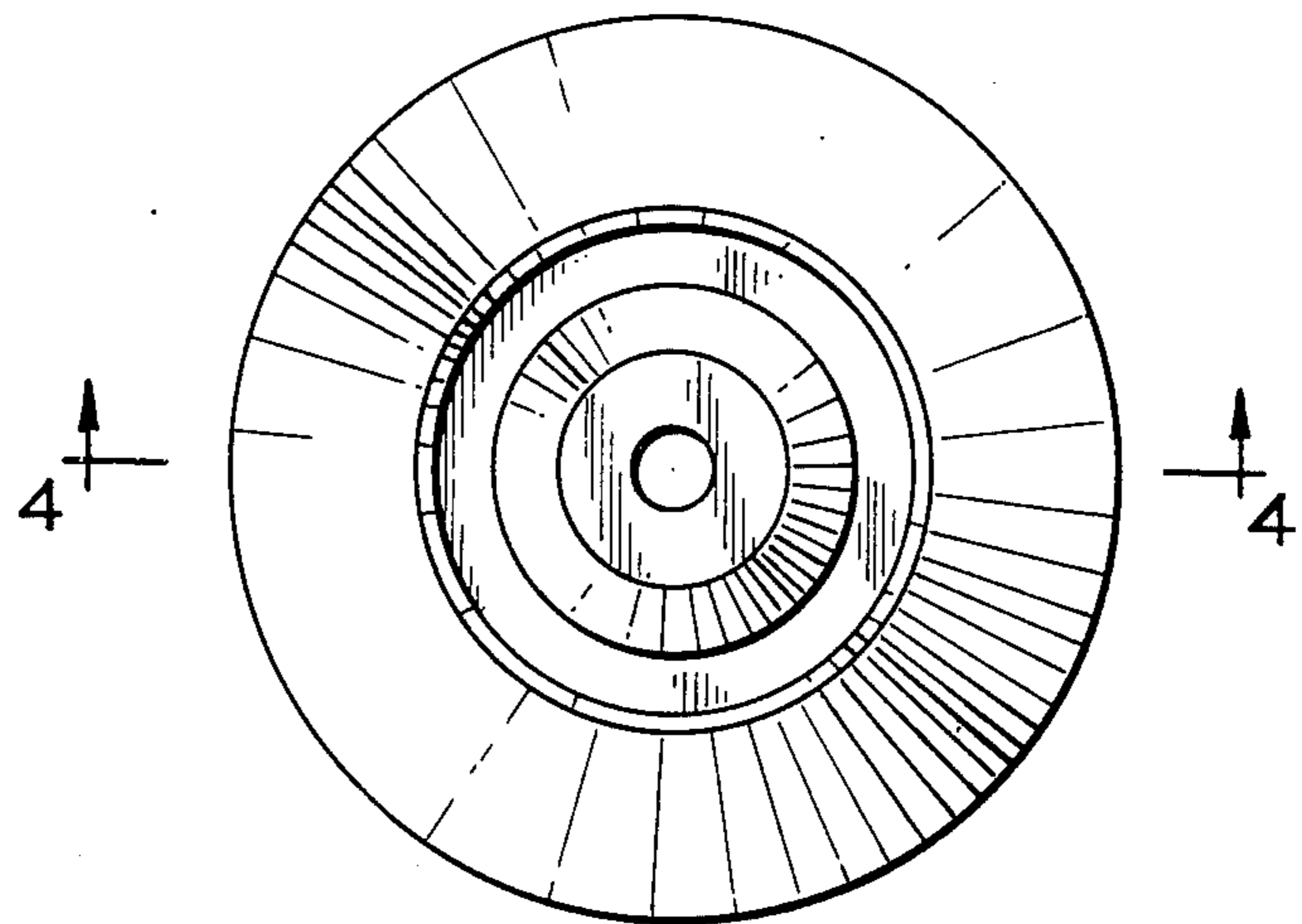
FIG. 1 is a perspective view of a paper weight embodying my new design;  
FIG. 2 is a top plan view thereof;  
FIG. 3 is a bottom plan view thereof; and  
FIG. 4 is a cross-sectional view thereof taken along line 4-4 of FIG. 2.

[56] **References Cited**  
**U.S. PATENT DOCUMENTS**  
D. 174,889 5/1955 Steinberg ..... D19/84

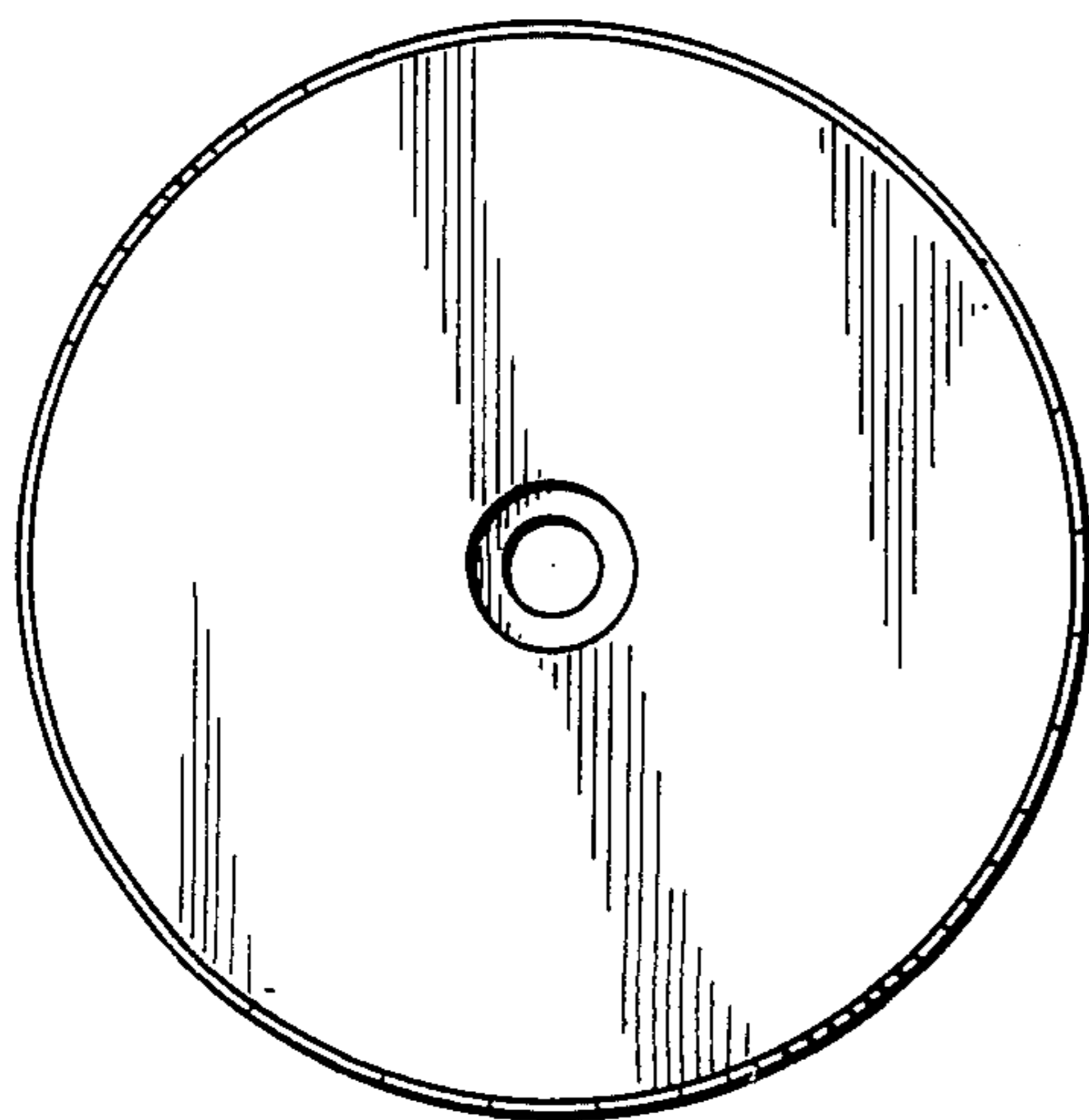




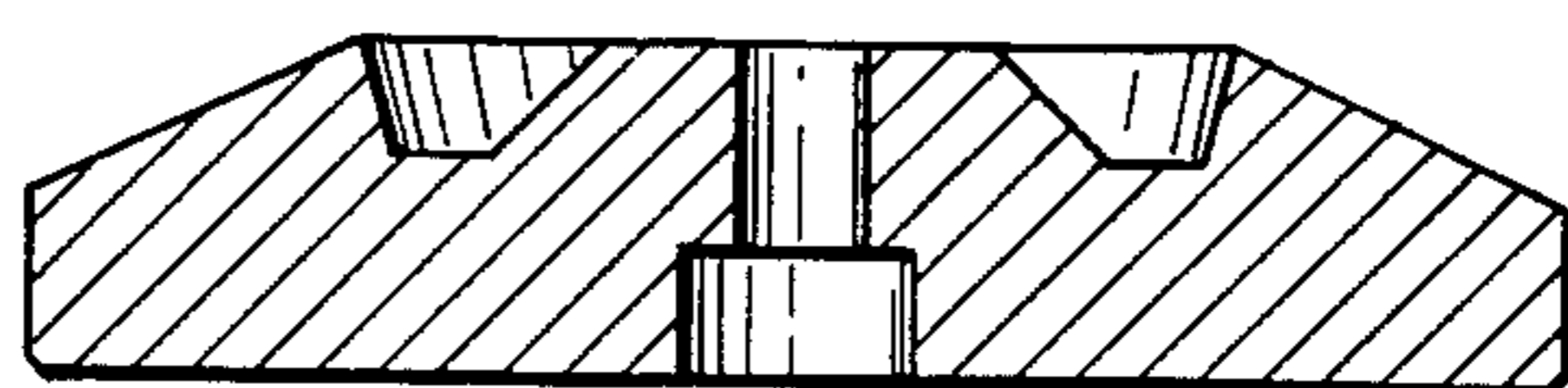
**FIG. 1**



**FIG. 2**



**FIG. 3**



**FIG. 4**