

[54] **ADHESIVE TAPE DISPENSER**

[75] **Inventor: Masaki Kida, Tokyo, Japan**

[73] **Assignee: Shachihata Industrial Co., Ltd., Nagoya, Japan**

[**] **Term: 14 Years**

[21] **Appl. No.: 876,360**

[22] **Filed: Jun. 19, 1986**

[30] **Foreign Application Priority Data**

Dec. 25, 1985 [JP] Japan 60-54681

[52] **U.S. Cl. D19/69**

[58] **Field of Search D19/67-69; 225/6, 77, 56, 45, 89, 72; 312/39; D24/29, 34**

[56] **References Cited**

U.S. PATENT DOCUMENTS

- D. 177,214 3/1956 Castelli et al. D19/69
- D. 188,150 6/1960 Gershen D19/69
- D. 192,835 5/1962 Wax D19/69

- D. 197,496 2/1964 Kusek D19/69
- D. 200,347 2/1965 Bower et al. D19/69
- D. 276,822 12/1984 Borst D19/69

FOREIGN PATENT DOCUMENTS

- 472600 4/1978 Japan .
- 55-5180 7/1981 Japan .

Primary Examiner—Charles A. Rademaker
Attorney, Agent, or Firm—Fleit, Jacobson, Cohn & Price

[57] **CLAIM**

The ornamental design for an adhesive tape dispenser, as shown.

DESCRIPTION

FIG. 1 is a perspective view of an adhesive tape dispenser showing my new design;
FIG. 2 is a front elevational view thereof;
FIG. 3 is a top plan view thereof;
FIG. 4 is a rear elevational view thereof;
FIG. 5 is a left side elevational view thereof;
FIG. 6 is a right side elevational view thereof; and
FIG. 7 is a bottom plan view thereof.

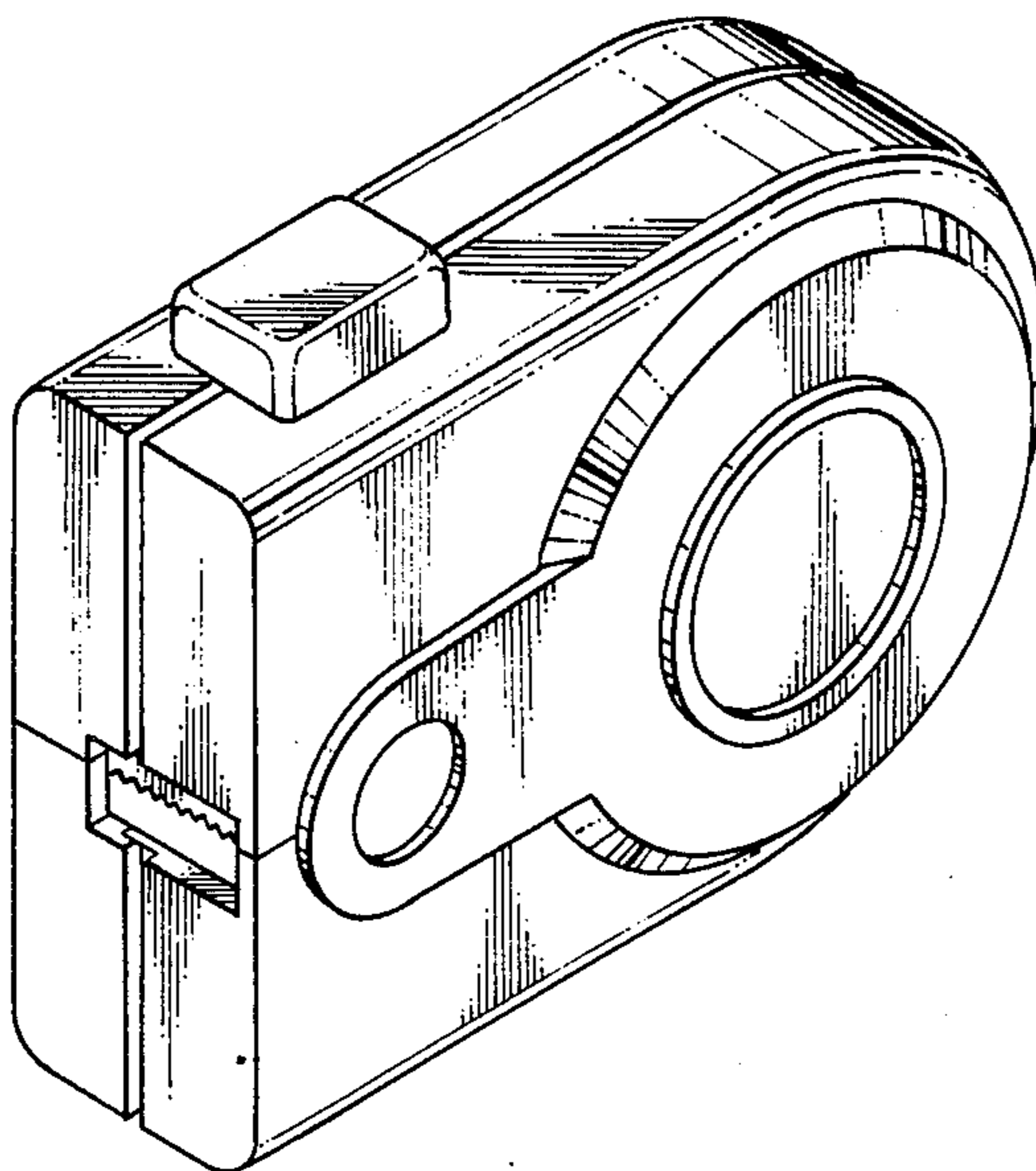


FIG. 1

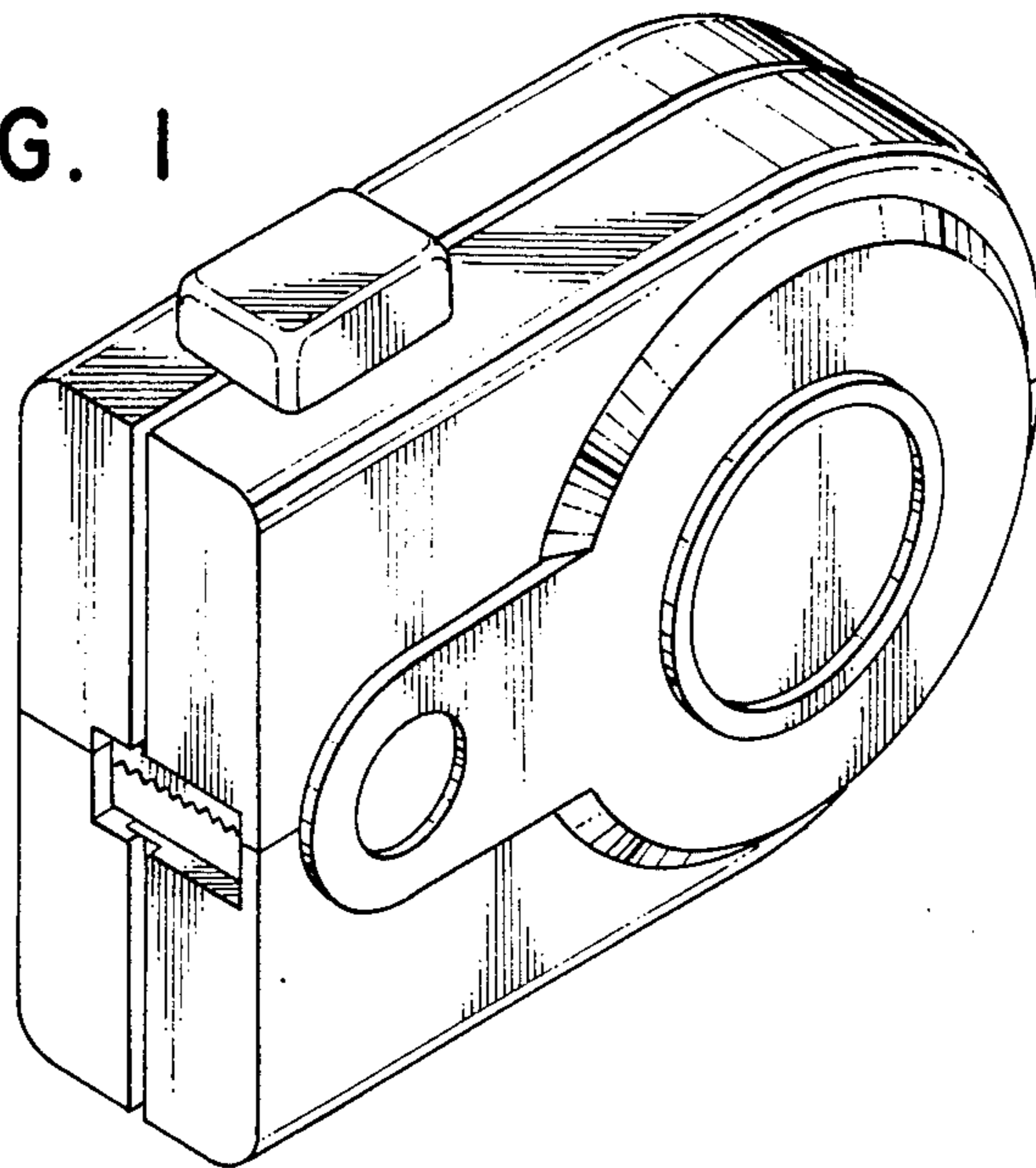


FIG. 2

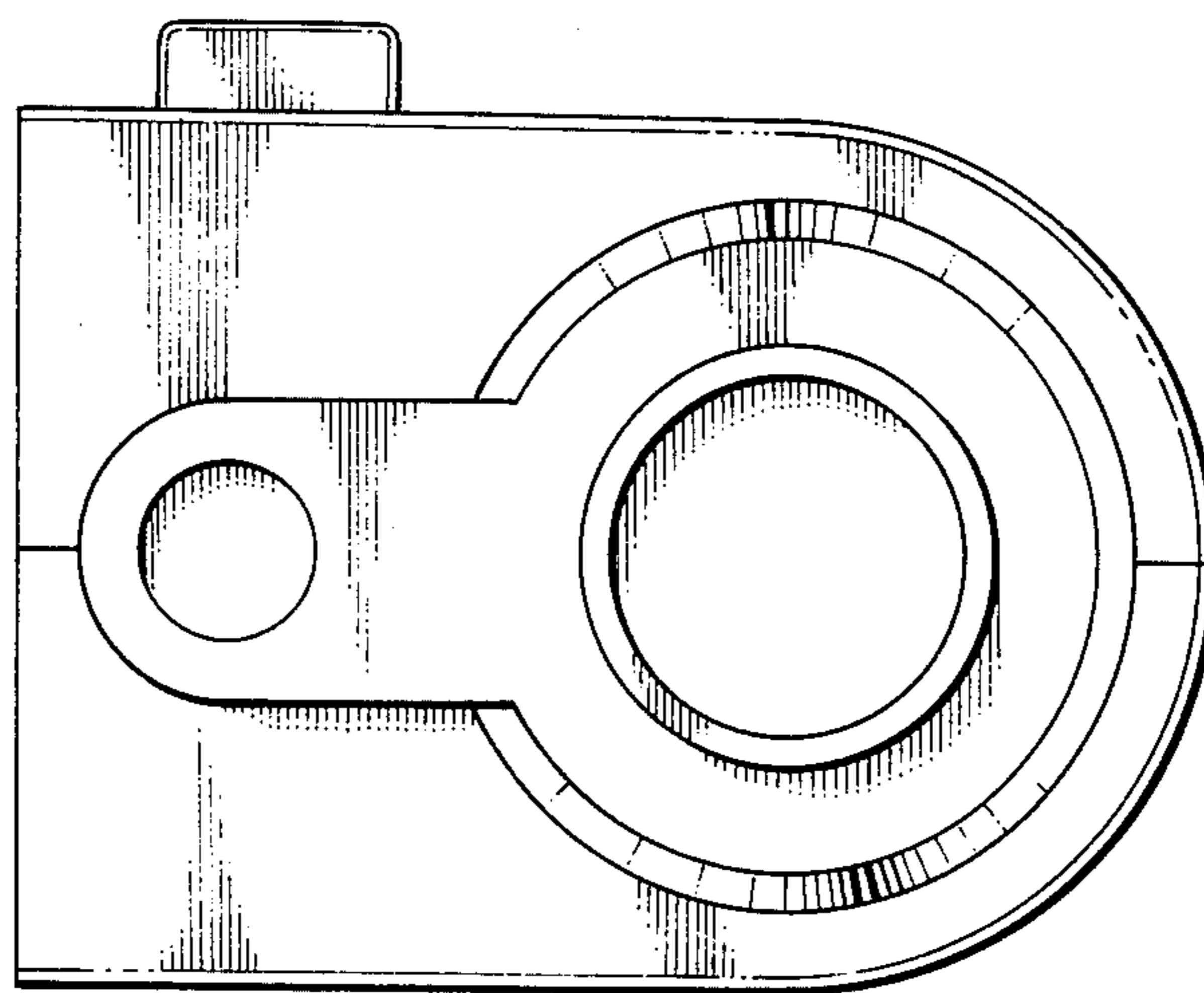


FIG. 3

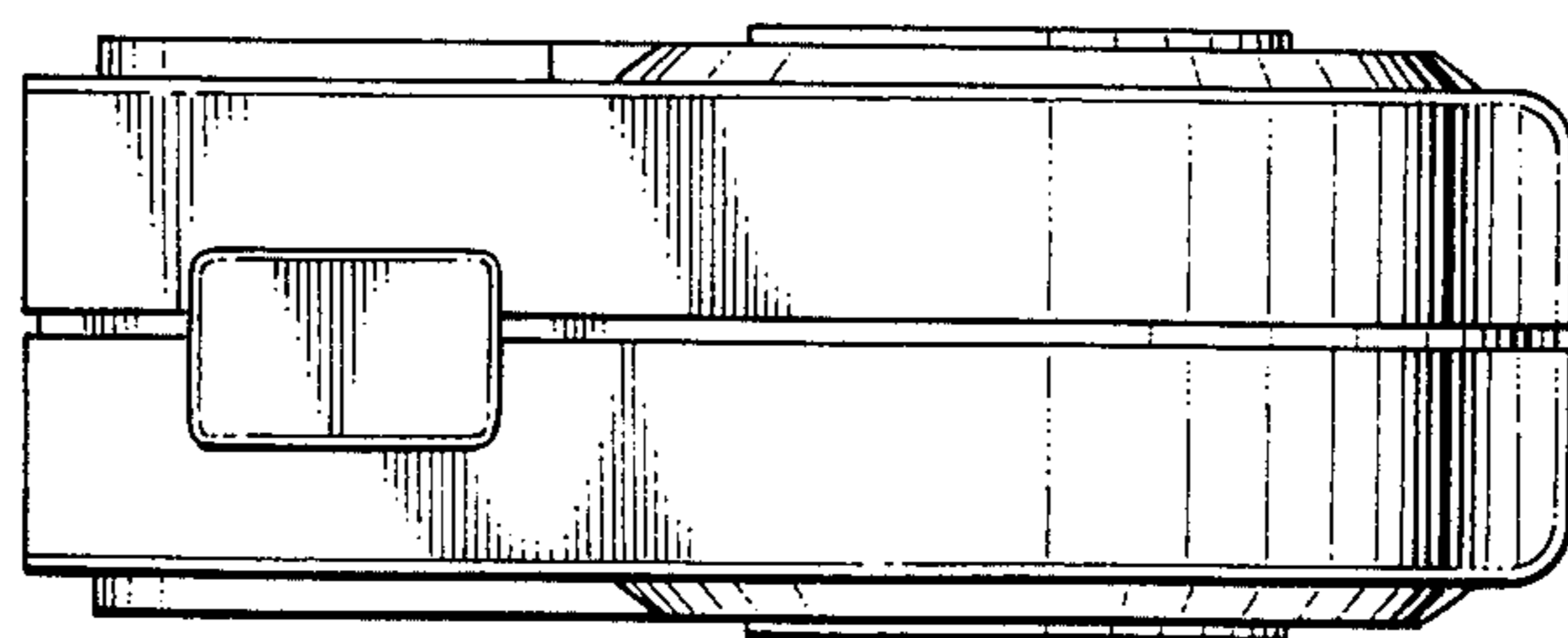


FIG. 4

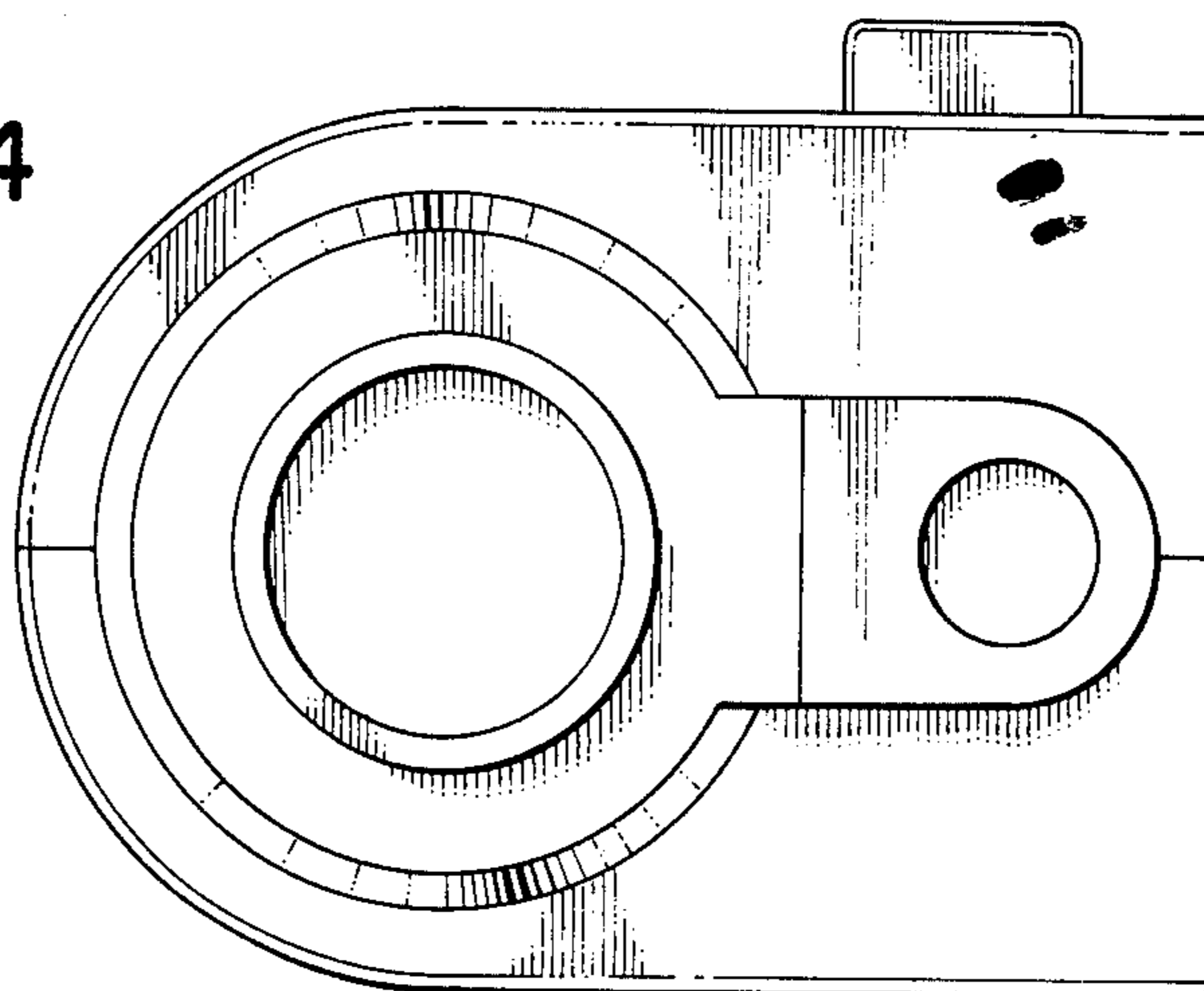


FIG. 5

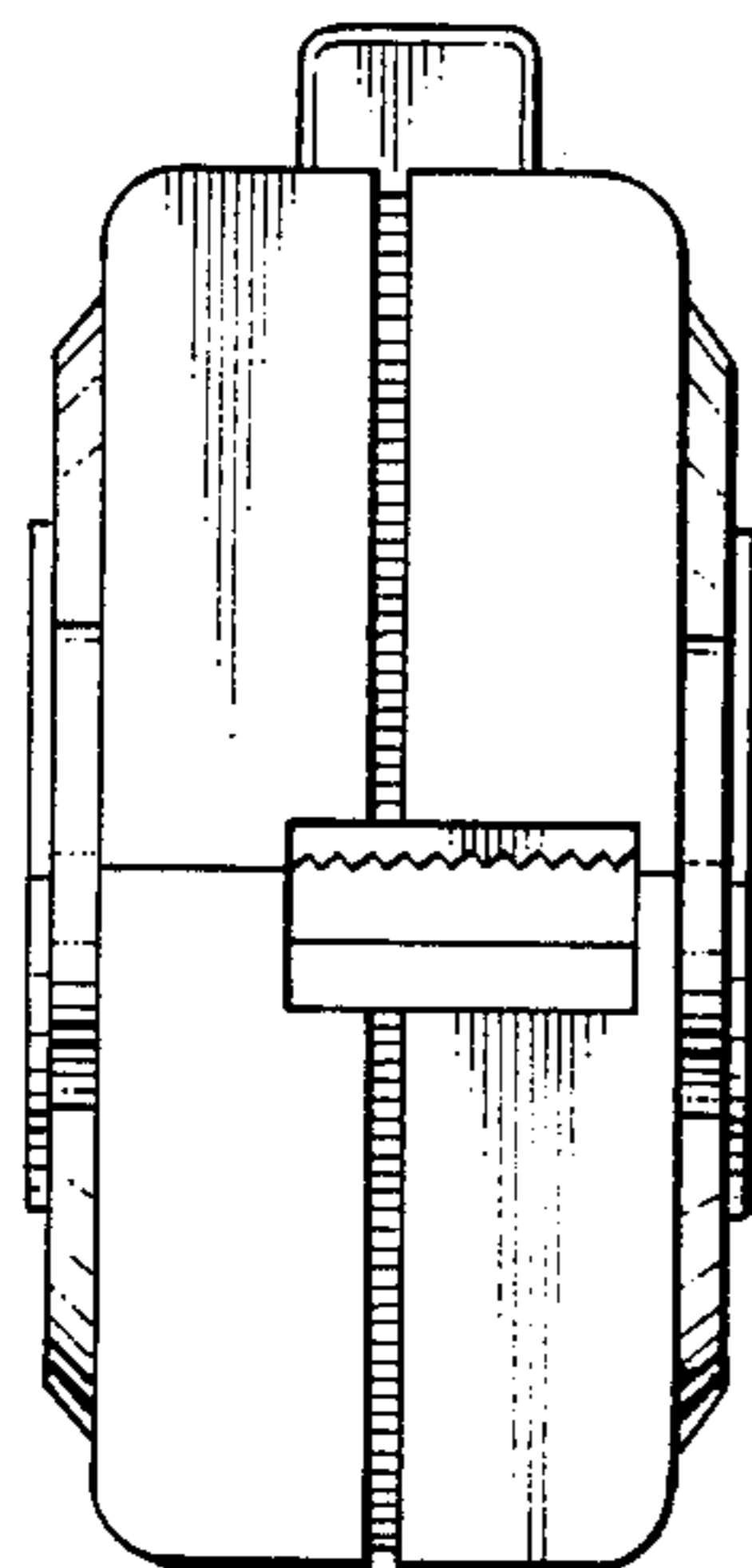


FIG. 6

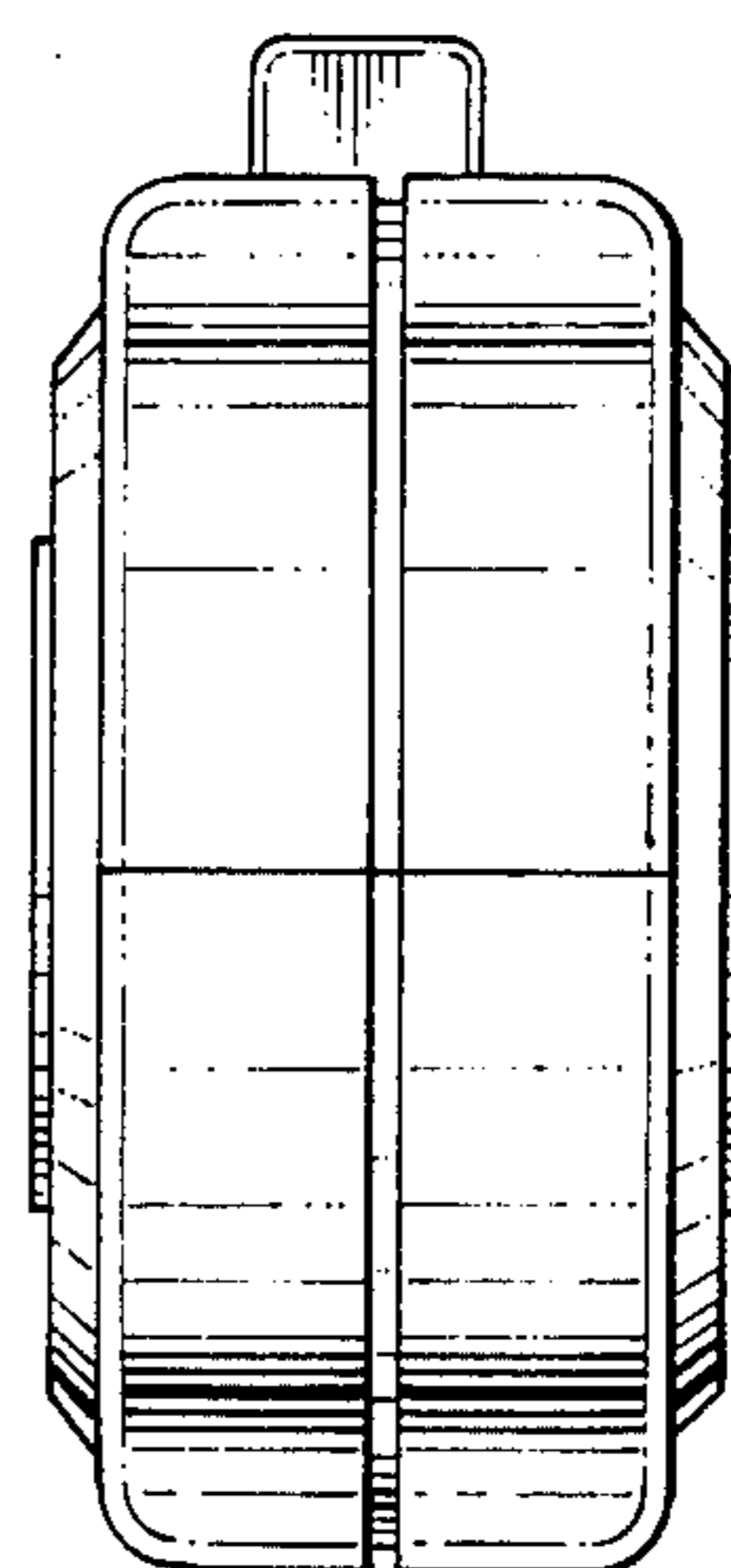


FIG. 7

