

[54] **DESK CALENDAR HOLDER**  
[75] **Inventor: Arlan D. Lothe, Sun Prairie, Wis.**  
[73] **Assignee: Don Evans, Inc., DeForest, Wis.**  
[\*\*] **Term: 14 Years**  
[21] **Appl. No.: 766,575**  
[22] **Filed: Aug. 19, 1985**  
[52] **U.S. Cl. .... D19/20; D19/92**  
[58] **Field of Search .... D19/20, 21-25,  
D19/86, 90-92, 75, 76, 78; 40/120, 107**

2,041,652 5/1936 Clark et al. .... 40/120

**OTHER PUBLICATIONS**

*Highsmith Cat. 25A*, 1983, p. 62, Eldon Desk Accessories-A19-600 "Calendar Holder", top row center panel.

*Primary Examiner*—Winifred E. Herrmann  
*Attorney, Agent, or Firm*—Lathrop & Clark

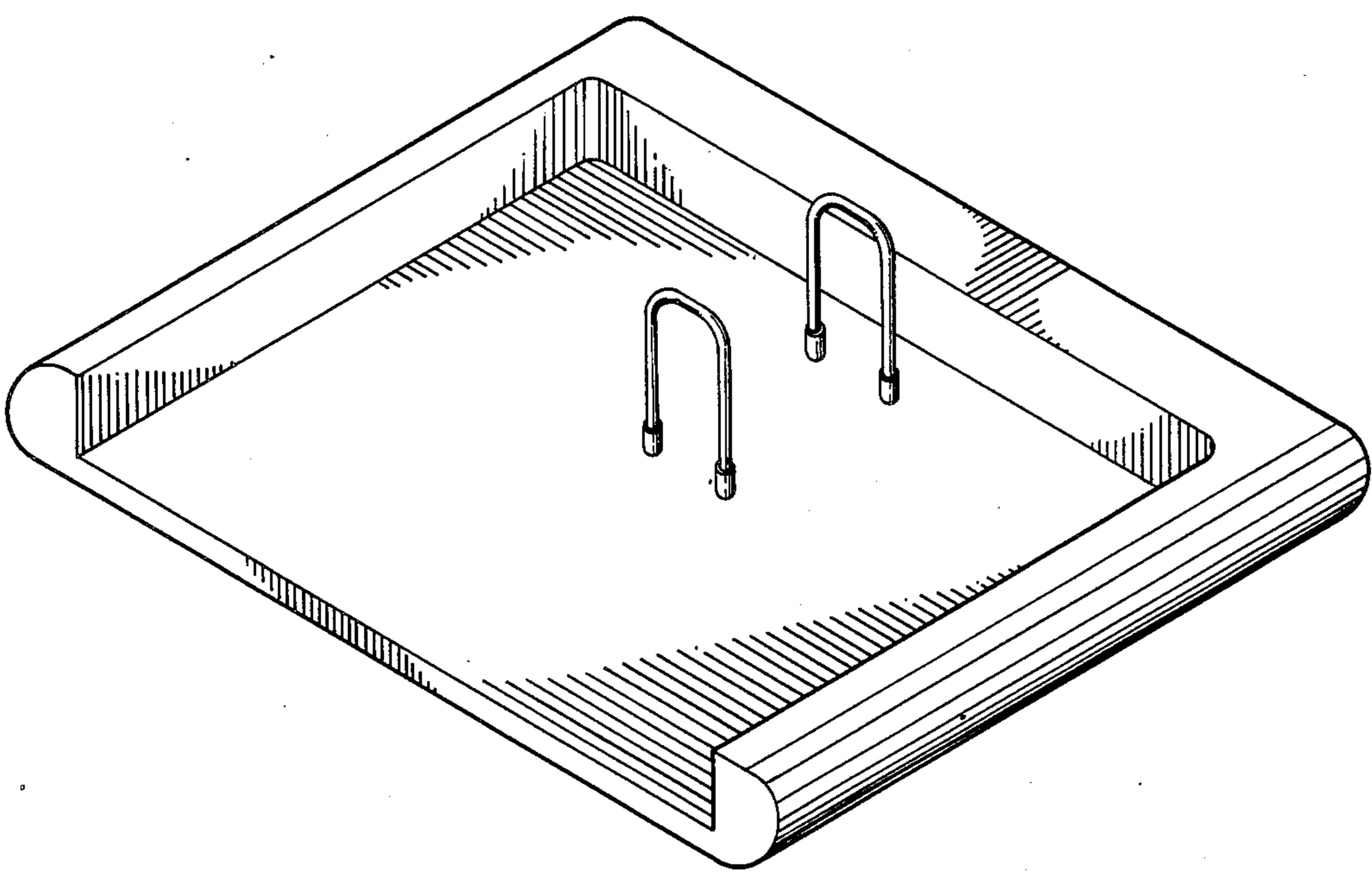
**CLAIM**

[57] The ornamental design for a desk calendar holder, as shown and described.

**DESCRIPTION**

FIG. 1 is a top, front, and right side perspective view of a desk calendar holder showing my new design;  
FIG. 2 is a bottom, rear, and left side perspective view of thereof;  
FIG. 3 is a top plan view thereof; and  
FIG. 4 is a front elevational view thereof.

[56] **References Cited**  
**U.S. PATENT DOCUMENTS**  
D. 241,834 10/1976 Evenson ..... D19/20  
D. 257,858 1/1981 Sklaroff ..... D19/92  
D. 262,893 2/1982 Martin ..... D19/92  
D. 290,973 7/1987 O'Neil ..... D19/92



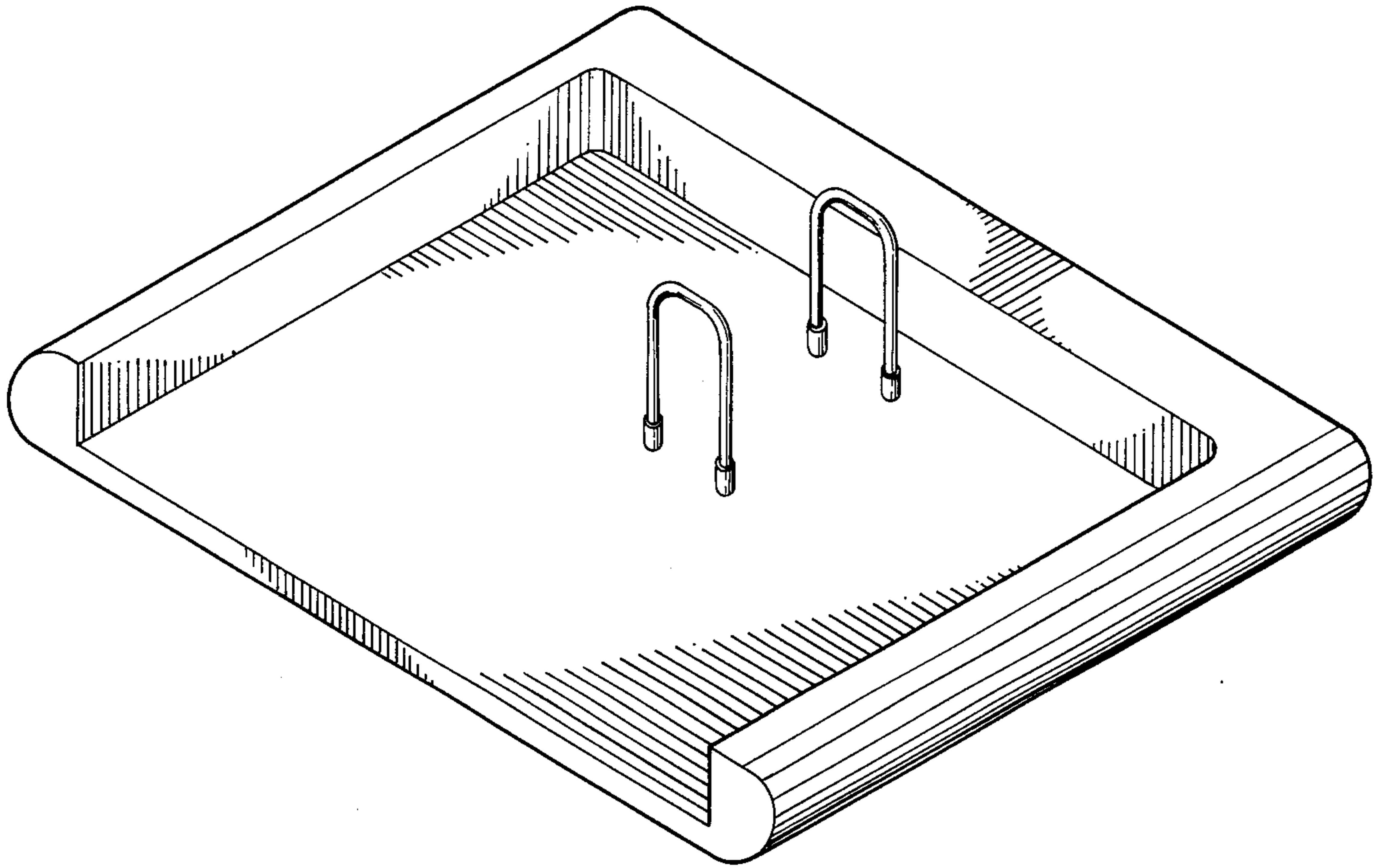


FIG. 1

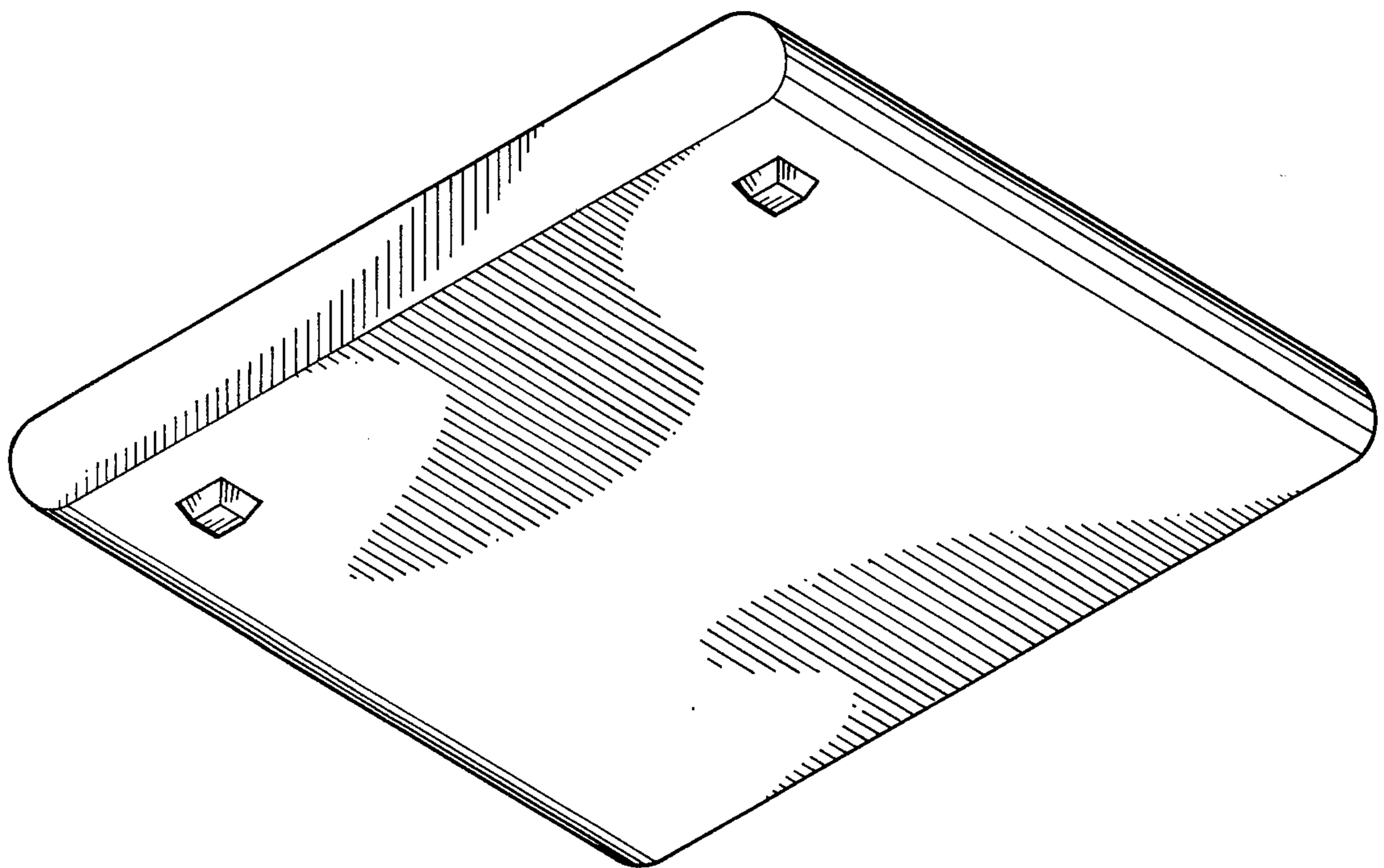


FIG. 2

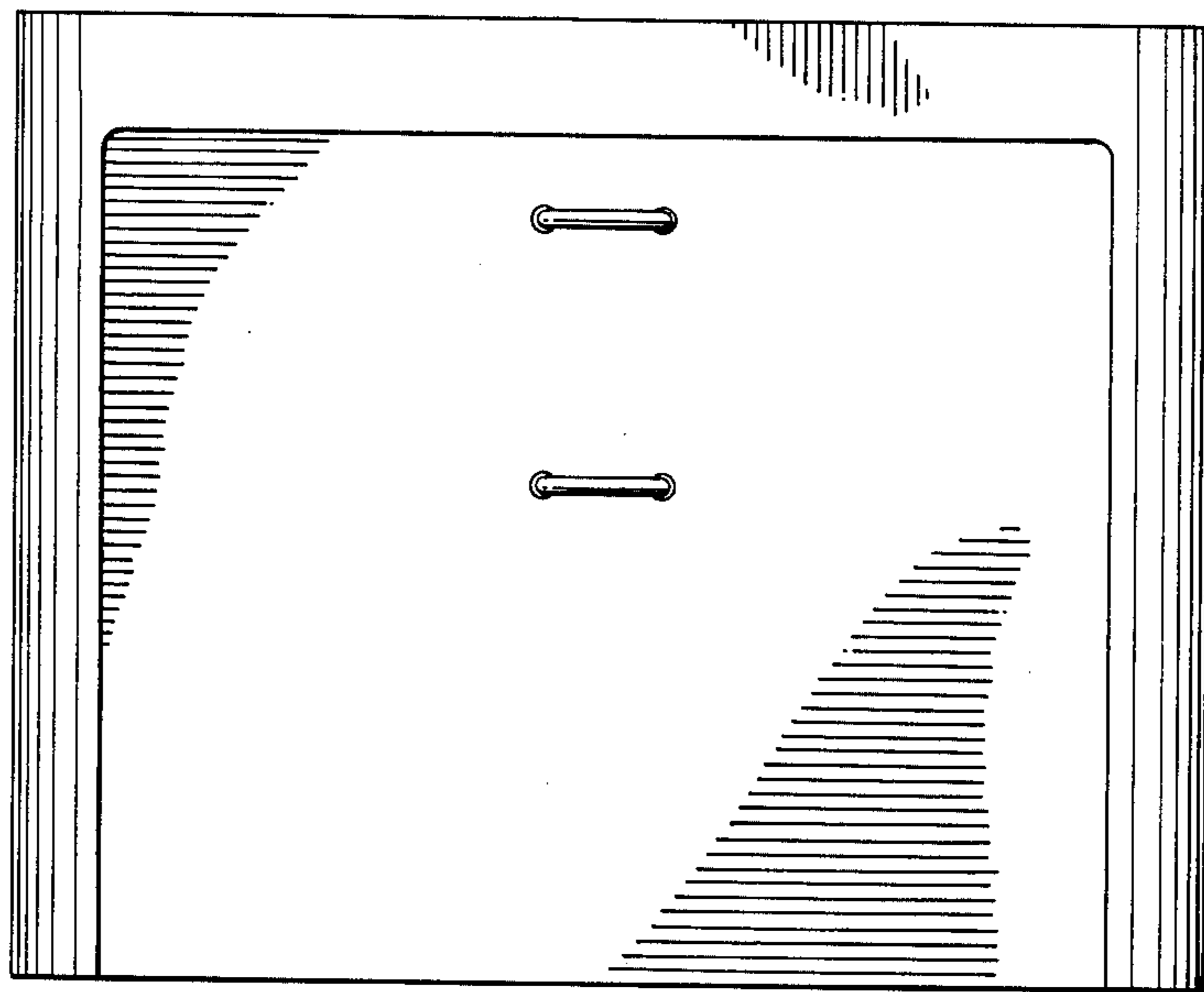


FIG. 3

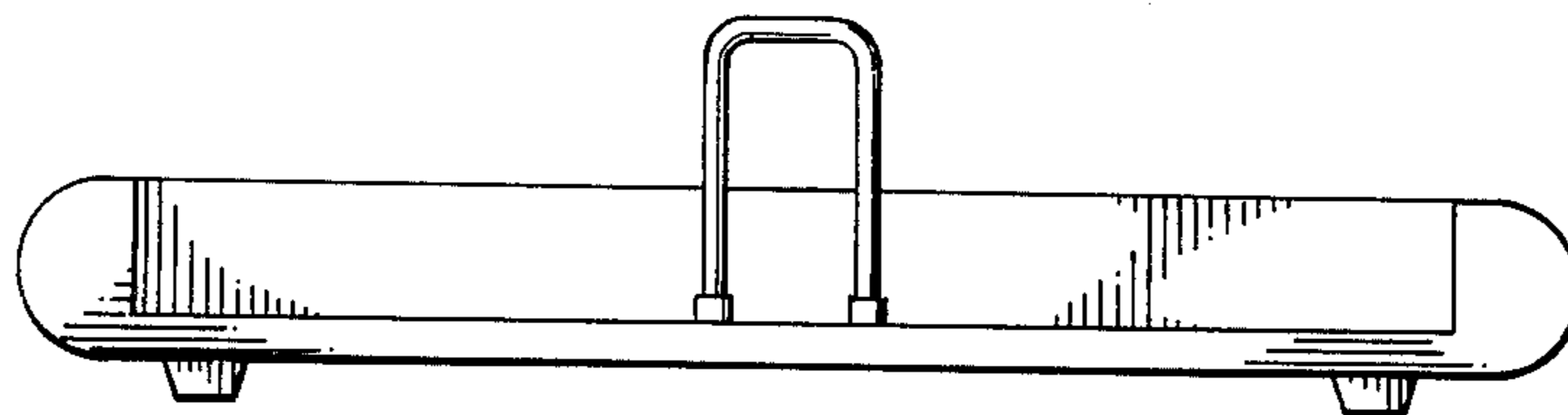


FIG. 4