

[54] **EYEGLOSS HOLDER**
[76] **Inventor: Joseph J. Pralutsky, 231 Twin Lake Trail, Little Canada, Minn. 55127**
[**] **Term: 14 Years**
[21] **Appl. No.: 825,538**
[22] **Filed: Feb. 3, 1986**
[52] **U.S. Cl. D16/129**
[58] **Field of Search D16/100, 123, 129; 211/13, 88; 248/DIG. 2, 309.1, 519, 127**

3,519,138 7/1970 Murray .

FOREIGN PATENT DOCUMENTS

75868 10/1949 Norway 211/13

Primary Examiner—Wallace R. Burke
Assistant Examiner—Clare E. Heflin
Attorney, Agent, or Firm—James V. Harmon

[57] **CLAIM**

The ornamental design for an eyeglass holder, as shown and described.

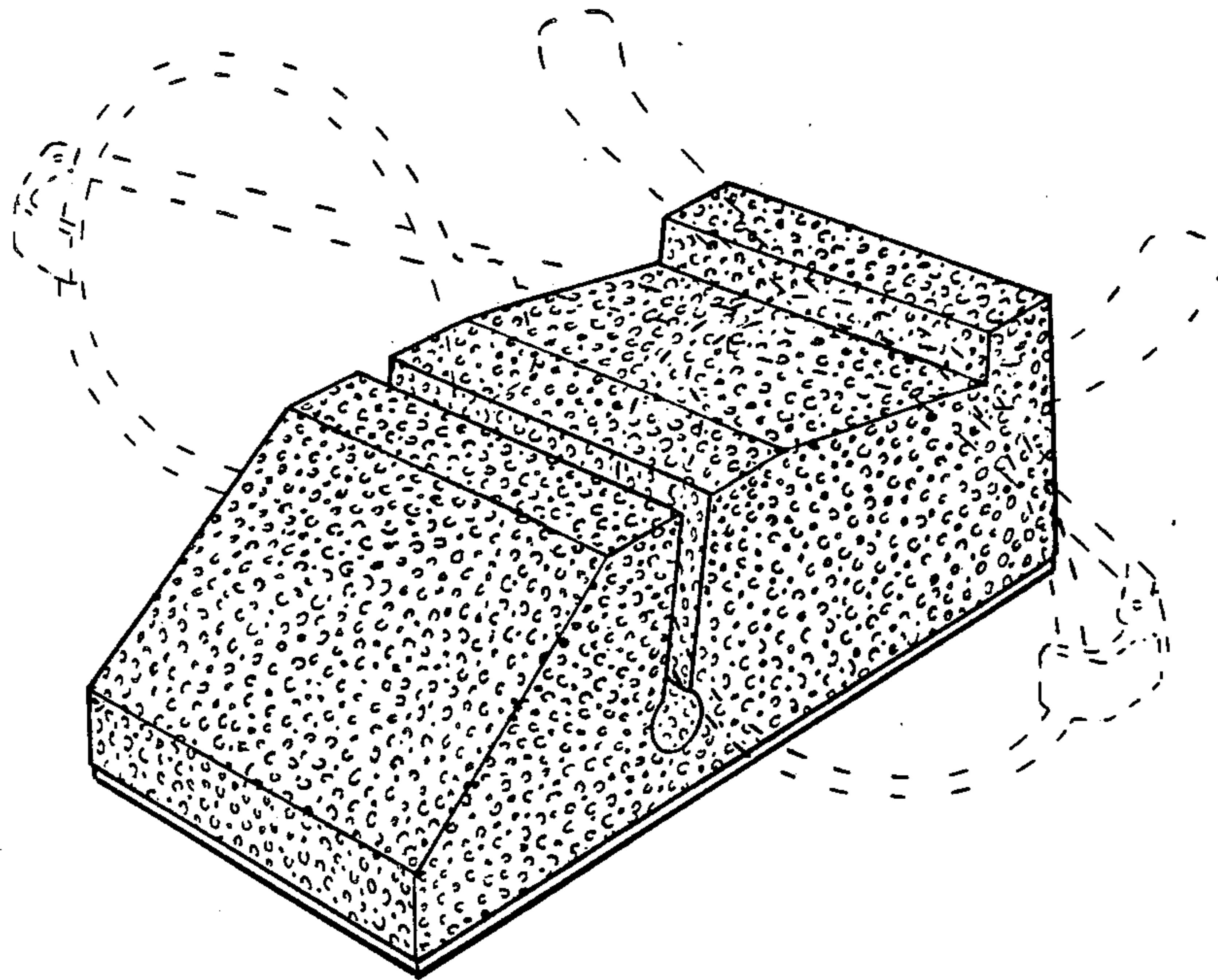
[56] **References Cited**

U.S. PATENT DOCUMENTS

2,049,684 8/1936 Bongiovanni et al. .
2,099,906 11/1937 Reese et al. 211/13
2,958,495 11/1960 Foster .
2,991,967 7/1961 Bothos .
2,997,270 8/1961 Farndon .
3,259,348 7/1966 Dann .
3,476,257 11/1969 O'Connell 211/13

DESCRIPTION

FIG. 1 is a perspective view of the eyeglass holder showing my new design with a pair of eyeglasses being shown in broken lines for illustrative purposes only; FIG. 2 is a right side elevational view thereof; FIG. 3 is a left side elevational view thereof; FIG. 4 is a rear elevational view thereof; FIG. 5 is a front elevational view thereof; and FIG. 6 is an enlarged perspective view thereof.



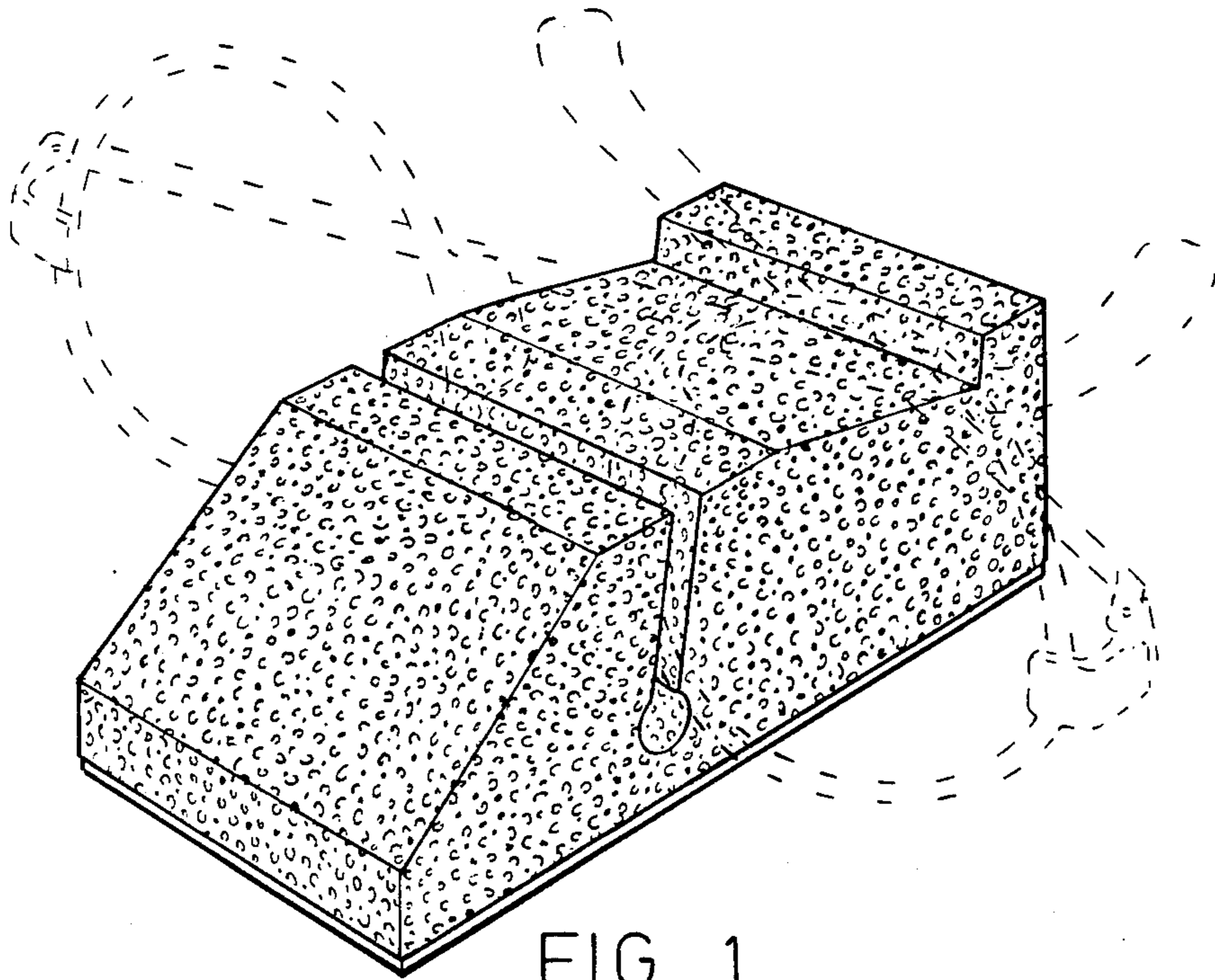


FIG. 1

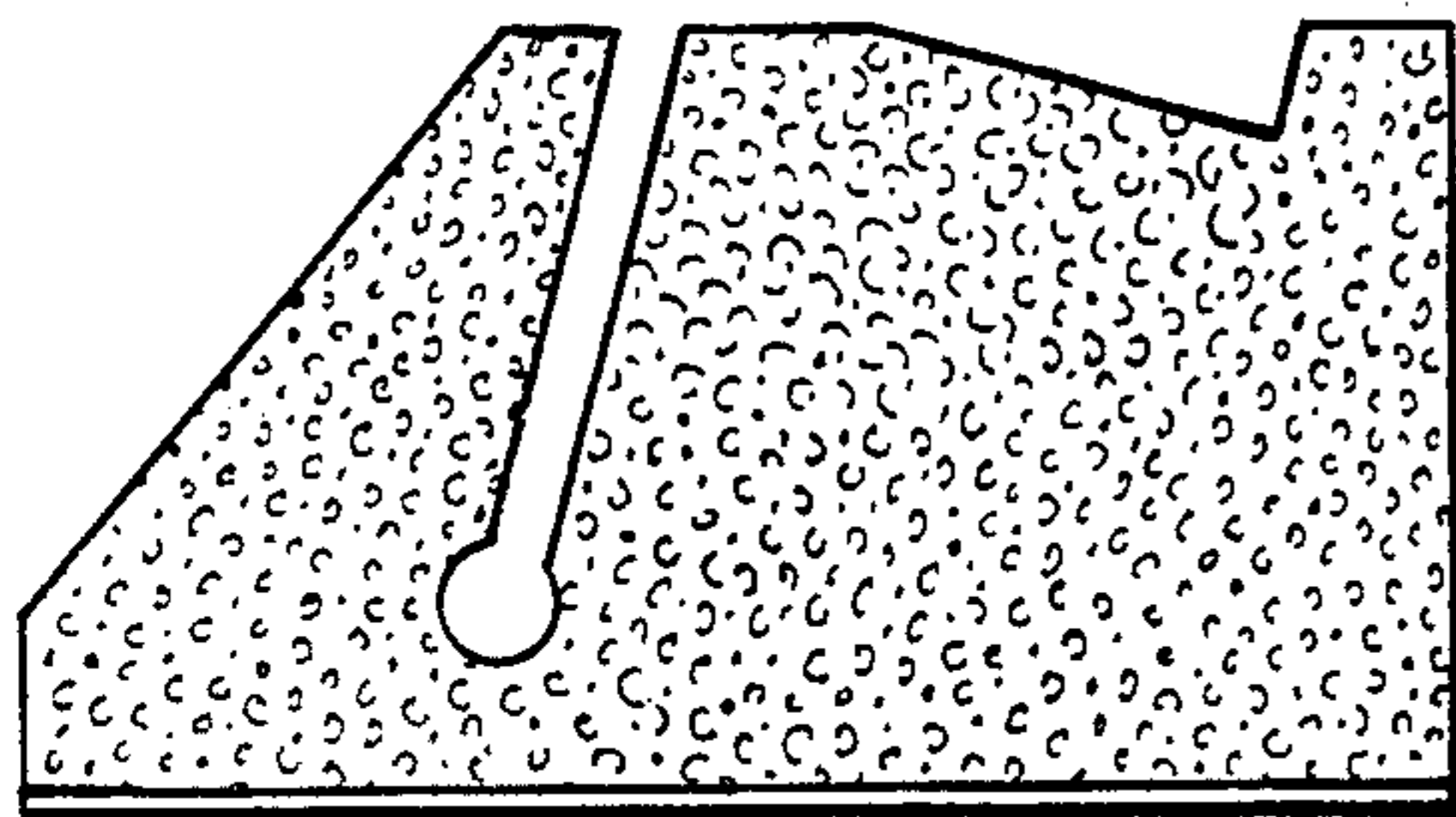


FIG. 2

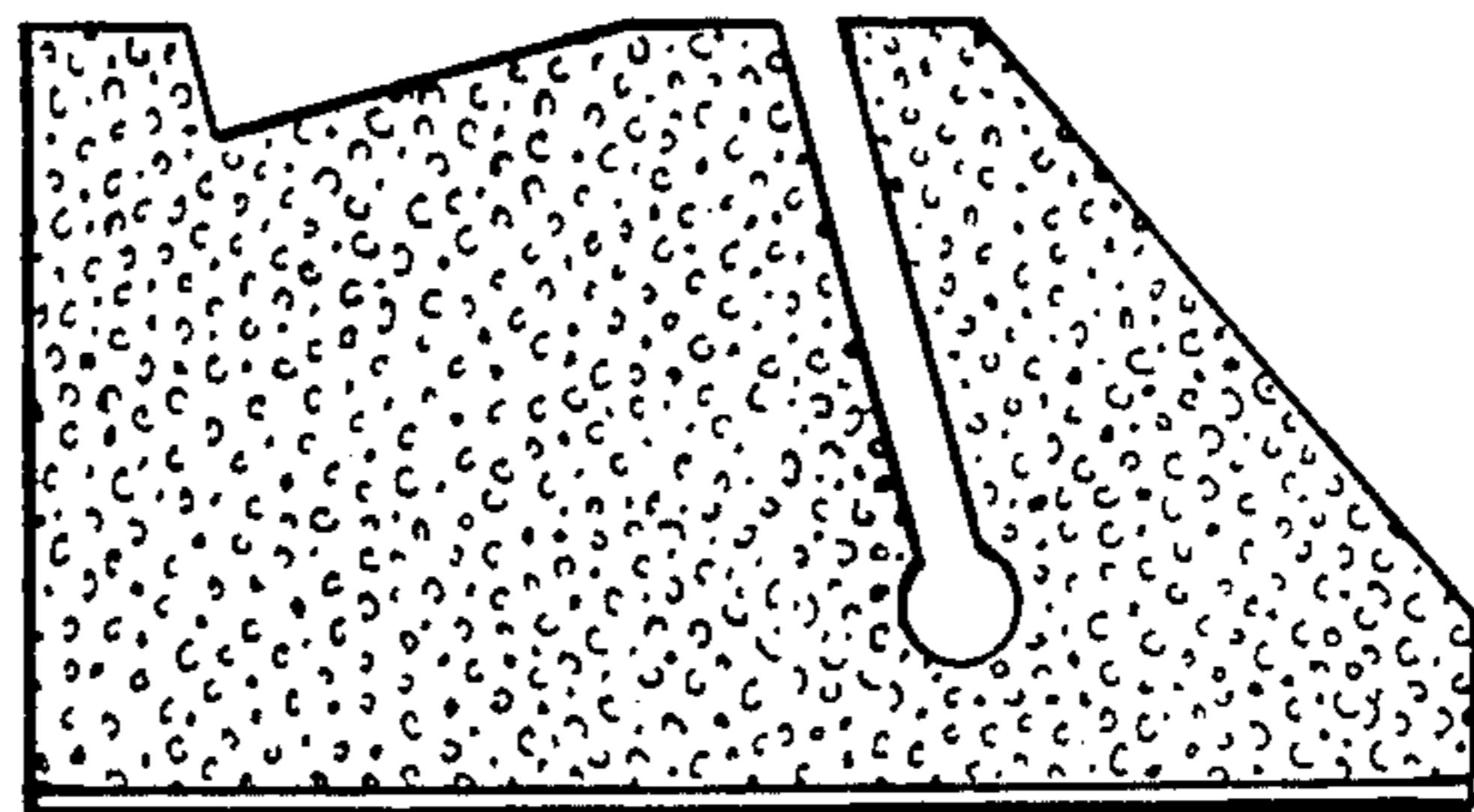


FIG. 3

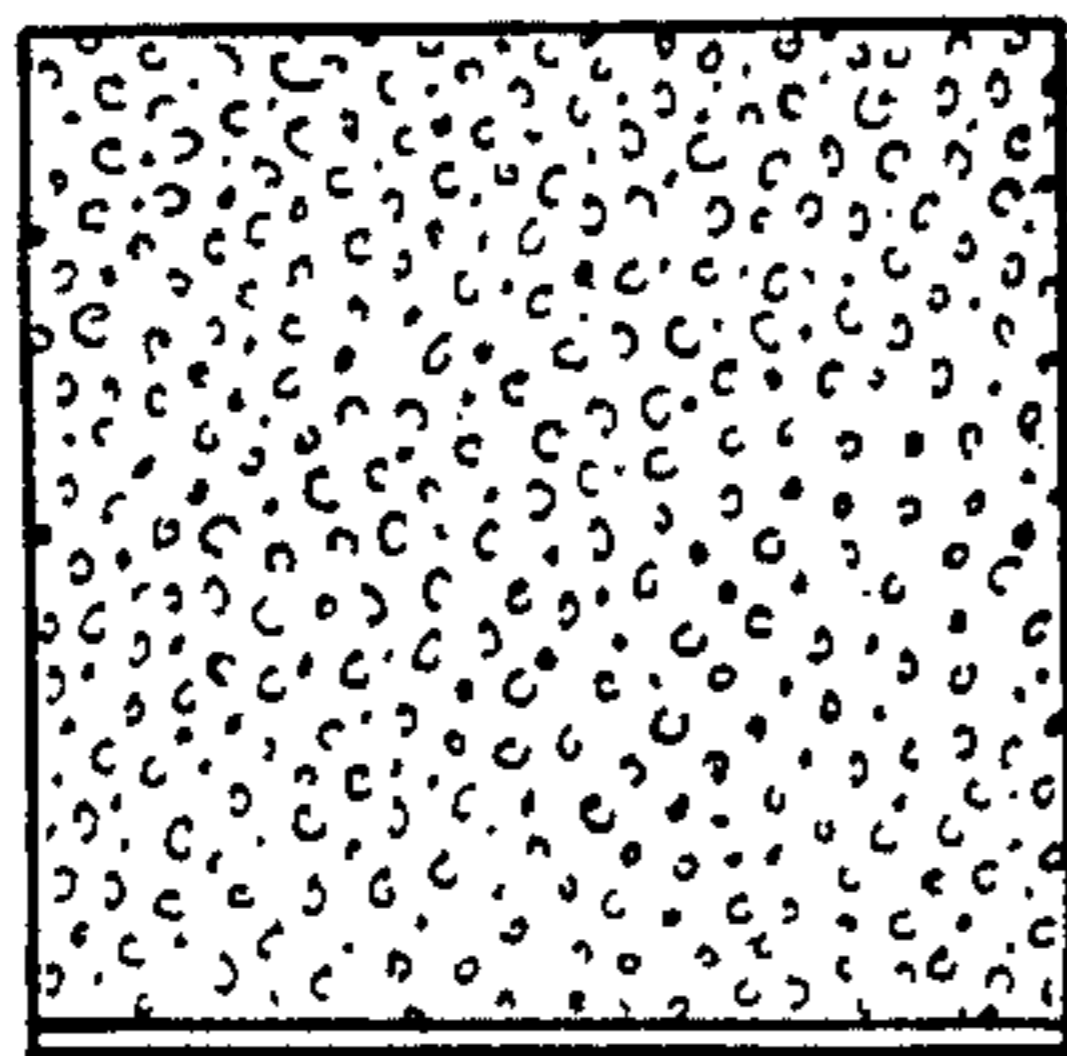


FIG. 4

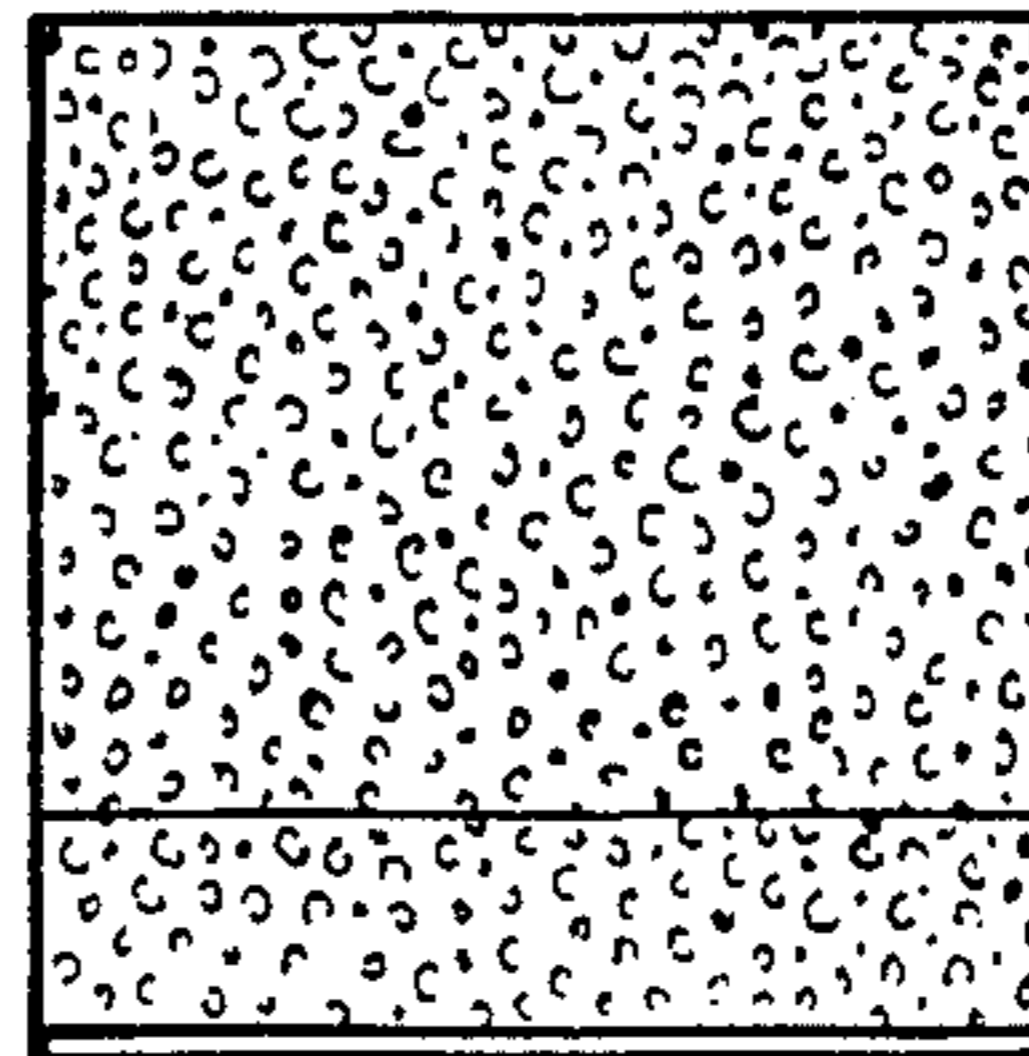


FIG. 5

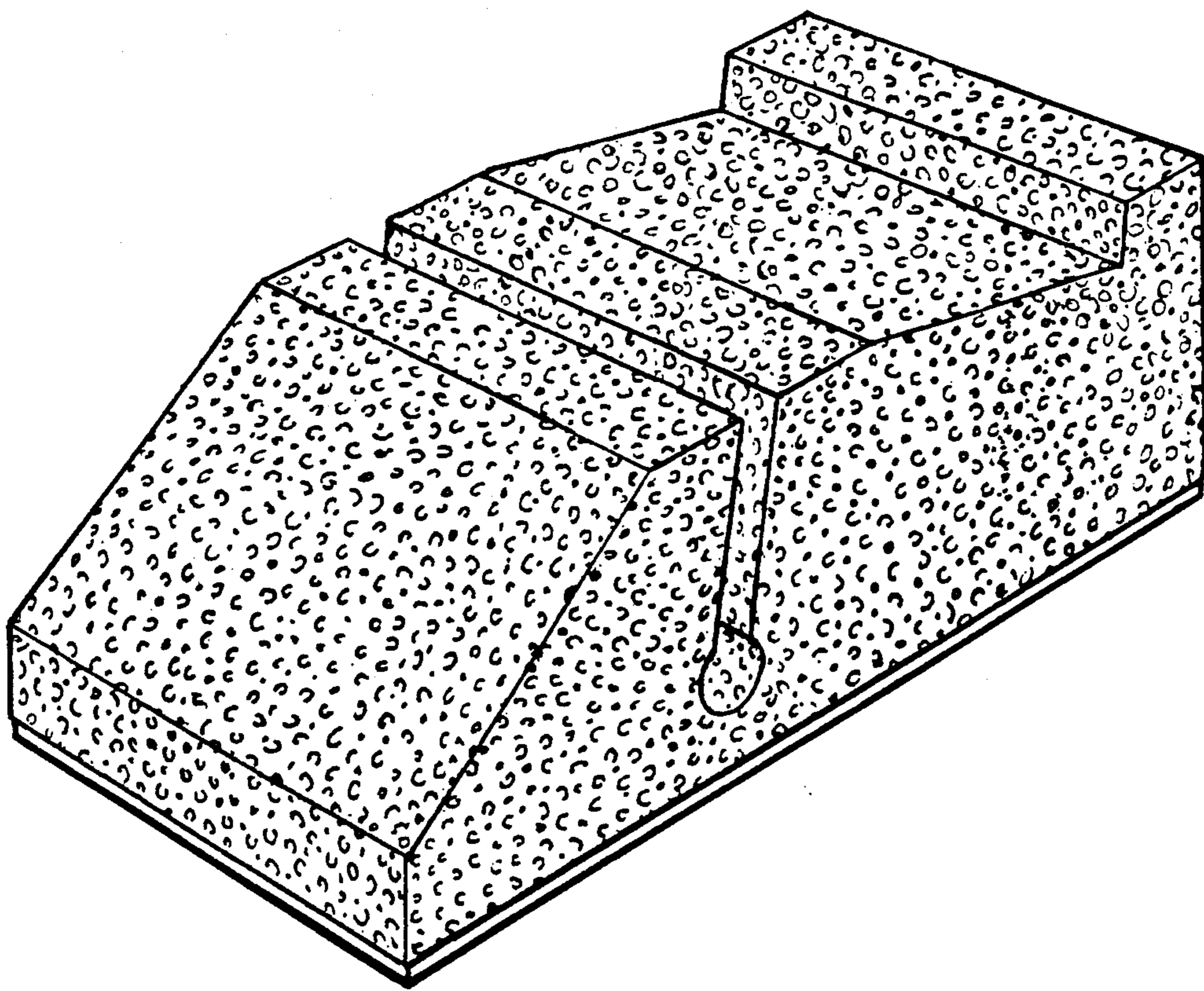


FIG. 6