

United States Patent [19]
Buteau

[11] **Patent Number: Des. 298,435**

[45] **Date of Patent: ** Nov. 8, 1988**

[54] **PAPER SHREDDER**

[75] **Inventor: Philippe Buteau, Paris, France**

[73] **Assignee: Societe d'Etude et de Construction
d'Appareils de Precision (S.E.C.A.P.),
Boulogne-Billancourt, France**

[**] **Term: 14 Years**

[21] **Appl. No.: 770,305**

[22] **Filed: Aug. 27, 1985**

[30] **Foreign Application Priority Data**

Mar. 6, 1985 [FR] France 85 1018

[52] **U.S. Cl. D15/127**

[58] **Field of Search D15/127; 241/285 R,
241/285 A, 285 B**

[56] **References Cited**

U.S. PATENT DOCUMENTS

D. 221,108 7/1971 Case D15/127

D. 265,910 8/1982 Hatanaka D15/127
D. 277,190 1/1985 Sadler D15/127

OTHER PUBLICATIONS

Office Products Dealer; 6/1983; p. 85; GBC Shredmaster Paper Shredder.

Primary Examiner—B. J. Bullock

Attorney, Agent, or Firm—Lackenbach Siegel Marzullo & Aronson

[57] **CLAIM**

The ornamental design for a paper shredder, as shown.

DESCRIPTION

FIG. 1 is a front elevational view of the paper shredder showing my new design;

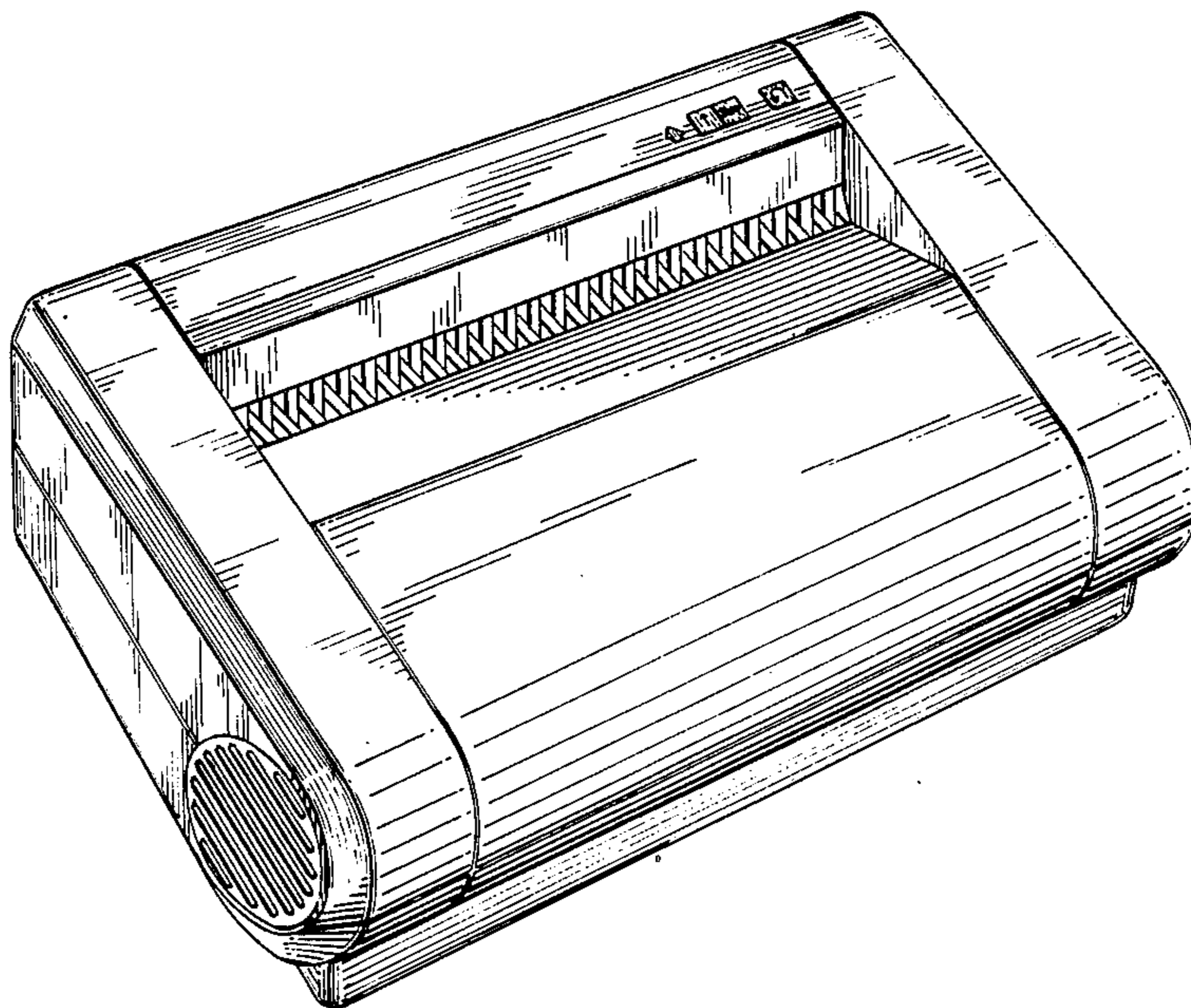
FIG. 2 is a rear elevational view thereof;

FIG. 3 is a top plan view thereof;

FIG. 4 is a bottom plan view thereof;

FIG. 5 is a right side elevational view thereof;

FIG. 6 is a left side elevational view thereof.



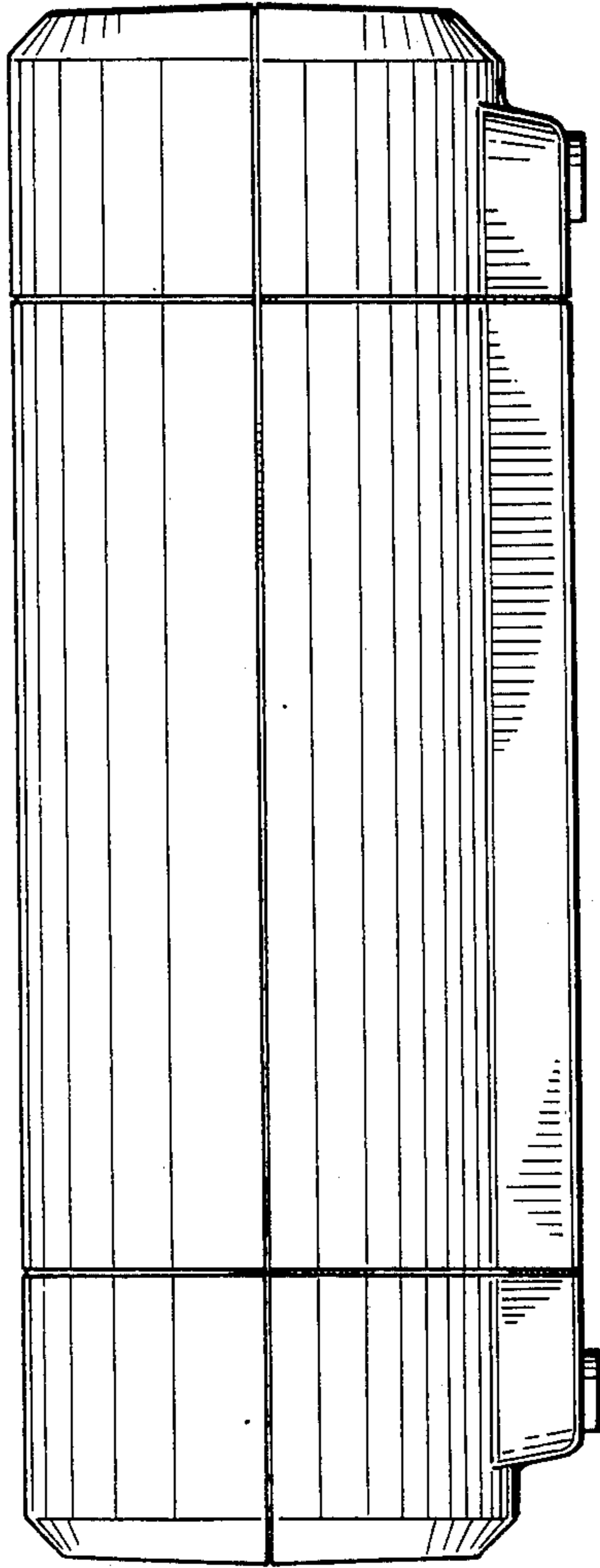


FIG. 1

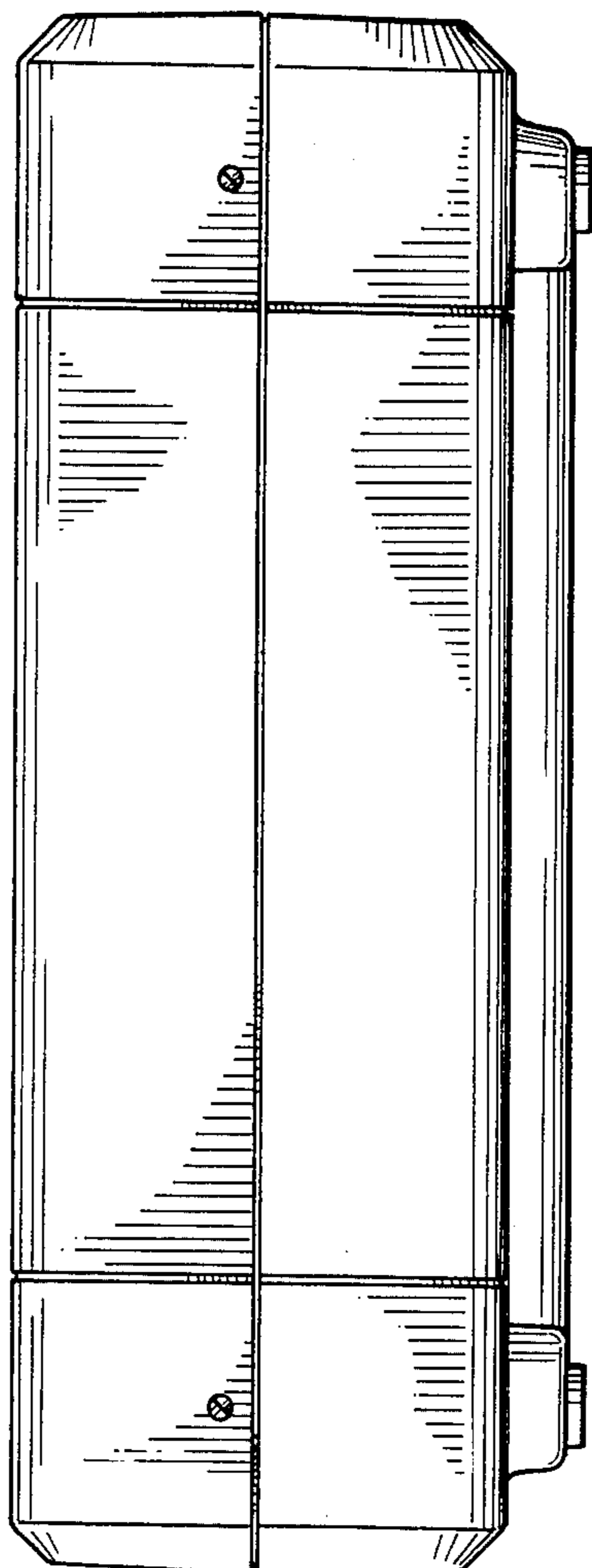


FIG. 2

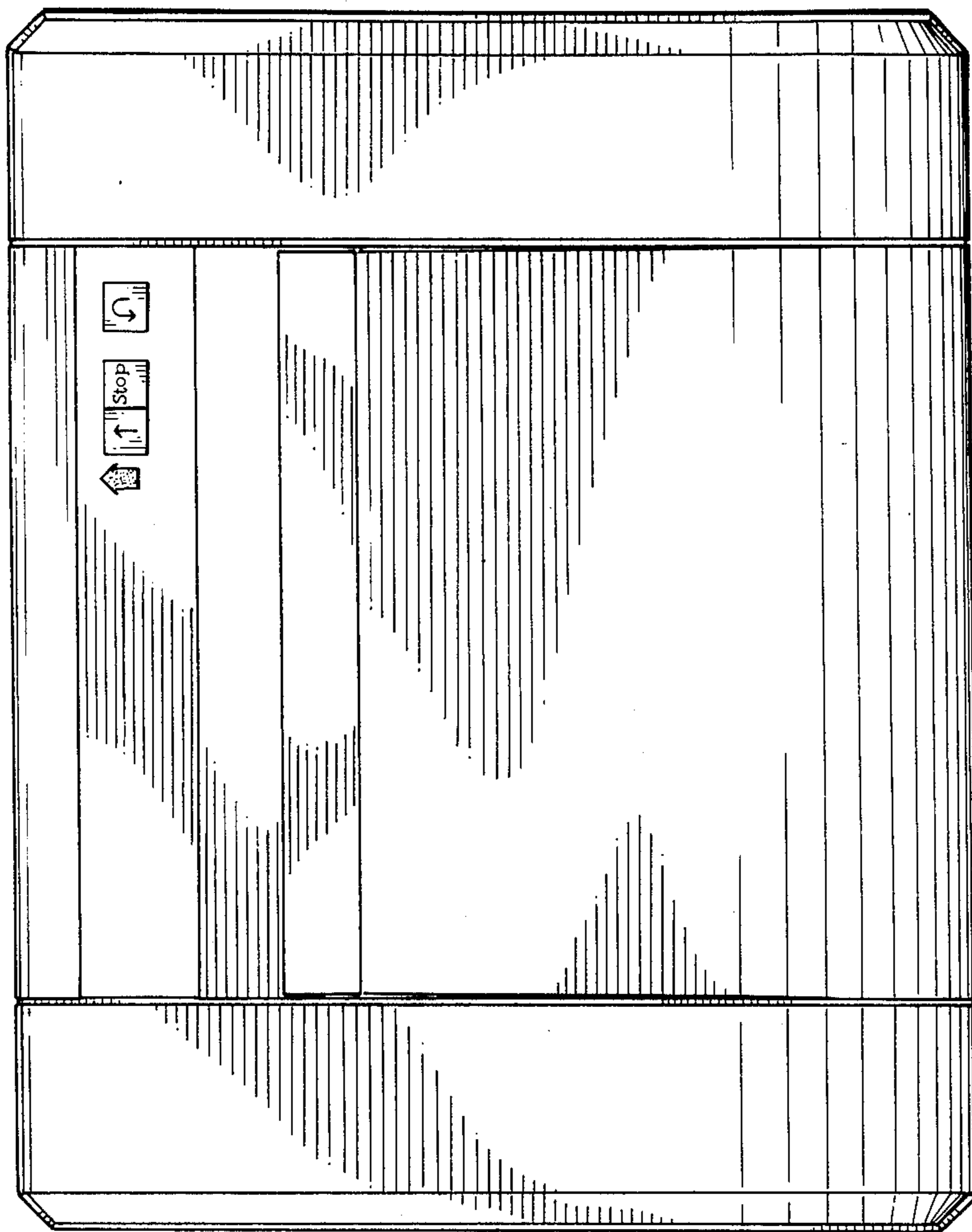


FIG. 3

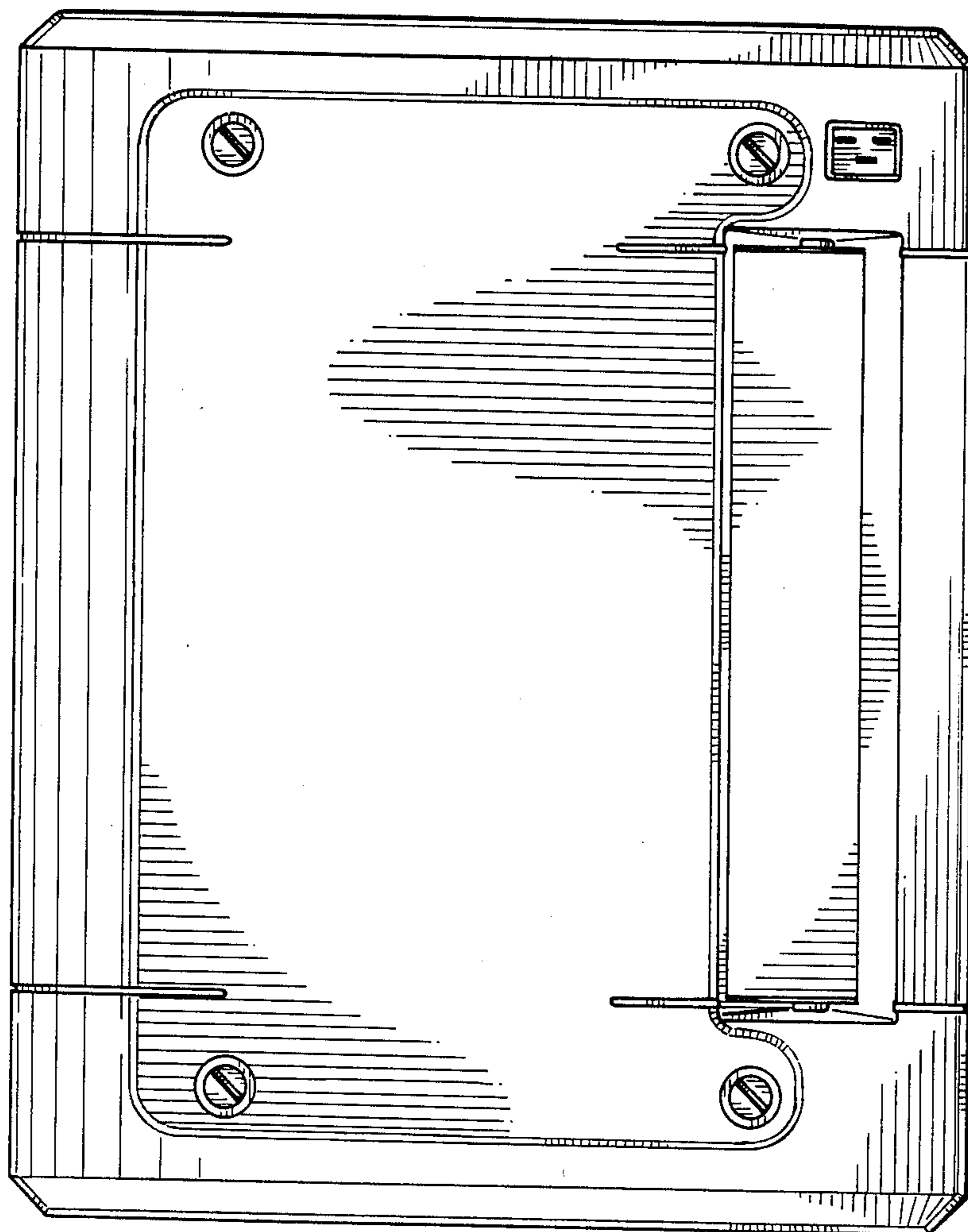


FIG. 4

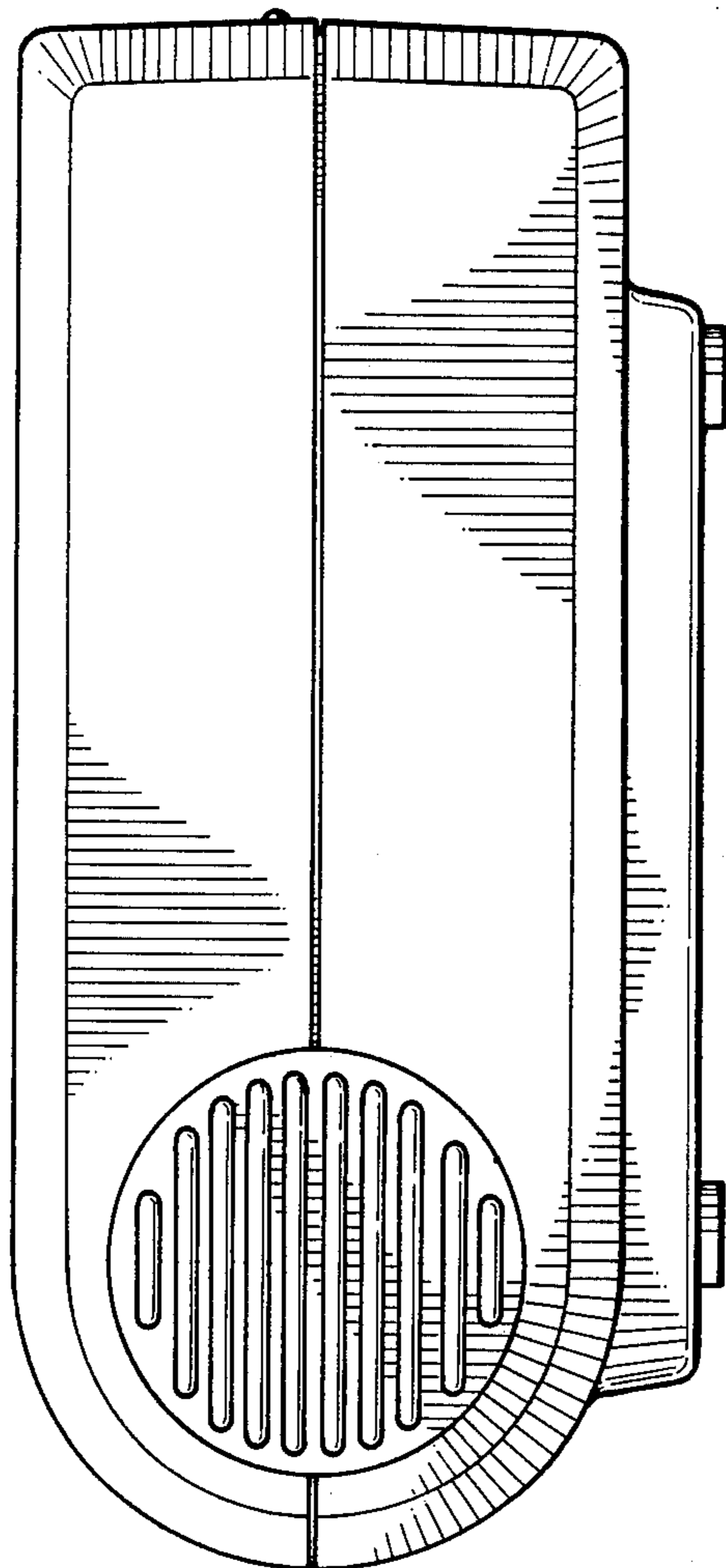


FIG. 5

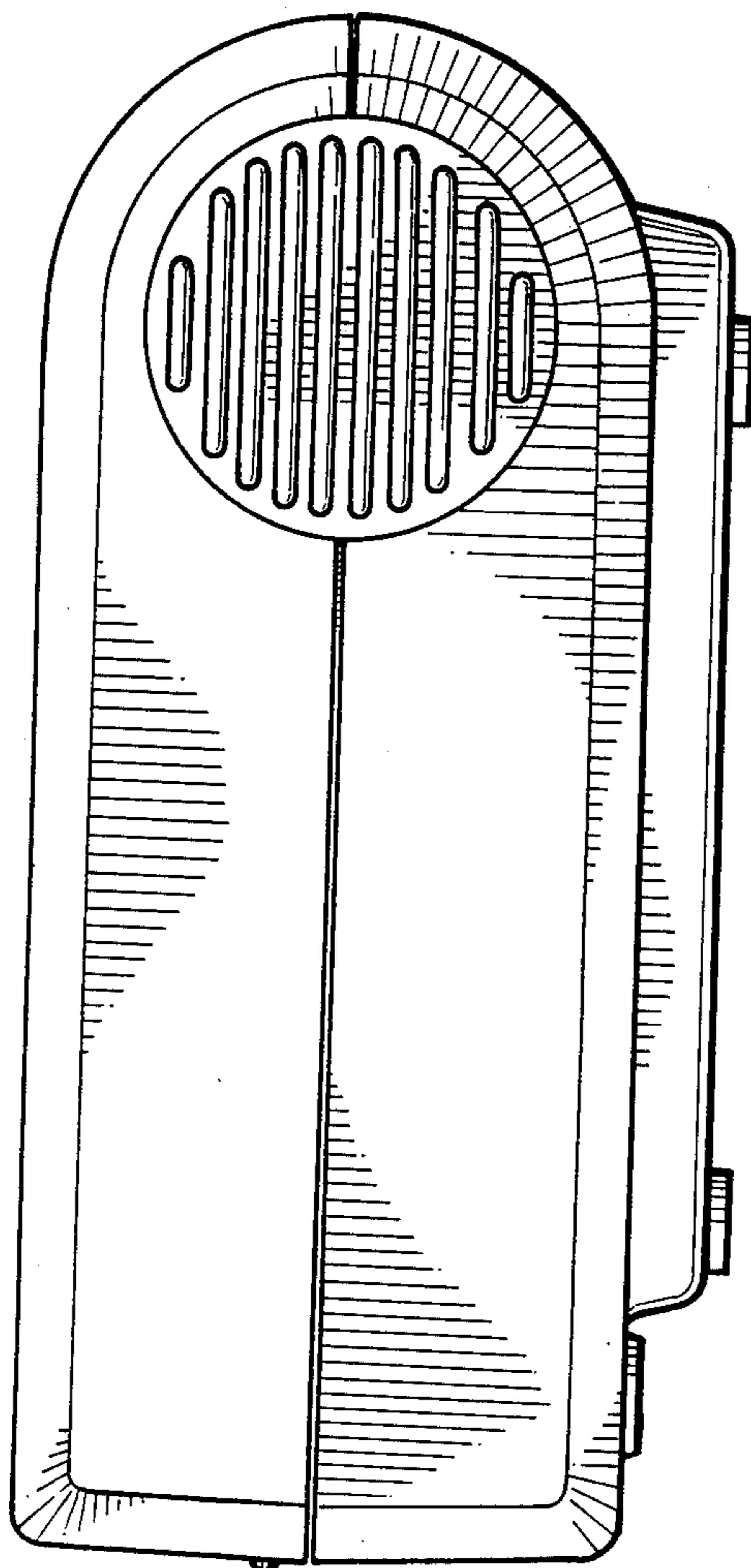


FIG. 6

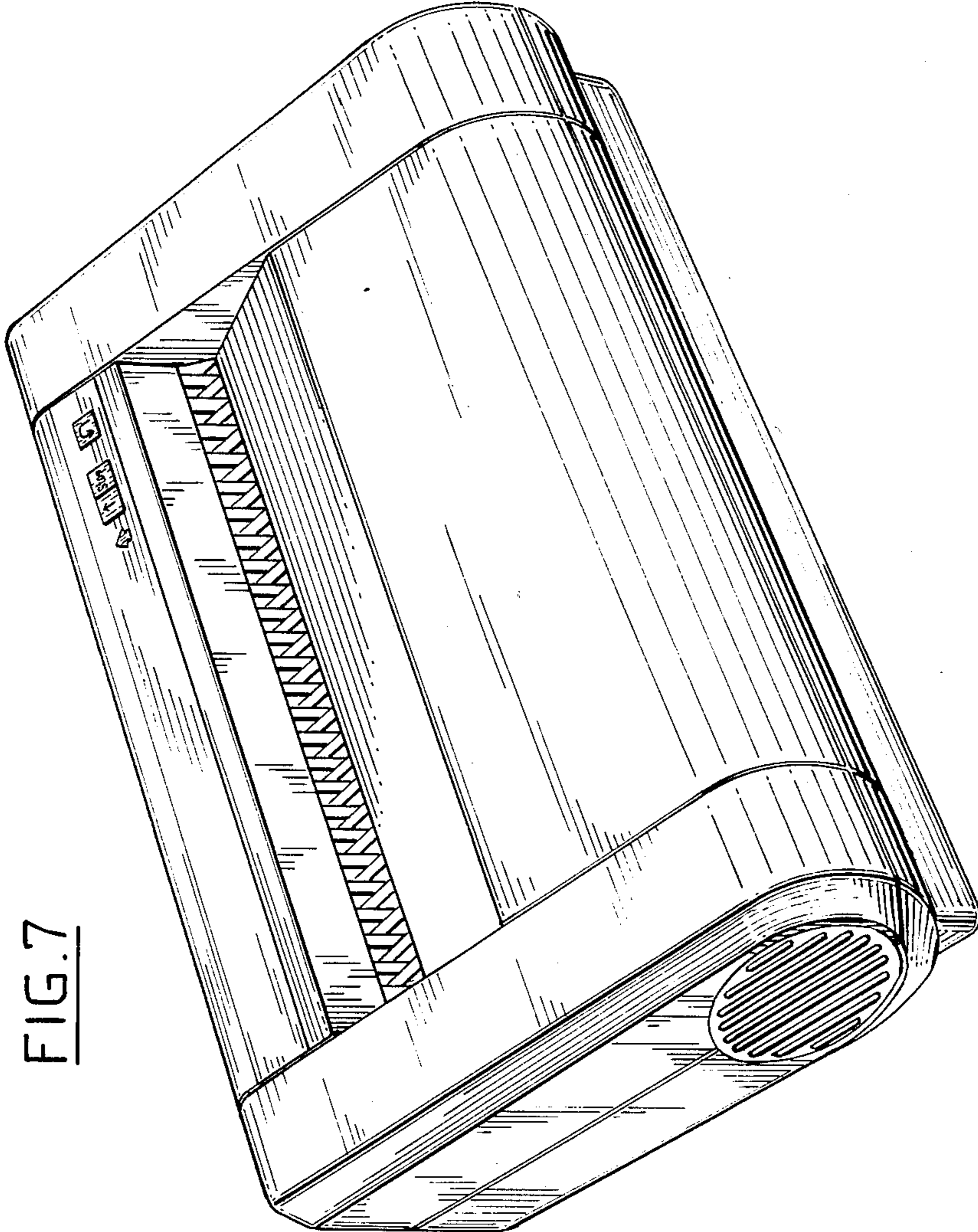


FIG. 7