

[54] **FLOATATION UNIT**
[75] **Inventor: John M. Kendle, Jr., Charleston, S.C.**
[73] **Assignee: Southern Dock & Marine, Inc.,
Charleston, S.C.**
[**] **Term: 14 Years**
[21] **Appl. No.: 780,186**
[22] **Filed: Sep. 26, 1985**
[52] **U.S. Cl. D12/316**
[58] **Field of Search D12/316; 114/266, 267,
114/263**

3,752,102 8/1973 Shaman 114/267
4,418,634 12/1983 Gerbus 114/263

Primary Examiner—Wallace R. Burke
Assistant Examiner—Kay H. Chin
Attorney, Agent, or Firm—Shefte, Pinckney & Sawyer

[57] **CLAIM**

The ornamental design for a floatation unit, as shown and described.

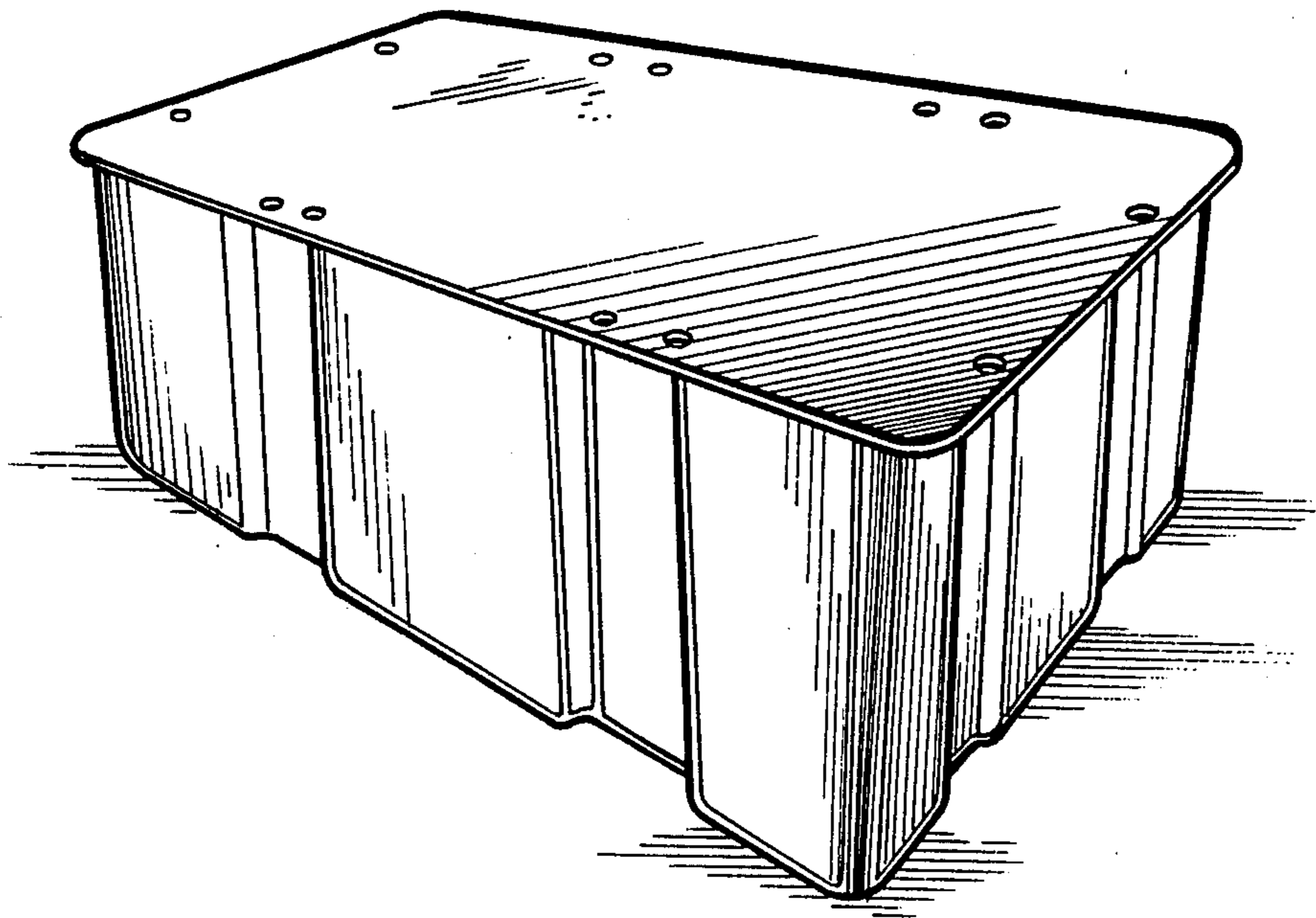
DESCRIPTION

FIG. 1 is a perspective view of a floatation unit showing my new design;
FIG. 2 is a right side elevational view thereof, the left side elevational view being a mirror image of that shown;
FIG. 3 is an end elevational view thereof, the opposite end elevational view being a mirror image of that shown;
FIG. 4 is a top plan view thereof; and
FIG. 5 is a bottom plan view thereof.

[56] **References Cited**

U.S. PATENT DOCUMENTS

D. 198,293 5/1964 Coffey D12/316
D. 270,529 9/1983 Thompson D12/316
D. 283,220 4/1986 Collier D12/316
3,193,855 7/1965 Chapman 114/267



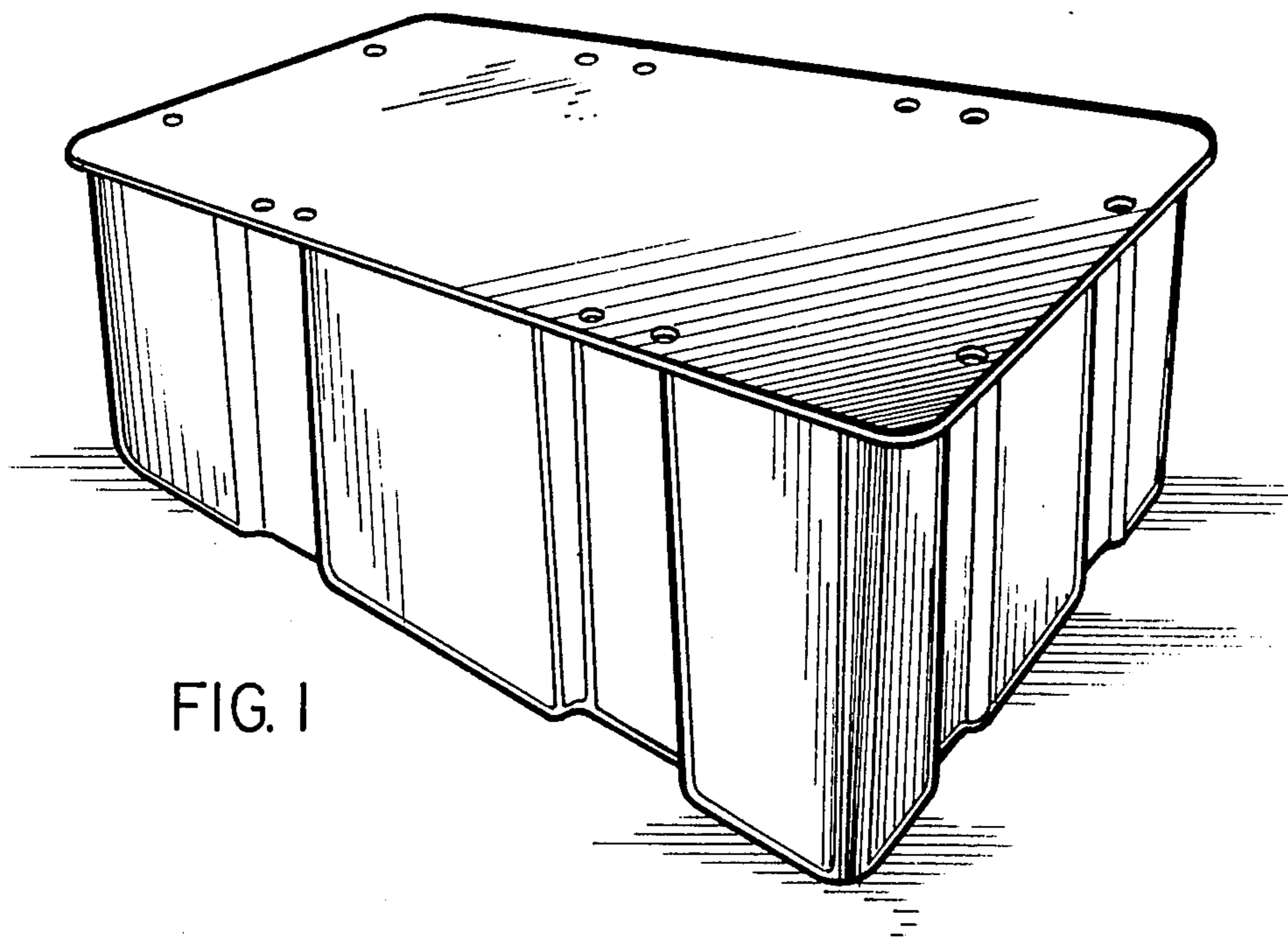


FIG. 2

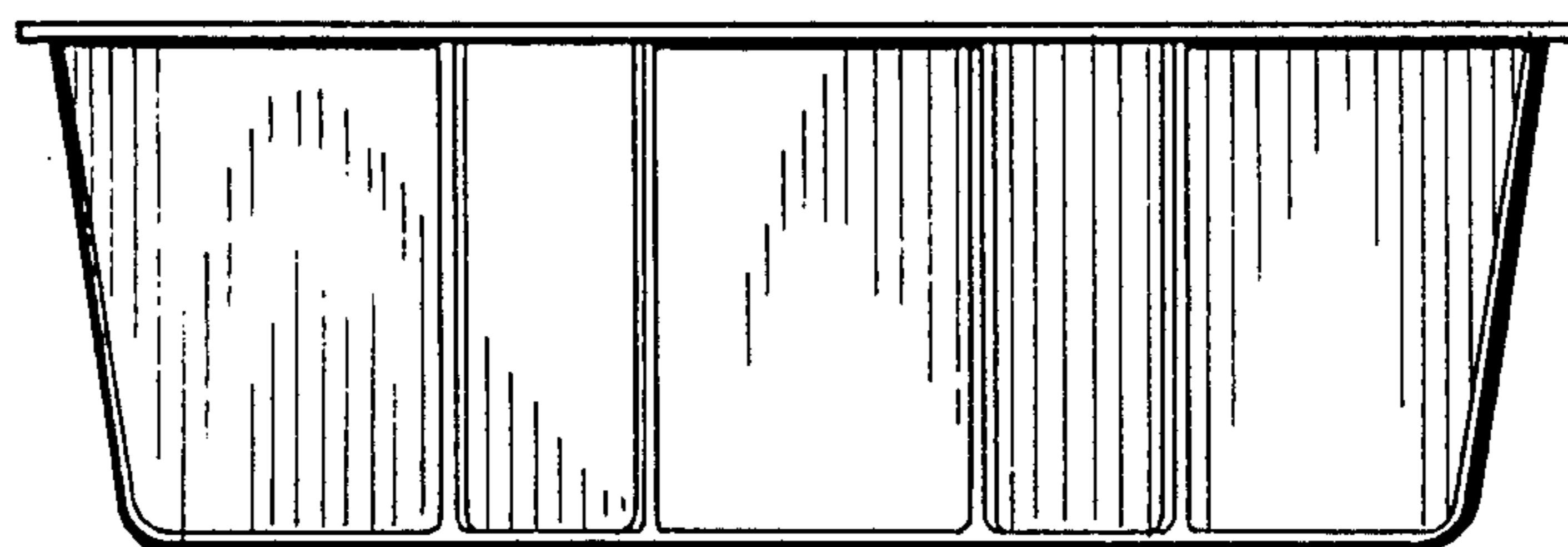


FIG. 4

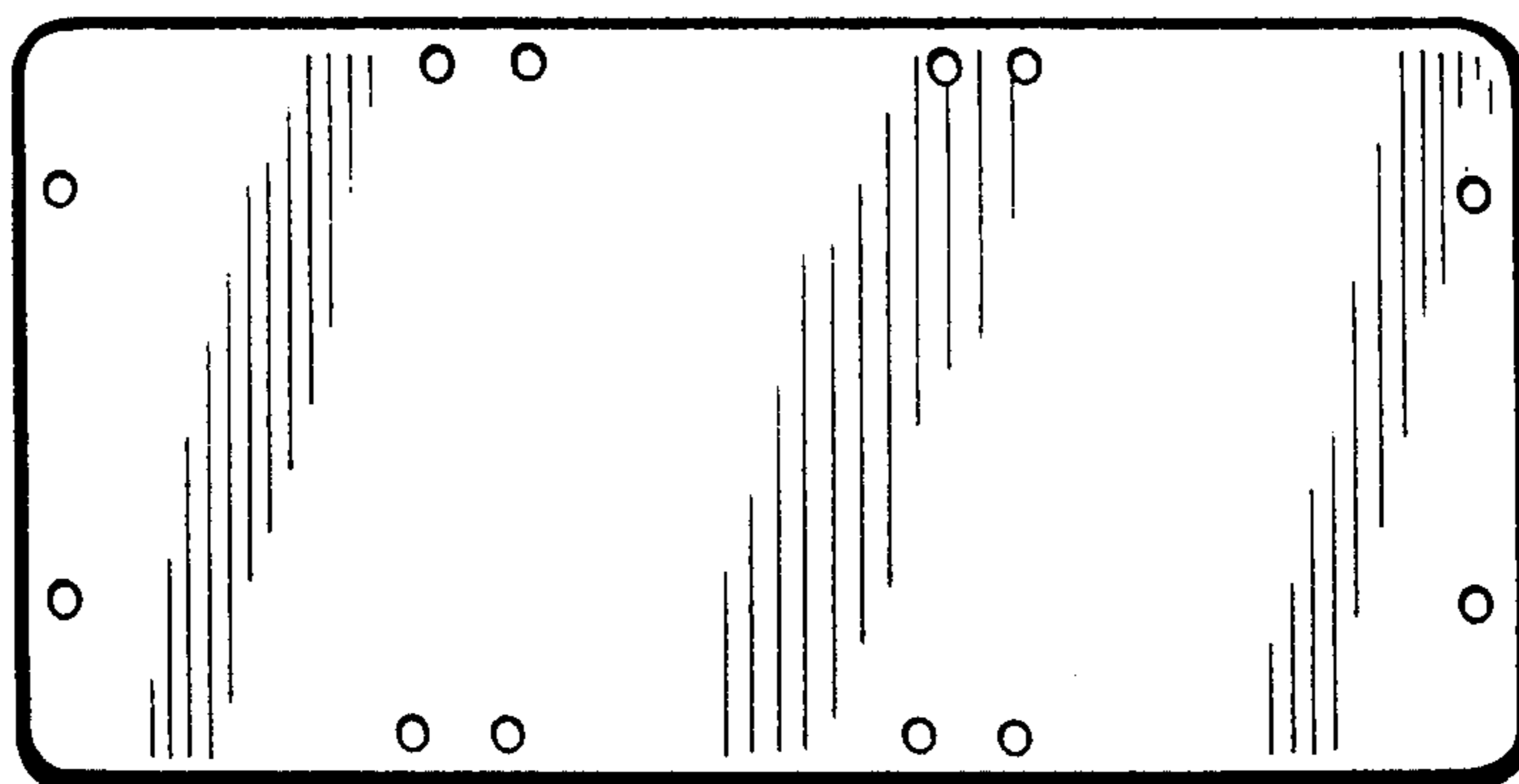


FIG. 3

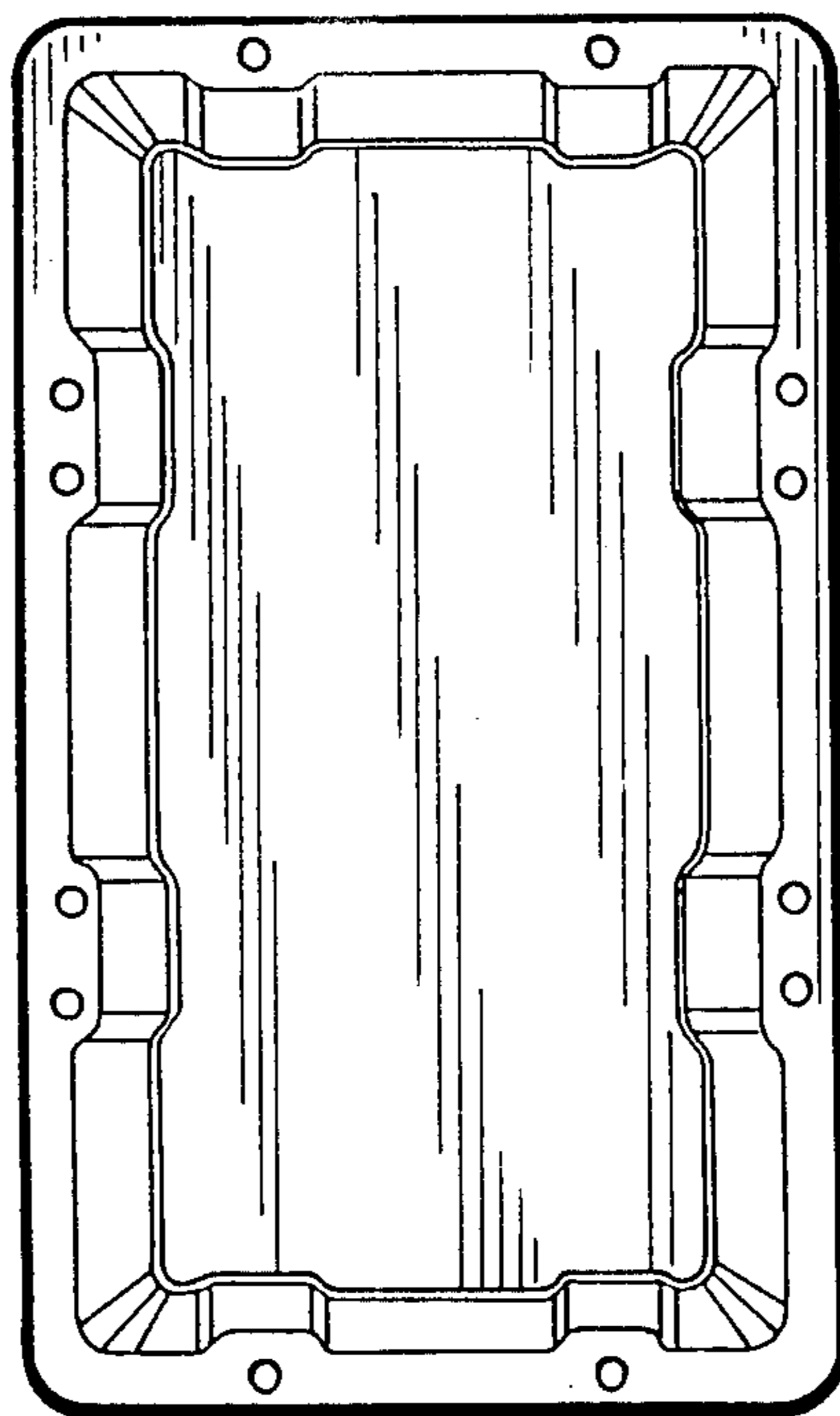
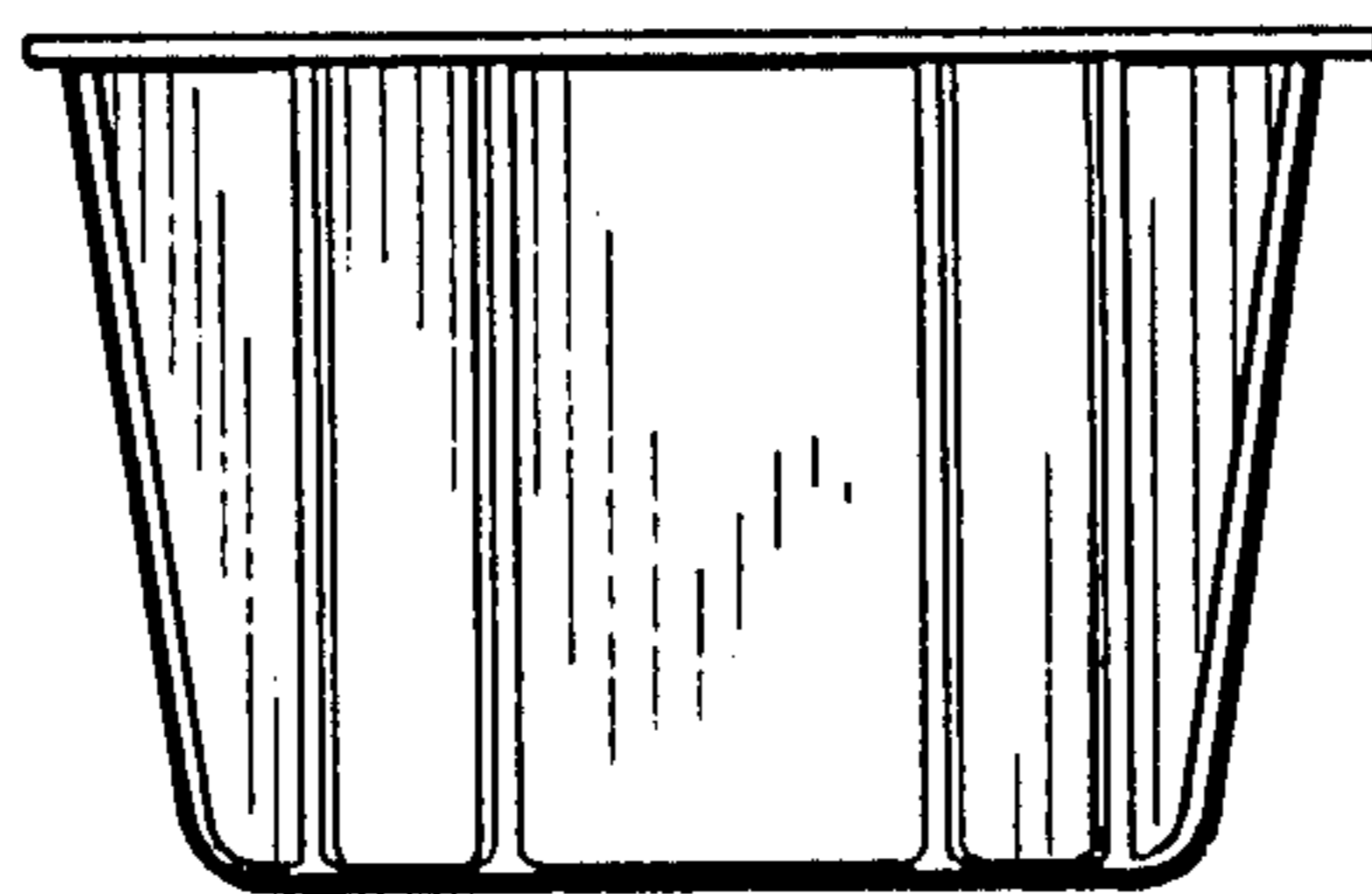


FIG. 5