

# United States Patent [19]

Jönsas

[11] Patent Number: **Des. 298,427**

[45] Date of Patent: **\*\* Nov. 8, 1988**

[54] **VEHICLE SUN VISOR**

[75] Inventor: **Mats Jönsas, Mora, Sweden**

[73] Assignee: **Autopart Sweden Aktiebolag,  
Malung, Sweden**

[\*\*] Term: **14 Years**

[21] Appl. No.: **835,304**

[22] Filed: **Mar. 3, 1986**

[30] **Foreign Application Priority Data**

Sep. 5, 1985 [SE] Sweden ..... 85-2072

[52] U.S. Cl. .... **D12/191**

[58] Field of Search ..... D12/191; 296/97 R, 97 A,  
296/97 C, 97 K

[56] **References Cited**

### U.S. PATENT DOCUMENTS

1,965,839 7/1934 Holt ..... 296/97 C  
2,542,409 2/1951 Guenther ..... D12/191

*Primary Examiner*—James M. Gandy  
*Attorney, Agent, or Firm*—Young & Thompson

[57] **CLAIM**

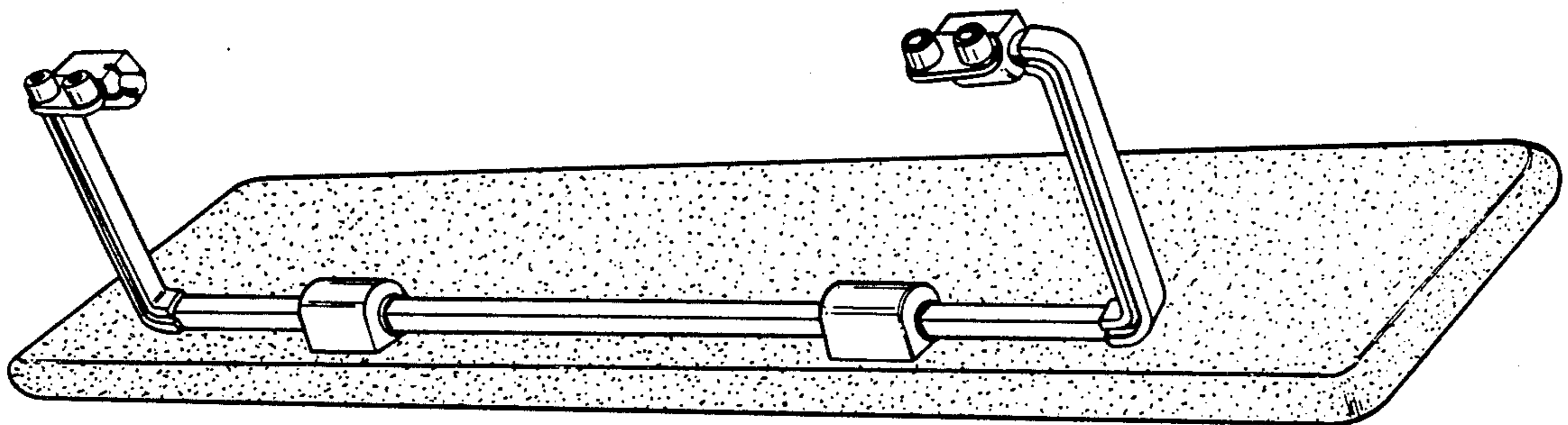
The ornamental design for a vehicle sun visor, as shown.

### DESCRIPTION

FIG. 1 is a rear perspective view of a vehicle sun visor, showing my new design;

FIG. 2 is a front perspective view thereof; and

FIG. 3 is a rear perspective view from the side opposite that shown in FIG. 1.



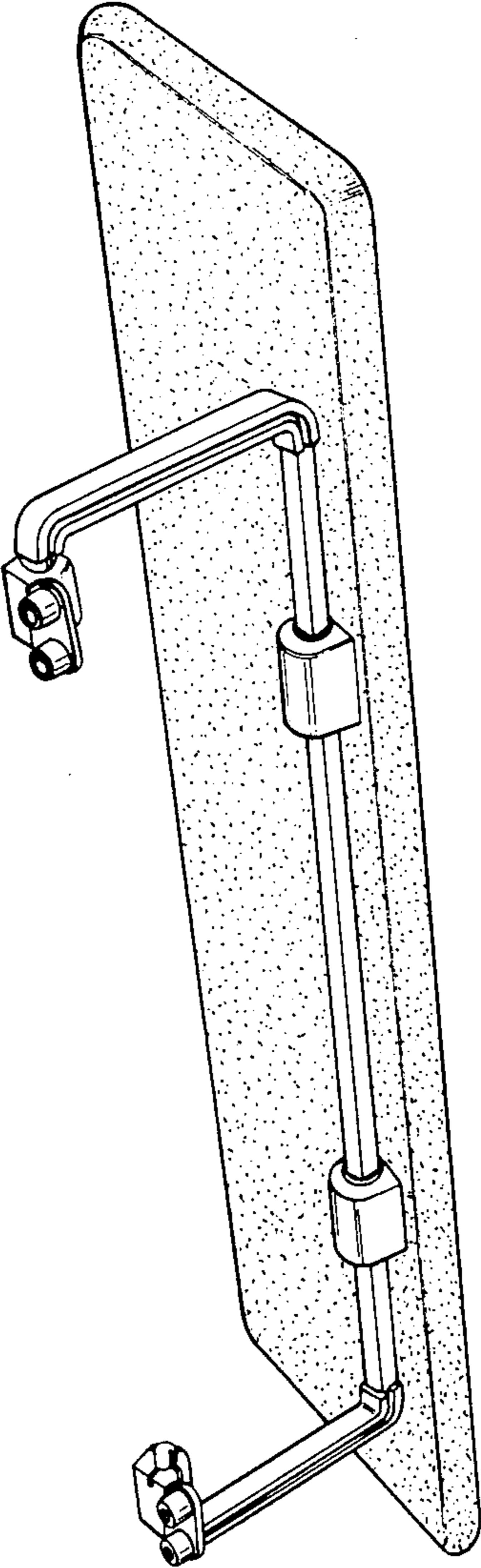


FIG. 1

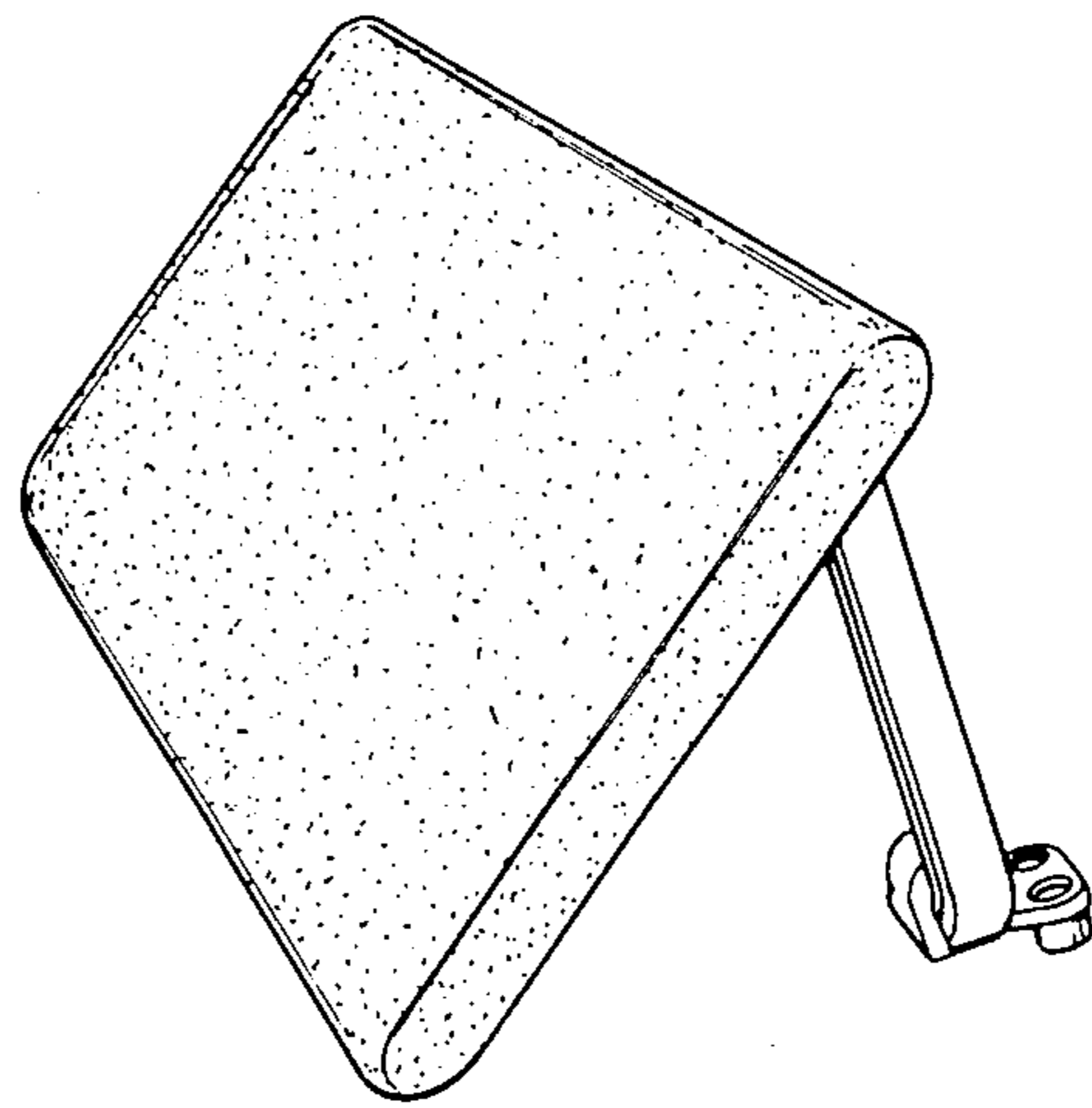


FIG. 2

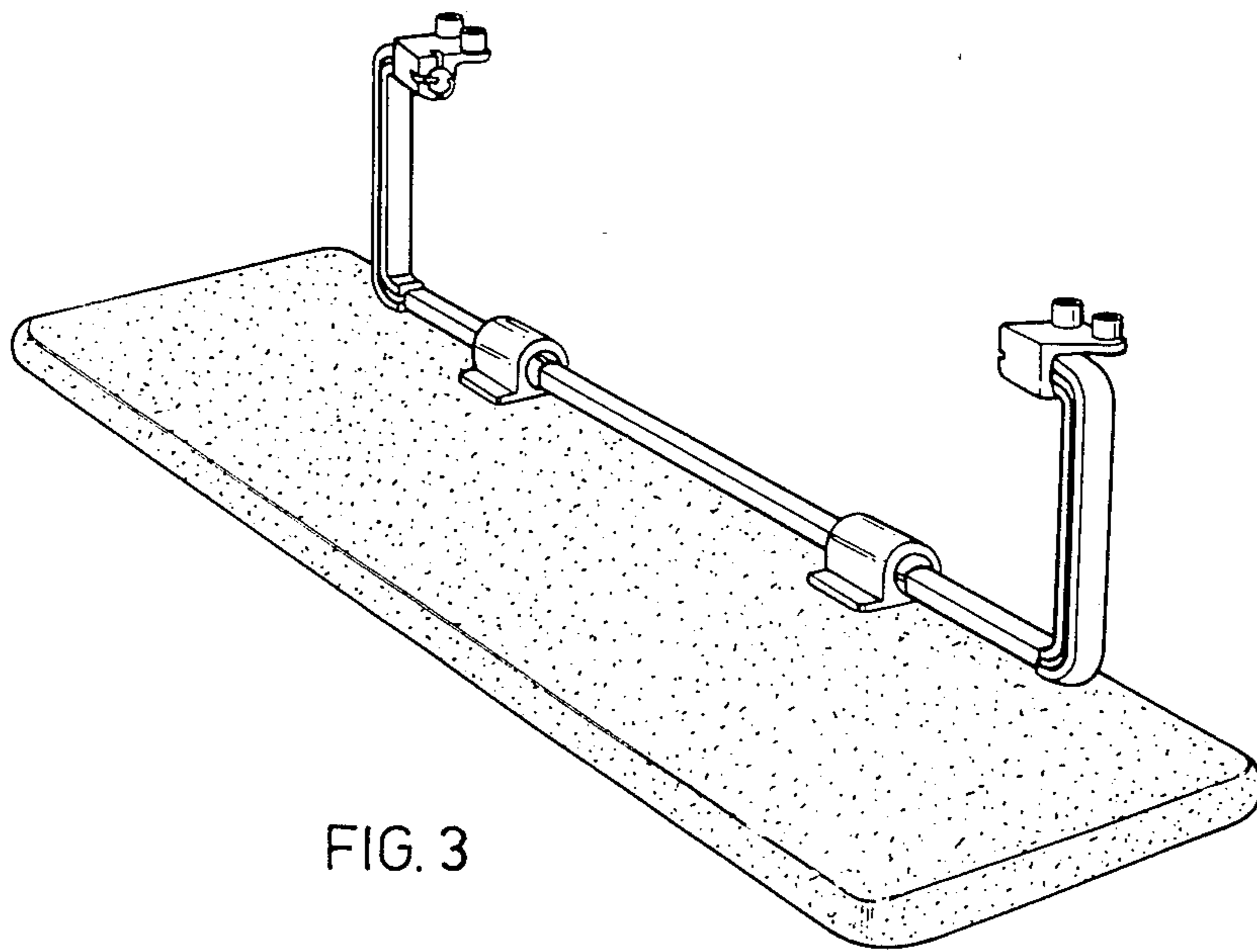


FIG. 3