

[54] **RADIATOR GRILLE FOR AN AUTOMOBILE**

[75] **Inventor: Hideto Kikuchi, Hachioji, Japan**

[73] **Assignee: Toyota Jidosha Kabushiki Kaisha, Toyota, Japan**

[\*\*] **Term: 14 Years**

[21] **Appl. No.: 898,603**

[22] **Filed: Aug. 21, 1986**

[52] **U.S. Cl. .... D12/163**

[58] **Field of Search ..... D12/163; 180/68.6**

[56] **References Cited**

**U.S. PATENT DOCUMENTS**

- D. 283,019 3/1986 Teague et al. .... D12/163
- D. 286,275 10/1986 Katoh et al. .... D12/163
- D. 286,998 12/1986 Okumura ..... D12/163
- D. 287,712 1/1987 Shimazaki ..... D12/163
- D. 287,843 1/1987 Katoh et al. .... D12/163

**FOREIGN PATENT DOCUMENTS**

640066 1/1984 Japan .

*Primary Examiner*—James M. Gandy  
*Attorney, Agent, or Firm*—Cushman, Darby & Cushman

[57] **CLAIM**

The ornamental design for a radiator grille for an automobile, as shown.

**DESCRIPTION**

FIG. 1 is a top, front perspective view of a radiator grille for an automobile showing my new design;  
FIG. 2 is a bottom, front perspective view showing the bottom not shown in FIG. 1;  
FIG. 3 is an enlarged front elevational view of FIG. 1;  
FIG. 4 is an enlarged rear elevational view of FIG. 1;  
FIG. 5 is an enlarged top plan view of FIG. 1;  
FIG. 6 is an enlarged bottom plan view of FIG. 1;  
FIG. 7 is an enlarged left side elevational view of FIG. 1;  
FIG. 8 is an enlarged right side elevational view of FIG. 1;  
FIG. 9 is a cross-sectional view taken along a line IX—IX of FIG. 3; and  
FIG. 10 is another cross-sectional view taken along a line X—X of FIG. 3.

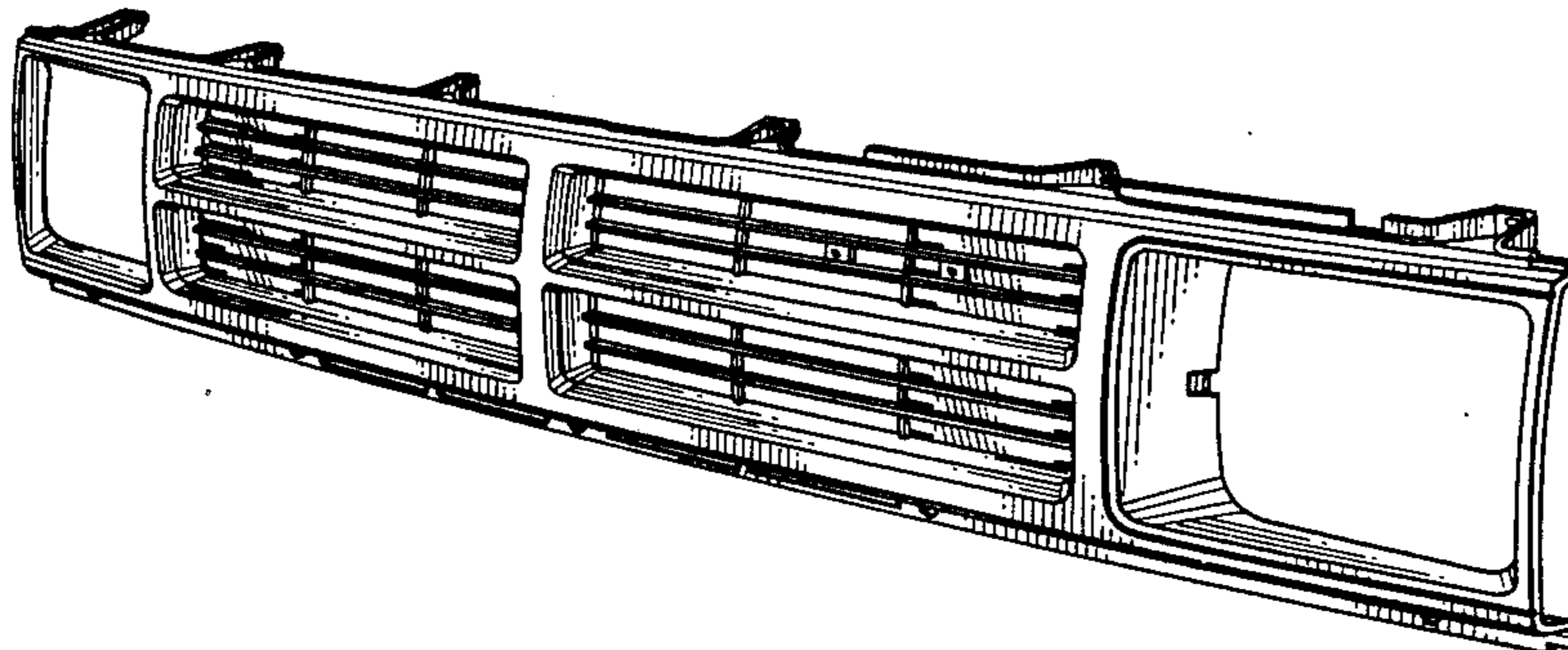


Fig. 1

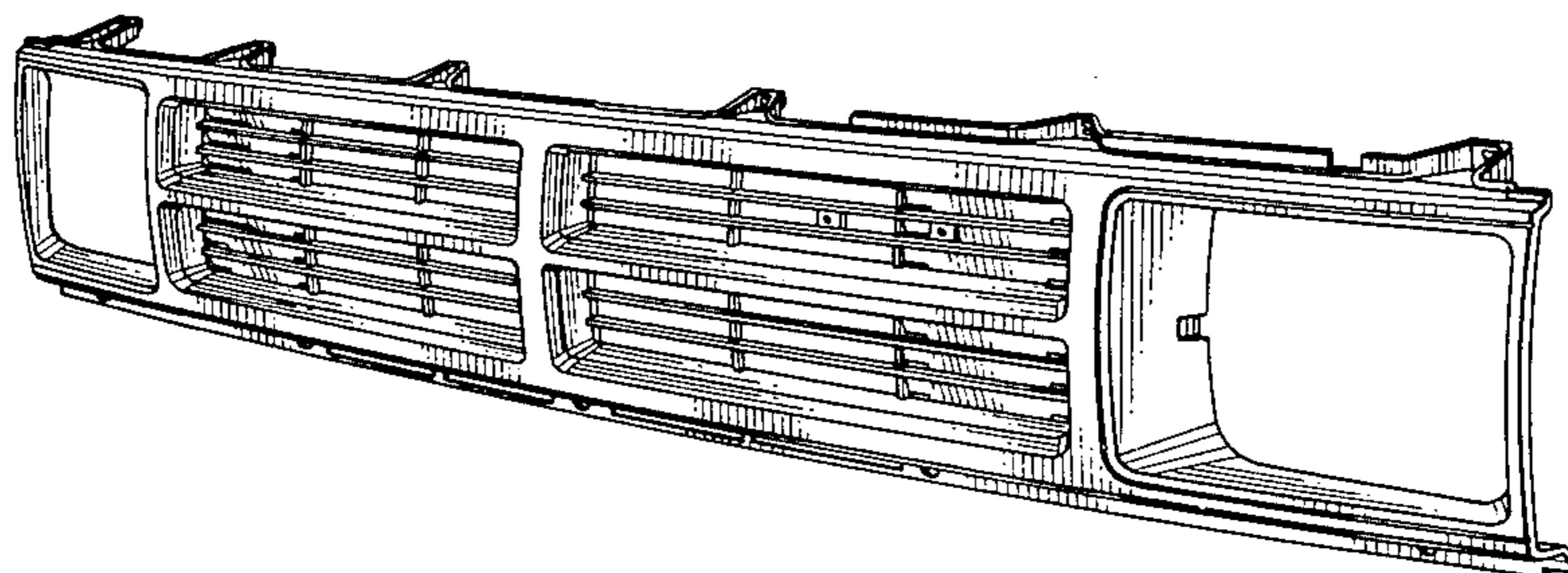


Fig. 2

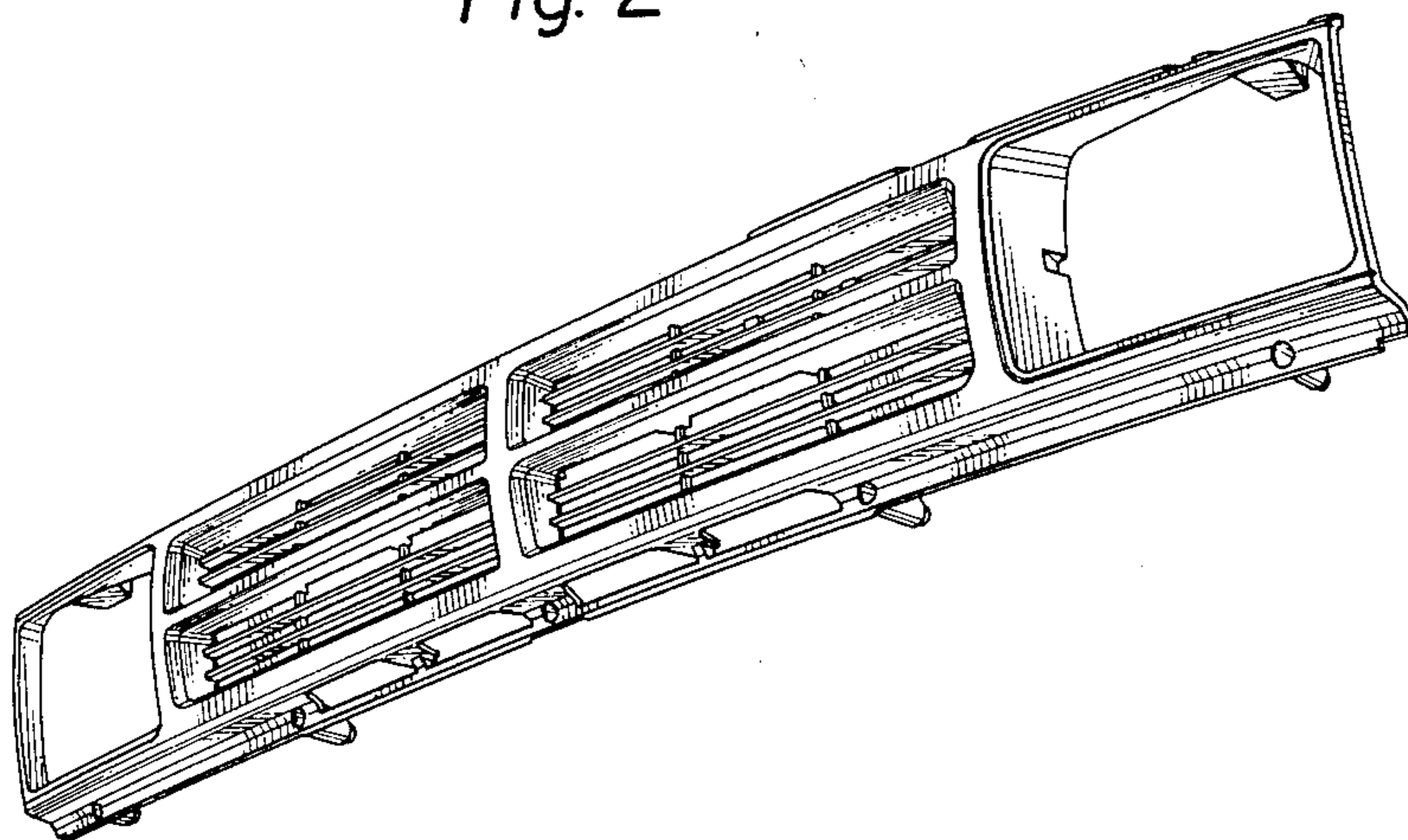


Fig. 3

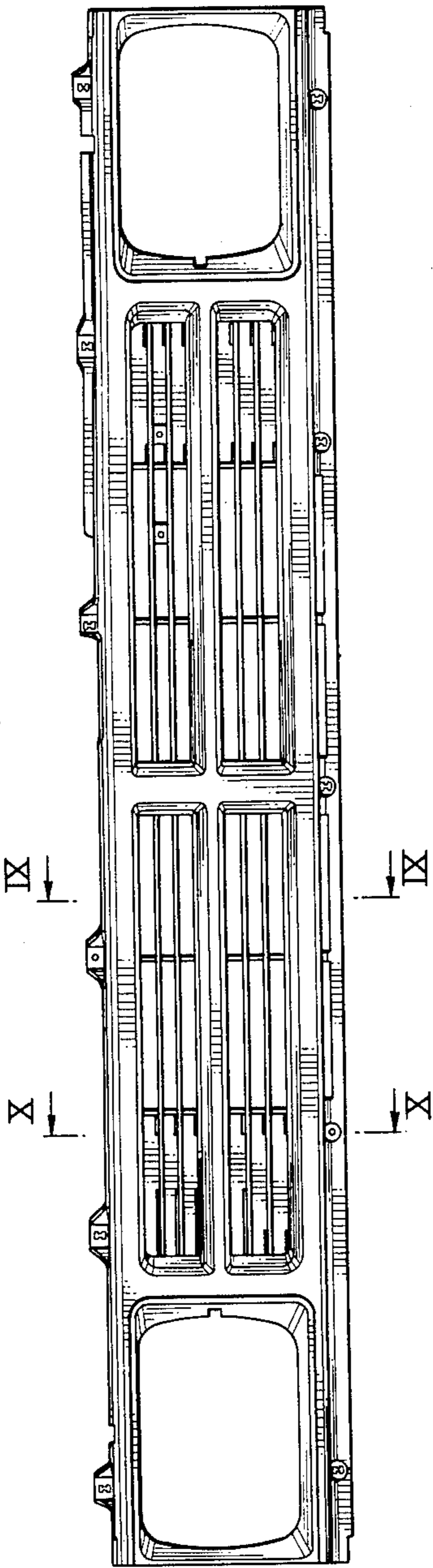


Fig. 4

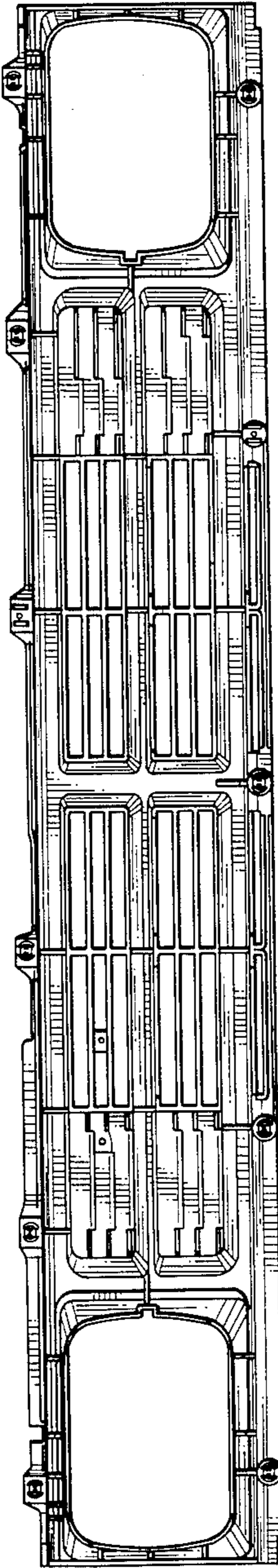


Fig. 5

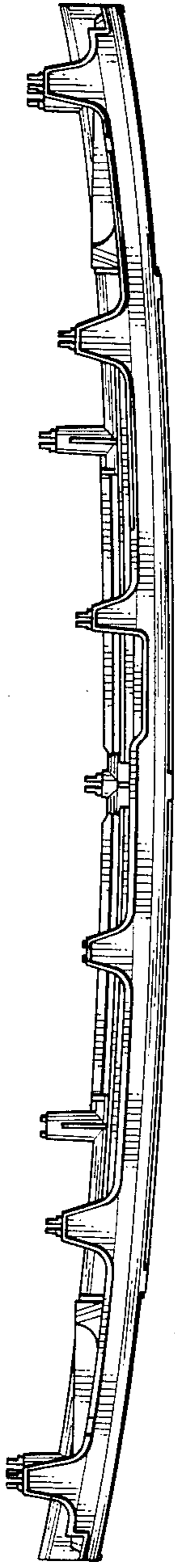


Fig. 6

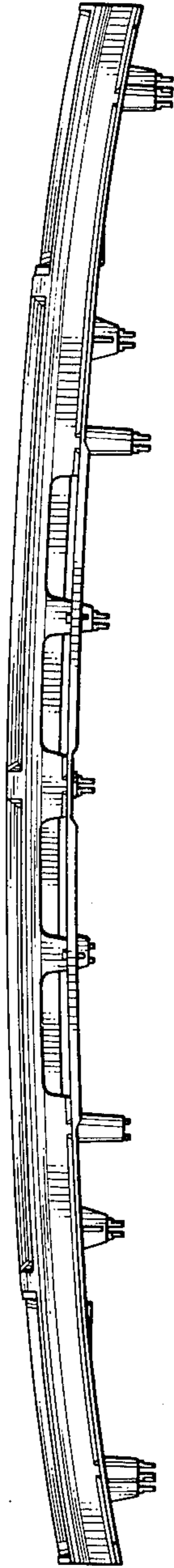


Fig. 7

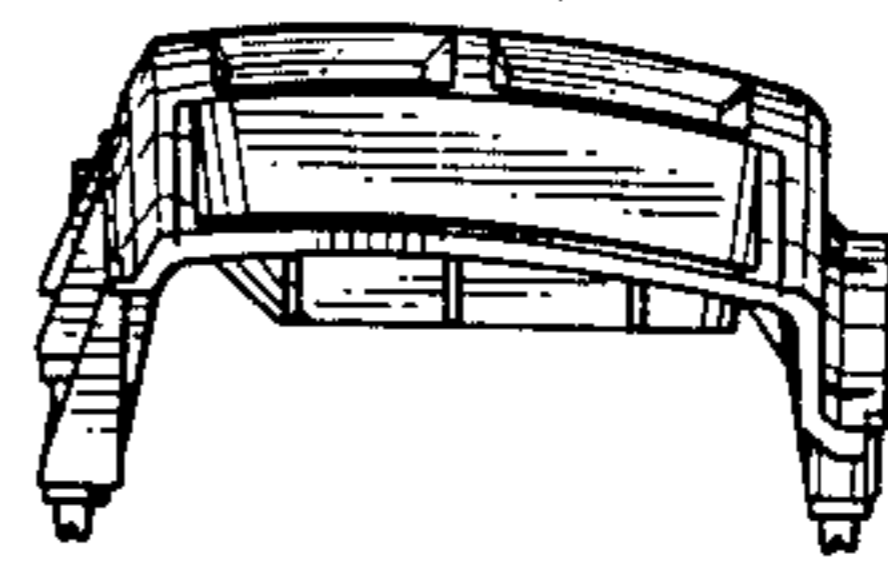


Fig. 8

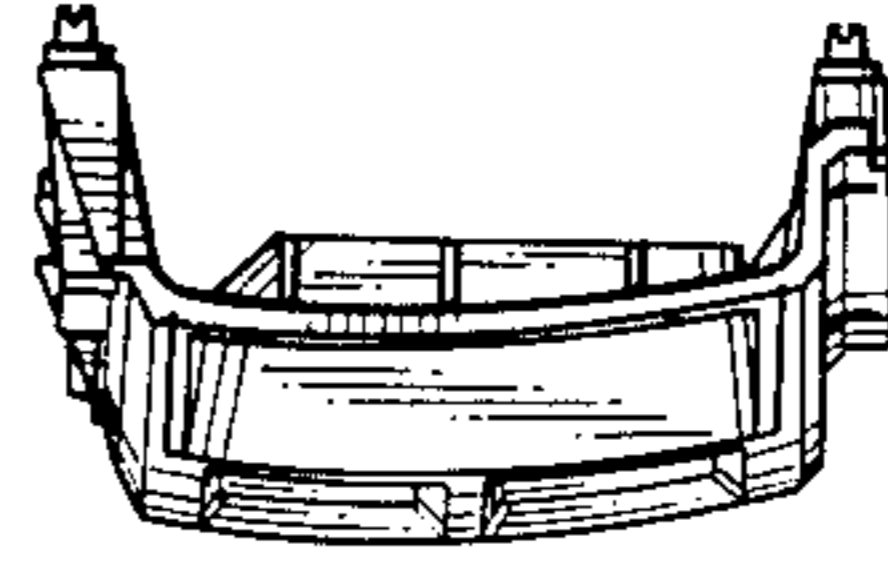


Fig. 9



Fig. 10

