

[54] **AUTOMOBILE RADIATOR GRILL**

[75] **Inventor: Ryuzo Kubo, Fujisawa, Japan**
[73] **Assignee: Nissan Motor Co., Ltd., Yokohama, Japan**
[**] **Term: 14 Years**
[21] **Appl. No.: 872,457**
[22] **Filed: Jun. 9, 1986**

[30] **Foreign Application Priority Data**

Dec. 23, 1985 [JP] Japan 60-53411
[52] **U.S. Cl. D12/163**
[58] **Field of Search D12/163; 180/68.6**

[56] **References Cited**

U.S. PATENT DOCUMENTS

D. 274,234 6/1984 Koyanagi D12/163
D. 289,628 5/1987 Hamasaki D12/163

OTHER PUBLICATIONS

1984 Ford Tempo Catalog, p. 12, front grill of Ford Tempo, top of page.
Motor Trend, 1/85, p. 67, front grill of 205 GTi Turbo, lower center of page.
Board & Track, 11/85, p. 55, front grill of Mazda 626, top of page.

Primary Examiner—James M. Gandy
Attorney, Agent, or Firm—Foley & Lardner, Schwartz, Jeffery, Schwaab, Mack, Blumenthal & Evans

[57] **CLAIM**

The ornamental design for an automobile radiator grill, as shown.

DESCRIPTION

FIG. 1 is a perspective view of an automobile radiator grill showing the new design;
FIG. 2 is a front elevation view thereof;
FIG. 3 is a rear elevation view thereof;
FIG. 4 is a top plan view thereof;
FIG. 5 is a bottom plan view thereof; and
FIG. 6 is a right side elevation view thereof, it being understood that the left side elevation view is a mirror image thereof.

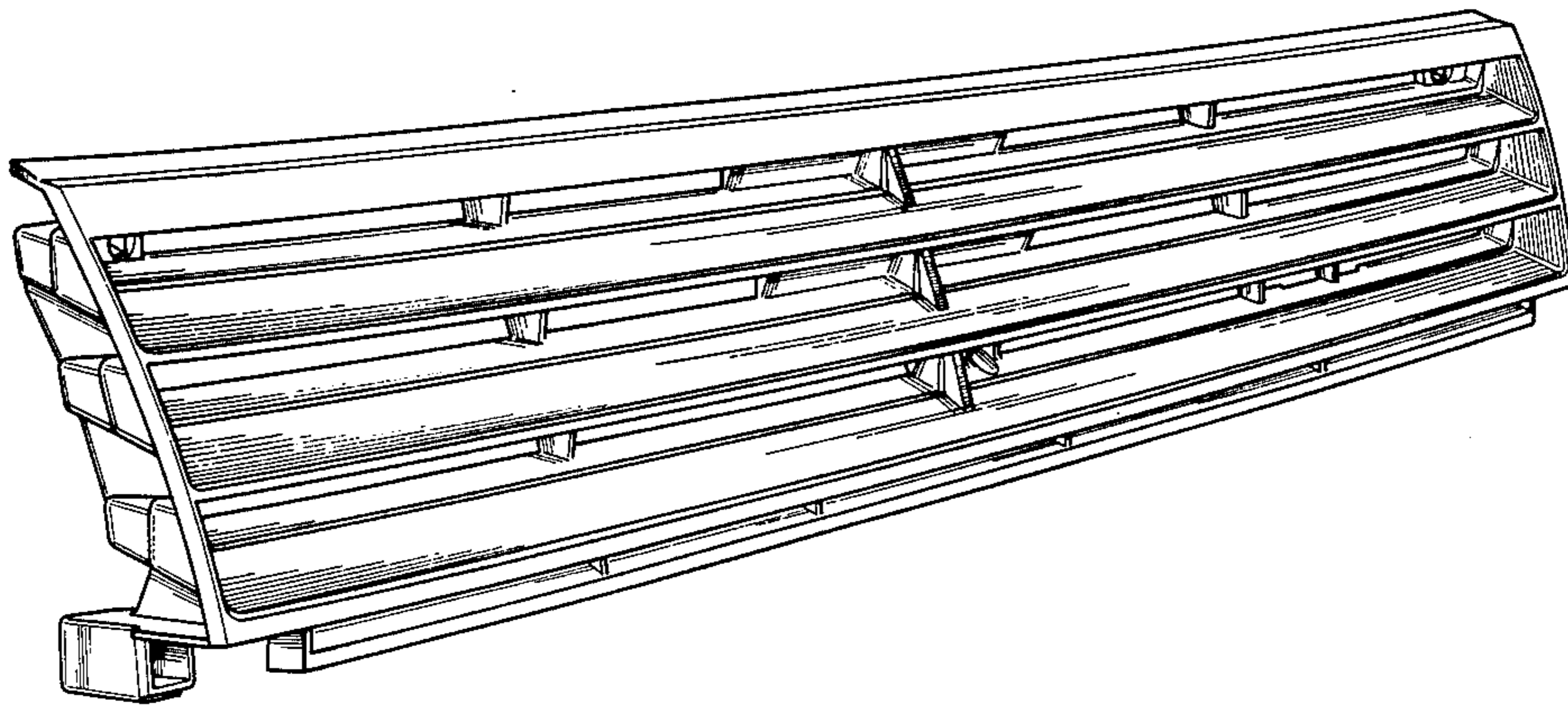


FIG. 1

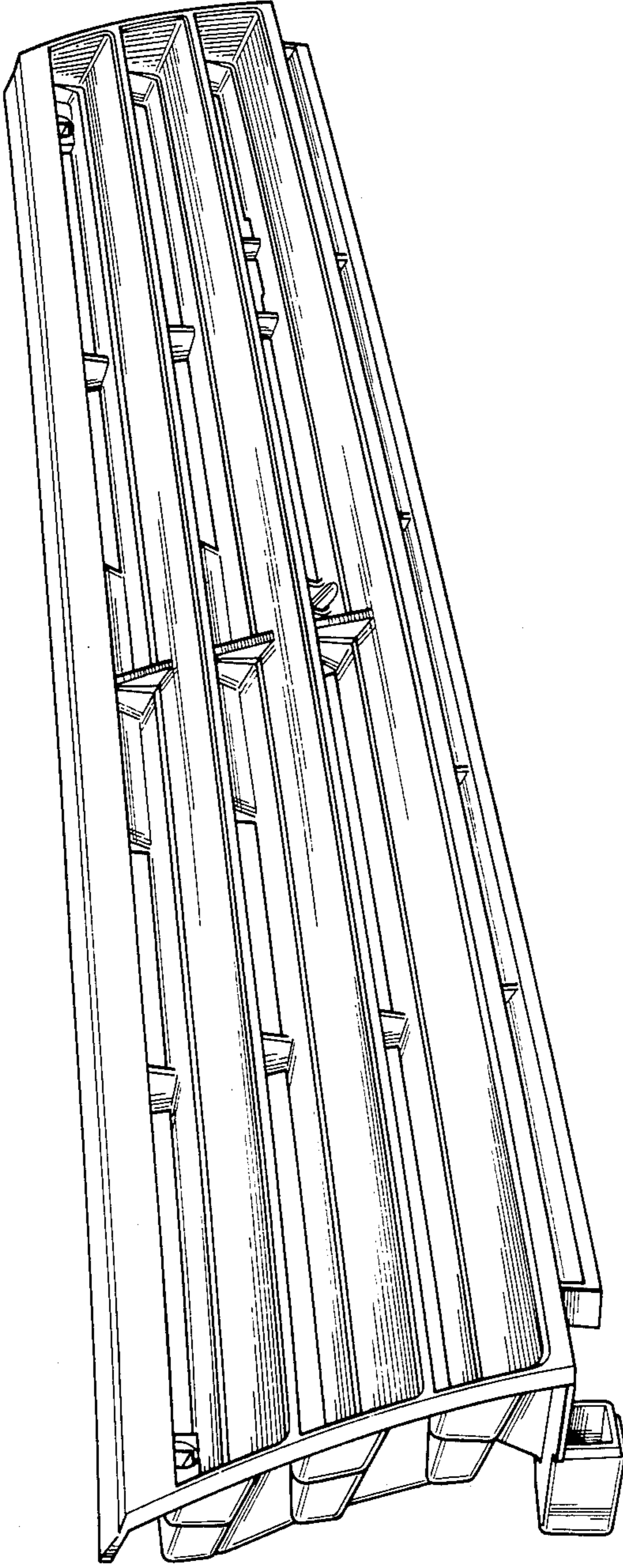


FIG. 4

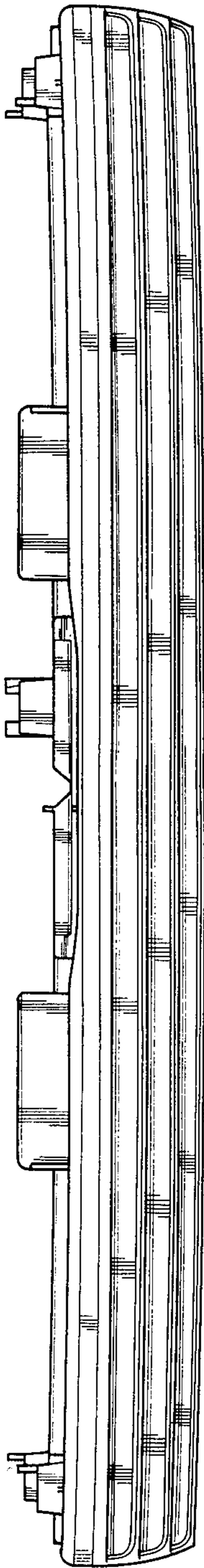


FIG. 2

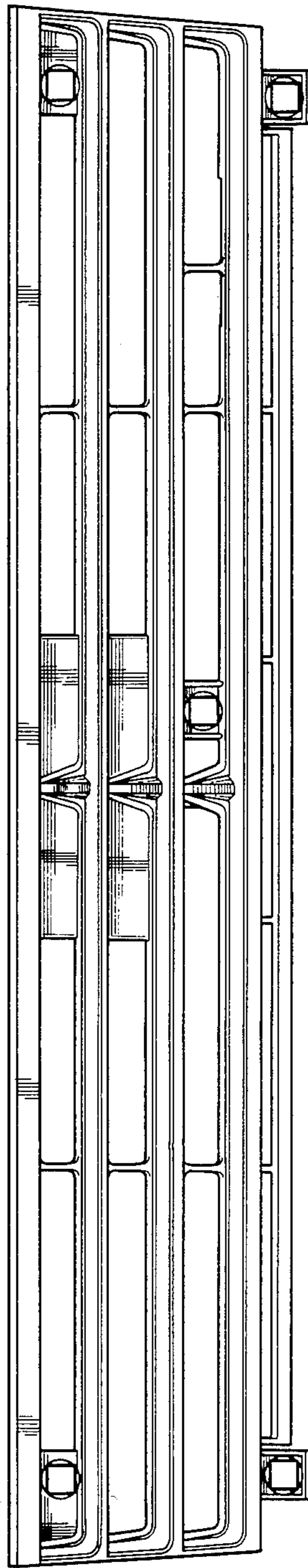


FIG. 5

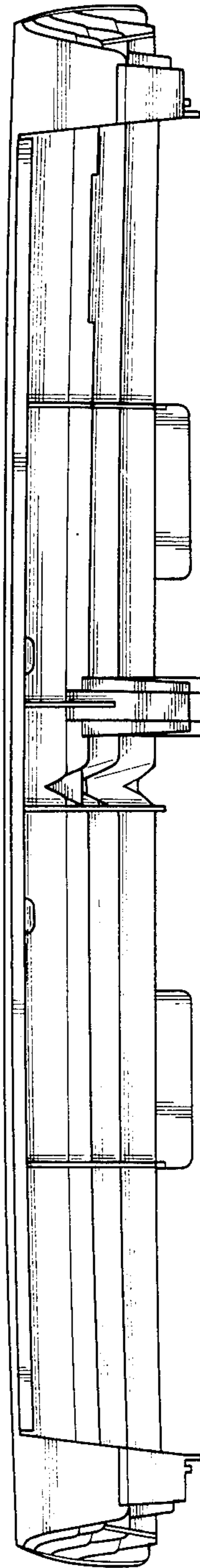


FIG. 3

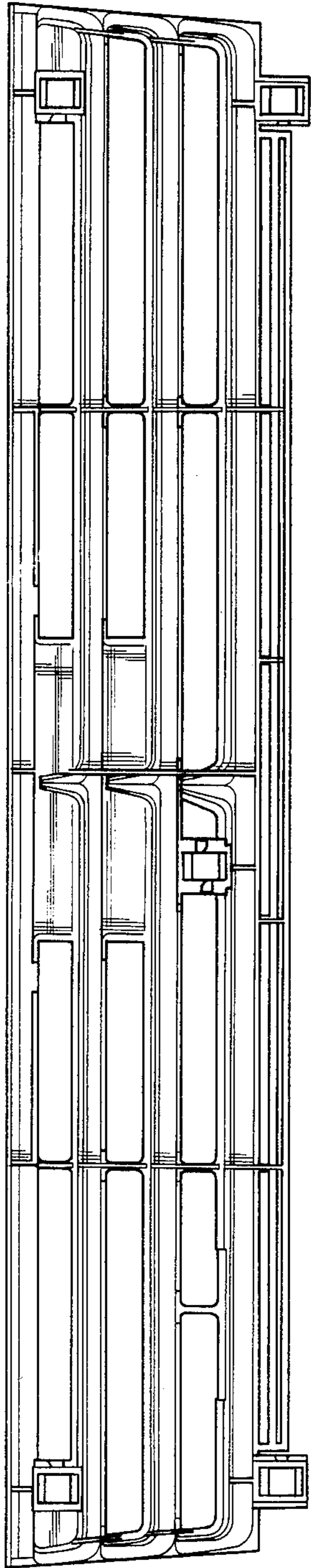


FIG. 6

