

# United States Patent [19]

Rakocy

[11] Patent Number: **Des. 298,416**

[45] Date of Patent: **\*\* Nov. 8, 1988**

[54] **ELECTRONIC TIMER**

[75] Inventor: **William J. Rakocy, Madison, Conn.**

[73] Assignee: **North American Philips Corporation, New York, N.Y.**

[\*\*] Term: **14 Years**

[21] Appl. No.: **836,191**

[22] Filed: **Feb. 24, 1986**

[52] U.S. Cl. .... **D10/40**

[58] Field of Search ..... **D10/30, 40; 368/107, 368/108; 307/141, 141.4**

[56] **References Cited**

**U.S. PATENT DOCUMENTS**

D. 274,314 6/1984 Goodin ..... D10/40  
D. 278,415 4/1985 Fenne ..... D10/40

D. 279,551 7/1985 Claytor ..... D10/40 X  
D. 285,181 8/1986 Jacobson ..... D10/40  
D. 285,420 9/1986 Gremonprez ..... D10/40  
D. 290,608 6/1987 Fisher ..... D14/95 X

*Primary Examiner*—Nelson C. Holtje  
*Attorney, Agent, or Firm*—Ernestine C. Bartlett

[57] **CLAIM**

The ornamental design for an electronic timer, as shown and described.

**DESCRIPTION**

FIG. 1 is a front elevational view of an electronic timer showing my new design;  
FIG. 2 is a top plan view thereof;  
FIG. 3 is a bottom plan view thereof;  
FIG. 4 is a left side elevational view thereof, the right side elevational view being a mirror image; and  
FIG. 5 is a rear elevational view thereof.

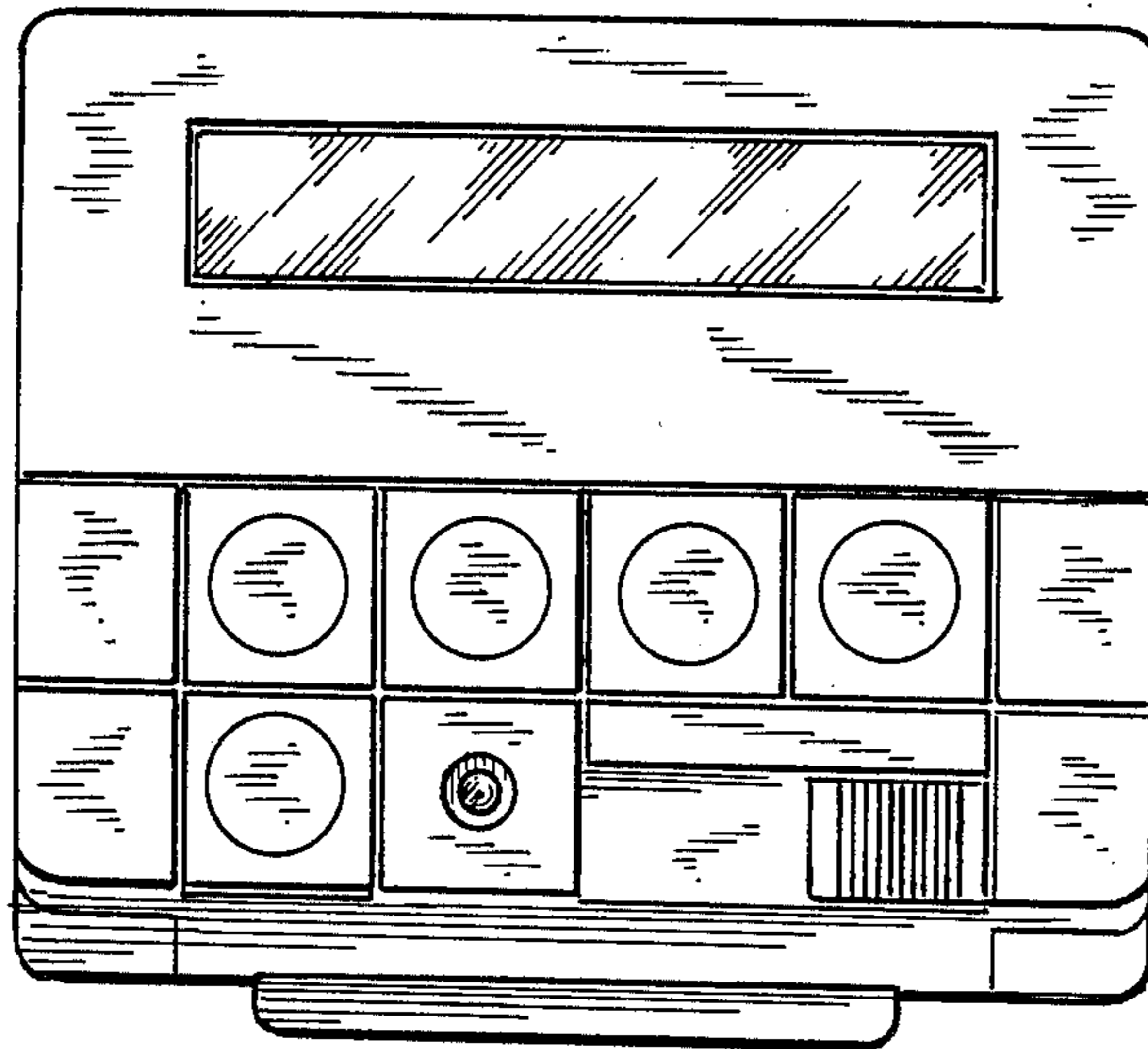


FIG. 1

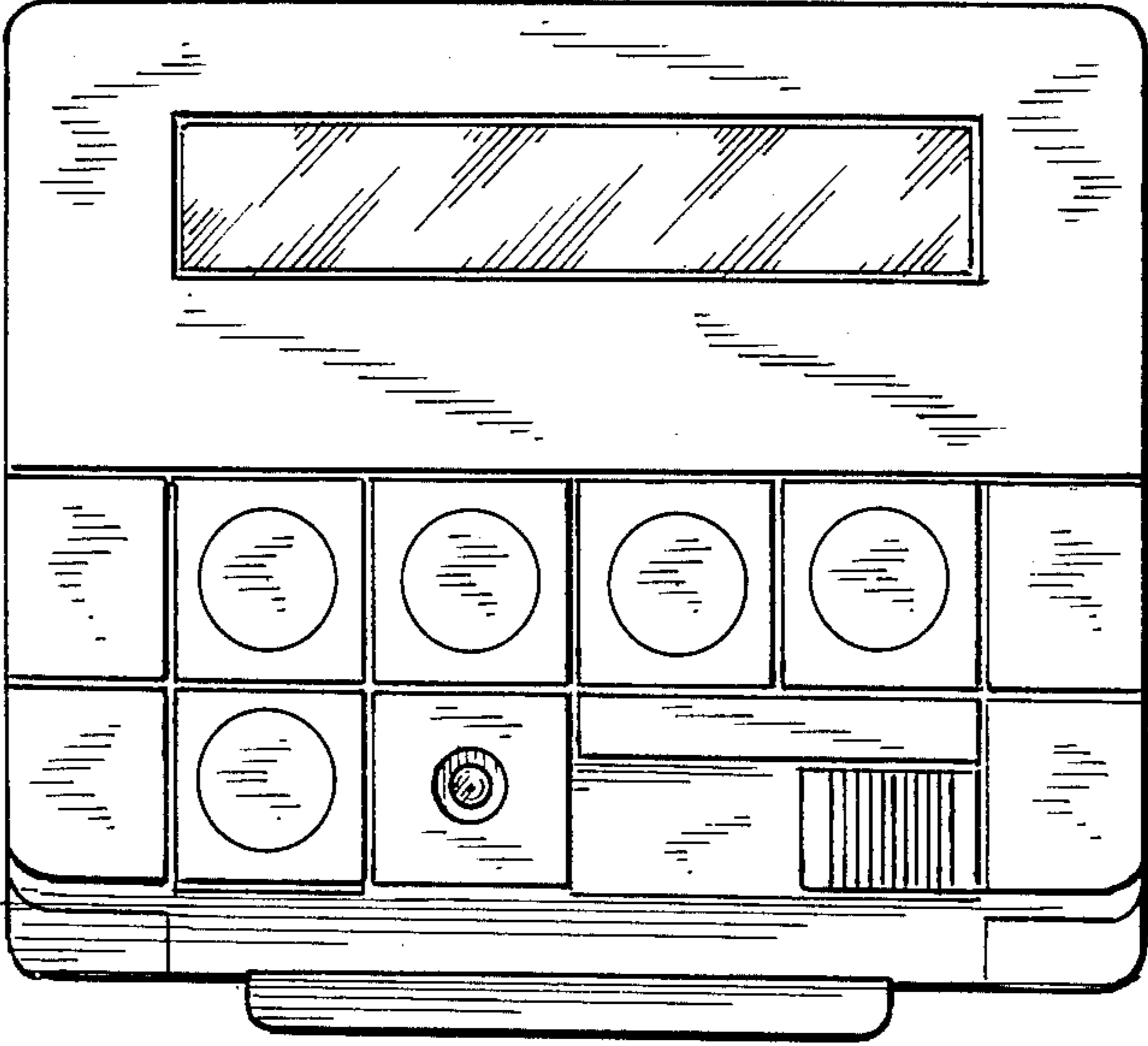


FIG. 2

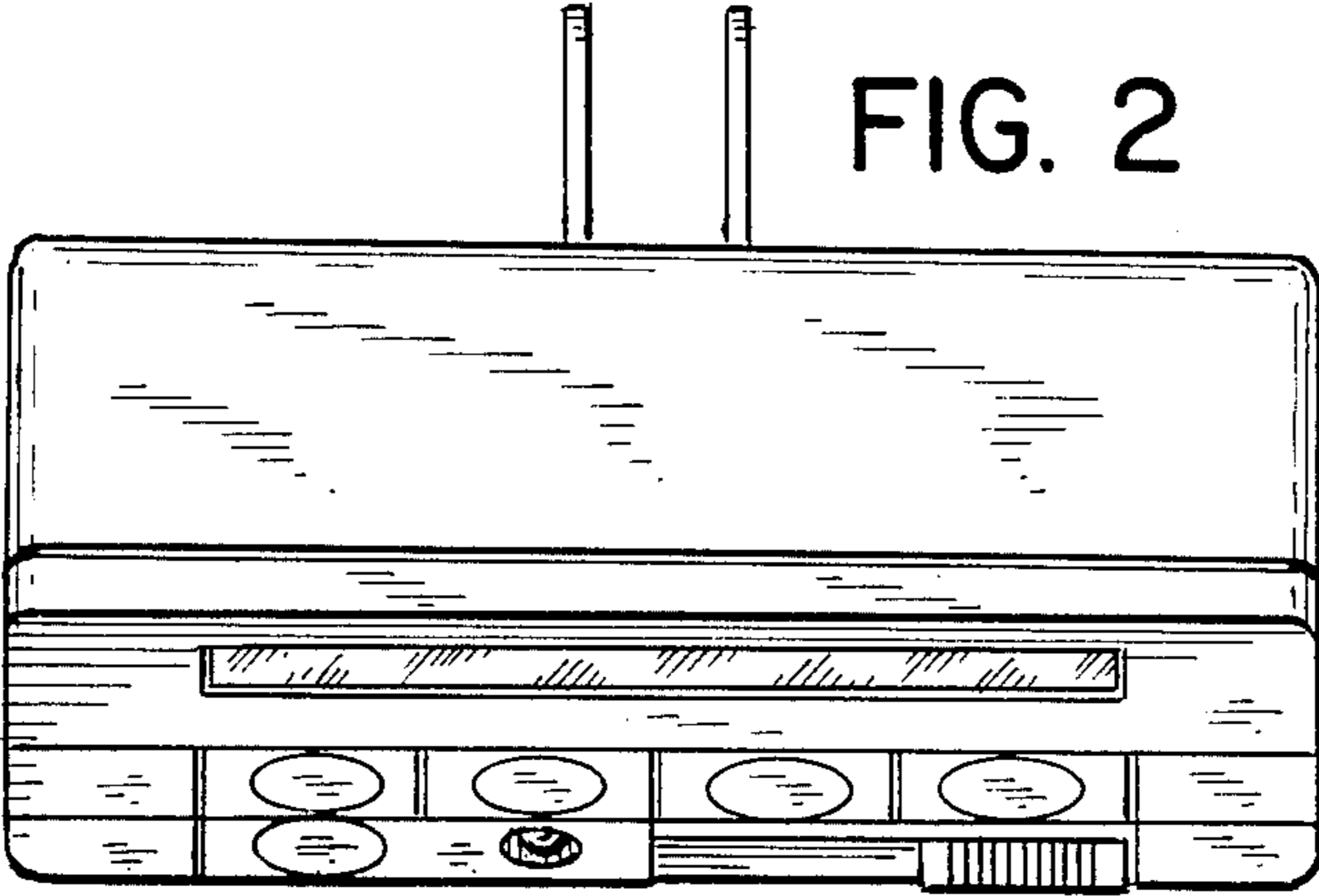


FIG. 3

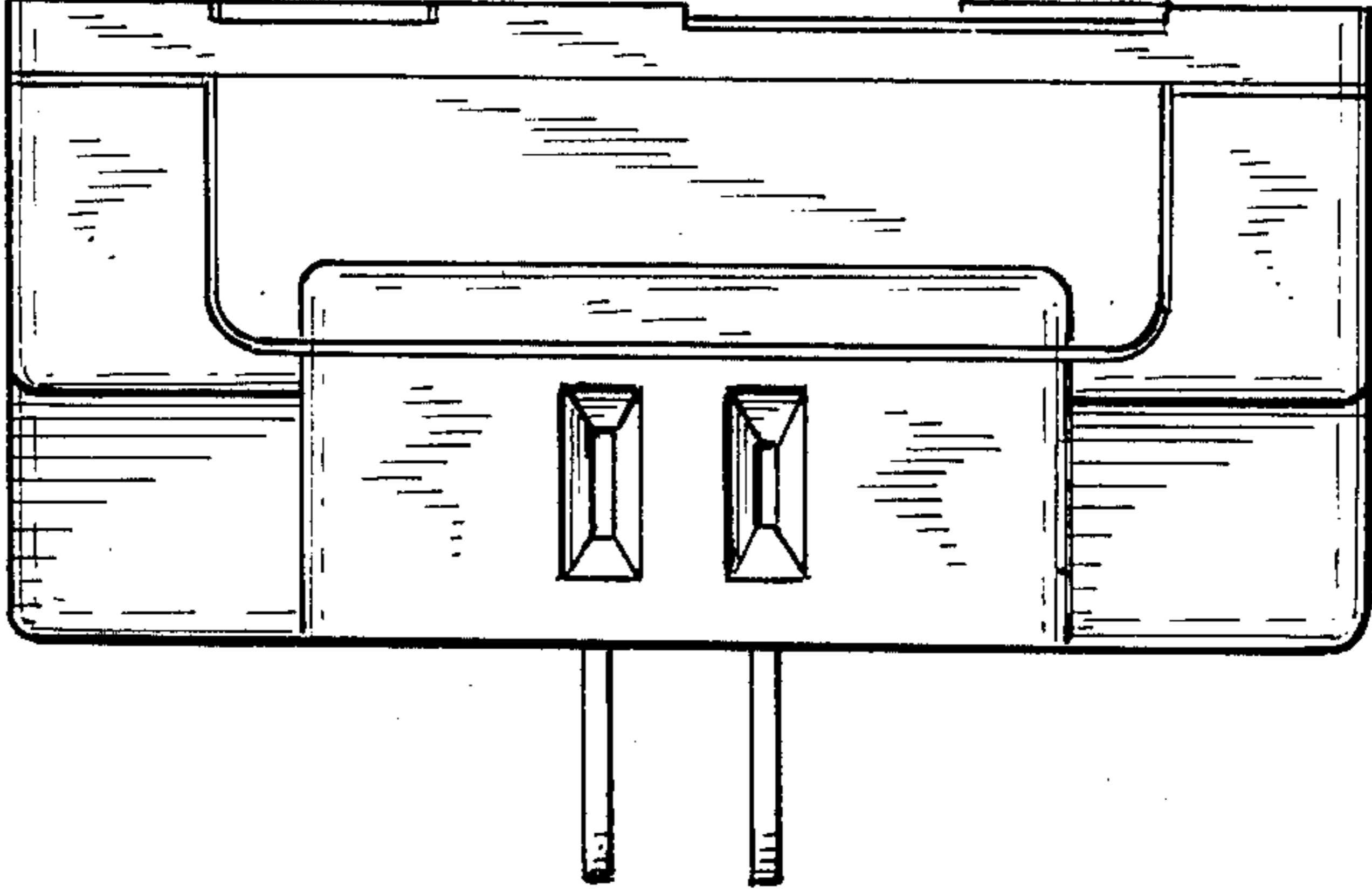


FIG. 4

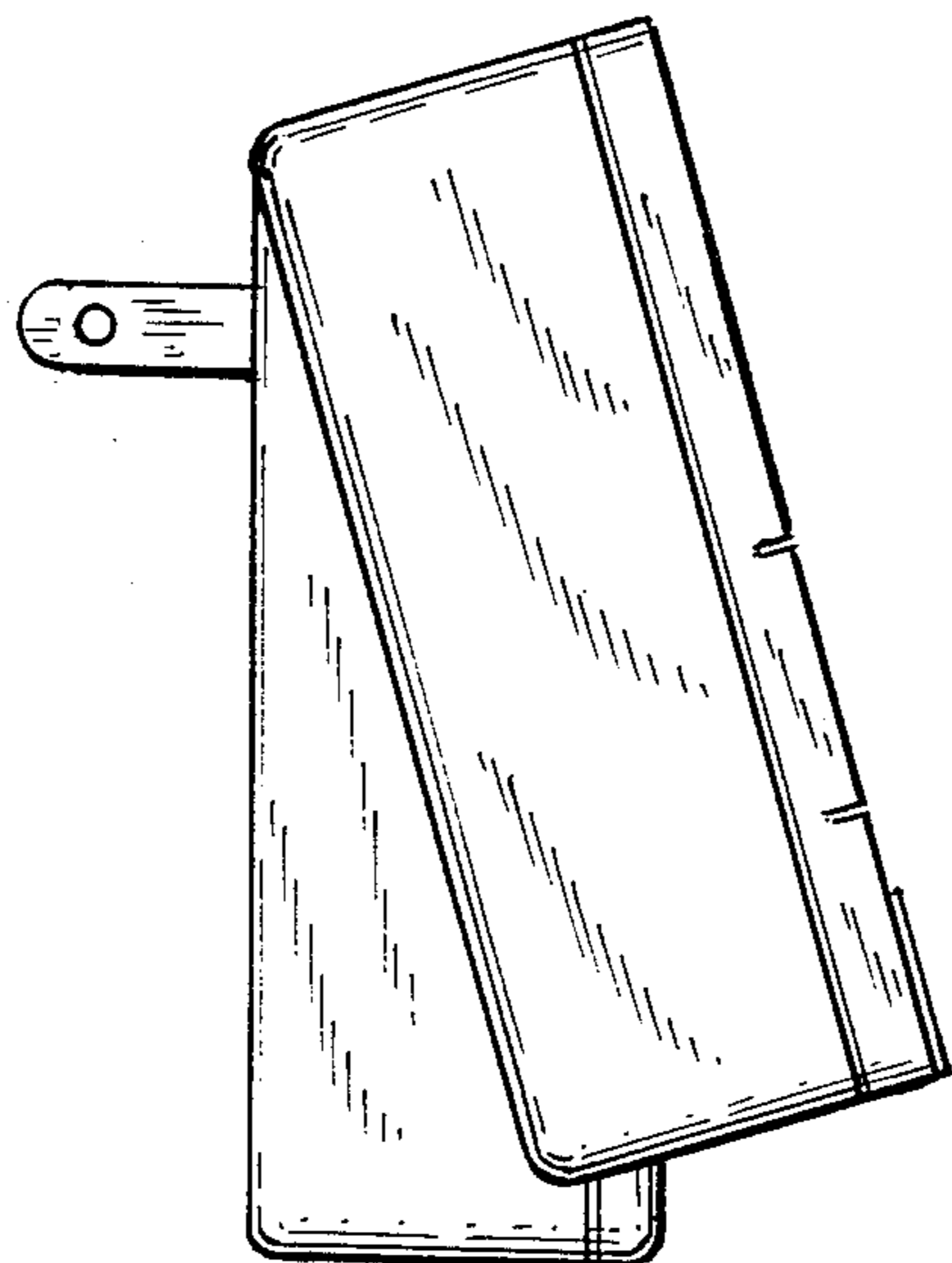


FIG. 5

