

[54] ELECTRONIC CLOCK

[76] Inventor: Melvyn H. Dawson, Jr., 1130
Rollingwood Trail, Maitland, Fla.
32751

[**] Term: 14 Years

[21] Appl. No.: 820,146

[22] Filed: Jan. 21, 1986

[52] U.S. Cl. D10/15; D10/23

[58] Field of Search D10/22, 23, 30, 38,
D10/6, 15; 368/122-126, 276-277, 280-282,
285, 80-82

[56] References Cited

U.S. PATENT DOCUMENTS

- D. 37,411 4/1905 McGraw D10/23 X
- D. 94,765 3/1935 Irelan D10/23 X
- D. 110,124 6/1938 Schlenker D10/23

- D. 122,309 9/1940 Bruce D10/23
- D. 166,364 4/1952 Thornton D10/23 X
- D. 254,124 2/1980 Greenfield D10/23 X
- D. 285,908 9/1986 Maron D10/30
- D. 289,740 5/1987 Ketner D10/38
- 2,642,713 6/1953 Prins D10/23 X

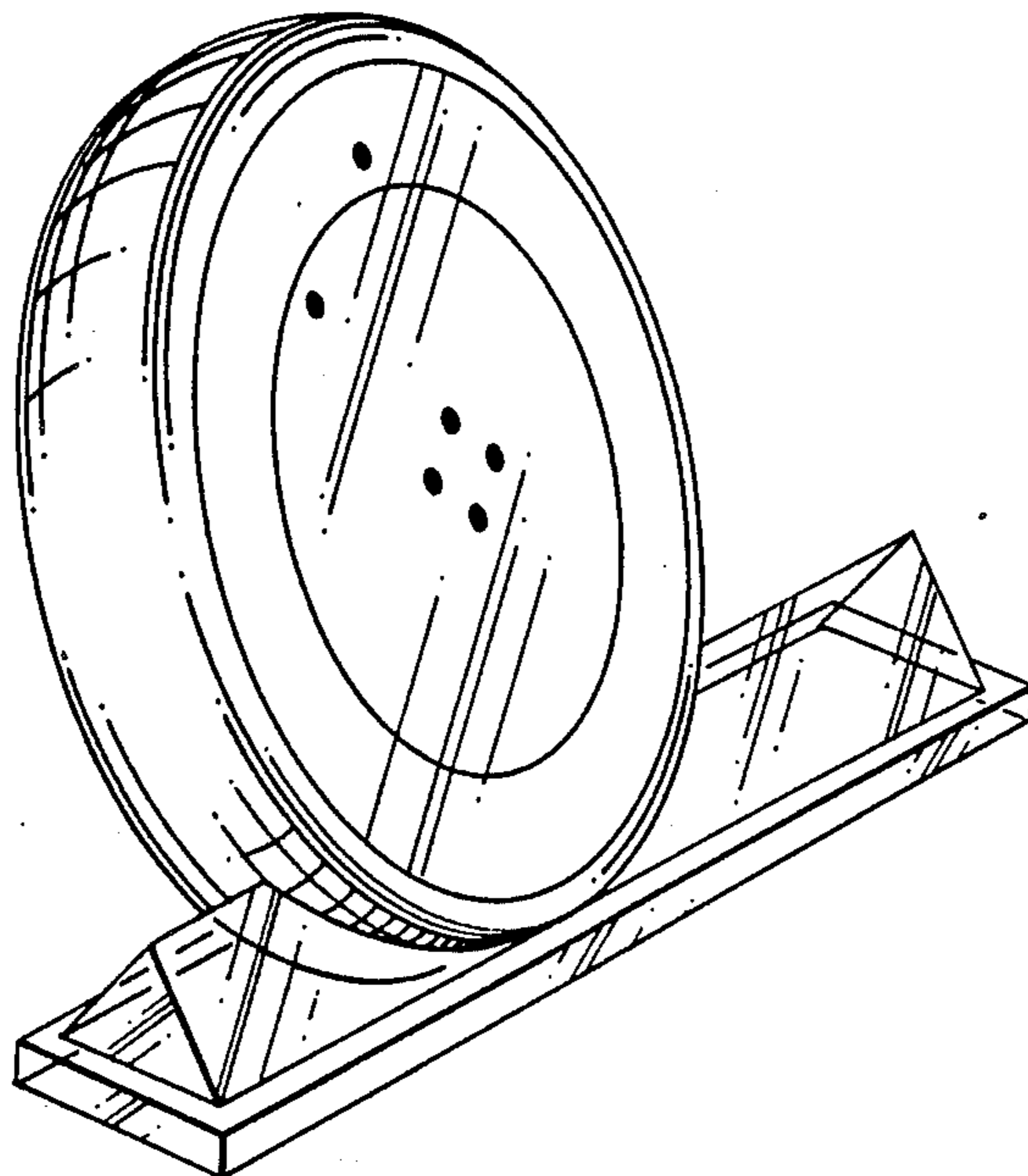
Primary Examiner—Nelson C. Holtje
Attorney, Agent, or Firm—James H. Beusse

[57] CLAIM

The ornamental design for an electronic clock, as shown and described.

DESCRIPTION

FIG. 1 is a left front perspective view of an electronic clock showing my new design;
FIG. 2 is a right side elevational view thereof;
FIG. 3 is a rear elevational view thereof;
FIG. 4 is a top plan view thereof;
FIG. 5 is a bottom plan view thereof.



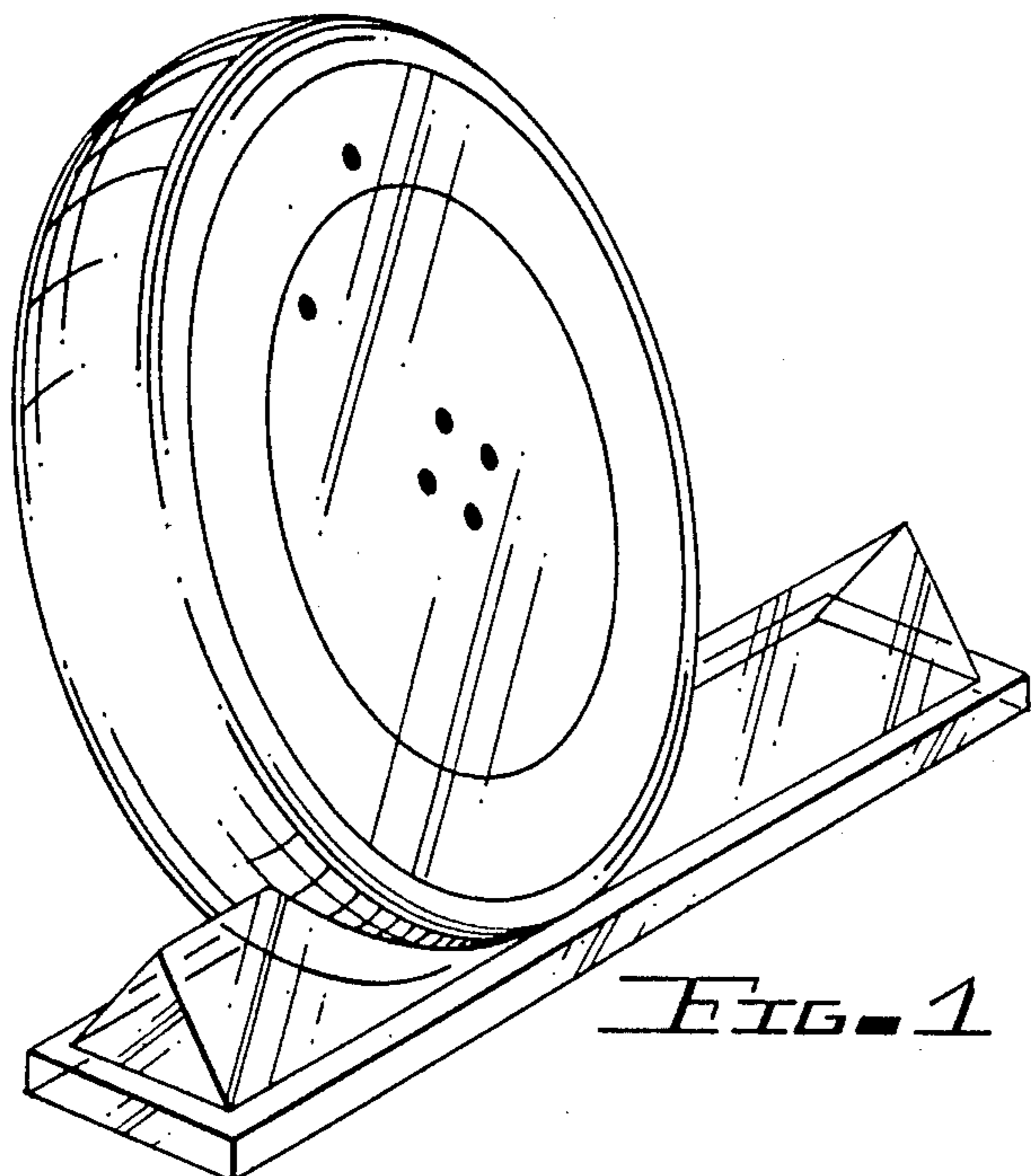


FIG. 1

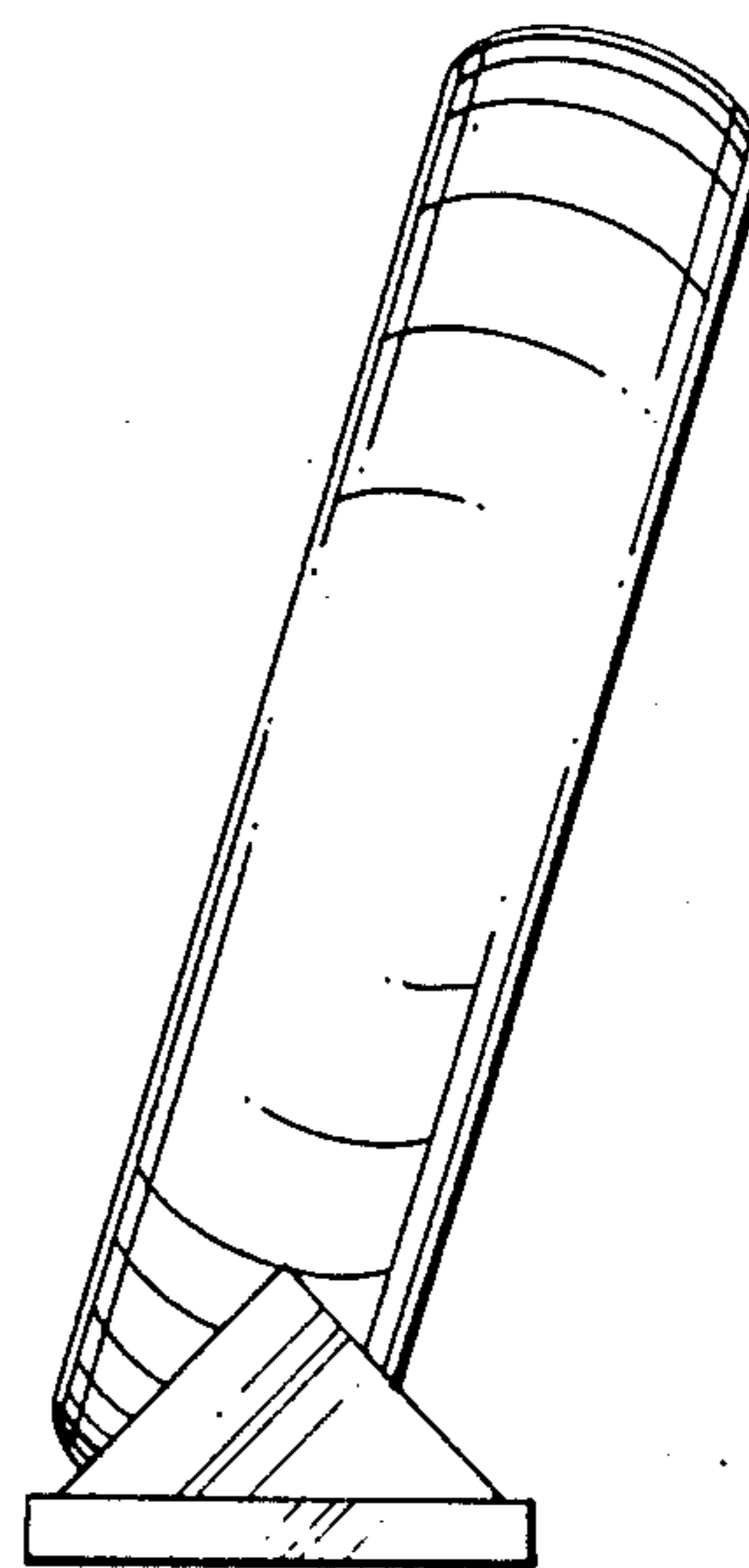


FIG. 2

FIG. 3

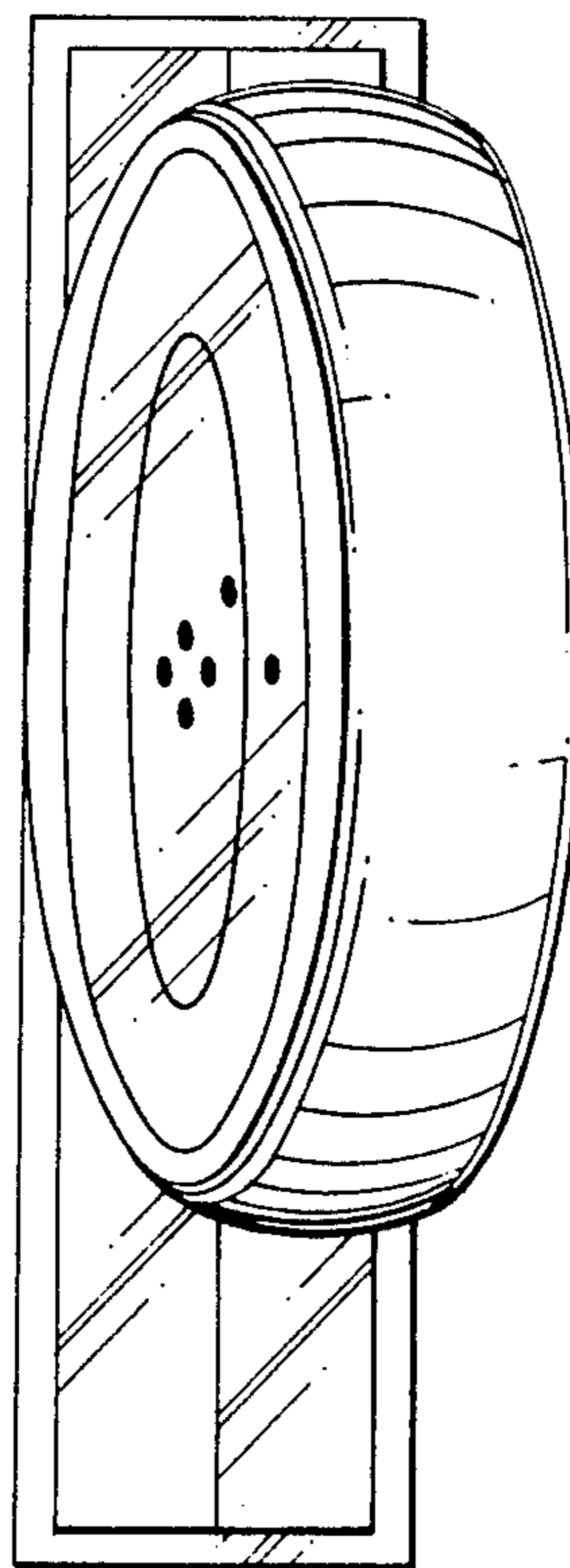
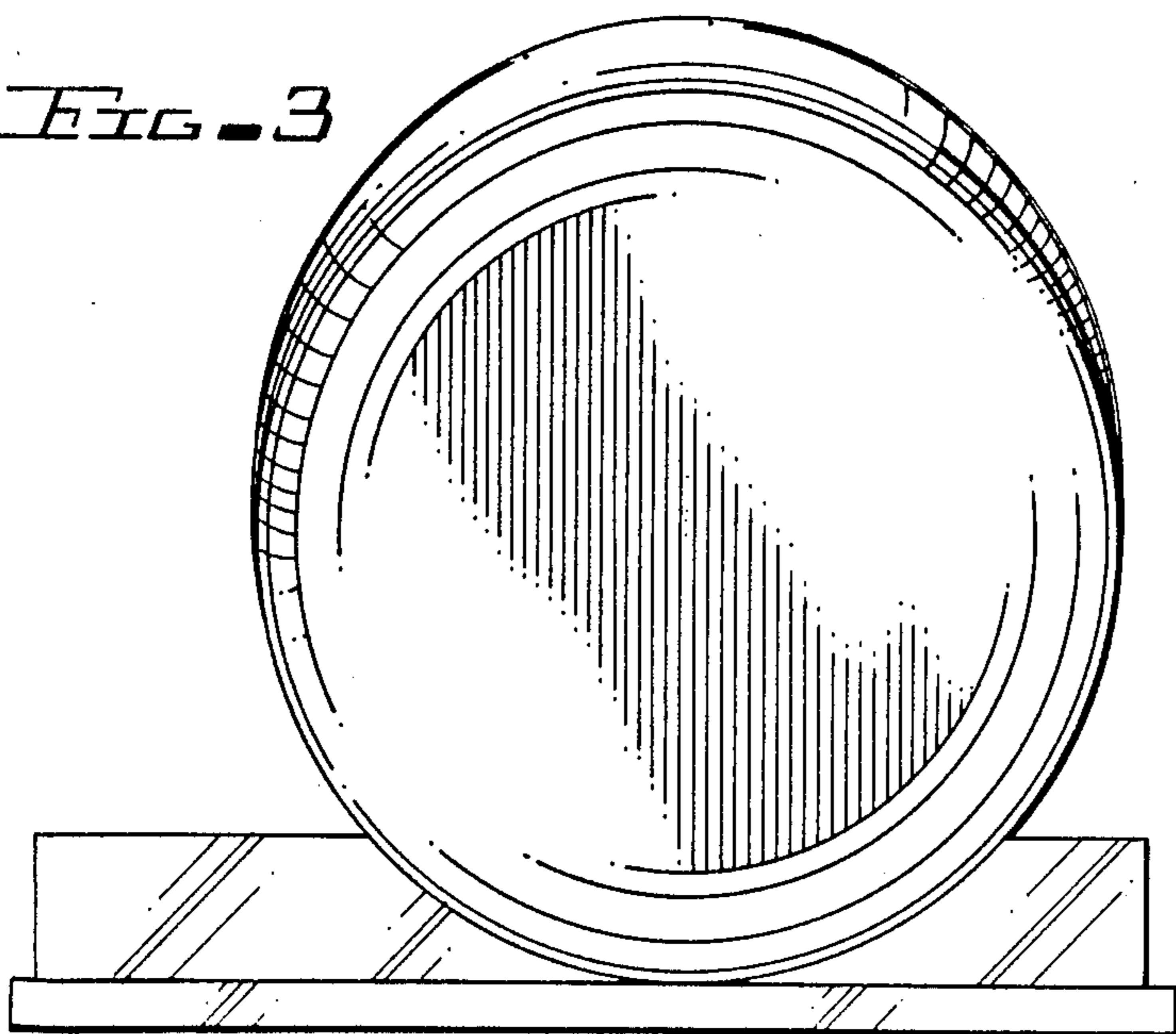


FIG. 4

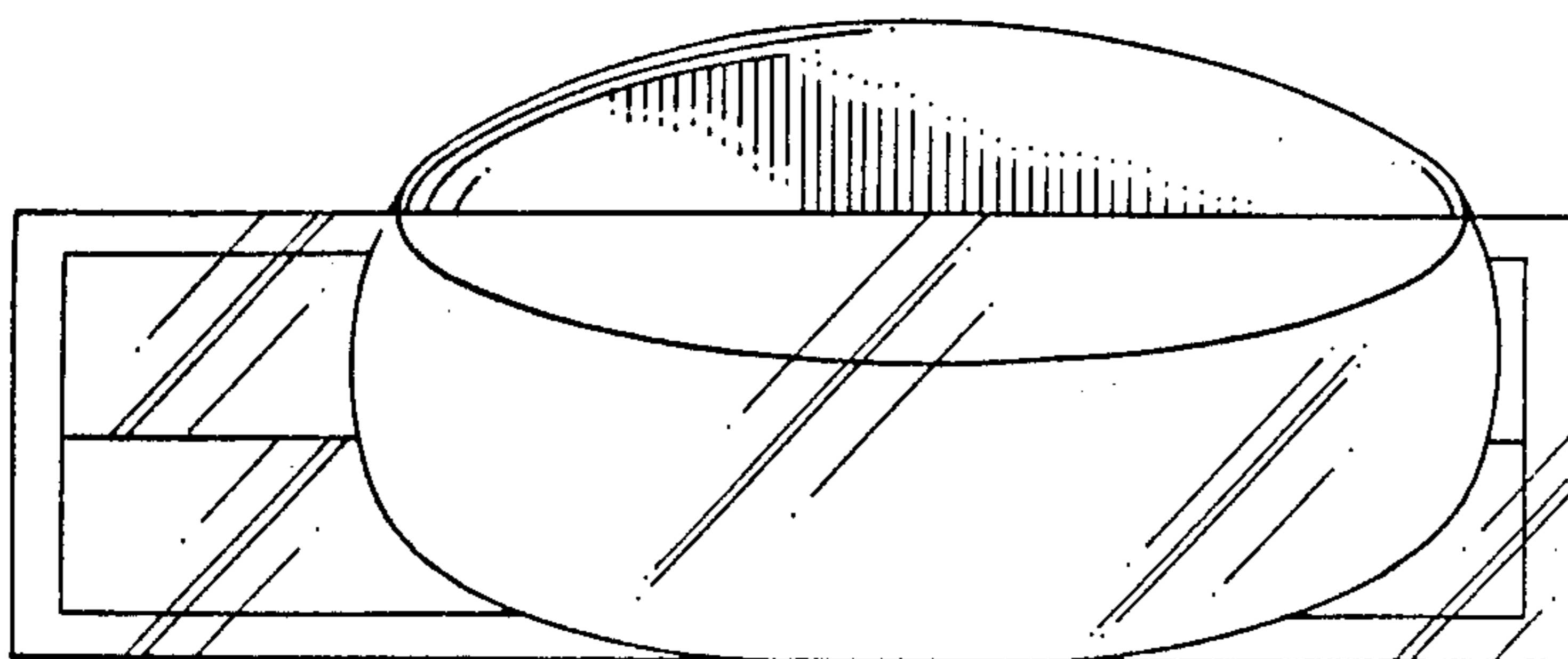


FIG. 5