

[54] **COMBINED LEVER AND ESCUTCHEON**

[76] **Inventor:** Achille Castiglioni, Piazza Castello,
27, 20121 Milan, Italy

[**] **Term:** 14 Years

[21] **Appl. No.:** 833,741

[22] **Filed:** Feb. 18, 1986

[30] **Foreign Application Priority Data**

Sep. 3, 1985 [IT] Italy 22874/85[U]

[52] **U.S. Cl.** D8/301; D8/308

[58] **Field of Search** D8/300, 301, 302, 307,
D8/308; 16/110 R, 111 R, 114 R, 121

[56] **References Cited**

U.S. PATENT DOCUMENTS

D. 197,553 2/1964 Maffei D8/308

OTHER PUBLICATIONS

Schlage Cat.; sec. 12; p. 72; Zephyr Rose and Knob
(center bottom row).

Paul Associates Cat.; p. 50; Lever 144 (right of center).
General Lock Leaflet; Lever SS44.

Design; 2/1958, p. 39; Lever (center of page).

Primary Examiner—B. J. Bullock

Attorney, Agent, or Firm—Steinberg & Raskin

[57] **CLAIM**

The ornamental design for a combined lever and es-
cutcheon.

DESCRIPTION

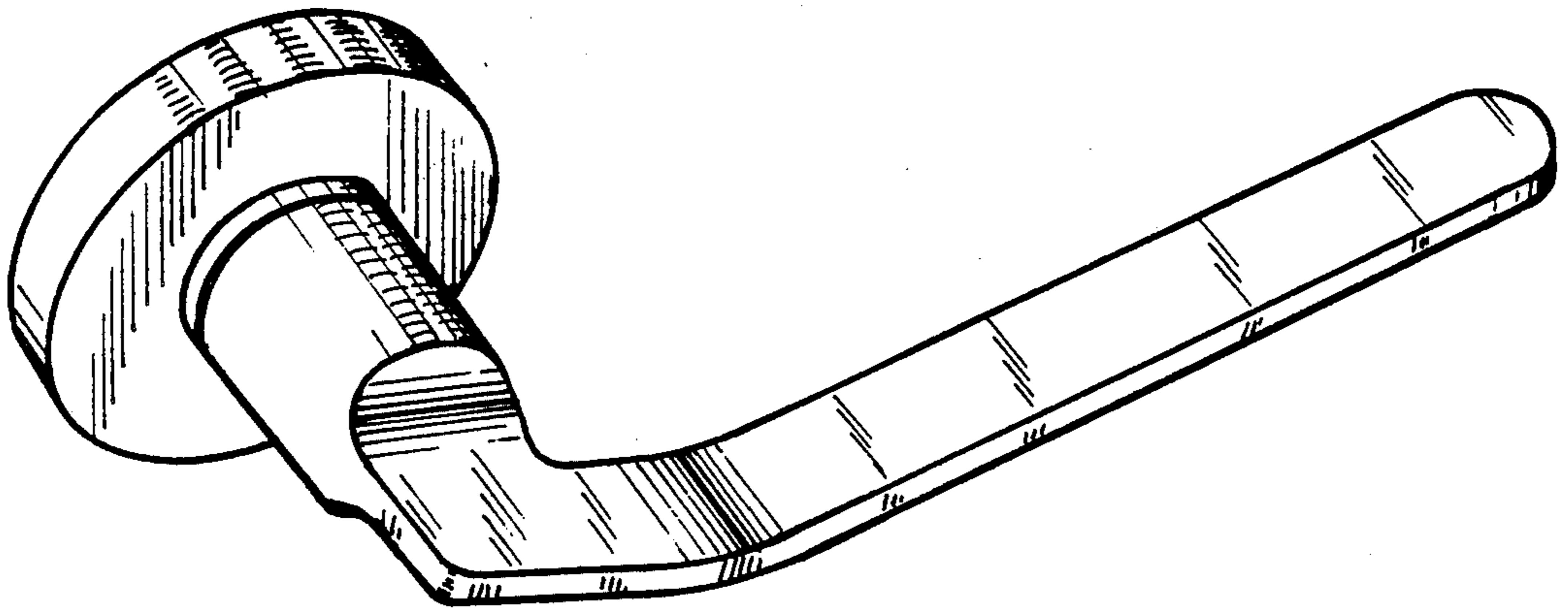
FIG. 1 is a front view of a combined lever and es-
cutcheon showing my new design;

FIG. 2 is a top view thereof;

FIG. 3 is a side view taken from the right of FIG. 2;

FIG. 4 is a side view taken from the left of FIG. 2;

FIG. 5 is a perspective view thereof.



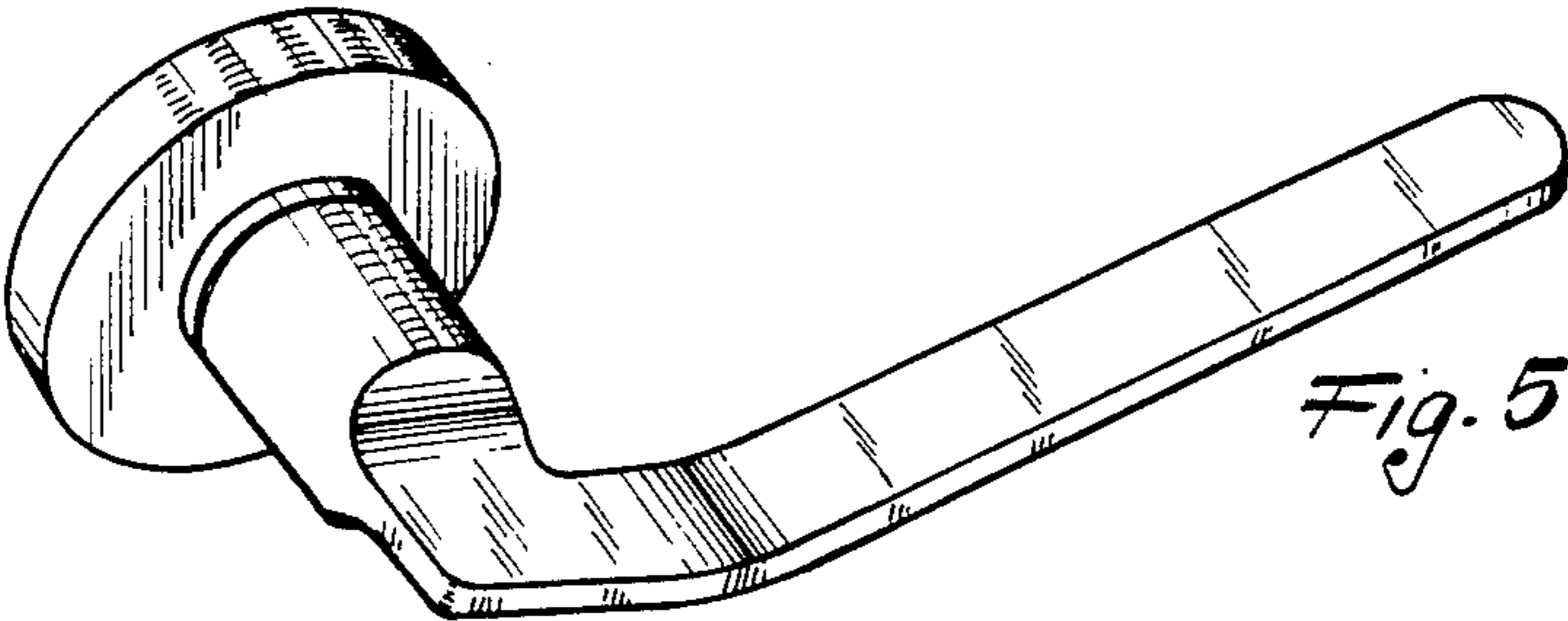


Fig. 5

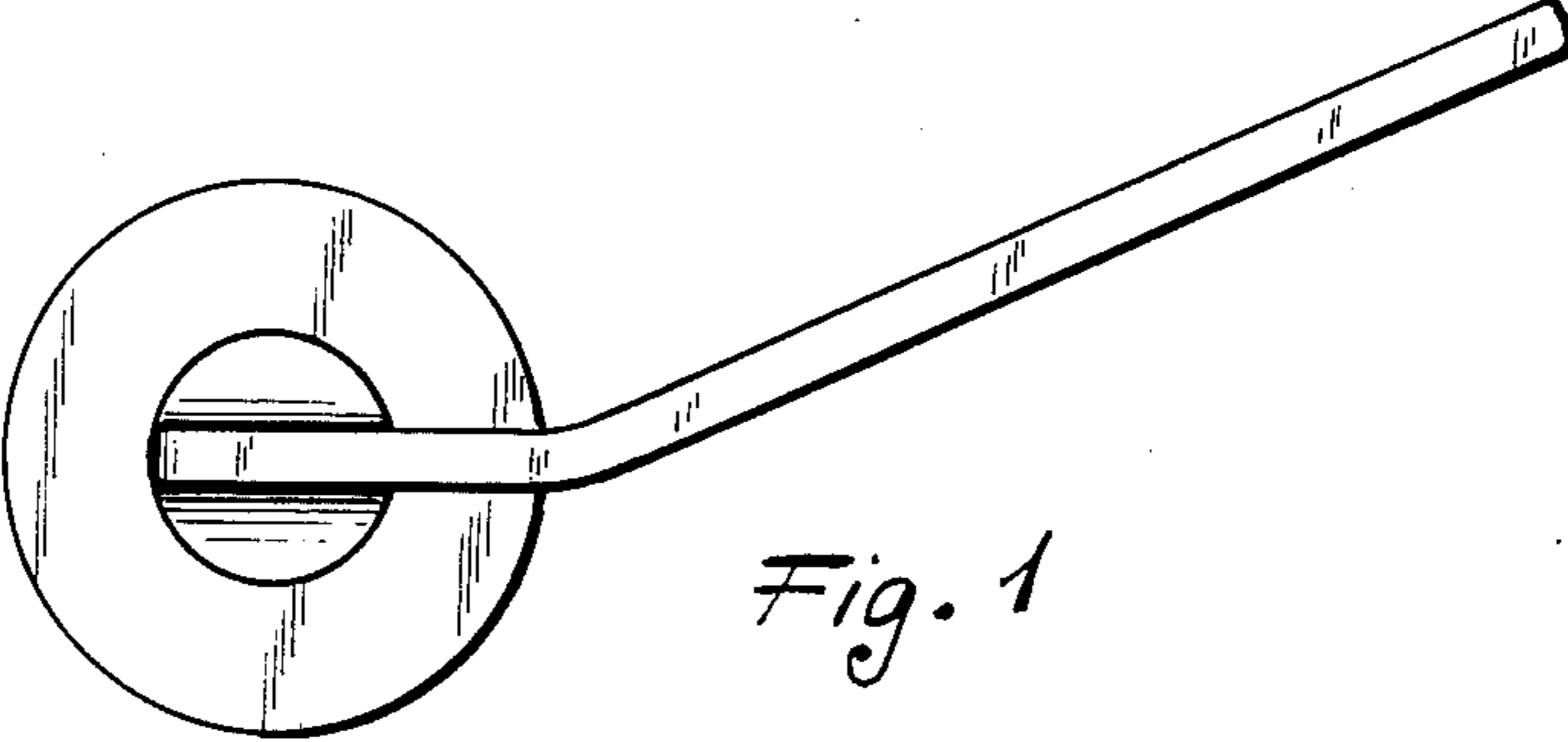


Fig. 1

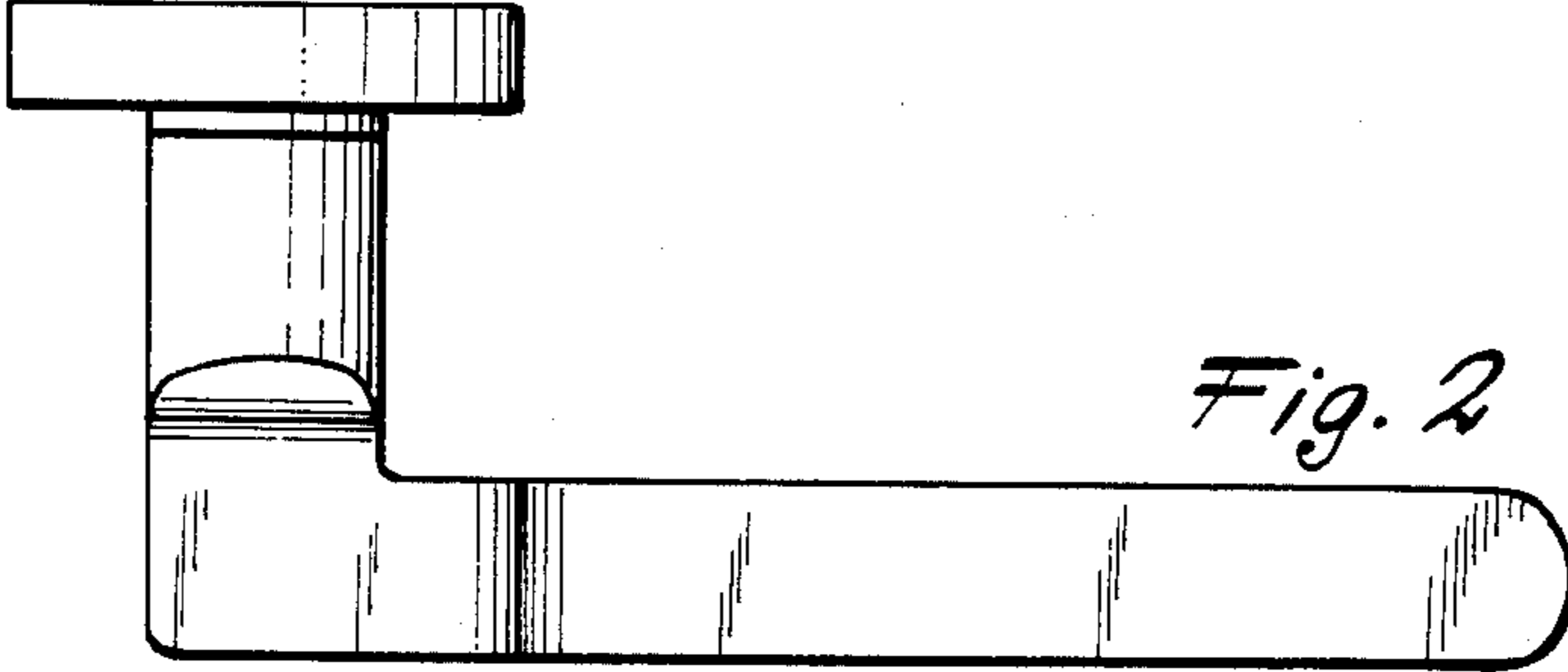


Fig. 2

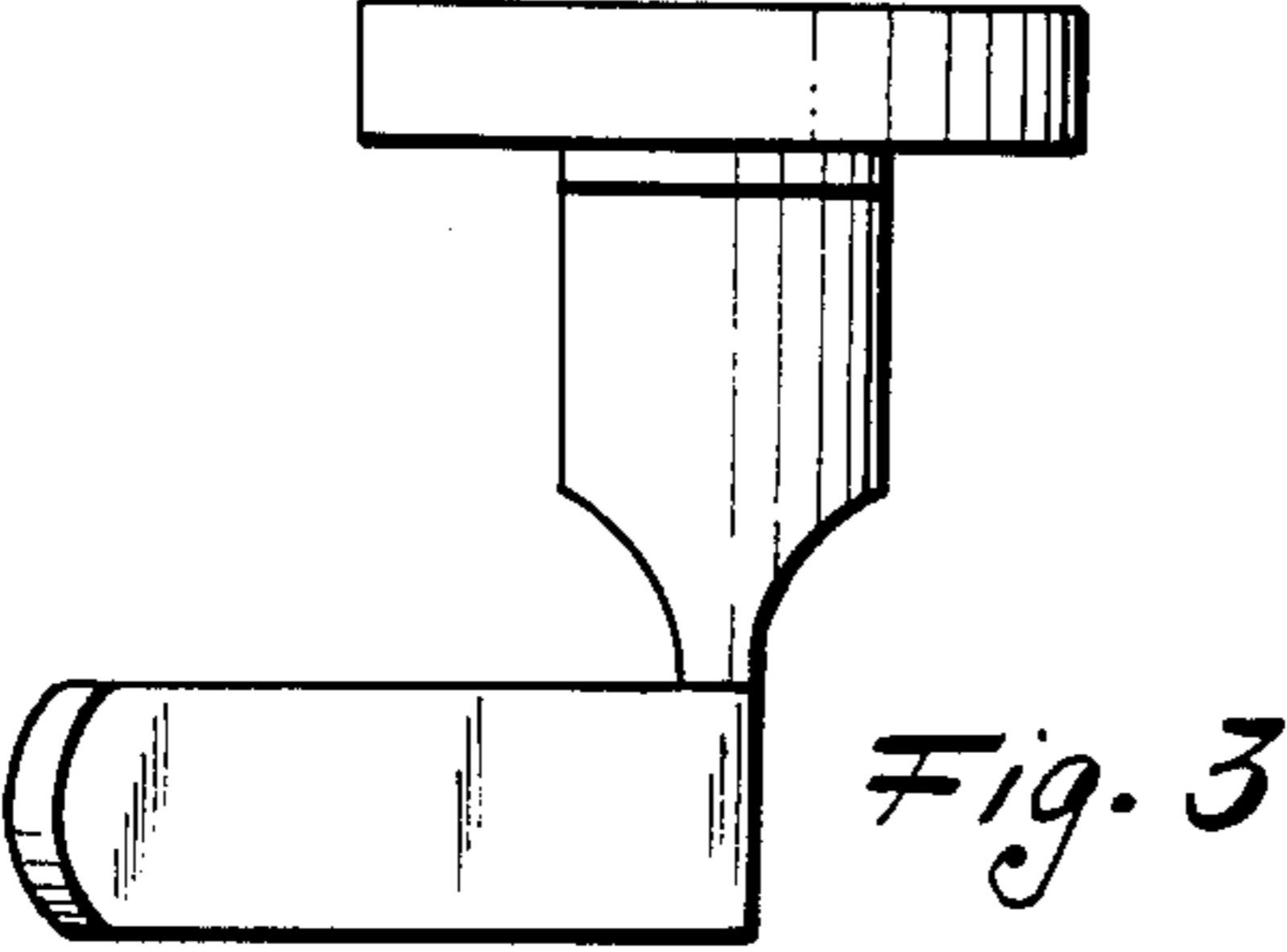


Fig. 3

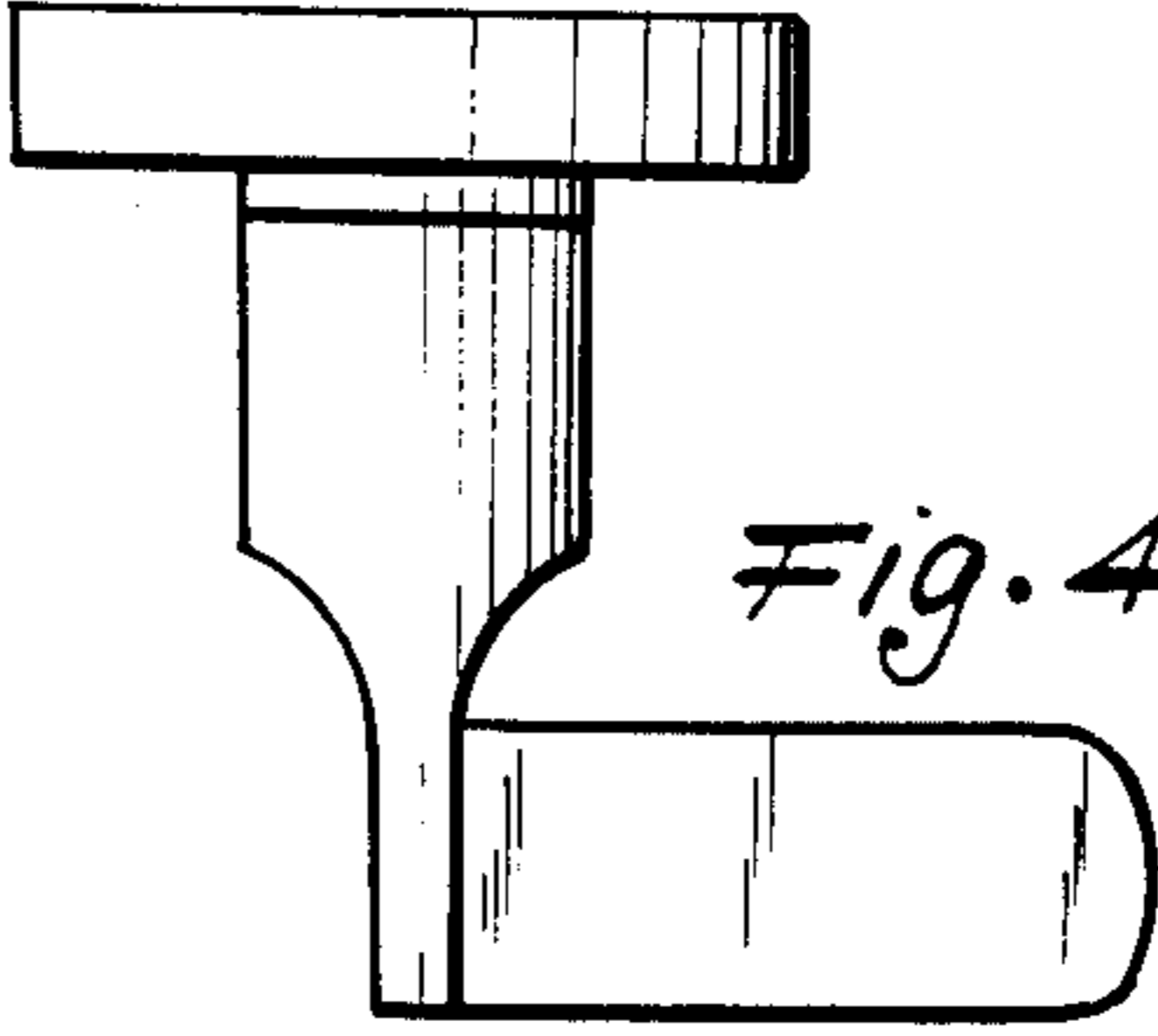


Fig. 4