

United States Patent [19]

Duke

[11] Patent Number: **Des. 298,410**

[45] Date of Patent: **** Nov. 8, 1988**

[54] **HANDLE FOR A DOOR, WINDOW OR THE LIKE**

[75] Inventor: **Paul L. M. Duke, Lexden, England**

[73] Assignee: **Titon Hardware Limited, Essex, England**

[**] Term: **14 Years**

[21] Appl. No.: **886,081**

[22] Filed: **May 22, 1986**

[30] **Foreign Application Priority Data**

Nov. 22, 1985 [GB] United Kingdom 1030651

[52] U.S. Cl. **D8/300; D8/312**

[58] Field of Search **D8/300, 301, 302, 310, D8/312, 316; 16/110 R, 11 R, 121**

[56] **References Cited**

U.S. PATENT DOCUMENTS

D. 113,169 1/1939 Miller D8/316

D. 246,757 12/1977 Waldo D8/301

D. 249,118 8/1978 Bocade D8/301

D. 272,714 2/1984 LeGrand D8/301

D. 284,263 6/1986 Resan .

OTHER PUBLICATIONS

Daka-Ware Cat. No. 9, p. 10, Knob 1925.

Primary Examiner—B. J. Bullock

Attorney, Agent, or Firm—Millen & White

[57] **CLAIM**

The ornamental design for a handle for a door, window or the like, as shown and described.

DESCRIPTION

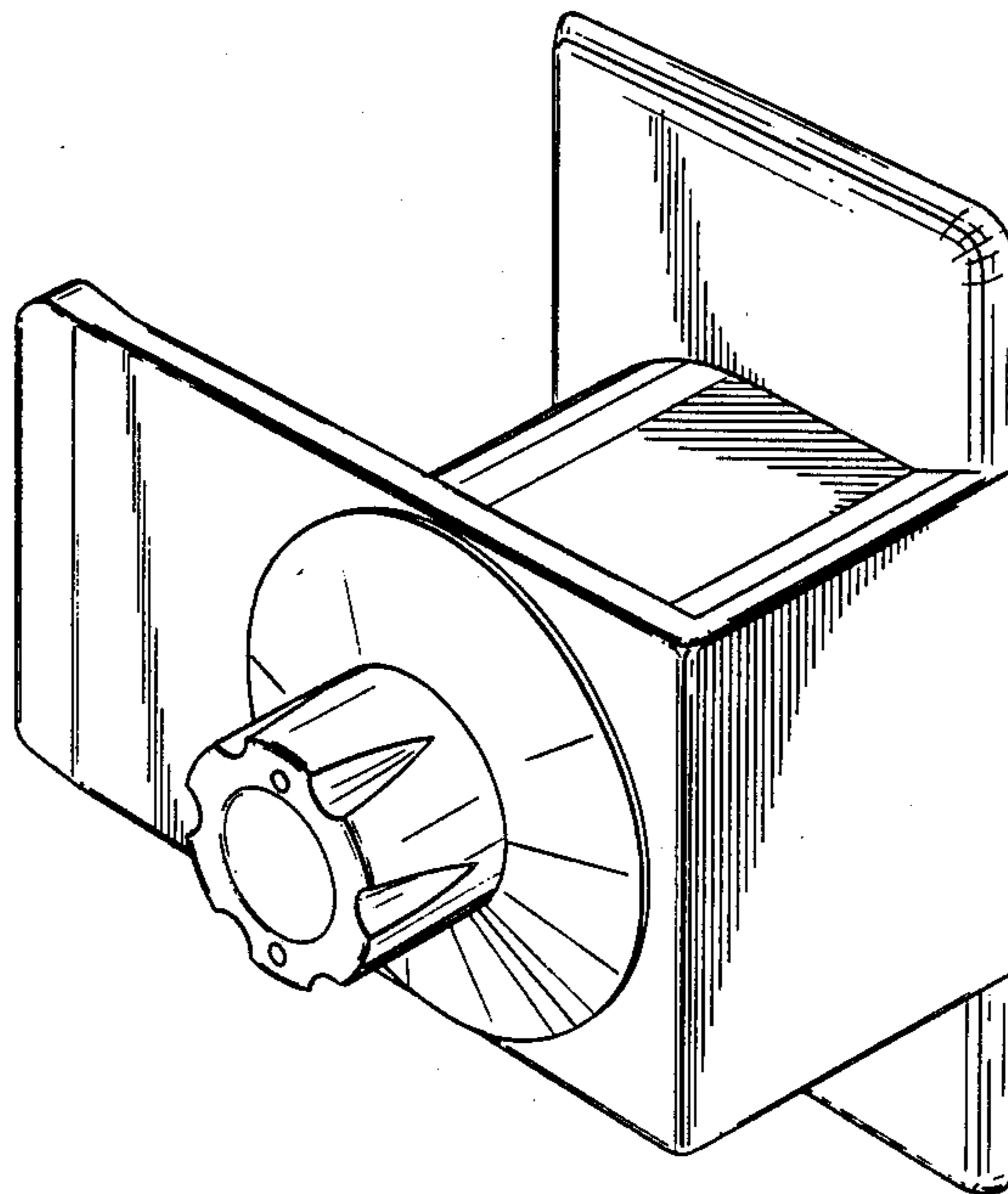
FIG. 1 is a perspective view of a handle for door, window or the like showing my new design;

FIG. 2 is a right side perspective view thereof;

FIG. 3 is a front elevational view thereof, the rear being unornamented;

FIG. 4 is a left side elevational view thereof;

FIG. 5 is a top plan view thereof, the bottom being a mirror image.



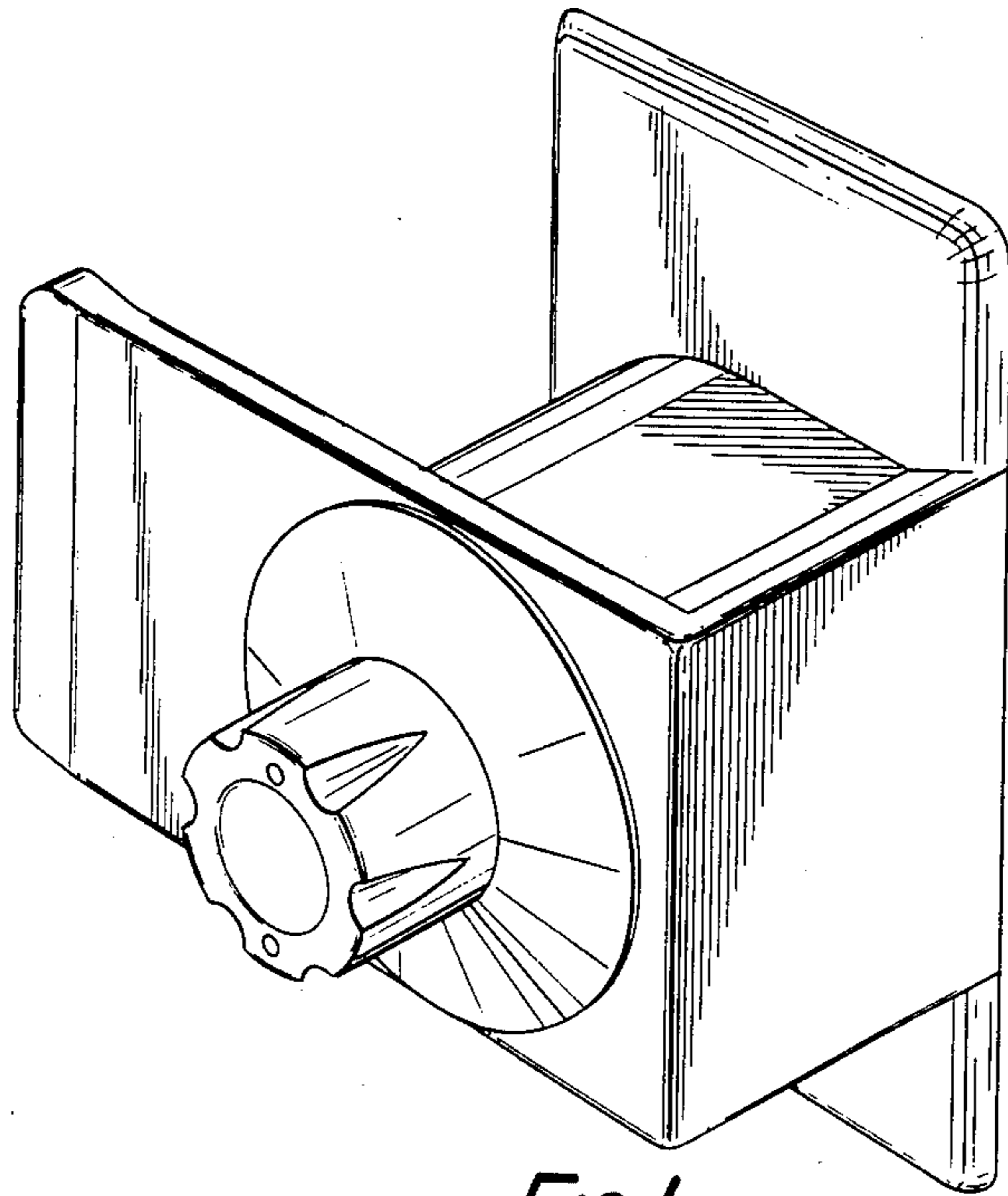


FIG. 1.

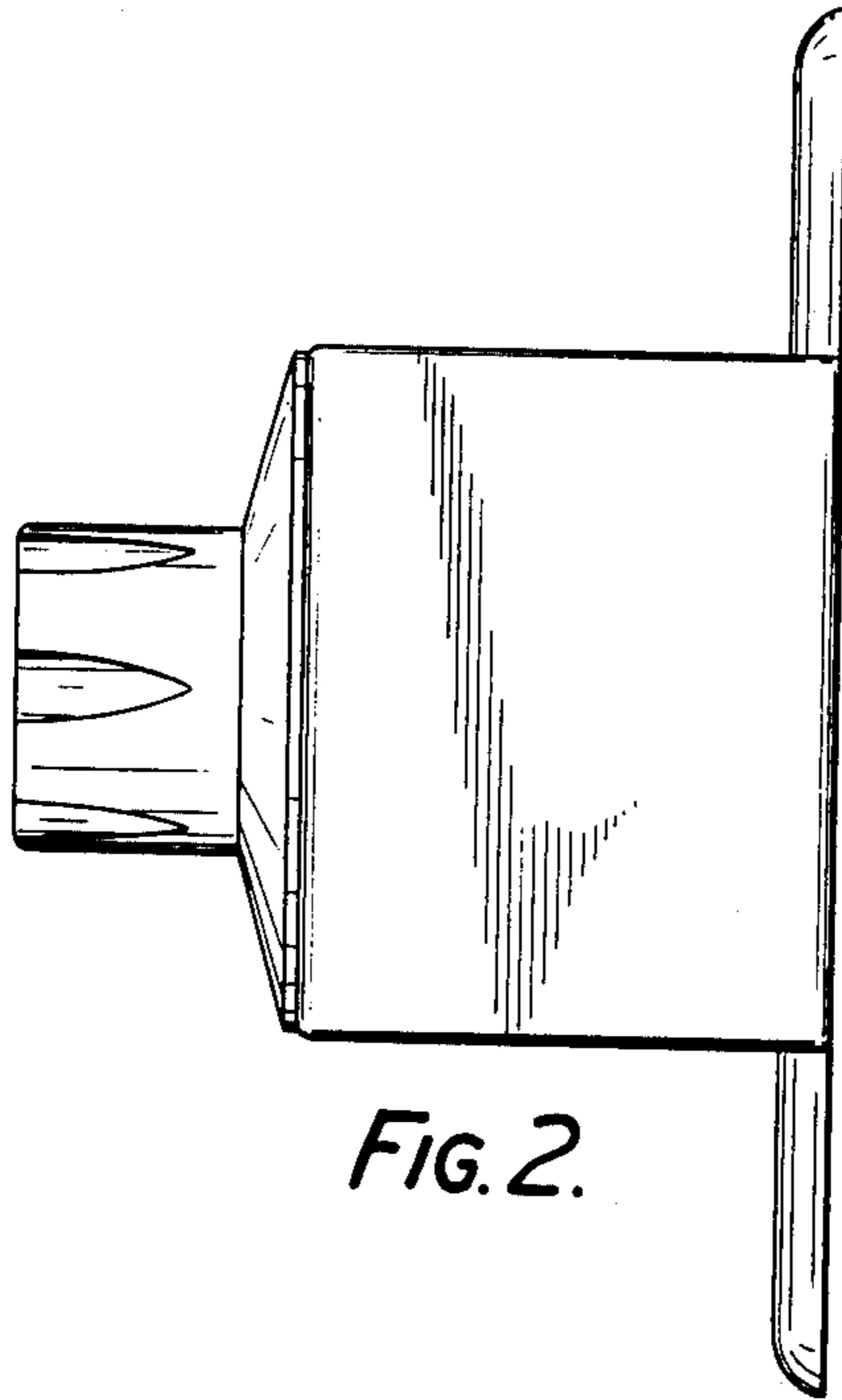


FIG. 2.

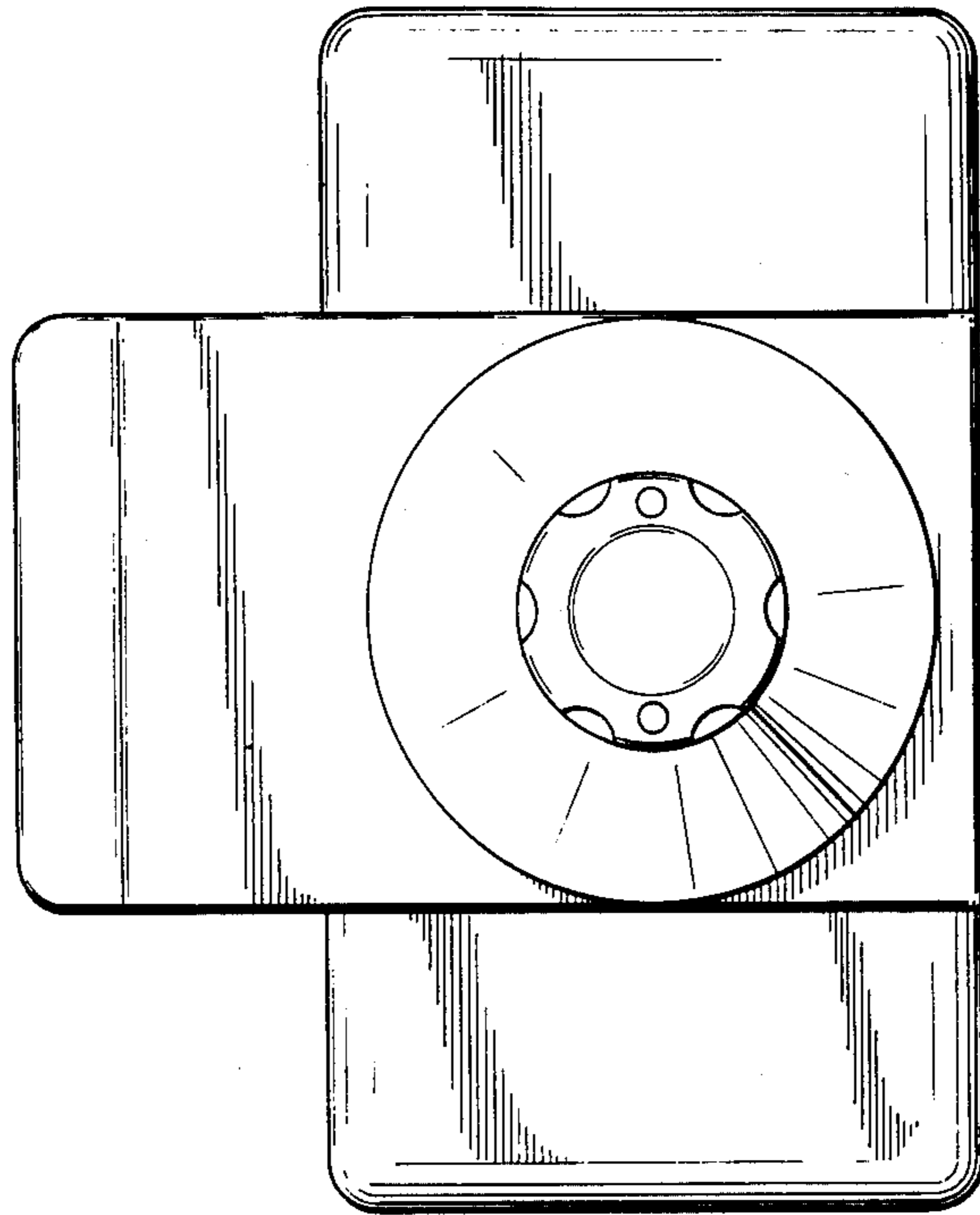


FIG. 3.

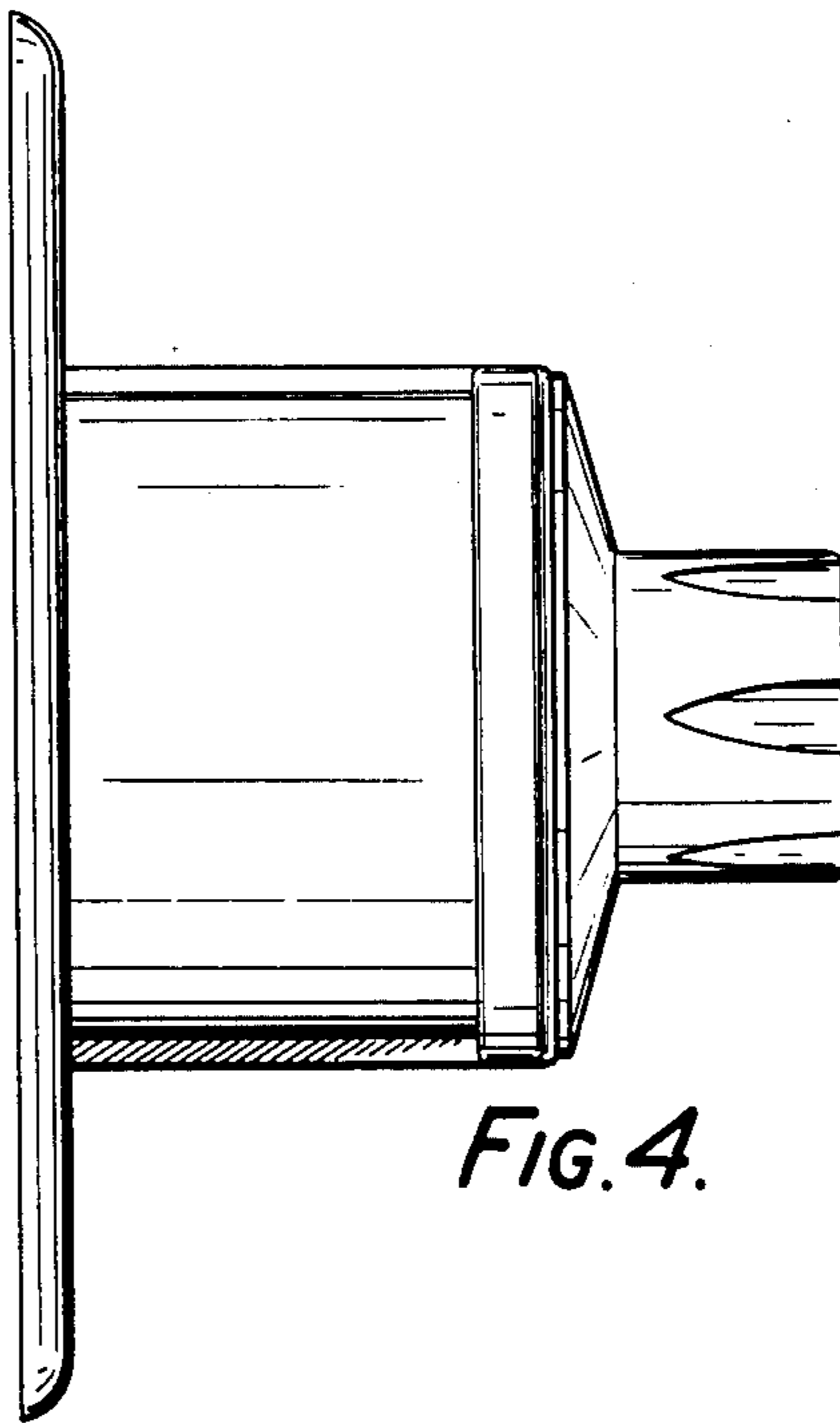


FIG. 4.

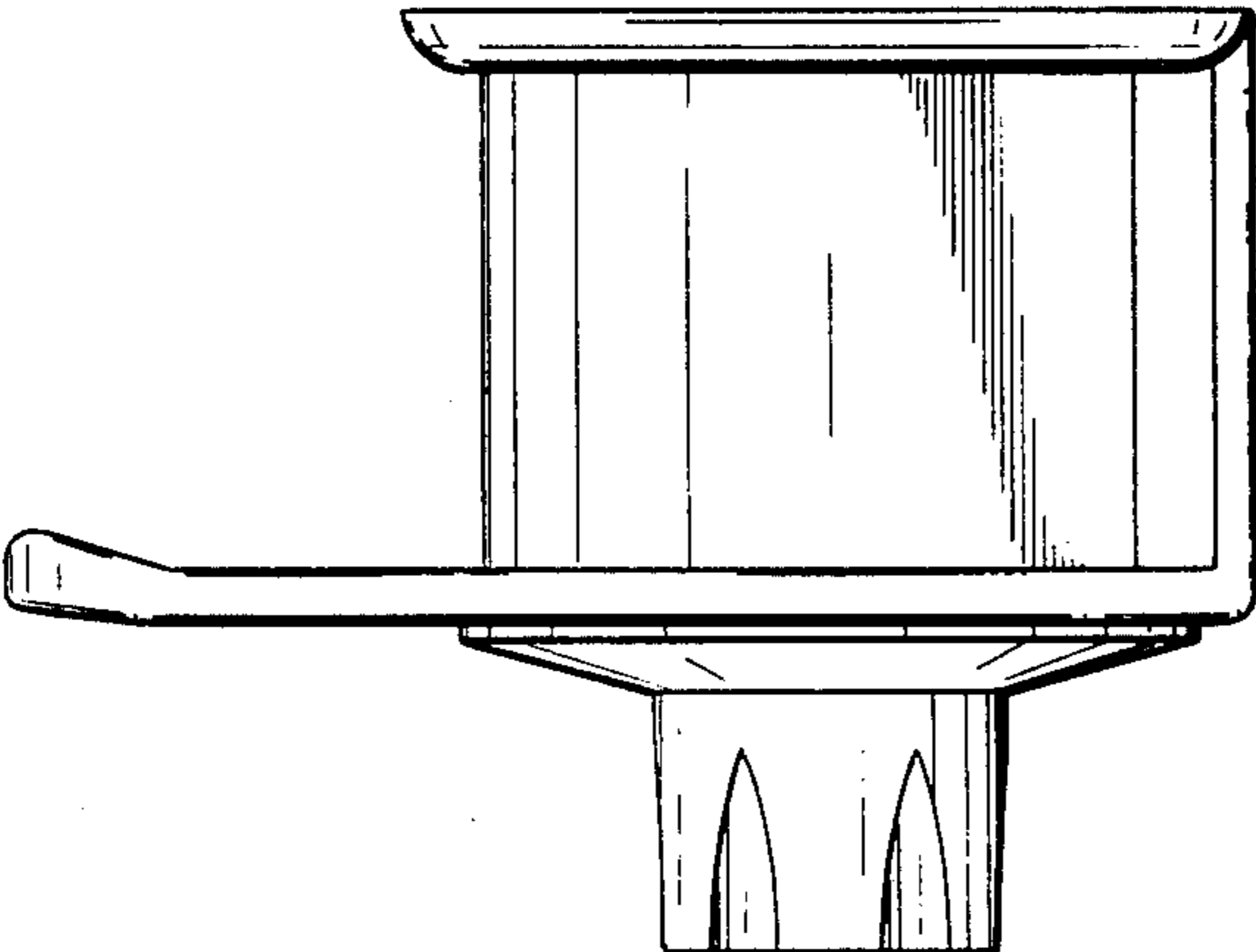


FIG. 5.