

United States Patent [19]

Stephen et al.

[11] Patent Number: **Des. 298,406**

[45] Date of Patent: **** Nov. 8, 1988**

[54] **WORKING SURFACE ATTACHMENT FOR A GRILL**

[75] Inventors: **James C. Stephen**, Arlington Heights; **James E. Tucker**, Batavia; **John Beecher, III**, Carpentersville, all of Ill.

[73] Assignee: **Weber-Stephen Products Co.**, Palatine, Ill.

[**] Term: **14 Years**

[21] Appl. No.: **888,716**

[22] Filed: **Jul. 24, 1986**

[52] U.S. Cl. **D7/402**

[58] Field of Search **D7/331-332, D7/334, 402-403, 37; 108/115, 117, 128, 47-48, 152, 156-157, 42, 80; 312/314; D6/555, 559, 560, 574; 211/149, 186, 196; 126/14, 25 R, 25 A, 25 AA, 25 B, 26, 29-30, 38, 9 R, 9 B, 41 R; 99/419, 421 R, 421 A, 421 HV, 421 V, 481, 393, 484, 339, 468**

[56] **References Cited**

U.S. PATENT DOCUMENTS

2,747,566 5/1956 Werden 126/25 R
2,768,042 10/1956 Persinger et al. 311/17

3,088,127 5/1963 Eames 108/48
4,155,609 5/1979 Skafte et al. 108/48
4,331,123 5/1982 Alles 126/9 R
4,688,541 8/1987 Stephen et al. 126/25 R

FOREIGN PATENT DOCUMENTS

769408 3/1957 United Kingdom 108/47

Primary Examiner—Wallace R. Burke
Assistant Examiner—Ruth Takemoto
Attorney, Agent, or Firm—Wallenstein Wagner Hattis & Strampel, Ltd.

[57] **CLAIM**

The ornamental design for a working surface attachment for a grill, as shown and described.

DESCRIPTION

FIG. 1 is a top perspective view of a work surface attachment for a grill showing our new design; FIG. 2 is a right end elevational view thereof; FIG. 3 is a left end elevational view thereof; FIG. 4 is a top plan view thereof; FIG. 5 is a side elevational view thereof, the opposite side being a mirror image; and, FIG. 6 is a bottom plan view thereof. The grill in FIG. 1 is shown in broken lines for illustrative purposes only and forms no part of the claimed design.

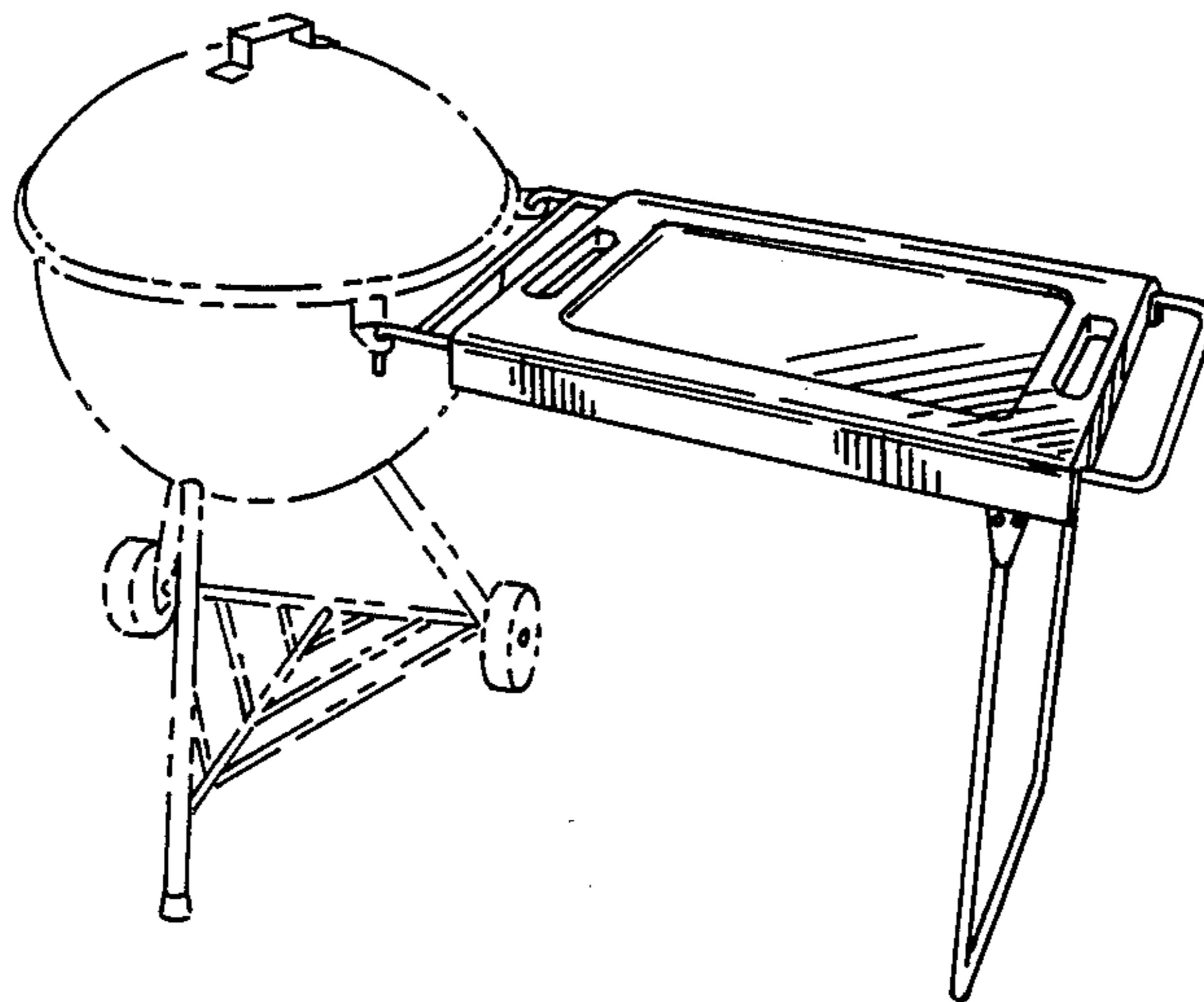


FIG. 1

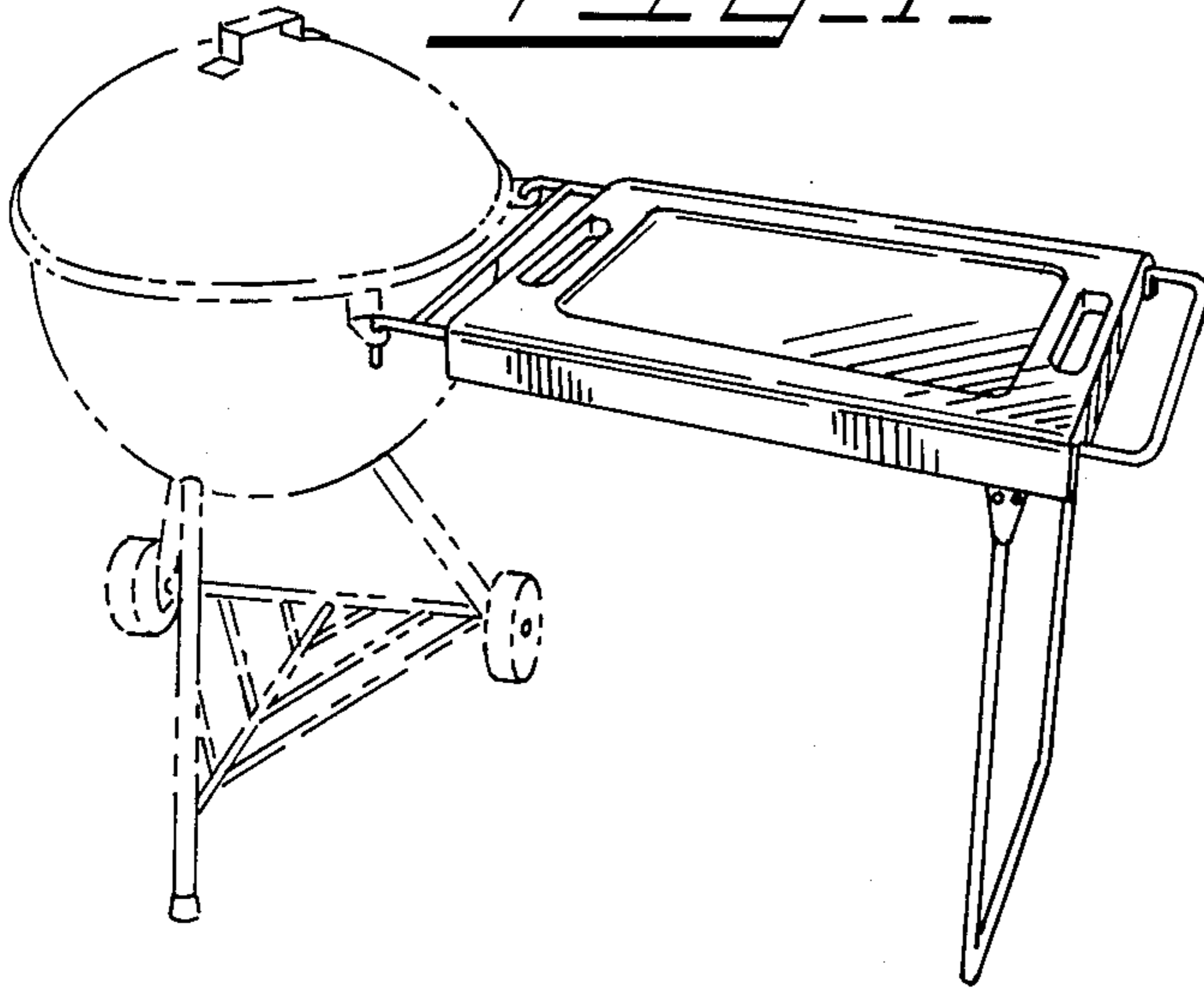


FIG. 2

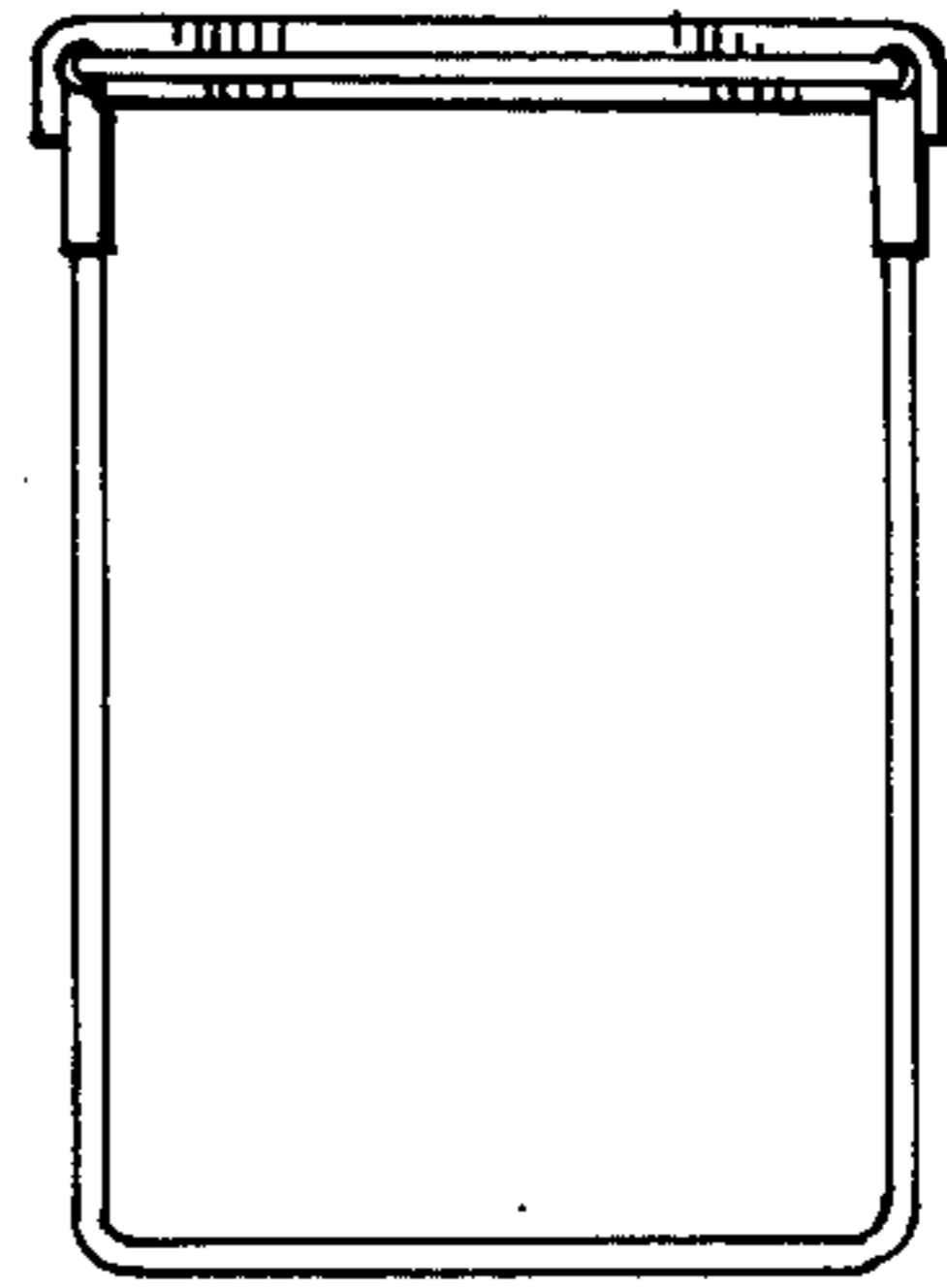


FIG. 4

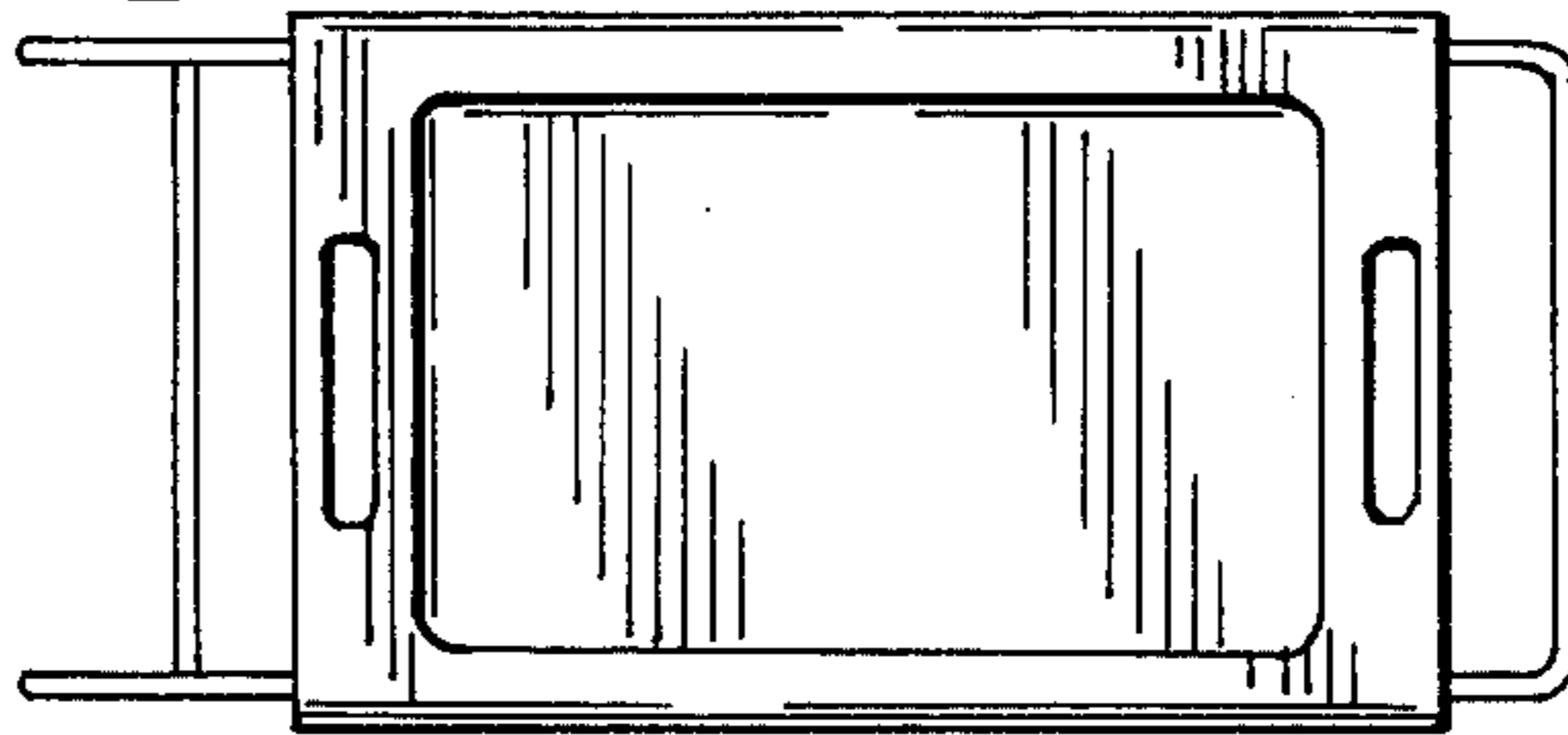


FIG. 3

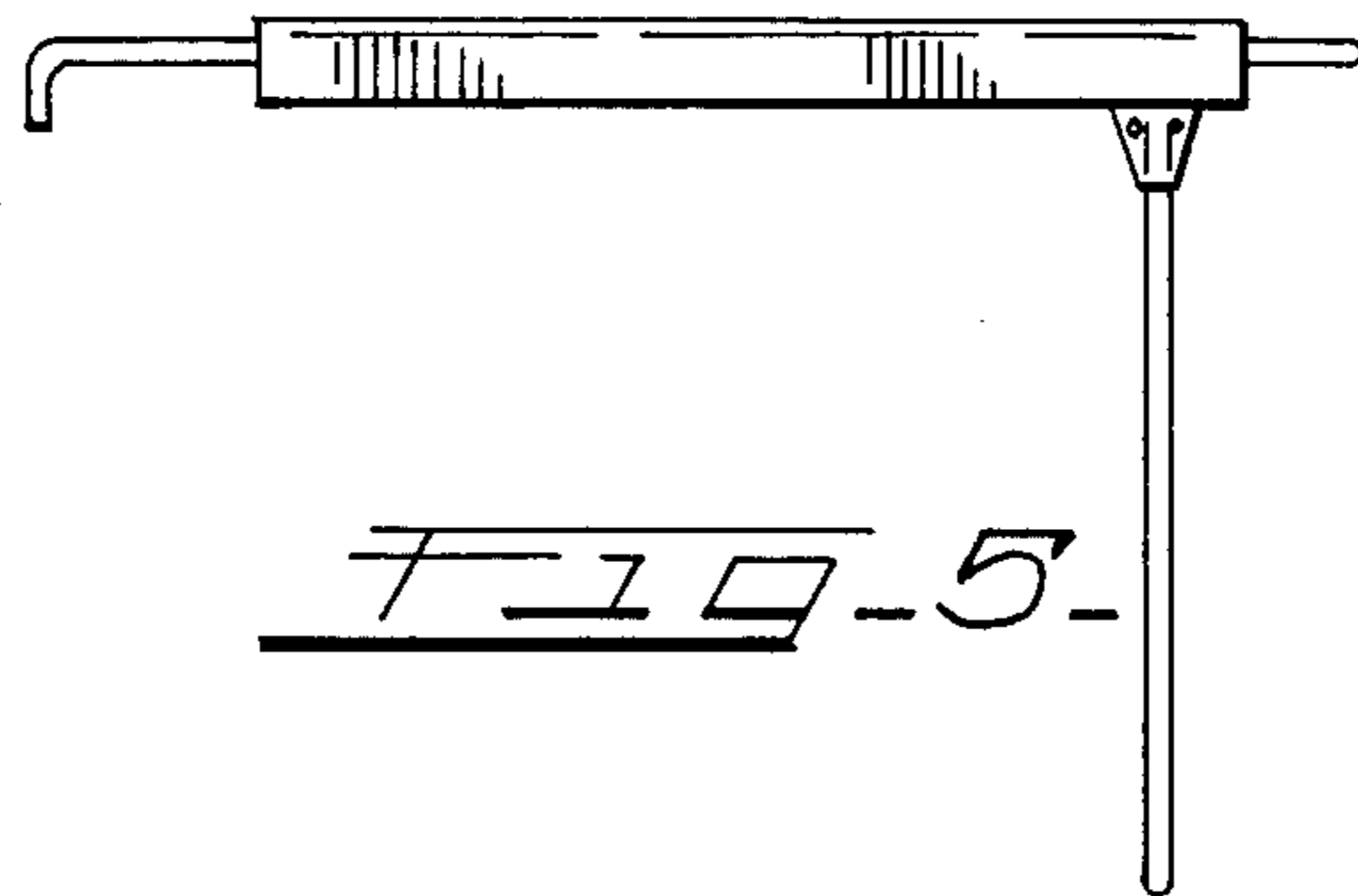
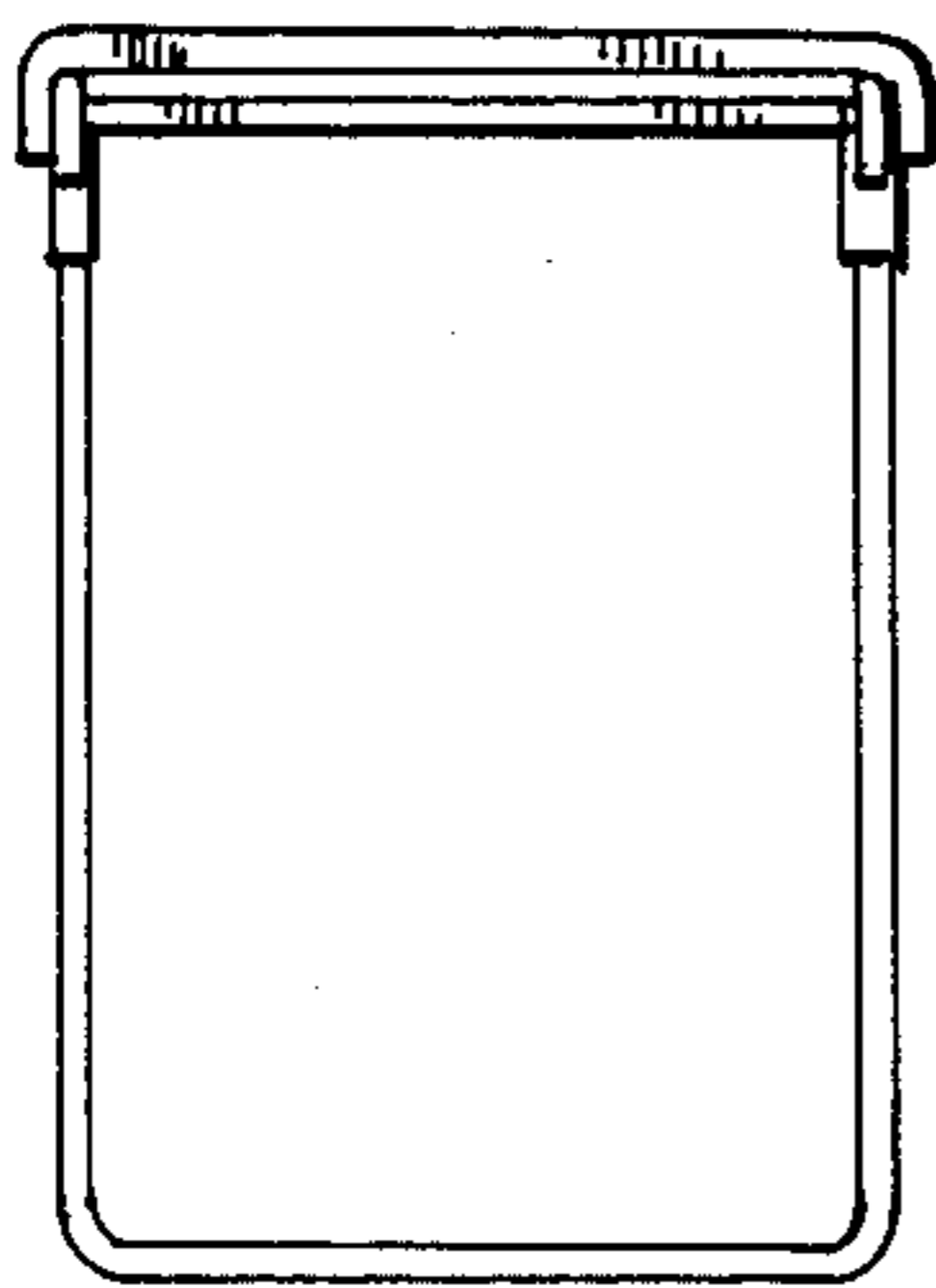


FIG. 5

FIG. 6

